

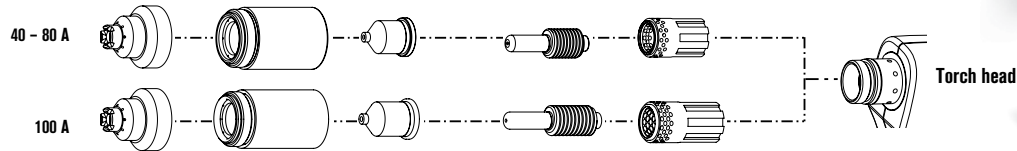
# Hypertherm®

## powermax1650™ G3 SERIES™

### T100 hand torch consumables

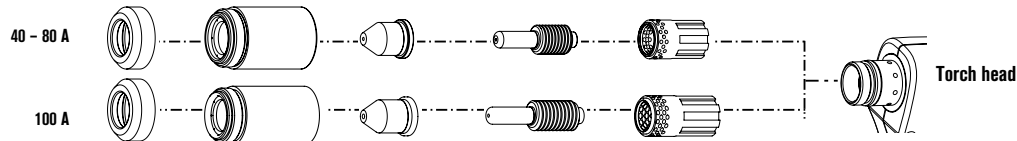


#### Shielded consumables



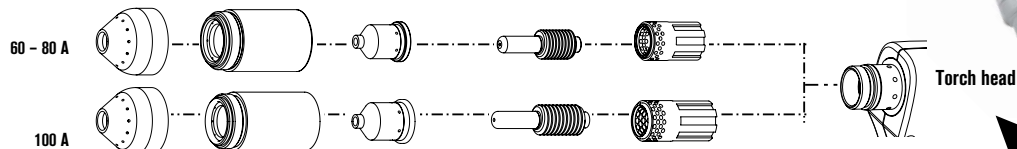
	Shield	Retaining cap	Nozzle	Electrode	Swirl ring
40 A	120929*	120928	120932*	120926*	120925
60 A	120929*	120928	120931*	120926*	120925
80 A	120929*	120928	120927*	120926*	120925
100 A	220065*	220048	220011*	220037*	220051

#### Unshielded\*\* consumables



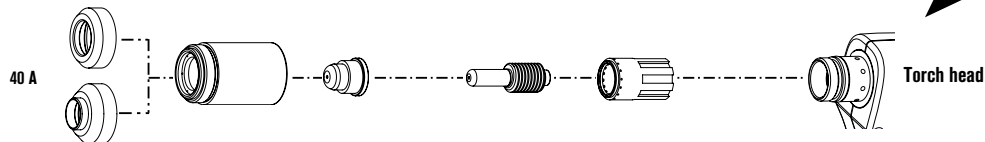
	Deflector	Retaining cap	Nozzle	Electrode	Swirl ring
40 A	120979	120928	220006	120926*	120925
60 A	120979	120928	220007	120926*	120925
80 A	120979	120928	120980	120926*	120925
100 A	120979	220048	220064	220037*	220051

#### Gouging consumables



	Shield	Retaining cap	Nozzle	Electrode	Swirl ring
60 - 80 A	120977	120928	220059	120926*	120925
100 A	120977	220048	220063	220037*	220051

#### FineCut consumables



	Deflector	Retaining cap	Nozzle	Electrode	Swirl ring
40 A	120979	120928	220329	120926*	220327
40 A CE***	220325	120928	220329	120926*	220327



**For improved performance, retrofit with a Duramax HRT (see page 83).**

All-in-one and FineCut kits available. Visit [www.hypertherm.com/consumablekits](http://www.hypertherm.com/consumablekits) or see pages 87 - 88 for options.

\* Consumables available in multiple packaging options, see page 87 for bulk package information.  
 \*\* In countries following CE standards, unshielded consumables may only be used in mechanized torch applications.  
 \*\*\* CE shield for use in countries requiring CE, CCC, GOST marks.

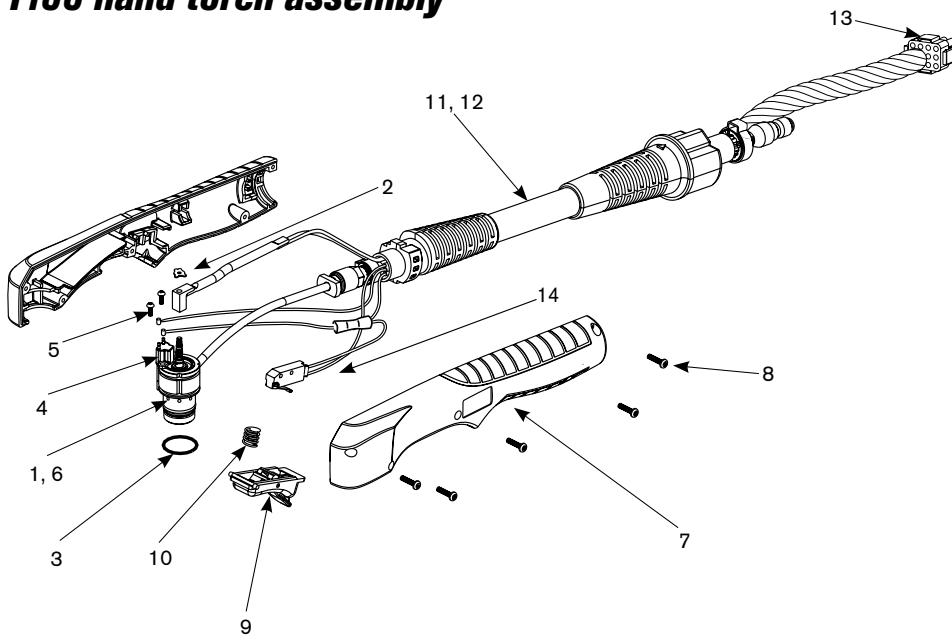
Hypertherm, Powermax, FineCut, Coaxial-assist and HyLife are trademarks of Hypertherm, Inc. and may be registered in the United States and/or other countries.

#### TECHNOLOGIES

**FineCut®**  
**Coaxial-assist™ jet**  
**Vented shield**  
**Spiral groove**  
**HyLife®**

# powermax1650<sup>®</sup>

## T100 hand torch assembly



### Assembly

Part number	Description
059264*	T100 hand torch assembly with 25' (7.6 m) leads
059270*	T100 hand torch assembly with 50' (15.2 m) leads
059299*	T100 hand torch assembly with 75' (22.9 m) leads
059309*	Test torch with 6' (1.8 m) leads
1. 128767	Kit: T100 torch main body replacement (does not include cap sensor)
2. 027889	Retaining clip
3. 058519	O-ring
4. 128639	Kit: Cap-off sensor replacement
5. 075571	Cap-off sensor screws
6. 128768	Kit: T100/T100M torch head repair (does not include head)
7. 128644	Kit: T100 torch handle replacement
8. 075714	Handle screws
9. 002244	Safety trigger
10. 027254	Trigger spring
11. 128755	Kit: T100 lead replacement, 25' (7.6 m)
12. 128752	Kit: T100 lead replacement, 50' (15.2 m)
13. 128772	Kit: ETR connector repair (regional repair centers only)
14. 128642	Kit: Start switch replacement
123654	Work lead with clamp, 20' (6.1 m)
123655	Work lead with clamp, 50' (15.2 m)

\*Assembly includes consumables

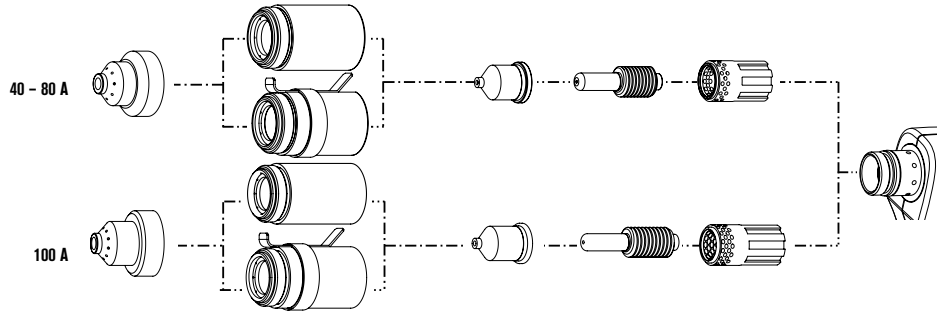


# Hypertherm®

## powermax1650™ G3 SERIES™

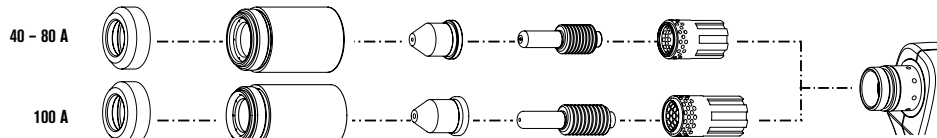
### T100M machine torch consumables

#### Shielded consumables



	Shield	Retaining cap	Nozzle	Electrode	Swirl ring
40 - 80 A	120930*	120928	120932*	120926*	120925
60 A	120930*	120928	120931*	120926*	120925
80 A	120930*	120928	120927*	120926*	120925
100 A	220047*	220048	220011*	220037*	220051
40 - 80 A Ohmic		220061			
100 A Ohmic		220206			

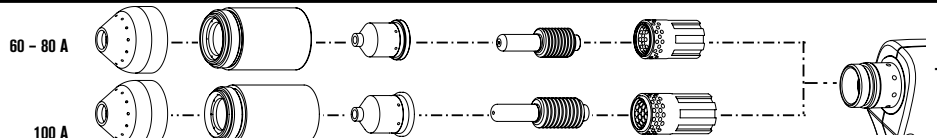
#### Unshielded consumables



	Deflector	Retaining cap	Nozzle	Electrode	Swirl ring
40 - 80 A	120979	120928	220006	120926*	120925
60 A	120979	120928	220007	120926*	120925
80 A	120979	120928	120980	120926*	120925
100 A	120979	220048	220064	220037*	220051



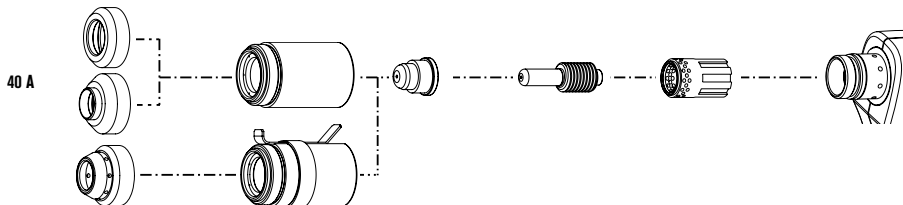
#### Gouging consumables



	Shield	Retaining cap	Nozzle	Electrode	Swirl ring
60 - 80 A	120977	120928	220059	120926*	120925
100 A	120977	220048	220063	220037*	220051



#### FineCut consumables



	Shield / Deflector	Retaining cap	Nozzle	Electrode	Swirl ring
40 A	120979	120928	220329	120926*	120925
40 A CE	220325	120928	220329	120926*	120925
Ohmic	220404	220061			

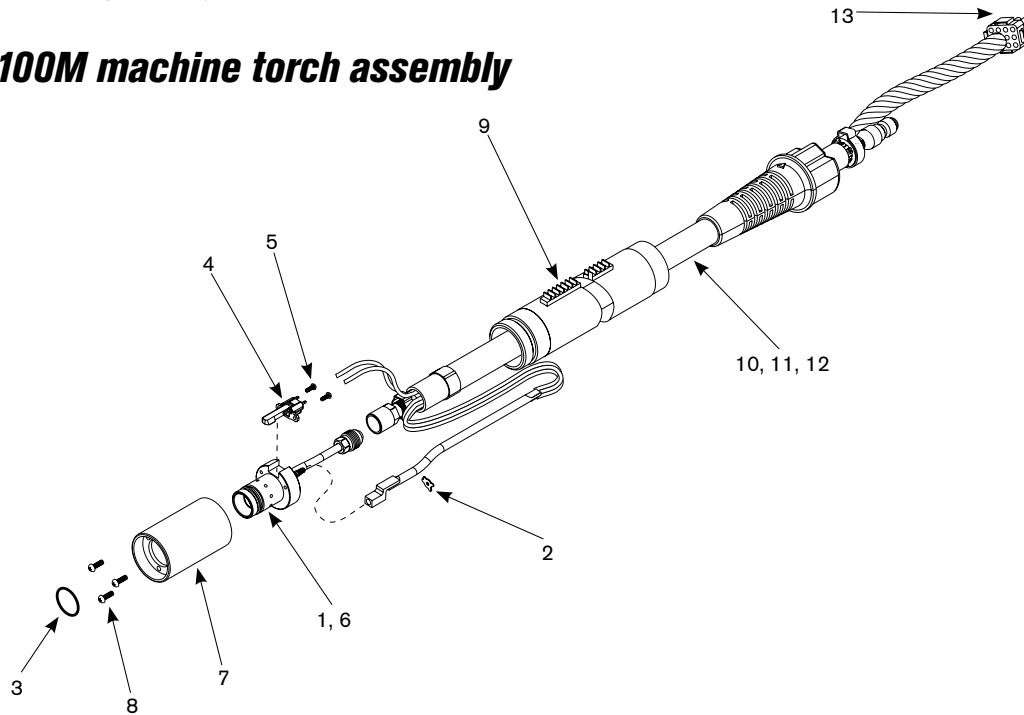
#### TECHNOLOGIES

**FineCut®**  
**Coaxial-assist™ jet**  
**Vented shield**  
**Spiral groove**  
**HyLife®**

\* Consumables available in multiple packaging options, see page 87 for bulk package information.

# powermax1650<sup>®</sup>

## T100M machine torch assembly



### Assembly

Part number	Description
059309*	Test torch with 6' (1.8 m) leads
1. 128754	Kit: T100M torch main body replacement (does not include cap sensor)
2. 027889	Retaining clip
3. 058519	O-ring
4. 128639	Kit: Cap sensor switch replacement
5. 075571	Cap-off sensor screws
6. 128768	Kit: T100/T100M torch head repair (does not include head)
7. 128643	Kit: T100M mounting sleeve replacement
8. 075004	Torch mounting screws
9. 128710	Torch positioning sleeve
10. 128753	Kit: T100/T100M lead replacement, 25' (7.6 m)
11. 128751	Kit: T100/T100M lead replacement, 35' (10.7 m)
12. 128759	Kit: T100/T100M lead replacement, 50' (15.2 m)
13. 128772	Kit: ETR connector repair (regional repair centers only)
128645	Kit: Torch mounting (for reassembly after installation)
128650	On/Off pendant for machine torch, 25' (7.6 m)
128651	On/Off pendant for machine torch, 50' (15.2 m)
128652	On/Off pendant for machine torch, 75' (22.9 m)
123654	Work lead with clamp, 20' (6.1 m)
123655	Work lead with clamp, 50' (15.2 m)

\*Assembly includes consumables

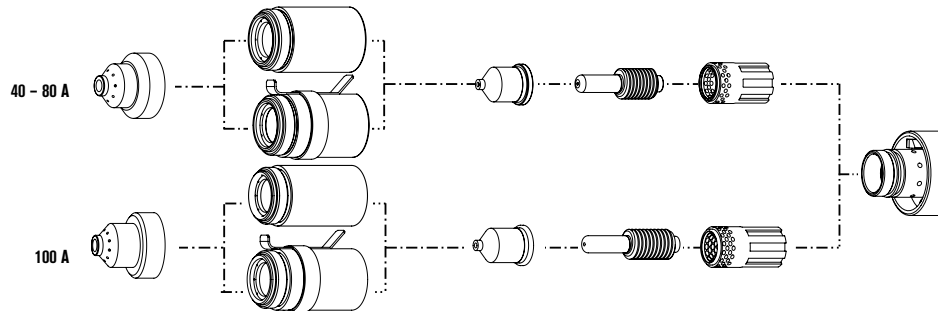


# Hypertherm®

## powermax1650™ G3 SERIES™

### T100M-2 machine torch consumables

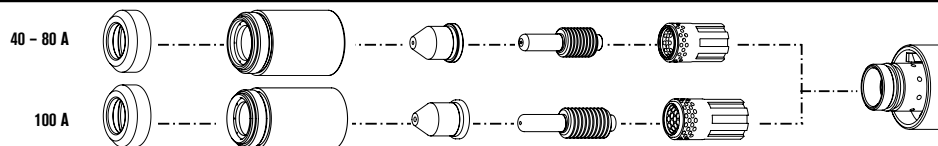
#### Shielded consumables



	Shield	Retaining cap	Nozzle	Electrode	Swirl ring
40 - 80 A	120930*	120928	120932*	120926*	120925
60 A	120930*	120928	120931*	120926*	120925
80 A	120930*	120928	120927*	120926*	120925
100 A	220047*	220048	220011*	220037*	220051
40 - 80 A Ohmic		220061			
100 A Ohmic		220206			



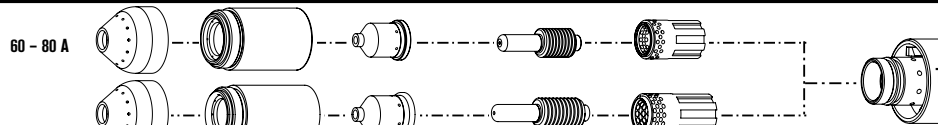
#### Unshielded\* consumables



	Deflector	Retaining cap	Nozzle	Electrode	Swirl ring
40 - 80 A	120979	120928	220006	120926*	120925
60 A	120979	120928	220007	120926*	120925
80 A	120979	120928	120980	120926*	120925
100 A	120979	220048	220064	220037*	220051



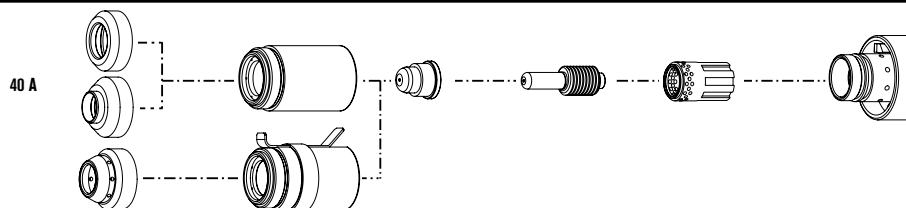
#### Gouging consumables



	Shield	Retaining cap	Nozzle	Electrode	Swirl ring
60 - 80 A	120977	120928	220059	120926*	120925
100 A	120977	220048	220063	220037*	220051



#### FineCut consumables



	Shield / Deflector	Retaining cap	Nozzle	Electrode	Swirl ring
40 A	120979	120928	220329	120926*	120925
40 A CE	220325	120928	220329	120926*	120925
Ohmic	220404	220061			

#### TECHNOLOGIES

**FineCut®**  
**Coaxial-assist™ jet**  
**Vented shield**  
**Spiral groove**  
**HyLife®**

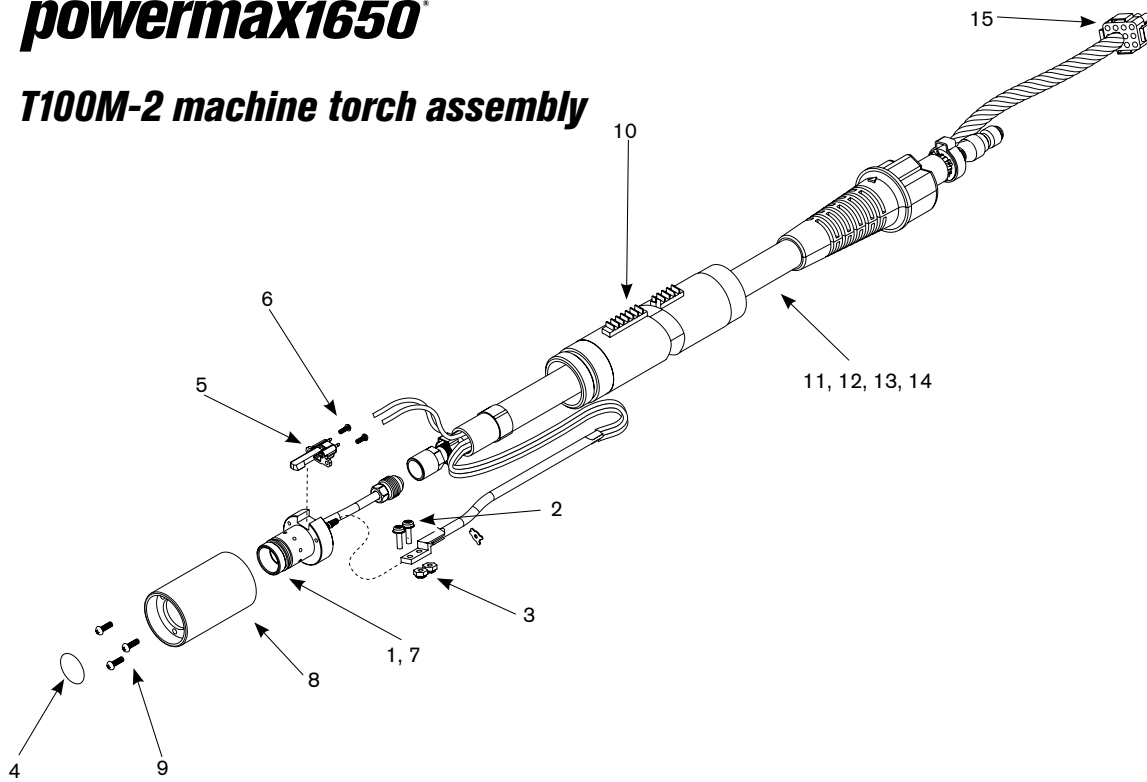
\* Consumables available in multiple packaging options, see page 87 for bulk package information.

\*\* In countries following CE standards, unshielded consumables may only be used in mechanized torch applications.

Hypertherm, Powermax, FineCut, Coaxial-assist and HyLife are trademarks of Hypertherm, Inc. and may be registered in the United States and/or other countries.

# powermax1650<sup>®</sup>

## T100M-2 machine torch assembly



### Assembly

Part number	Description
059315*	T100M-2 machine torch assembly with 25' (7.6 m) leads
059324*	T100M-2 machine torch assembly with 35' (10.7 m) leads
059325*	T100M-2 machine torch assembly with 50' (15.2 m) leads
059326*	T100M-2 machine torch assembly with 75' (22.9 m) leads
1. 228523	Kit: T100M-2 torch main body replacement (does not include cap sensor)
2. 075473	Machine screws
3. 075503	Lock nuts
4. 058519	O-ring
5. 128639	Kit: Cap-off sensor replacement
6. 075571	Cap-off sensor screws
7. 228522	Kit: T100M-2 torch head repair
8. 128643	Kit: Torch mounting sleeve replacement
9. 075004	Torch mounting screws
10. 128710	Torch positioning sleeve
11. 228222	Kit: T100M-2 lead replacement, 25' (7.6 m)
12. 228223	Kit: T100M-2 lead replacement, 35' (10.7 m)
13. 228224	Kit: T100M-2 lead replacement, 50' (15.2 m)
14. 228225	Kit: T100M-2 lead replacement, 75' (22.9 m)
15. 128772	Kit: ETR connector repair (regional repair centers only)
128645	Kit: Torch mounting (for reassembly after installation)

\*Assembly includes consumables

