

MIG/MAG Welding Torch System

ROBO WH 455 D
ROBO WHPP 455 D
liquid cooled



BINZEL. The right welding torch for every job.

The welding torches belonging to this range of products are used for automatic arc-gas welding using both inert and active gases. They have a universal application and are suitable for all welding positions.

The standard unit is a water-cooled neck either straight or with a 22° or 45° bend with WH torch body, cable assembly with integral airblast hose and central adaptor for connection to the machine.

Technical data (EN 50 078):

Quick Change Neck WH 455 D

Rating: 450 A CO₂
400 A mixed gases M21 (DIN 32 562)
100% duty cycle

Wire sizes: 0.8-1.6 mm

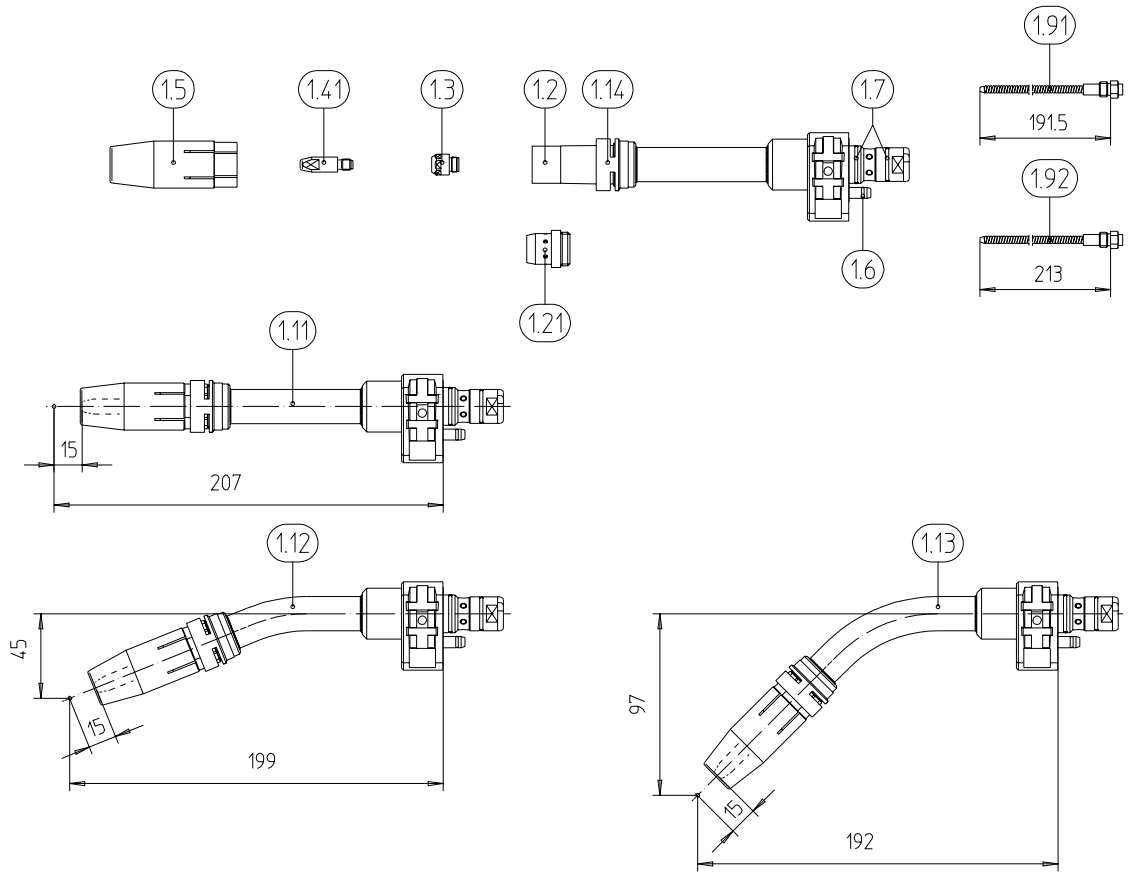
Motor: up to 42 V DC

Gearbox: i=17, 1:1 standard, different motor/gearboxes to special order

When pulse welding, reduce rating by 35%.

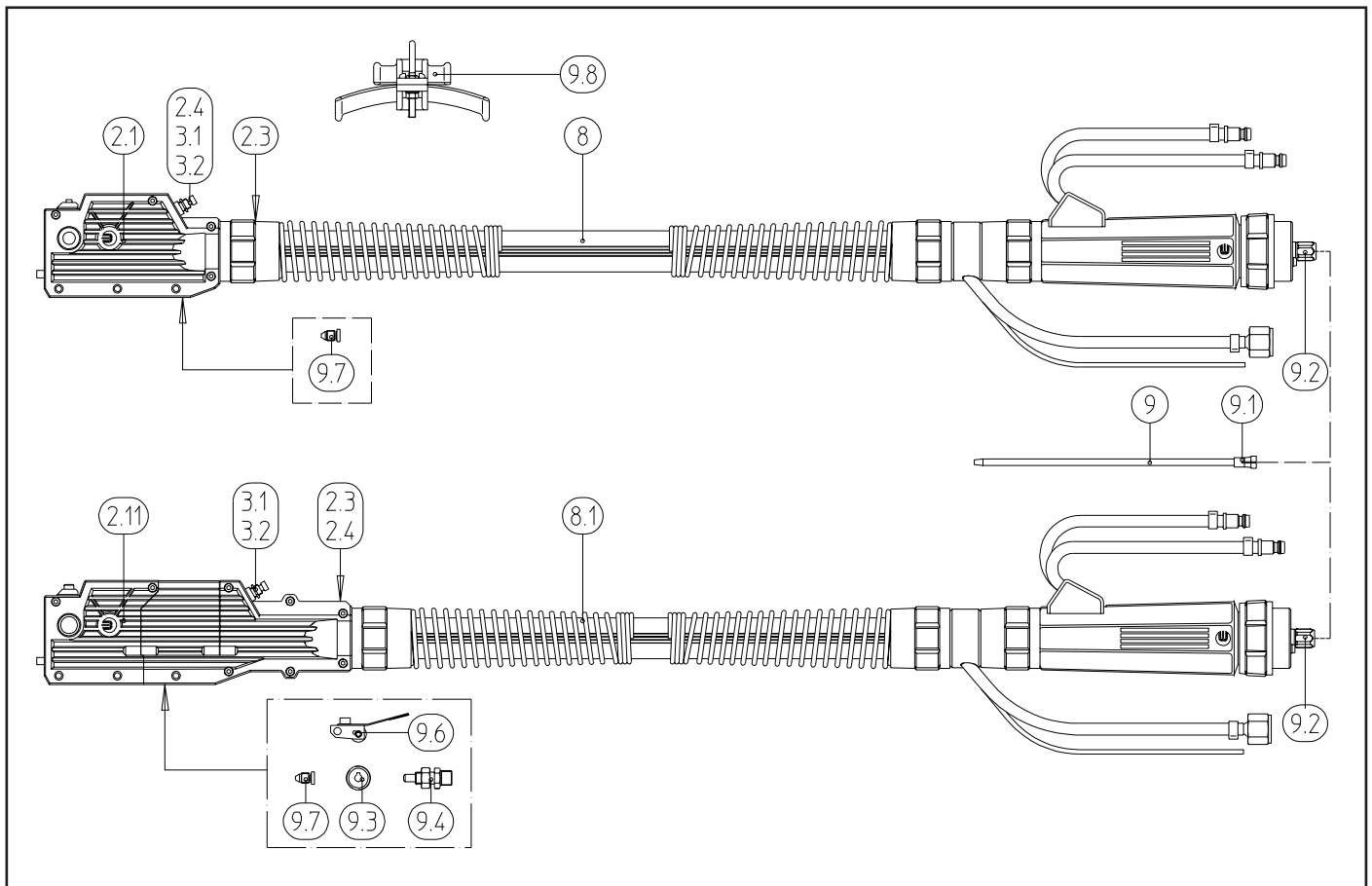
Welding & cutting brought to the point.





Build group	Pos.	Description	Specifications	Order-no.
Quick Change Neck	1.11	Swan neck ROBO WH 455 D, straight		962.0767
		Swan neck ROBO WH 455 D, sensor, straight		962.0832
	1.12	Swan neck ROBO WH 455 D, 22°		962.0768
		Swan neck ROBO WH 455 D, sensor, 22°		962.0833
	1.13	Swan neck ROBO WH 455 D, 45°		962.0769
	Swan neck ROBO WH 455 D, sensor, 45°		962.0834	
	1.14	Nozzle clamping ring		940.0019
Wear parts	1.2	Nozzle insulator (standard)	10 pcs.	146.0054
		Nozzle insulator high heat resistant	10 pcs.	146.0059
	1.21	Gas diffusor	10 pcs.	943.0170
	1.3	Tip adaptor M6-Bi 8/24, 13 mm		142.0123
		Tip adaptor M8-Bi 8/24, 13 mm		142.0122
	1.41	Contact tip M6 CuCrZr, Ø 0.8, 28 mm	10 pcs.	140.0054
		Contact tip M6 CuCrZr, Ø 0.9, 28 mm	10 pcs.	140.0172
		Contact tip M6 CuCrZr, Ø 1.0, 28 mm	10 pcs.	140.0245
		Contact tip M6 CuCrZr, Ø 1.2, 28 mm	10 pcs.	140.0382
		Contact tip M6 CuCrZr, Ø 1.4, 28 mm	10 pcs.	140.0519
		Contact tip M6 CuCrZr, Ø 1.6, 28 mm	10 pcs.	140.0558
		Contact tip M6 E-Cu, Ø 0.8 for alu. wire, 28 mm	10 pcs.	141.0001
		Contact tip M6 E-Cu, Ø 1.0 for alu. wire, 28 mm	10 pcs.	141.0006
		Contact tip M6 E-Cu, Ø 1.2 for alu. wire, 28 mm	10 pcs.	141.0010
		Contact tip M6 E-Cu, Ø 1.4 for alu. wire, 28 mm	10 pcs.	141.0019
	Contact tip M6 E-Cu, Ø 1.6 for alu. wire, 28 mm	10 pcs.	141.0020	

Subject to change without notice. Guarantee for Genuine Binzel Spares only.



Build group	Pos.	Description	Specifications	Order-no.	
Wear parts	1.42	Contact tip M8 CuCrZr, Ø 0.8, 30 mm	10 pcs.	140.0117	
		Contact tip M8 CuCrZr, Ø 0.9, 30 mm	10 pcs.	140.0217	
		Contact tip M8 CuCrZr, Ø 1.0, 30 mm	10 pcs.	140.0316	
		Contact tip M8 CuCrZr, Ø 1.2, 30 mm	10 pcs.	140.0445	
		Contact tip M8 CuCrZr, Ø 1.4, 30 mm	10 pcs.	140.0536	
		Contact tip M8 CuCrZr, Ø 1.6, 30 mm	10 pcs.	140.0590	
		Contact tip M8 E-Cu, Ø 0.8 for alu. wire, 30 mm	10 pcs.	141.0003	
		Contact tip M8 E-Cu, Ø 1.0 for alu. wire, 30 mm	10 pcs.	141.0008	
		Contact tip M8 E-Cu, Ø 1.2 for alu. wire, 30 mm	10 pcs.	141.0015	
		Contact tip M8 E-Cu, Ø 1.4 for alu. wire, 30 mm	10 pcs.	141.0055	
		Contact tip M8 E-Cu, Ø 1.6 for alu. wire, 30 mm	10 pcs.	141.0022	
		1.5	Gas nozzle NW 15.5, conical, 67.5 mm	10 pcs.	145.0089
			Gas nozzle NW 15.5, conical, 64.5 mm	10 pcs.	145.0106
		Gas nozzle NW 15.5, conical, 61.5 mm	10 pcs.	145.0115	
		Gas nozzle NW 13.0, conical, 67.5 mm	10 pcs.	145.0134	
		Gas nozzle NW 13.0, conical, 64.5 mm	10 pcs.	145.0140	
		Gas nozzle NW 15.5, bottle form, 67.5 mm	10 pcs.	145.0164	
		Gas nozzle NW 13.0, bottle form, 67.5 mm	10 pcs.	145.0167	
Component parts	1.6	O-ring 3.5 x 1.2 mm	20 pcs.	165.0062	
	1.7	O-ring 15.0 x 1.5 mm	20 pcs.	165.0015	
	1.91	Neck liner for steel wire Ø 0.8 - 0.9 mm, straight / 22°		962.0815	
		Neck liner for steel wire Ø 1.0 - 1.2 mm, straight / 22°		962.0781	
		Neck liner for steel wire Ø 1.4 - 1.6 mm, straight / 22°		962.0816	
	Neck liner for alu. wire Ø 0.8 - 1.0 mm, straight / 22°		962.0817		

Build group	Pos.	Description	Specifications	Order-no.
Component parts		Neck liner for alu. wire Ø 1.2 - 1.6 mm, straight / 22°		962.0818
	w/o. fig.	Neck Liner BPLpetrol for alu. wire Ø 0.8 - 1.2 mm, straight / 22°		962.0944
		Neck Liner BPLpetrol for alu. wire Ø 1.4 - 1.6 mm, straight / 22°		962.1014
	1.92	Neck liner for steel wire Ø 0.8 - 0.9 mm, 45°		962.0819
		Neck liner for steel wire Ø 1.0 - 1.2 mm, 45°		962.0782
		Neck liner for steel wire Ø 1.4 - 1.6 mm, 45°		962.0820
		Neck liner for alu. wire Ø 0.8 - 1.0 mm, 45°		962.0821
		Neck liner for alu. wire Ø 1.2 - 1.6 mm, 45°		962.0822
	w/o. fig.	Neck Liner BPLpetrol for alu. wire Ø 0.8 - 1.2 mm, 45°		962.0945
		Neck Liner BPLpetrol for alu. wire Ø 1.4 - 1.6 mm, 45°		962.1015
Cable assembly ROBO WH and ROBO WHPP	2.1	Housing ROBO-WH body cpl.		960.0003
	2.11	Housing ROBO-WHPP body cpl.		961.0003
	2.3	Cable support connector		960.0022
	2.4	Panel mounted socket, 3-pole		175.0051
	w/o. fig.	Component-WH, consisting of: manuel neck change tool, screw M3x10 (6 pcs.), grease, silicon free (10g)		960.0150
		Component-WHPP, consisting of: manuel neck change tool, screw M3x10 (6 pcs.), grease, silicon free (10g), fuse incl. housing		961.0226
	3.1	Wire inch push button switch		185.0024
	3.2	Cap		185.0035
	8	Cable assembly cpl. WH, 1.00 m	liquid cooled	964.2119
		Cable assembly cpl. WH, 1.20 m	liquid cooled	964.2120
		Cable assembly cpl. WH, 1.50 m	liquid cooled	964.2121
		Cable assembly cpl. WH, 2.00 m	liquid cooled	964.2122
		Cable assembly cpl. WH, 2.50 m	liquid cooled	964.2123
		Cable assembly cpl. WH, 3.00 m	liquid cooled	964.2124
	8.1	Cable assembly cpl. WHPP, 2.00 m	liquid cooled	964.3122
		Cable assembly cpl. WHPP, 3.00 m	liquid cooled	964.3124
		Cable assembly cpl. WHPP, 4.00 m	liquid cooled	964.3125
	9.1	Collet for core liner, Ø 4.0 mm	20 pcs.	131.0001
	9.2	Nut M10x1	10 pcs.	501.0082
		O-ring Ø 3.5 x 1.5 mm	20 pcs.	165.0008
	Guide tube for liner ≤ Ø 4.0 mm	200 mm	129.0461	
9.3	Drive Roll for Ø 0.8 mm alu. wire		961.0017	
	Drive Roll for Ø 1.0 mm alu. wire		961.0018	
	Drive Roll for Ø 1.2 mm alu. wire		961.0019	
	Drive Roll for Ø 1.4 mm alu. wire		961.0058	
	Drive Roll for Ø 1.6 mm alu. wire		961.0020	

Build group	Pos.	Description	Specifications	Order-no.	
Cable assembly ROBO WH and ROBO WHPP		Universal Drive Roll for Ø 0.6 mm		961.0268	
		Universal Drive Roll for Ø 0.8 mm		961.0269	
		Universal Drive Roll for Ø 0.9 mm		961.0270	
		Universal Drive Roll for Ø 1.0 mm		961.0227	
		Universal Drive Roll for Ø 1.2 mm		961.0228	
		Universal Drive Roll for Ø 1.4 mm		961.0279	
		Universal Drive Roll for Ø 1.6 mm		961.0267	
	9.4	Inlet guide insulated		961.0238	
	9.6	Pressure roll cpl.		961.0010	
	9.7	Outlet guide insulated		960.0151	
Guide spiral liner / core liner	9	Guide spiral liner blank 1.5/4.0 with collet	for 3.00 m	122.0005	
		Guide spiral liner blank 1.5/4.0 with collet	for 5.00 m	122.0009	
		Guide spiral liner blank 2.0/4.5 with collet	for 3.00 m	122.0031	
		Guide spiral liner blank 2.0/4.5 with collet	for 5.00 m	122.0039	
		Teflon core liner 1.5/4.0 blue with collet and o-ring	for 3.00 m	126.0005	
		Teflon core liner 1.5/4.0 blue with collet and o-ring	for 5.00 m	126.0011	
		Teflon core liner 2.0/4.0 red with collet and o-ring	for 3.00 m	126.0021	
		Teflon core liner 2.0/4.0 red with collet and o-ring	for 5.00 m	126.0028	
		Carbon Teflon core liner 1.5/4.0 with collet and o-ring	for 3.00 m	127.0002	
		Carbon Teflon core liner 1.5/4.0 with collet and o-ring	for 5.00 m	127.0004	
		Carbon Teflon core liner 2.0/4.0 with collet and o-ring	for 3.00 m	127.0005	
		Carbon Teflon core liner 2.0/4.0 with collet and o-ring	for 5.00 m	127.0008	
		Polyamid core liner 2.0/4.0 with collet and o-ring	for 3.00 m	128.0012	
		Polyamid core liner 2.0/4.0 with collet and o-ring	for 5.00 m	128.0016	
	Accessories	9.8	Cable hanger		191.0039
			w/o. fig. Alignment jig WH 455 D		837.0020
			Programming tip M6; TCP 15 mm		837.0107
			Programming tip M8; TCP 15 mm		837.0108
		Spanner	10 pcs.	191.0001	
		Sharpener for plastic liner		191.0064	
		Hose cutter		191.0062	
		Blades for hose cutter		191.0063	

Order information

We recommend that with the initial order for each cable assembly, two torch necks are purchased. Only with a spare neck can downtime associated with consumable servicing be kept to a minimum. It is also advisable to check each neck in the appropriate alignment jig before use.

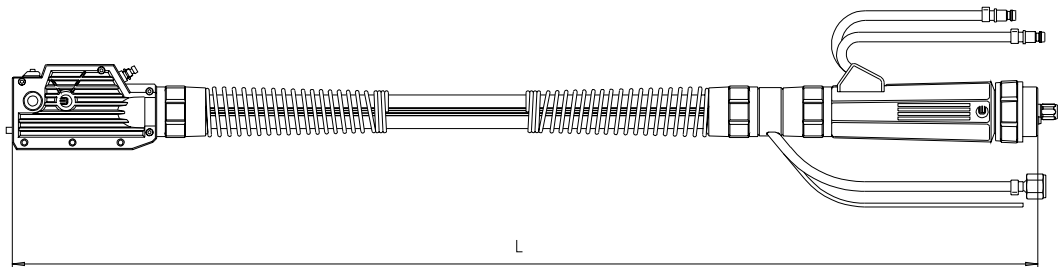
Control cable is supplied without connector, wire inching is realized by the 10-pol control cable.

When ordering ROBO WH 455 D or ROBO WHPP 455 D, please specify:

- wire material
- wire diameter
- length of cable assembly

Additional declaration for ROBO WHPP 455 D:

- details of wire feeder
- manufacturer
- date of construction
- type
- special features



Overall length L=3.15 m, with 3.0 m ROBO WH cable assembly

Overall length L=3.20 m, with 3.0 m ROBO WHPP cable assembly

Attaching the cable assembly to the robot

To ensure that the cable assembly is securely attached to the robot, please use the BINZEL ATS-CAT torch mount with suitable extensions and brackets to meet your TCP requirements.

Welding & cutting brought to the point.



Alexander Binzel Schweisstechnik GmbH & Co. KG
Postfach 10 01 53 · D-35331 Gießen
Tel.: ++49 (0) 64 08 / 59-0
Fax: ++49 (0) 64 08 / 59-141
Internet: www.binzel-abicor.com