

# Spare Parts List MIG/MAG

## 2015 / 2016





# Content

■ MIG/MAG Welding Torches "MB ERGO" air and liquid cooled (up to 550 A) <b>MB ERGO 15 AK / 15 AK FX / 24 KD / 25 AK / 25 AK FX / 26 KD / 36 KD / 240 D / 401 / 401 D / 501 / 501 D</b>	Chapter	1
■ MIG/MAG Welding Torches "MB GRIP" air and liquid cooled (up to 550 A) <b>MB GRIP 15 AK / 25 AK / 24 KD / 26 KD / 36 KD / 240 D / 401 D / 401 / 501 / 501 D</b>	Chapter	2
■ MIG/MAG Welding Torches "ABIMIG® GRIP A" air cooled (up to 430 A) <b>ABIMIG® GRIP A 155 LW / 255 LW / 305 LW / 355 LW / 405 LW</b>	Chapter	3
■ MIG/MAG Welding Torches "ABIMIG® A T LW" air cooled (up to 400 A) <b>ABIMIG® A T 155 LW / 255 LW / 305 LW / 355 LW / 405 LW</b>	Chapter	4
■ MIG/MAG Welding Torches "ABIMIG® GRIP W" liquid cooled (up to 625 A) <b>ABIMIG® GRIP W 555 D / 555 D TS / 555 / 605 / 605 D / 605 C</b>	Chapter	5
■ MIG/MAG Welding Torches "ABIMIG®" liquid cooled (up to 600 A) <b>ABIMIG® 645 W</b>	Chapter	6
■ MIG/MAG Machine Welding Torches air and liquid cooled <b>AUT / ABIMIG® MT</b>	Chapter	7
■ MIG/MAG Welding Torches "Push-Pull Plus" air and liquid cooled (up to 350 A) <b>PP Plus 36 D / 240 D / 401 D</b>	Chapter	8
■ MIG/MAG Fume Extraction Torches "RAB GRIP" air and liquid cooled (up to 550 A) <b>RAB GRIP 15 AK / 24 KD / 25 AK / 36 KD / 240 D / 501 / 501 D</b>	Chapter	9
■ Fume Extraction System <b>FES-200 / FES-200 W3</b>	Chapter	10
■ Handles and control modules <b>MB GRIP / ABIMIG® GRIP / ABIMIG® A T LW / RAB GRIP</b>	Chapter	11
■ Central adaptor and central connector system	Chapter	12
■ Spare Part List (numeric)	Chapter	13
■ Standard Terms and Conditions of Deliveries and Services	Chapter	14





## MIG/MAG Welding Torches

# MB ERGO

## air and liquid cooled

### “The robust quality classics”

The MIG/MAG torch series “MB” is available in air and liquid cooled variants and combines progressive technology and quality, enabling trouble-free operation for every application. All torches are thoroughly designed to provide comfortable and precise operation.

- Worldwide recognized top quality
- Ergonomically and technically mature and 100 % reliable
- Optimum cooling of the torch – extending torch life
- Time-saving torch changeover due to the ABICOR BINZEL central adaptor system



### Technical data (EN 60 974-7)

#### MIG/MAG Welding Torches “MB ERGO” (air cooled)

Type	Rating (A)		Duty cycle (%)	Wire size (mm)
	CO <sub>2</sub>	Mixed gases M21		
<b>MB ERGO 15 AK / AK-FX</b>	180	150	60	0.6-1.0
<b>MB ERGO 24 KD</b>	250	220	35	0.8-1.2
<b>MB ERGO 25 AK / AK-FX</b>	230	200	60	0.8-1.2
<b>MB ERGO 26 KD</b>	230	200	35	0.8-1.2
<b>MB ERGO 36 KD</b>	300	270	60	0.8-1.2

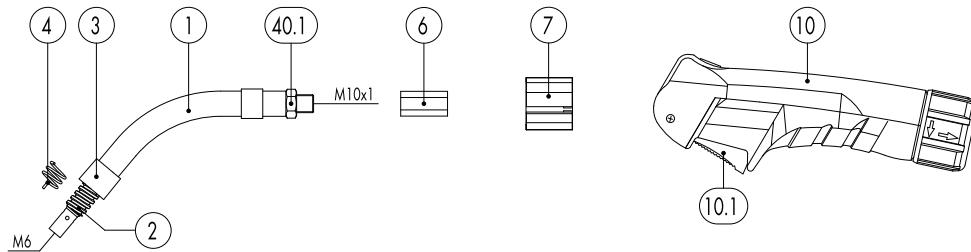
FX=flexible. Subject to change without notice.

#### MIG/MAG Welding Torches “MB ERGO” (liquid cooled)

Type	Rating (A)		Duty cycle (%)	Wire size (mm)
	CO <sub>2</sub>	Mixed gases M21		
<b>MB ERGO 240 D</b>	300	270	100	0.8-1.2
<b>MB ERGO 401</b>	450	400	100	0.8-1.2
<b>MB ERGO 401 D</b>	400	350	100	0.8-1.2
<b>MB ERGO 501</b>	550	500	100	1.0-1.6
<b>MB ERGO 501 D</b>	500	450	100	1.0-1.6

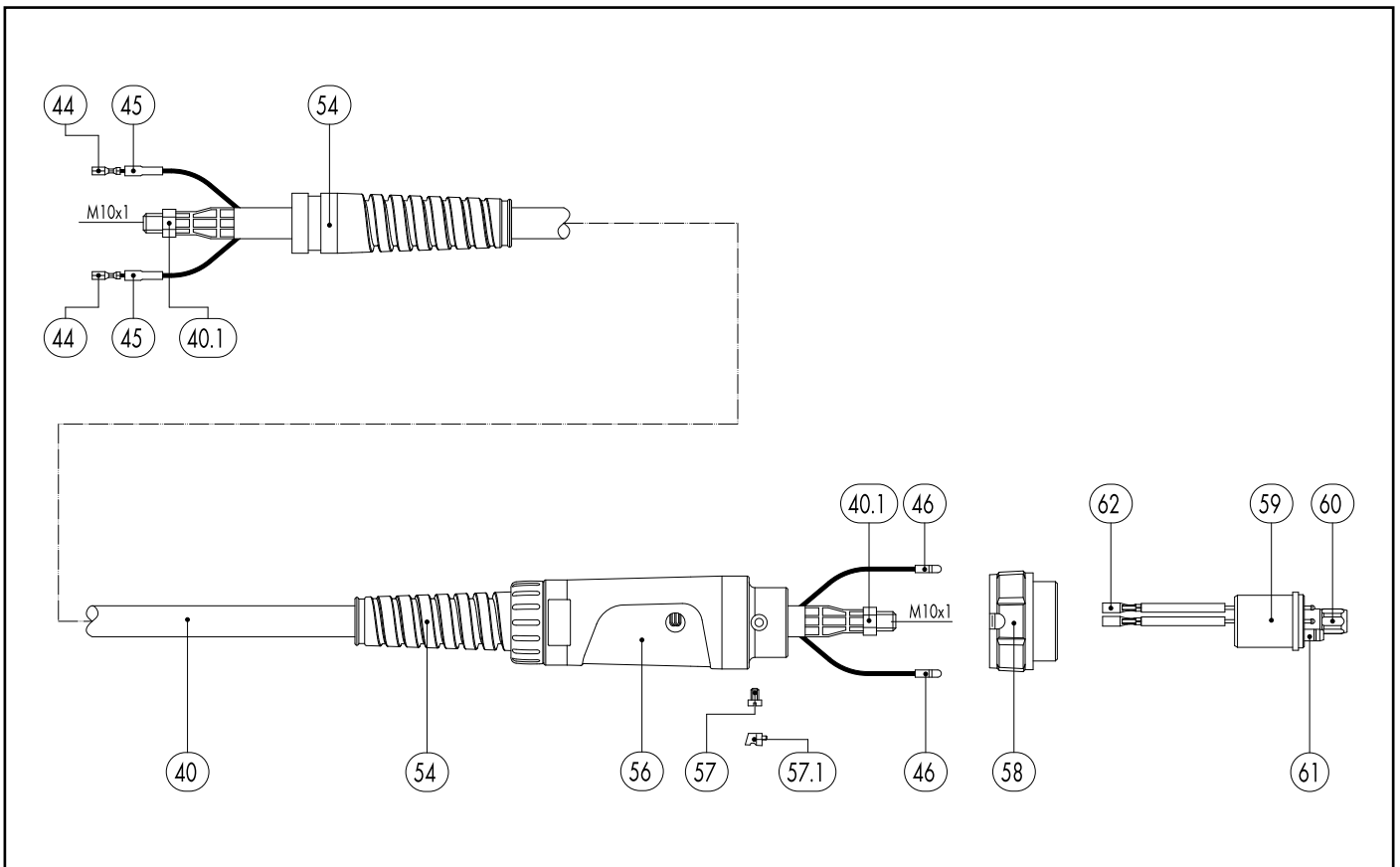
Subject to change without notice.

# MIG/MAG Welding Torches MB ERGO 15 AK



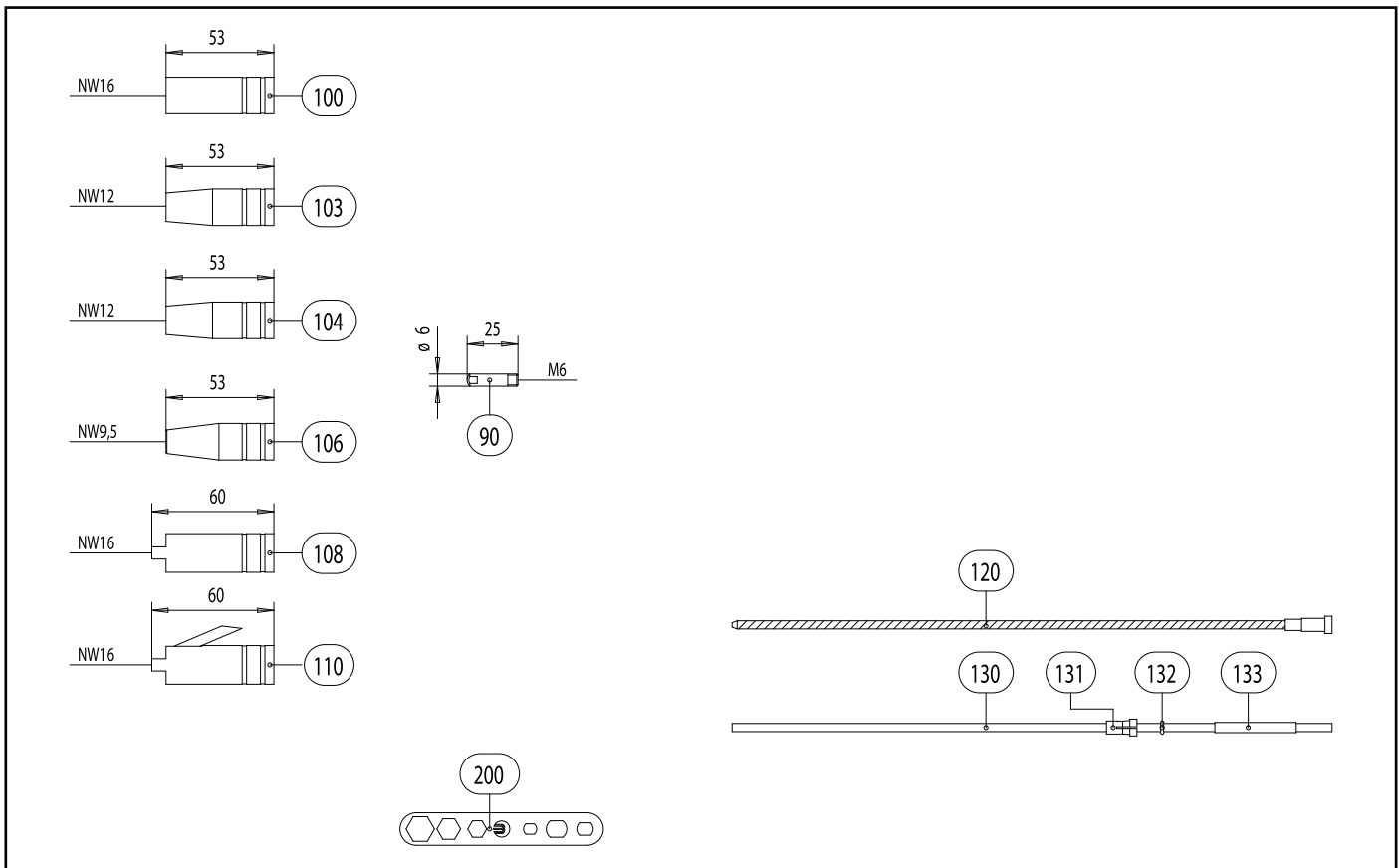
Pos.	Description	Units	Part-No.	Product-group
<b>Torch</b>				
	MB 15 AK; ERGO; central adaptor KZ-2; 3.00 m		002.0449	1006
	MB 15 AK; ERGO; central adaptor KZ-2; 4.00 m		002.0450	1006
	MB 15 AK; ERGO; central adaptor KZ-2; 5.00 m		002.0451	1006
<b>Swan neck</b>				
1	Swan neck MB 15 AK; 50° bent		002.0009	1007
	Swan neck MB 15 AK; flexible		002.0029	1007
2	Gas nozzle holder		002.0078	1095
3	Head insulator	10 Pcs.	002.0050	1095
4	Nozzle spring	100 Pcs.	002.0058	1095
6	Torch body brass		400.0114	1095
7	Torch body plastic ERGO		400.1076	1095
<b>Handle ERGO</b>				
10	ERGO handle with trigger cpl.		180.0076	1095
10.1	Trigger 2-pole		185.0031	9010
<b>Cable assembly</b>				
40	Bikox® R-power cable MB GRIP / ABIMIG®, R4 for 3.00 m		160.D520	1511
40	Bikox® R-power cable MB GRIP / ABIMIG®, R4 for 4.00 m		160.D521	1511
40	Bikox® R-power cable MB GRIP / ABIMIG®, R4 for 5.00 m		160.D522	1511
	Outer cover rubber Ø 20x1.5	40 m	105.0005	4050
40.1	Hexagon nut M10x1	10 Pcs.	001.0009	9010
44	Trigger wire connector	20 Pcs.	175.0022	9010
45	Insulating sleeve	20 Pcs.	400.0119	1095
46	Plug	20 Pcs.	175.0004	9010
54	Cable support ND 19		400.1010	1095
56	Cable support machine side		501.2248	9010

# MIG/MAG Welding Torches MB ERGO 15 AK



Pos.	Description	Units	Part-No.	Product-group
57	Pan head screw M4x6	20 Pcs.	000.0552	9010
57.1	Screw cap 1	20 Pcs.	500.0251	9010
58	Adaptor nut M33x2		500.0213	9010
59	Central adaptor KZ-2		501.0003	1095
60	Coupling nut M10x1	10 Pcs.	501.0082	9010
61	O-Ring 4x1	20 Pcs.	165.0002	9010
62	Trigger wire connector; female	20 Pcs.	175.0003	9010
<b>Wear parts</b>				
90	Contact tip M6 E-Cu; Ø 0.6 (6x25)	10 Pcs.	140.0008	1030
90	Contact tip M6 E-Cu; Ø 0.8 (6x25)	10 Pcs.	140.0059	1030
90	Contact tip M6 E-Cu; Ø 1.0 (6x25)	10 Pcs.	140.0253	1030
90	Contact tip M6 CuCrZr; Ø 0.6 (6x25)	10 Pcs.	140.0855	1031
90	Contact tip M6 CuCrZr; Ø 0.8 (6x25)	10 Pcs.	140.0062	1031
90	Contact tip M6 CuCrZr; Ø 1.0 (6x25)	10 Pcs.	140.0256	1031
90	Contact tip M6 E-Cu; Ø 0.8 for alu wire (6x25)	10 Pcs.	141.0002	1030
90	Contact tip M6 E-Cu; Ø 1.0 for alu wire (6x25)	10 Pcs.	141.0007	1030
90	Contact tip M6 CuCrZr silver-plated; Ø 0.8 (6x25)	10 Pcs.	147.0062	1031
90	Contact tip M6 CuCrZr silver-plated; Ø 1.0 (6x25)	10 Pcs.	147.0256	1031
100	Gas nozzle; cylindrical; ND Ø 16.0	10 Pcs.	145.0041	1036
103	Gas nozzle; conical; ND Ø 12.0	10 Pcs.	145.0075	1036
104	Gas nozzle; conical; with extended insulation; ND Ø 12.0	10 Pcs.	145.0107	1036
106	Gas nozzle; tapered; ND Ø 9.5	10 Pcs.	145.0123	1036
108	Spot weld gas nozzle; ND Ø 16.0	10 Pcs.	145.0168	1036
110	Spot weld gas nozzle for pin-welding; ND Ø 16.0	10 Pcs.	145.0186	1036
120	Guide spiral liner insulated; 1.5/4.5; blue; for wire Ø 0.6-0.8; for 3.00 m		124.0011	1034
120	Guide spiral liner insulated; 1.5/4.5; blue; for wire Ø 0.6-0.8; for 4.00 m		124.0012	1034

# MIG/MAG Welding Torches MB ERGO 15 AK



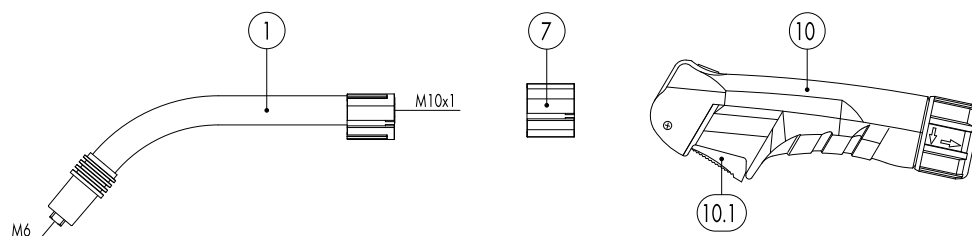
Pos.	Description	Units	Part-No.	Product-group
120	Guide spiral liner insulated; 1.5/4.5; blue; for wire $\varnothing$ 0.6-0.8; for 5.00 m		124.0015	1034
120	Guide spiral liner insulated; 2.0/4.5; red; for wire $\varnothing$ 1.0-1.2; for 3.00 m		124.0026	1034
120	Guide spiral liner insulated; 2.0/4.5; red; for wire $\varnothing$ 1.0-1.2; for 4.00 m		124.0031	1034
120	Guide spiral liner insulated; 2.0/4.5; red; for wire $\varnothing$ 1.0-1.2; for 5.00 m		124.0035	1034
130	PTFE core liner 1.5/4.0; blue; wire electrode $\varnothing$ 0.8-1.0; for 3.00 m		126.0005	1034
130	PTFE core liner 1.5/4.0; blue; wire electrode $\varnothing$ 0.8-1.0; for 4.00 m		126.0008	1034
130	PTFE core liner 1.5/4.0; blue; wire electrode $\varnothing$ 0.8-1.0; for 5.00 m		126.0011	1034
130	PTFE core liner 2.0/4.0; red; wire electrode $\varnothing$ 1.0-1.2; for 3.00 m		126.0021	1034
130	PTFE core liner 2.0/4.0; red; wire electrode $\varnothing$ 1.0-1.2; for 4.00 m		126.0026	1034
130	PTFE core liner 2.0/4.0; red; wire electrode $\varnothing$ 1.0-1.2; for 5.00 m		126.0028	1034
130	PTFE carbon core liner 1.5/4.0; wire electrode $\varnothing$ 0.8-1.0; for 3.00 m		127.0002	1034
130	PTFE carbon core liner 1.5/4.0; wire electrode $\varnothing$ 0.8-1.0; for 4.00 m		127.0003	1034
130	PTFE carbon core liner 1.5/4.0; wire electrode $\varnothing$ 0.8-1.0; for 5.00 m		127.0004	1034
130	PTFE carbon core liner 2.0/4.0; wire electrode $\varnothing$ 1.0-1.2; for 3.00 m		127.0005	1034
130	PTFE carbon core liner 2.0/4.0; wire electrode $\varnothing$ 1.0-1.2; for 4.00 m		127.0007	1034
130	PTFE carbon core liner 2.0/4.0; wire electrode $\varnothing$ 1.0-1.2; for 5.00 m		127.0008	1034
131	Nipple for core liner at $\varnothing$ 4.0	20 Pcs.	131.0001	1095
132	O-Ring 3.5x1.5	20 Pcs.	165.0008	9010
133	Guide tube for core liners up to $\varnothing$ 4.0 (200 mm)	10 Pcs.	129.0461	1095
200	Spanner Standard		191.0001	9010



# Notes

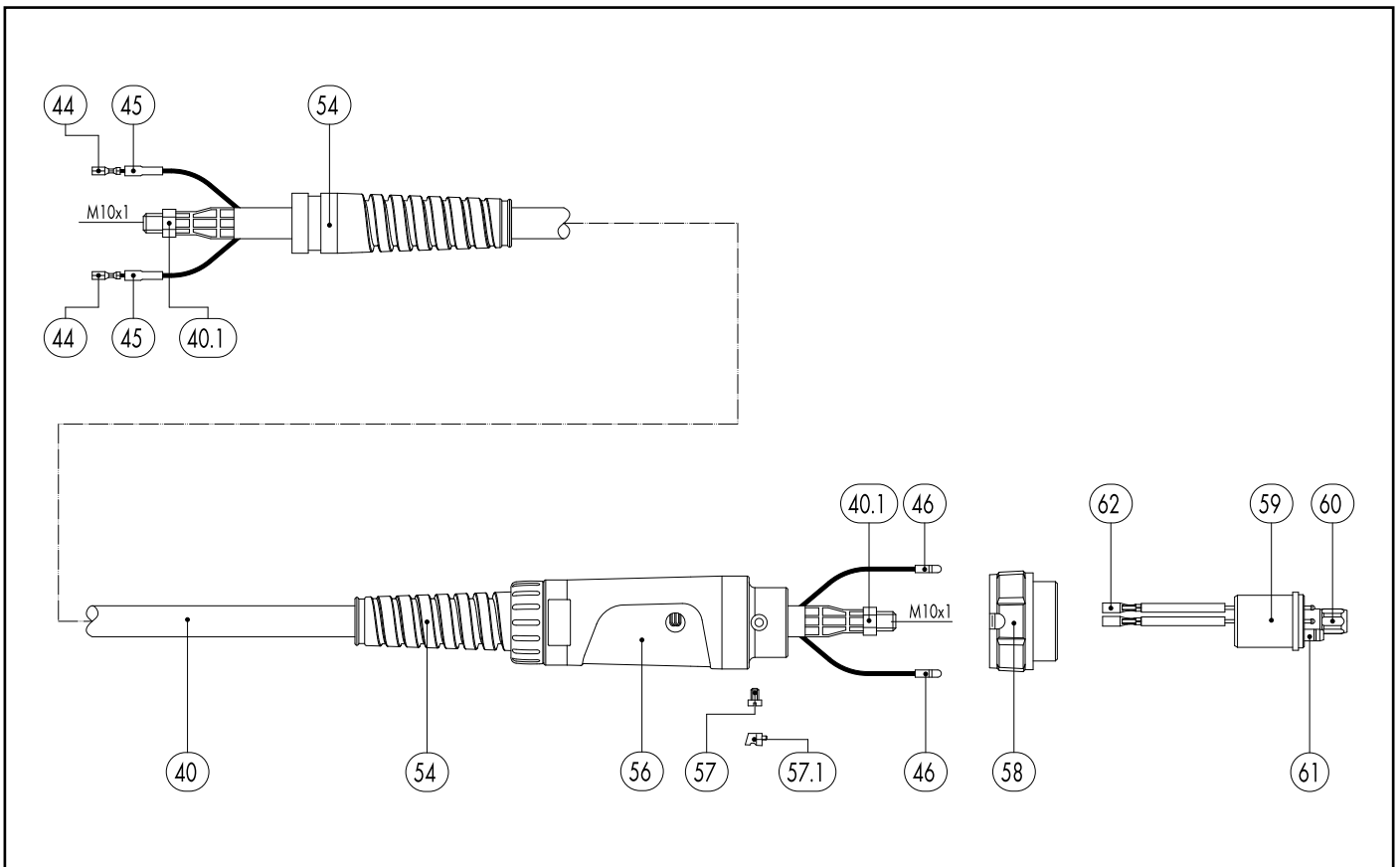


# MIG/MAG Welding Torches MB ERGO 24 KD



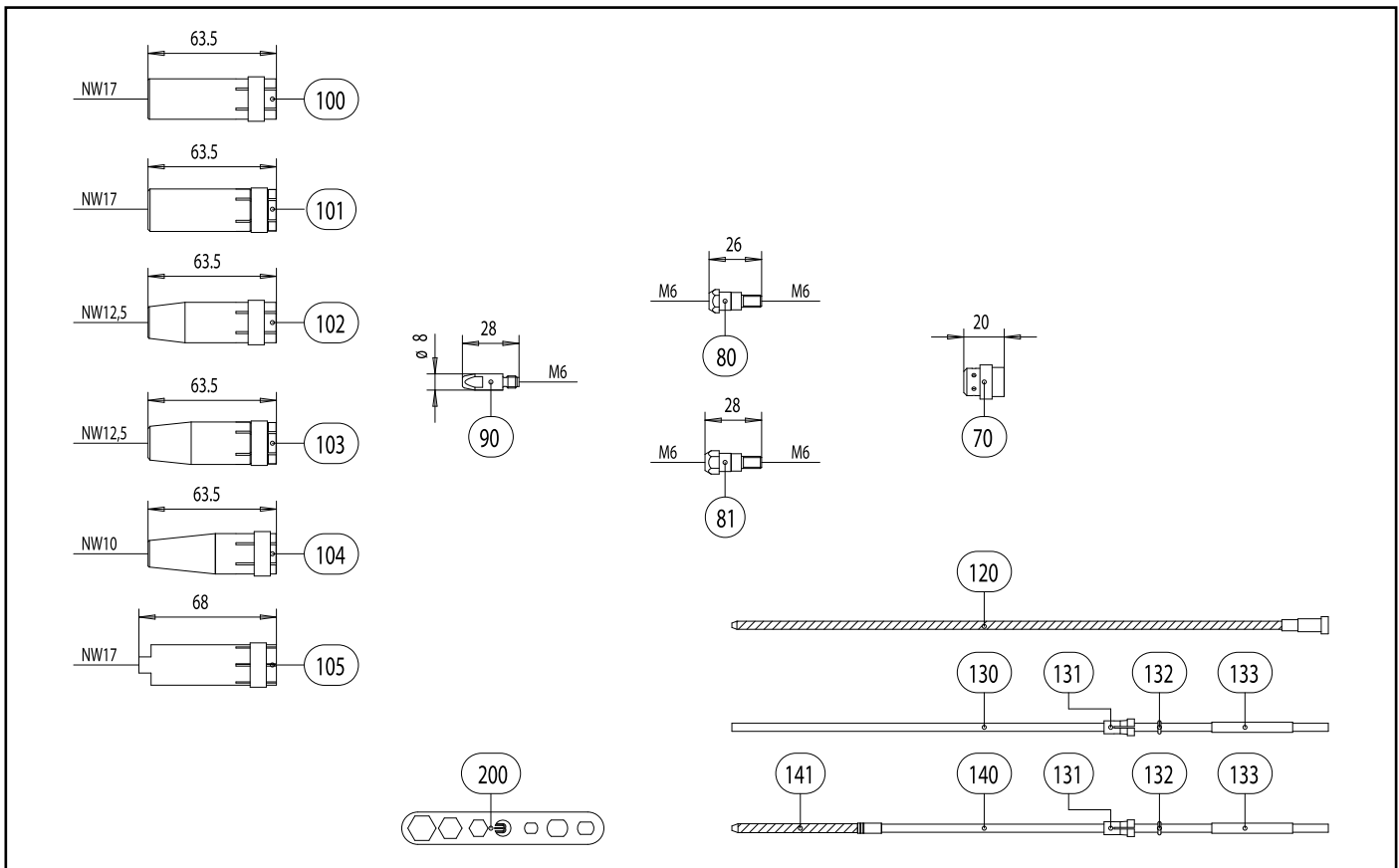
Pos.	Description	Units	Part-No.	Product-group
<b>Torch</b>				
	MB 24 KD; ERGO; central adaptor KZ-2; 3.00 m		012.0103	1006
	MB 24 KD; ERGO; central adaptor KZ-2; 4.00 m		012.0104	1006
	MB 24 KD; ERGO; central adaptor KZ-2; 5.00 m		012.0105	1006
<b>Swan neck</b>				
1	Swan neck MB 24 KD; 50° bent		012.0001	1007
7	Torch body plastic ERGO		400.1076	1095
<b>Handle ERGO</b>				
10	ERGO handle with trigger cpl.		180.0076	1095
10.1	Trigger 2-pole		185.0031	9010
<b>Cable assembly</b>				
40	Bikox® power cable MB ERGO, B6 for 3.00 m		160.0239	1011
40	Bikox® power cable MB ERGO, B6 for 4.00 m		160.0255	1011
40	Bikox® power cable MB ERGO, B6 for 5.00 m		160.0267	1011
	Outer cover rubber Ø 20x1.5	40 m	105.0005	4050
40.1	Hexagon nut M10x1	10 Pcs.	001.0009	9010
44	Trigger wire connector	20 Pcs.	175.0022	9010
45	Insulating sleeve	20 Pcs.	400.0119	1095
46	Plug	20 Pcs.	175.0004	9010
54	Cable support ND 19		400.1010	1095
56	Cable support machine side		501.2248	9010
57	Pan head screw M4x6	20 Pcs.	000.0552	9010
57.1	Screw cap 1	20 Pcs.	500.0251	9010
58	Adaptor nut M33x2		500.0213	9010
59	Central adaptor KZ-2		501.0003	1095
60	Coupling nut M10x1	10 Pcs.	501.0082	9010

# MIG/MAG Welding Torches MB ERGO 24 KD



Pos.	Description	Units	Part-No.	Product-group
61	O-Ring 4x1	20 Pcs.	165.0002	9010
62	Trigger wire connector; female	20 Pcs.	175.0003	9010
<b>Wear parts</b>				
70	Gas diffuser, white	10 Pcs.	012.0183	1032
70	Gas diffuser, silicone rubber	10 Pcs.	012.0243	1032
80	Contact tip holder M6; 26.0 mm	10 Pcs.	142.0003	1033
81	Contact tip holder M6; 28.0 mm	10 Pcs.	142.0010	1033
90	Contact tip M6 E-Cu; Ø 0.8 (8x28)	10 Pcs.	140.0051	1030
90	Contact tip M6 E-Cu; Ø 1.0 (8x28)	10 Pcs.	140.0242	1030
90	Contact tip M6 E-Cu; Ø 1.2 (8x28)	10 Pcs.	140.0379	1030
90	Contact tip M6 CuCrZr; Ø 0.8 (8x28)	10 Pcs.	140.0054	1031
90	Contact tip M6 CuCrZr; Ø 1.0 (8x28)	10 Pcs.	140.0245	1031
90	Contact tip M6 CuCrZr; Ø 1.2 (8x28)	10 Pcs.	140.0382	1031
90	Contact tip M6 E-Cu; Ø 0.8 for alu wire (8x28)	10 Pcs.	141.0001	1030
90	Contact tip M6 E-Cu; Ø 1.0 for alu wire (8x28)	10 Pcs.	141.0006	1030
90	Contact tip M6 E-Cu; Ø 1.2 for alu wire (8x28)	10 Pcs.	141.0010	1030
90	Contact tip M6 CuCrZr silver-plated; Ø 0.8 (8x28)	10 Pcs.	147.0054	1031
90	Contact tip M6 CuCrZr silver-plated; Ø 1.0 (8x28)	10 Pcs.	147.0245	1031
90	Contact tip M6 CuCrZr silver-plated; Ø 1.2 (8x28)	10 Pcs.	147.0382	1031
100	Gas nozzle; cylindrical; ND Ø 17.0	10 Pcs.	145.0047	1036
101	Gas nozzle; cylindrical; heavy duty; ND Ø 17.0	10 Pcs.	145.0062	1036
102	Gas nozzle; conical; ND Ø 12.5	10 Pcs.	145.0080	1036
103	Gas nozzle; conical; heavy duty; ND Ø 12.5	10 Pcs.	145.0101	1036
104	Gas nozzle; tapered; ND Ø 10.0	10 Pcs.	145.0128	1036
105	Spot weld gas nozzle; ND Ø 17.0	10 Pcs.	145.0174	1036
120	Guide spiral liner insulated; 1.5/4.5; blue; for wire Ø 0.6–0.8; for 3.00 m		124.0011	1034

# MIG/MAG Welding Torches MB ERGO 24 KD



## Pos. Description

## Units

## Part-No.

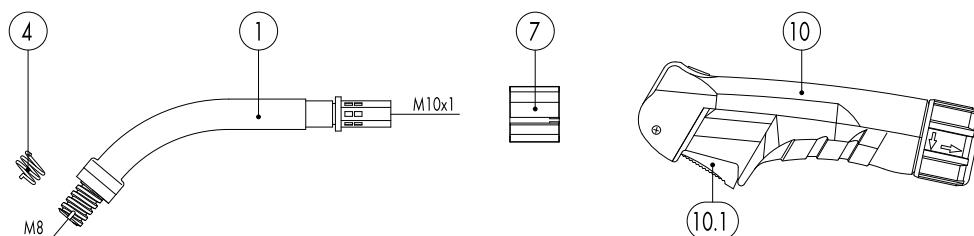
## Product-group

Pos.	Description	Units	Part-No.	Product-group
120	Guide spiral liner insulated; 1.5/4.5; blue; for wire Ø 0.6-0.8; for 4.00 m		124.0012	1034
120	Guide spiral liner insulated; 1.5/4.5; blue; for wire Ø 0.6-0.8; for 5.00 m		124.0015	1034
120	Guide spiral liner insulated; 2.0/4.5; red; for wire Ø 1.0-1.2; for 3.00 m		124.0026	1034
120	Guide spiral liner insulated; 2.0/4.5; red; for wire Ø 1.0-1.2; for 4.00 m		124.0031	1034
120	Guide spiral liner insulated; 2.0/4.5; red; for wire Ø 1.0-1.2; for 5.00 m		124.0035	1034
130	PTFE core liner 1.5/4.0; blue; wire electrode Ø 0.8-1.0; for 3.00 m		126.0005	1034
130	PTFE core liner 1.5/4.0; blue; wire electrode Ø 0.8-1.0; for 4.00 m		126.0008	1034
130	PTFE core liner 1.5/4.0; blue; wire electrode Ø 0.8-1.0; for 5.00 m		126.0011	1034
130	PTFE core liner 2.0/4.0; red; wire electrode Ø 1.0-1.2; for 3.00 m		126.0021	1034
130	PTFE core liner 2.0/4.0; red; wire electrode Ø 1.0-1.2; for 4.00 m		126.0026	1034
130	PTFE core liner 2.0/4.0; red; wire electrode Ø 1.0-1.2; for 5.00 m		126.0028	1034
130	PTFE carbon core liner 1.5/4.0; wire electrode Ø 0.8-1.0; for 3.00 m		127.0002	1034
130	PTFE carbon core liner 1.5/4.0; wire electrode Ø 0.8-1.0; for 4.00 m		127.0003	1034
130	PTFE carbon core liner 1.5/4.0; wire electrode Ø 0.8-1.0; for 5.00 m		127.0004	1034
130	PTFE carbon core liner 2.0/4.0; wire electrode Ø 1.0-1.2; for 3.00 m		127.0005	1034
130	PTFE carbon core liner 2.0/4.0; wire electrode Ø 1.0-1.2; for 4.00 m		127.0007	1034
130	PTFE carbon core liner 2.0/4.0; wire electrode Ø 1.0-1.2; for 5.00 m		127.0008	1034
131	Nipple for core liner at Ø 4.0	20 Pcs.	131.0001	1095
132	O-Ring 3.5x1.5	20 Pcs.	165.0008	9010
133	Guide tube for core liners up to Ø 4.0 (200 mm)	10 Pcs.	129.0461	1095
140	Combined wire guide cpl. polyamide/brass; wire Ø 1.0-1.2; for 3.00 m		128.M002	1034
140	Combined wire guide cpl. polyamide/brass; wire Ø 1.0-1.2; for 4.00 m		128.M003	1034
140	Combined wire guide cpl. polyamide/brass; wire Ø 1.0-1.2; for 5.00 m		128.M004	1034
141	Brass spiral made up with sleeve (200 mm)	10 Pcs.	001.0305	1095
200	Spanner Standard		191.0001	9010

# Notes

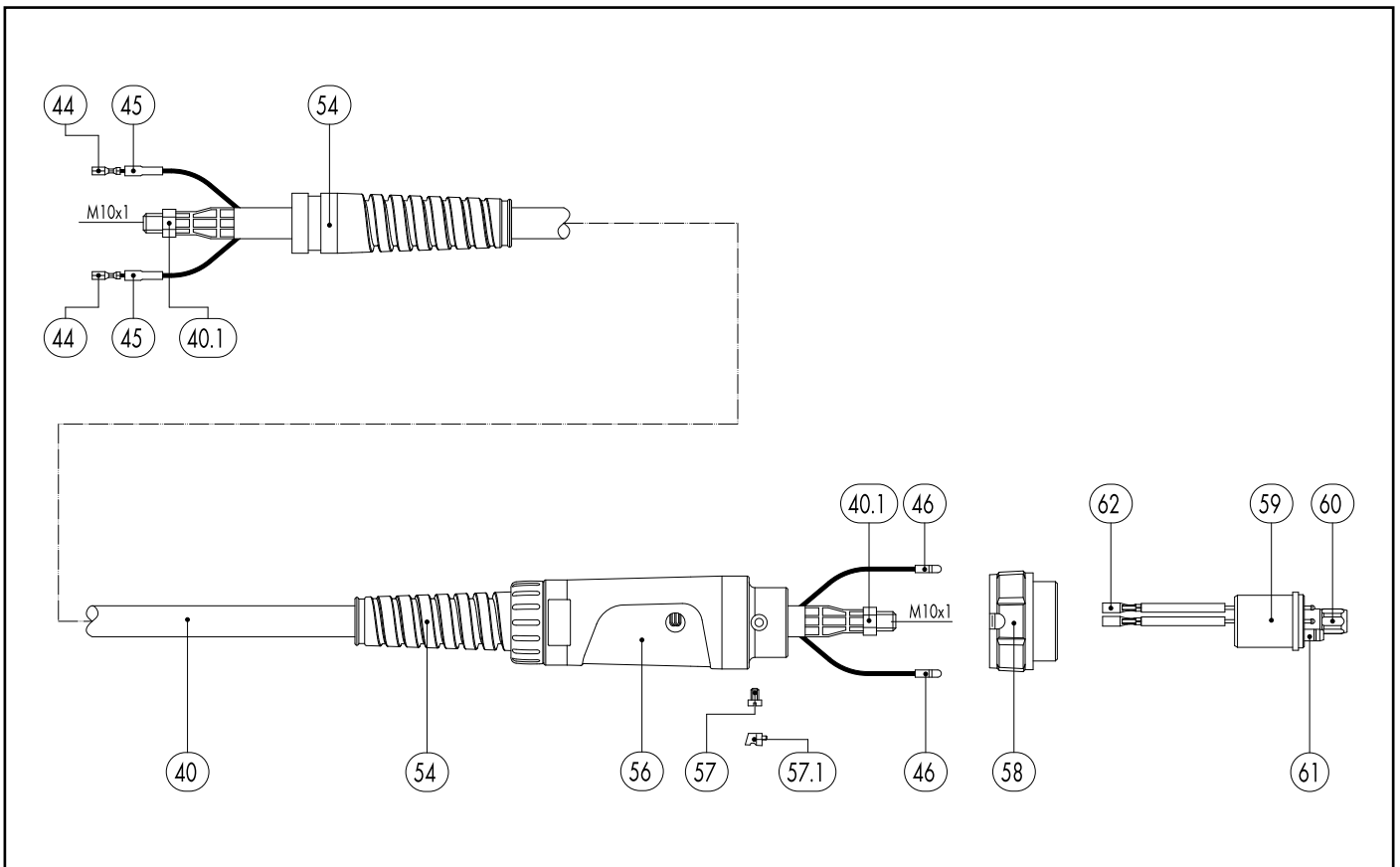


# MIG/MAG Welding Torches MB ERGO 25 AK



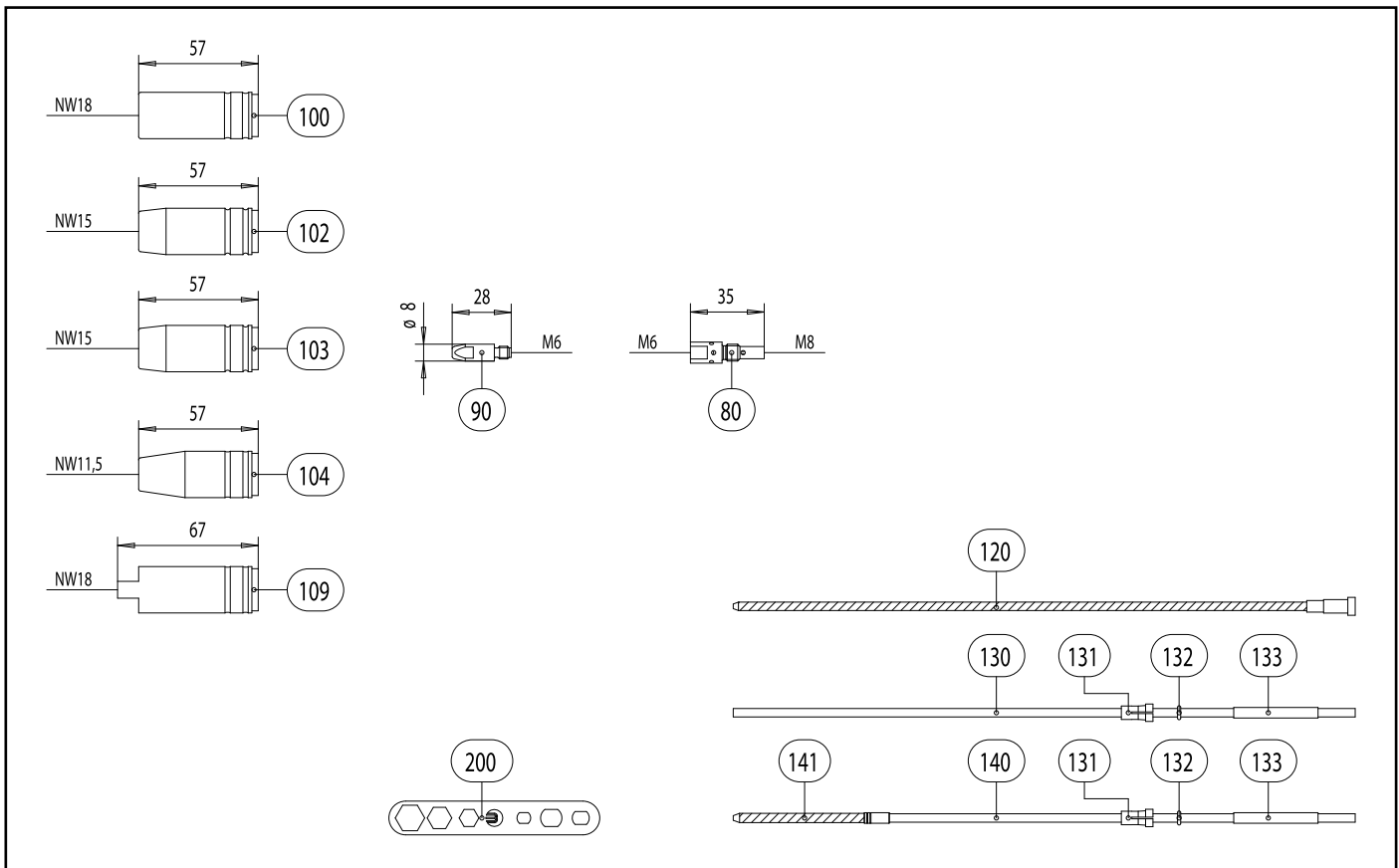
Pos.	Description	Units	Part-No.	Product-group
<b>Torch</b>				
	MB 25 AK; ERGO; central adaptor KZ-2; 3.00 m		004.0312	1006
	MB 25 AK; ERGO, central adaptor KZ-2; 4.00 m		004.0313	1006
	MB 25 AK; ERGO; central adaptor KZ-2; 5.00 m		004.0314	1006
<b>Swan neck</b>				
1	Swan neck MB 25 AK; 50° bent		004.0012	1007
	Swan neck MB 25 AK; flexible		004.0032	1007
7	Torch body plastic ERGO		400.1076	1095
4	Nozzle spring	100 Pcs.	003.0013	1095
<b>Handle ERGO</b>				
10	ERGO handle with trigger cpl.		180.0076	1095
10.1	Trigger 2-pole		185.0031	9010
<b>Cable assembly</b>				
40	Bikox® power cable MB ERGO, B5 for 3.00 m		160.0128	1011
40	Bikox® power cable MB ERGO, B5 for 4.00 m		160.0142	1011
40	Bikox® power cable MB ERGO, B5 for 5.00 m		160.0155	1011
	Outer cover rubber Ø 20x1.5	40 m	105.0005	4050
40.1	Hexagon nut M10x1	10 Pcs.	001.0009	9010
44	Trigger wire connector	20 Pcs.	175.0022	9010
45	Insulating sleeve	20 Pcs.	400.0119	1095
46	Plug	20 Pcs.	175.0004	9010
54	Cable support ND 19		400.1010	1095
56	Cable support machine side		501.2248	9010
57	Pan head screw M4x6	20 Pcs.	000.0552	9010
57.1	Screw cap 1	20 Pcs.	500.0251	9010
58	Adaptor nut M33x2		500.0213	9010

# MIG/MAG Welding Torches MB ERGO 25 AK



Pos.	Description	Units	Part-No.	Product-group
59	Central adaptor KZ-2		501.0003	1095
60	Coupling nut M10x1	10 Pcs.	501.0082	9010
61	O-Ring 4x1	20 Pcs.	165.0002	9010
62	Trigger wire connector; female	20 Pcs.	175.0003	9010
<b>Wear parts</b>				
80	Contact tip holder M6; 35.0 mm	10 Pcs.	142.0001	1033
90	Contact tip M6 E-Cu; Ø 0.8 (8x28)	10 Pcs.	140.0051	1030
90	Contact tip M6 E-Cu; Ø 1.0 (8x28)	10 Pcs.	140.0242	1030
90	Contact tip M6 E-Cu; Ø 1.2 (8x28)	10 Pcs.	140.0379	1030
90	Contact tip M6 CuCrZr; Ø 0.8 (8x28)	10 Pcs.	140.0054	1031
90	Contact tip M6 CuCrZr; Ø 1.0 (8x28)	10 Pcs.	140.0245	1031
90	Contact tip M6 CuCrZr; Ø 1.2 (8x28)	10 Pcs.	140.0382	1031
90	Contact tip M6 E-Cu; Ø 0.8 for alu wire (8x28)	10 Pcs.	141.0001	1030
90	Contact tip M6 E-Cu; Ø 1.0 for alu wire (8x28)	10 Pcs.	141.0006	1030
90	Contact tip M6 E-Cu; Ø 1.2 for alu wire (8x28)	10 Pcs.	141.0010	1030
90	Contact tip M6 CuCrZr silver-plated; Ø 0.8 (8x28)	10 Pcs.	147.0054	1031
90	Contact tip M6 CuCrZr silver-plated; Ø 1.0 (8x28)	10 Pcs.	147.0245	1031
90	Contact tip M6 CuCrZr silver-plated; Ø 1.2 (8x28)	10 Pcs.	147.0382	1031
100	Gas nozzle; cylindrical; ND Ø 18.0	10 Pcs.	145.0042	1036
102	Gas nozzle; conical; ND Ø 15.0	10 Pcs.	145.0076	1036
103	Gas nozzle; conical; with extended insulation; ND Ø 15.0	10 Pcs.	145.0100	1036
104	Gas nozzle; tapered; ND Ø 11.5	10 Pcs.	145.0124	1036
109	Spot weld gas nozzle; ND Ø 18.0	10 Pcs.	145.0169	1036
120	Guide spiral liner insulated; 1.5/4.5; blue; for wire Ø 0.6–0.8; for 3.00 m		124.0011	1034
120	Guide spiral liner insulated; 1.5/4.5; blue; for wire Ø 0.6–0.8; for 4.00 m		124.0012	1034
120	Guide spiral liner insulated; 1.5/4.5; blue; for wire Ø 0.6–0.8; for 5.00 m		124.0015	1034

# MIG/MAG Welding Torches MB ERGO 25 AK



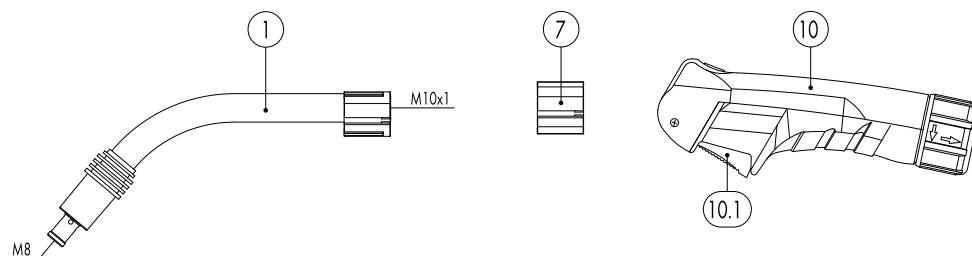
Pos.	Description	Units	Part-No.	Product-group
120	Guide spiral liner insulated; 2.0/4.5; red; for wire $\varnothing$ 1.0-1.2; for 3.00 m		124.0026	1034
120	Guide spiral liner insulated; 2.0/4.5; red; for wire $\varnothing$ 1.0-1.2; for 4.00 m		124.0031	1034
120	Guide spiral liner insulated; 2.0/4.5; red; for wire $\varnothing$ 1.0-1.2; for 5.00 m		124.0035	1034
130	PTFE core liner 1.5/4.0; blue; wire electrode $\varnothing$ 0.8-1.0; for 3.00 m		126.0005	1034
130	PTFE core liner 1.5/4.0; blue; wire electrode $\varnothing$ 0.8-1.0; for 4.00 m		126.0008	1034
130	PTFE core liner 1.5/4.0; blue; wire electrode $\varnothing$ 0.8-1.0; for 5.00 m		126.0011	1034
130	PTFE core liner 2.0/4.0; red; wire electrode $\varnothing$ 1.0-1.2; for 3.00 m		126.0021	1034
130	PTFE core liner 2.0/4.0; red; wire electrode $\varnothing$ 1.0-1.2; for 4.00 m		126.0026	1034
130	PTFE core liner 2.0/4.0; red; wire electrode $\varnothing$ 1.0-1.2; for 5.00 m		126.0028	1034
130	PTFE carbon core liner 1.5/4.0; wire electrode $\varnothing$ 0.8-1.0; for 3.00 m		127.0002	1034
130	PTFE carbon core liner 1.5/4.0; wire electrode $\varnothing$ 0.8-1.0; for 4.00 m		127.0003	1034
130	PTFE carbon core liner 1.5/4.0; wire electrode $\varnothing$ 0.8-1.0; for 5.00 m		127.0004	1034
130	PTFE carbon core liner 2.0/4.0; wire electrode $\varnothing$ 1.0-1.2; for 3.00 m		127.0005	1034
130	PTFE carbon core liner 2.0/4.0; wire electrode $\varnothing$ 1.0-1.2; for 4.00 m		127.0007	1034
130	PTFE carbon core liner 2.0/4.0; wire electrode $\varnothing$ 1.0-1.2; for 5.00 m		127.0008	1034
131	Nipple for core liner at $\varnothing$ 4.0	20 Pcs.	131.0001	1095
132	O-Ring 3.5x1.5	20 Pcs.	165.0008	9010
133	Guide tube for core liners up to $\varnothing$ 4.0 (200 mm)	10 Pcs.	129.0461	1095
140	Combined wire guide cpl. polyamide/brass; wire $\varnothing$ 1.0-1.2; for 3.00 m		128.M002	1034
140	Combined wire guide cpl. polyamide/brass; wire $\varnothing$ 1.0-1.2; for 4.00 m		128.M003	1034
140	Combined wire guide cpl. polyamide/brass; wire $\varnothing$ 1.0-1.2; for 5.00 m		128.M004	1034
141	Brass spiral made up with sleeve (200 mm)	10 Pcs.	001.0305	1095
200	Spanner Standard		191.0001	9010



# Notes

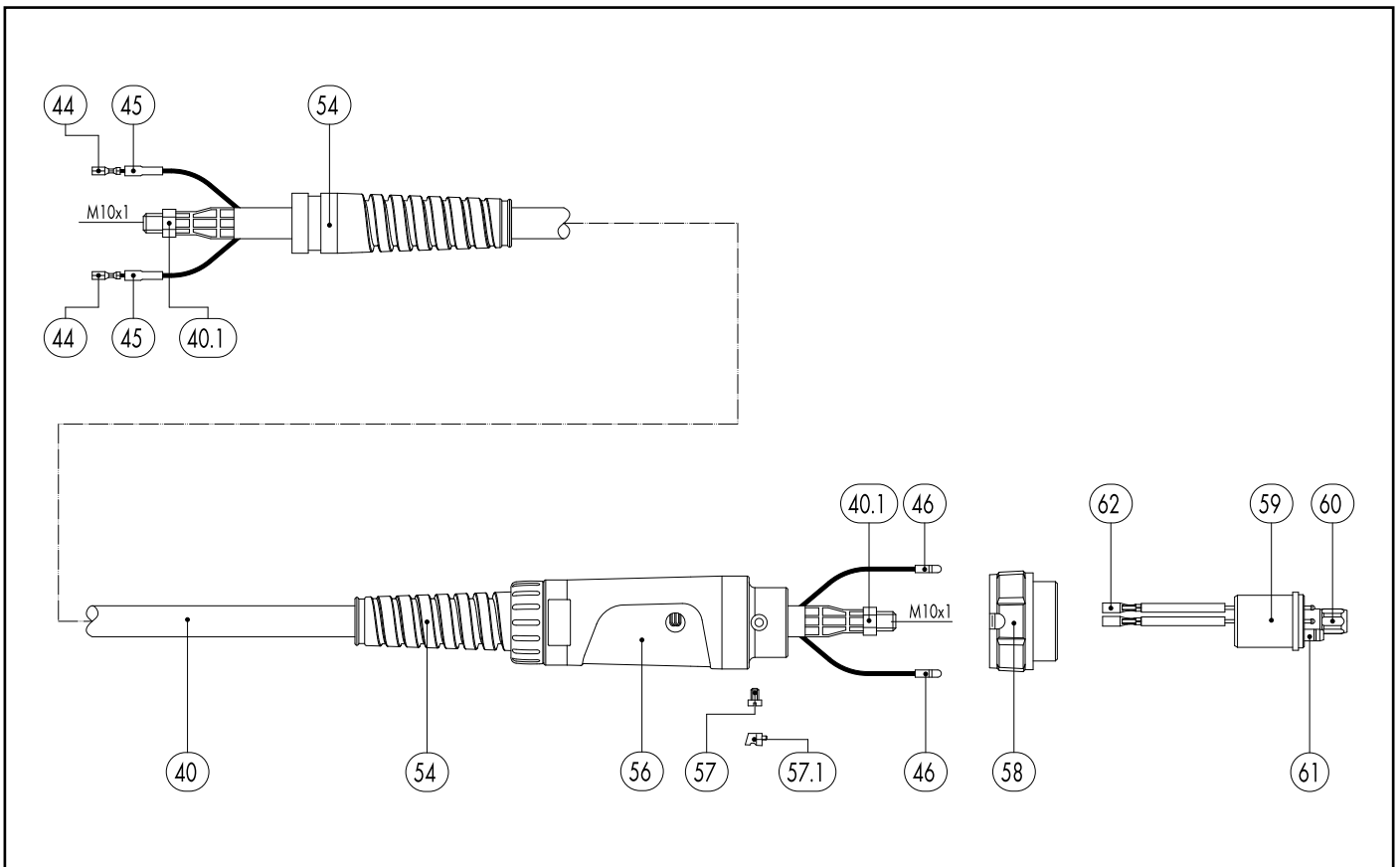


# MIG/MAG Welding Torches MB ERGO 26 KD



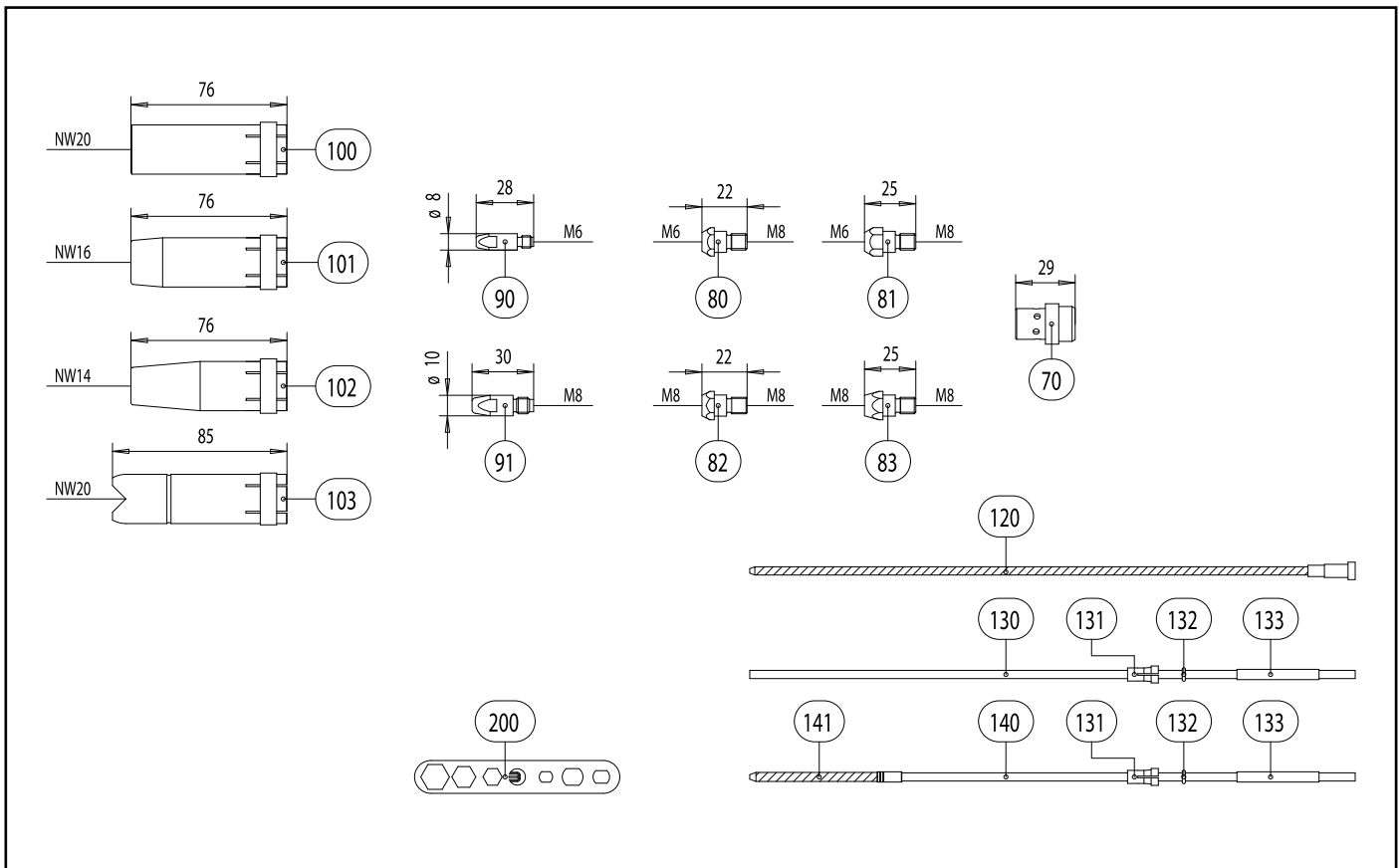
Pos.	Description	Units	Part-No.	Product-group
<b>Torch</b>				
	MB 26 KD; ERGO; central adaptor KZ-2; 3.00 m		018.0062	1015
	MB 26 KD; ERGO; central adaptor KZ-2; 4.00 m		018.0063	1015
	MB 26 KD; ERGO; central adaptor KZ-2; 5.00 m		018.0064	1015
<b>Swan neck</b>				
1	Swan neck MB 26 KD; 50° bent		018.0001	1014
7	Torch body plastic ERGO		400.1076	1095
<b>Handle ERGO</b>				
10	ERGO handle with trigger cpl.		180.0076	1095
10.1	Trigger 2-pole		185.0031	9010
<b>Cable assembly</b>				
40	Bikox® power cable MB ERGO, B6 for 3.00 m		160.0239	1011
40	Bikox® power cable MB ERGO, B6 for 4.00 m		160.0255	1011
40	Bikox® power cable MB ERGO, B6 for 5.00 m		160.0267	1011
	Outer cover rubber Ø 20x1.5	40 m	105.0005	4050
40.1	Hexagon nut M10x1	10 Pcs.	001.0009	9010
44	Trigger wire connector	20 Pcs.	175.0022	9010
45	Insulating sleeve	20 Pcs.	400.0119	1095
46	Plug	20 Pcs.	175.0004	9010
54	Cable support ND 19		400.1010	1095
56	Cable support machine side		501.2248	9010
57	Pan head screw M4x6	20 Pcs.	000.0552	9010
57.1	Screw cap 1	20 Pcs.	500.0251	9010
58	Adaptor nut M33x2		500.0213	9010
59	Central adaptor KZ-2		501.0003	1095
60	Coupling nut M10x1	10 Pcs.	501.0082	9010

# MIG/MAG Welding Torches MB ERGO 26 KD



Pos.	Description	Units	Part-No.	Product-group
61	O-Ring 4x1	20 Pcs.	165.0002	9010
62	Trigger wire connector; female	20 Pcs.	175.0003	9010
<b>Wear parts</b>				
70	Gas diffuser, white	10 Pcs.	018.0116	1032
70	Gas diffuser, ceramic	10 Pcs.	018.0141	1032
80	Contact tip holder M6; 22.0 mm (short)	10 Pcs.	142.0007	1033
81	Contact tip holder M6; 25.0 mm (long)	10 Pcs.	142.0012	1033
82	Contact tip holder M8; 22.0 mm (short)	10 Pcs.	142.0082	1033
83	Contact tip holder M8; 25.0 mm (long)	10 Pcs.	142.0026	1033
90	Contact tip M6 E-Cu; Ø 0.8 (8x28)	10 Pcs.	140.0051	1030
90	Contact tip M6 E-Cu; Ø 1.0 (8x28)	10 Pcs.	140.0242	1030
90	Contact tip M6 E-Cu; Ø 1.2 (8x28)	10 Pcs.	140.0379	1030
90	Contact tip M6 CuCrZr; Ø 0.8 (8x28)	10 Pcs.	140.0054	1031
90	Contact tip M6 CuCrZr; Ø 1.0 (8x28)	10 Pcs.	140.0245	1031
90	Contact tip M6 CuCrZr; Ø 1.2 (8x28)	10 Pcs.	140.0382	1031
90	Contact tip M6 E-Cu; Ø 0.8 for alu wire (8x28)	10 Pcs.	141.0001	1030
90	Contact tip M6 E-Cu; Ø 1.0 for alu wire (8x28)	10 Pcs.	141.0006	1030
90	Contact tip M6 E-Cu; Ø 1.2 for alu wire (8x28)	10 Pcs.	141.0010	1030
90	Contact tip M6 CuCrZr silver-plated; Ø 0.8 (8x28)	10 Pcs.	147.0054	1031
90	Contact tip M6 CuCrZr silver-plated; Ø 1.0 (8x28)	10 Pcs.	147.0245	1031
90	Contact tip M6 CuCrZr silver-plated; Ø 1.2 (8x28)	10 Pcs.	147.0382	1031
91	Contact tip M8 E-Cu; Ø 0.8 (10x30)	10 Pcs.	140.0114	1030
91	Contact tip M8 E-Cu; Ø 1.0 (10x30)	10 Pcs.	140.0313	1030
91	Contact tip M8 E-Cu; Ø 1.2 (10x30)	10 Pcs.	140.0442	1030
91	Contact tip M8 CuCrZr; Ø 0.8 (10x30)	10 Pcs.	140.0117	1031
91	Contact tip M8 CuCrZr; Ø 1.0 (10x30)	10 Pcs.	140.0316	1031

# MIG/MAG Welding Torches MB ERGO 26 KD



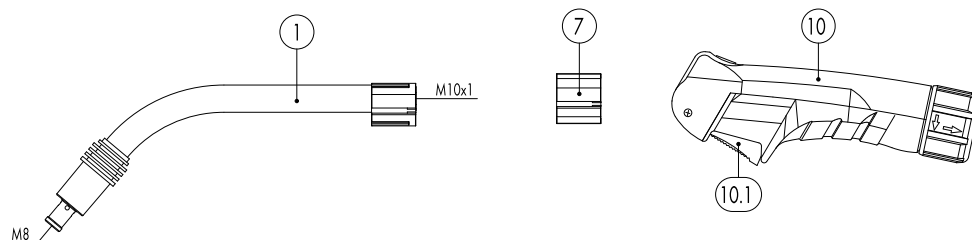
## Pos. Description

Pos.	Description	Units	Part-No.	Product-group
91	Contact tip M8 CuCrZr; Ø 1.2 (10x30)	10 Pcs.	140.0445	1031
91	Contact tip M8 E-Cu; Ø 0.8 for alu wire (10x30)	10 Pcs.	141.0003	1030
91	Contact tip M8 E-Cu; Ø 1.0 for alu wire (10x30)	10 Pcs.	141.0008	1030
91	Contact tip M8 E-Cu; Ø 1.2 for alu wire (10x30)	10 Pcs.	141.0015	1030
91	Contact tip M8 CuCrZr silver-plated; Ø 0.8 (10x30)	10 Pcs.	147.0117	1031
91	Contact tip M8 CuCrZr silver-plated; Ø 1.0 (10x30)	10 Pcs.	147.0316	1031
91	Contact tip M8 CuCrZr silver-plated; Ø 1.2 (10x30)	10 Pcs.	147.0445	1031
100	Gas nozzle; cylindrical; ND Ø 20.0	10 Pcs.	145.0051	1037
101	Gas nozzle; conical; ND Ø 16.0	10 Pcs.	145.0085	1037
102	Gas nozzle; tapered; ND Ø 14.0	10 Pcs.	145.0132	1037
103	Spot weld gas nozzle; ND Ø 20.0	10 Pcs.	145.0179	1037
120	Guide spiral liner insulated; 1.5/4.5; blue; for wire Ø 0.6-0.8; for 3.00 m		124.0011	1034
120	Guide spiral liner insulated; 1.5/4.5; blue; for wire Ø 0.6-0.8; for 4.00 m		124.0012	1034
120	Guide spiral liner insulated; 1.5/4.5; blue; for wire Ø 0.6-0.8; for 5.00 m		124.0015	1034
120	Guide spiral liner insulated; 2.0/4.5; red; for wire Ø 1.0-1.2; for 3.00 m		124.0026	1034
120	Guide spiral liner insulated; 2.0/4.5; red; for wire Ø 1.0-1.2; for 4.00 m		124.0031	1034
120	Guide spiral liner insulated; 2.0/4.5; red; for wire Ø 1.0-1.2; for 5.00 m		124.0035	1034
130	PTFE core liner 1.5/4.0; blue; wire electrode Ø 0.8-1.0; for 3.00 m		126.0005	1034
130	PTFE core liner 1.5/4.0; blue; wire electrode Ø 0.8-1.0; for 4.00 m		126.0008	1034
130	PTFE core liner 1.5/4.0; blue; wire electrode Ø 0.8-1.0; for 5.00 m		126.0011	1034
130	PTFE core liner 2.0/4.0; red; wire electrode Ø 1.0-1.2; for 3.00 m		126.0021	1034
130	PTFE core liner 2.0/4.0; red; wire electrode Ø 1.0-1.2; for 4.00 m		126.0026	1034
130	PTFE core liner 2.0/4.0; red; wire electrode Ø 1.0-1.2; for 5.00 m		126.0028	1034
130	PTFE carbon core liner 1.5/4.0; wire electrode Ø 0.8-1.0; for 3.00 m		127.0002	1034
130	PTFE carbon core liner 1.5/4.0; wire electrode Ø 0.8-1.0; for 4.00 m		127.0003	1034
130	PTFE carbon core liner 1.5/4.0; wire electrode Ø 0.8-1.0; for 5.00 m		127.0004	1034

# MIG/MAG Welding Torches MB ERGO 26 KD

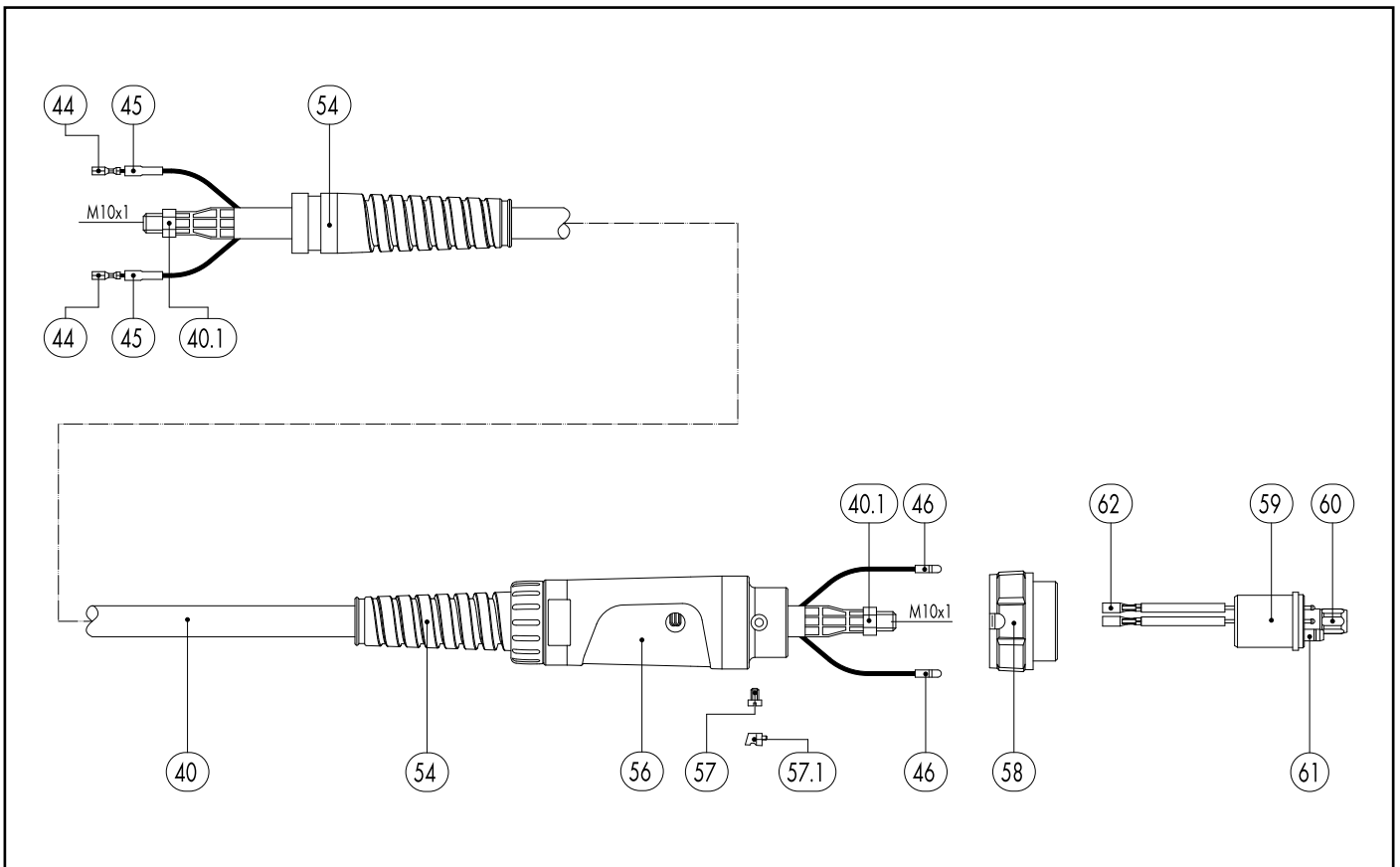
Pos.	Description	Units	Part-No.	Product-group
130	PTFE carbon core liner 2.0/4.0; wire electrode Ø 1.0-1.2; for 3.00 m		127.0005	1034
130	PTFE carbon core liner 2.0/4.0; wire electrode Ø 1.0-1.2; for 4.00 m		127.0007	1034
130	PTFE carbon core liner 2.0/4.0; wire electrode Ø 1.0-1.2; for 5.00 m		127.0008	1034
131	Nipple for core liner at Ø 4.0	20 Pcs.	131.0001	1095
132	O-Ring 3.5x1.5	20 Pcs.	165.0008	9010
133	Guide tube for core liners up to Ø 4.0 (200 mm)	10 Pcs.	129.0461	1095
140	Combined wire guide cpl. polyamide/brass; wire Ø 1.0-1.2; for 3.00 m		128.M002	1034
140	Combined wire guide cpl. polyamide/brass; wire Ø 1.0-1.2; for 4.00 m		128.M003	1034
140	Combined wire guide cpl. polyamide/brass; wire Ø 1.0-1.2; for 5.00 m		128.M004	1034
141	Brass spiral made up with sleeve (200 mm)	10 Pcs.	001.0305	1095
200	Spanner Standard		191.0001	9010

# MIG/MAG Welding Torches MB ERGO 36 KD



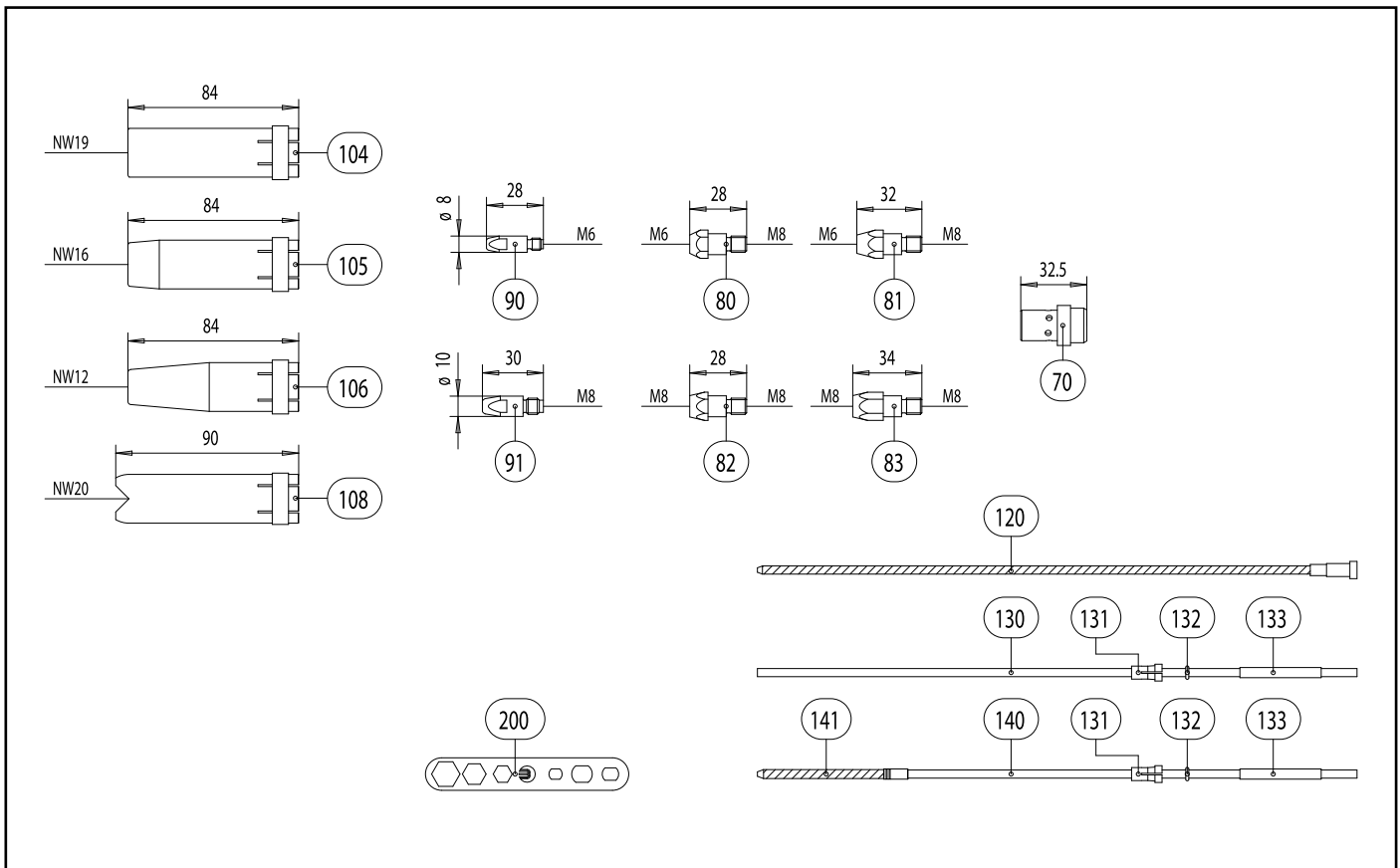
Pos.	Description	Units	Part-No.	Product-group
<b>Torch</b>				
	MB 36 KD; ERGO; central adaptor KZ-2; 3.00 m		014.0143	1015
	MB 36 KD; ERGO; central adaptor KZ-2; 4.00 m		014.0144	1015
	MB 36 KD; ERGO; central adaptor KZ-2; 5.00 m		014.0145	1015
<b>Swan neck</b>				
1	Swan neck MB 36 KD; 50° bent		014.0006	1014
7	Torch body plastic ERGO		400.1076	1095
<b>Handle ERGO</b>				
10	ERGO handle with trigger cpl.		180.0076	1095
10.1	Trigger 2-pole		185.0031	9010
<b>Cable assembly</b>				
40	Bikox® power cable MB ERGO, B7 for 3.00 m		160.0364	1011
40	Bikox® power cable MB ERGO, B7 for 4.00 m		160.0379	1011
40	Bikox® power cable MB ERGO, B7 for 5.00 m		160.0391	1011
40.1	Hexagon nut M10x1	10 Pcs.	001.0009	9010
44	Trigger wire connector	20 Pcs.	175.0022	9010
45	Insulating sleeve	20 Pcs.	400.0119	1095
46	Plug	20 Pcs.	175.0004	9010
54	Cable support ND 19		400.1010	1095
56	Cable support machine side		501.2248	9010
57	Pan head screw M4x6	20 Pcs.	000.0552	9010
57.1	Screw cap 1	20 Pcs.	500.0251	9010
58	Adaptor nut M33x2		500.0213	9010
59	Central adaptor KZ-2		501.0003	1095
60	Coupling nut M10x1	10 Pcs.	501.0082	9010
61	O-Ring 4x1	20 Pcs.	165.0002	9010

# MIG/MAG Welding Torches MB ERGO 36 KD



Pos.	Description	Units	Part-No.	Product-group
62	Trigger wire connector; female	20 Pcs.	175.0003	9010
<b>Wear parts</b>				
70	Gas diffuser, white	10 Pcs.	014.0261	1032
70	Gas diffuser, long life	10 Pcs.	014.0026	1032
70	Gas diffuser, ceramic	10 Pcs.	014.0023	1032
80	Contact tip holder M6; 28.0 mm (short)	10 Pcs.	142.0005	1033
81	Contact tip holder M6; 32.0 mm (long)	10 Pcs.	142.0011	1033
82	Contact tip holder M8; 28.0 mm (short)	10 Pcs.	142.0020	1033
83	Contact tip holder M8; 34.0 mm (long)	10 Pcs.	142.0024	1033
90	Contact tip M6 E-Cu; Ø 0.8 (8x28)	10 Pcs.	140.0051	1030
90	Contact tip M6 E-Cu; Ø 1.0 (8x28)	10 Pcs.	140.0242	1030
90	Contact tip M6 E-Cu; Ø 1.2 (8x28)	10 Pcs.	140.0379	1030
90	Contact tip M6 CuCrZr; Ø 0.8 (8x28)	10 Pcs.	140.0054	1031
90	Contact tip M6 CuCrZr; Ø 1.0 (8x28)	10 Pcs.	140.0245	1031
90	Contact tip M6 CuCrZr; Ø 1.2 (8x28)	10 Pcs.	140.0382	1031
90	Contact tip M6 E-Cu; Ø 0.8 for alu wire (8x28)	10 Pcs.	141.0001	1030
90	Contact tip M6 E-Cu; Ø 1.0 for alu wire (8x28)	10 Pcs.	141.0006	1030
90	Contact tip M6 E-Cu; Ø 1.2 for alu wire (8x28)	10 Pcs.	141.0010	1030
90	Contact tip M6 CuCrZr silver-plated; Ø 0.8 (8x28)	10 Pcs.	147.0054	1031
90	Contact tip M6 CuCrZr silver-plated; Ø 1.0 (8x28)	10 Pcs.	147.0245	1031
90	Contact tip M6 CuCrZr silver-plated; Ø 1.2 (8x28)	10 Pcs.	147.0382	1031
91	Contact tip M8 E-Cu; Ø 0.8 (10x30)	10 Pcs.	140.0114	1030
91	Contact tip M8 E-Cu; Ø 1.0 (10x30)	10 Pcs.	140.0313	1030
91	Contact tip M8 E-Cu; Ø 1.2 (10x30)	10 Pcs.	140.0442	1030
91	Contact tip M8 CuCrZr; Ø 0.8 (10x30)	10 Pcs.	140.0117	1031
91	Contact tip M8 CuCrZr; Ø 1.0 (10x30)	10 Pcs.	140.0316	1031

# MIG/MAG Welding Torches MB ERGO 36 KD



## Pos. Description

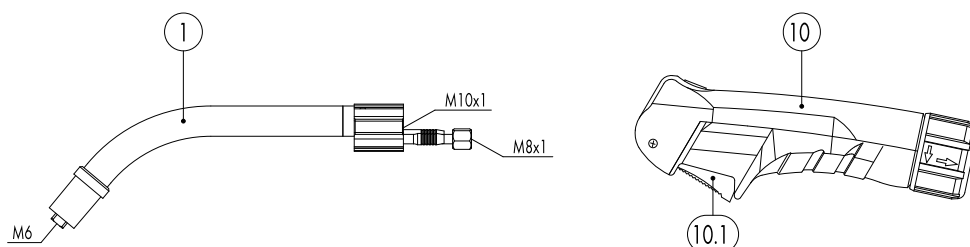
Pos.	Description	Units	Part-No.	Product-group
91	Contact tip M8 CuCrZr; Ø 1.2 (10x30)	10 Pcs.	140.0445	1031
91	Contact tip M8 E-Cu; Ø 0.8 for alu wire (10x30)	10 Pcs.	141.0003	1030
91	Contact tip M8 E-Cu; Ø 1.0 for alu wire (10x30)	10 Pcs.	141.0008	1030
91	Contact tip M8 E-Cu; Ø 1.2 for alu wire (10x30)	10 Pcs.	141.0015	1030
91	Contact tip M8 CuCrZr silver-plated; Ø 0.8 (10x30)	10 Pcs.	147.0117	1031
91	Contact tip M8 CuCrZr silver-plated; Ø 1.0 (10x30)	10 Pcs.	147.0316	1031
91	Contact tip M8 CuCrZr silver-plated; Ø 1.2 (10x30)	10 Pcs.	147.0445	1031
104	Gas nozzle; cylindrical; ND Ø 19.0	10 Pcs.	145.0045	1037
105	Gas nozzle; conical; ND Ø 16.0	10 Pcs.	145.0078	1037
106	Gas nozzle; tapered; ND Ø 12.0	10 Pcs.	145.0126	1037
108	Spot weld gas nozzle; ND Ø 20.0	10 Pcs.	145.0172	1037
120	Guide spiral liner insulated; 1.5/4.5; blue; for wire Ø 0.6-0.8; for 3.00 m		124.0011	1034
120	Guide spiral liner insulated; 1.5/4.5; blue; for wire Ø 0.6-0.8; for 4.00 m		124.0012	1034
120	Guide spiral liner insulated; 1.5/4.5; blue; for wire Ø 0.6-0.8; for 5.00 m		124.0015	1034
120	Guide spiral liner insulated; 2.0/4.5; red; for wire Ø 1.0-1.2; for 3.00 m		124.0026	1034
120	Guide spiral liner insulated; 2.0/4.5; red; for wire Ø 1.0-1.2; for 4.00 m		124.0031	1034
120	Guide spiral liner insulated; 2.0/4.5; red; for wire Ø 1.0-1.2; for 5.00 m		124.0035	1034
130	PTFE core liner 1.5/4.0; blue; wire electrode Ø 0.8-1.0; for 3.00 m		126.0005	1034
130	PTFE core liner 1.5/4.0; blue; wire electrode Ø 0.8-1.0; for 4.00 m		126.0008	1034
130	PTFE core liner 1.5/4.0; blue; wire electrode Ø 0.8-1.0; for 5.00 m		126.0011	1034
130	PTFE core liner 2.0/4.0; red; wire electrode Ø 1.0-1.2; for 3.00 m		126.0021	1034
130	PTFE core liner 2.0/4.0; red; wire electrode Ø 1.0-1.2; for 4.00 m		126.0026	1034
130	PTFE core liner 2.0/4.0; red; wire electrode Ø 1.0-1.2; for 5.00 m		126.0028	1034
130	PTFE carbon core liner 1.5/4.0; wire electrode Ø 0.8-1.0; for 3.00 m		127.0002	1034
130	PTFE carbon core liner 1.5/4.0; wire electrode Ø 0.8-1.0; for 4.00 m		127.0003	1034
130	PTFE carbon core liner 1.5/4.0; wire electrode Ø 0.8-1.0; for 5.00 m		127.0004	1034



# MIG/MAG Welding Torches MB ERGO 36 KD

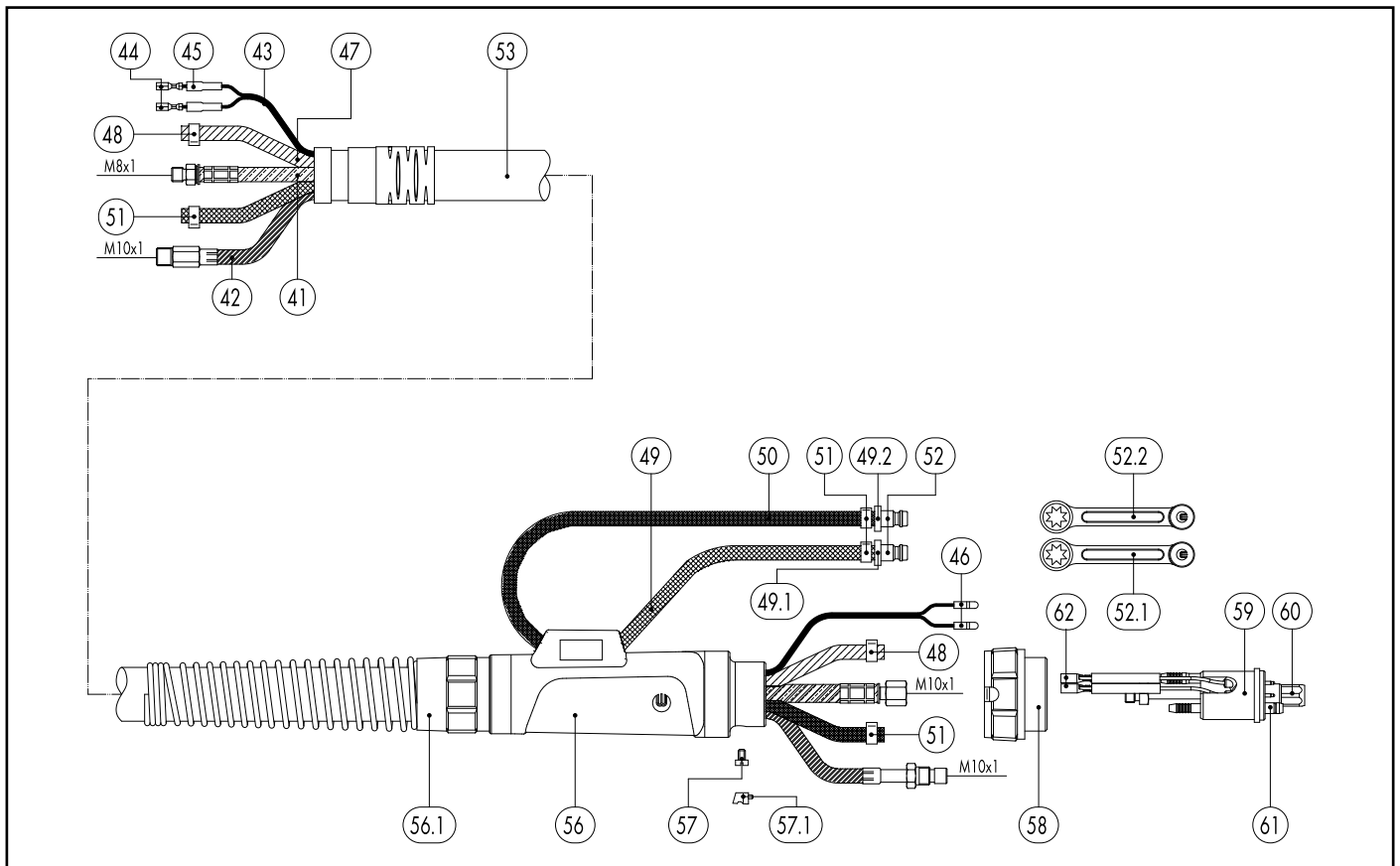
Pos.	Description	Units	Part-No.	Product-group
130	PTFE carbon core liner 2.0/4.0; wire electrode Ø 1.0-1.2; for 3.00 m		127.0005	1034
130	PTFE carbon core liner 2.0/4.0; wire electrode Ø 1.0-1.2; for 4.00 m		127.0007	1034
130	PTFE carbon core liner 2.0/4.0; wire electrode Ø 1.0-1.2; for 5.00 m		127.0008	1034
131	Nipple for core liner at Ø 4.0	20 Pcs.	131.0001	1095
132	O-Ring 3.5x1.5	20 Pcs.	165.0008	9010
133	Guide tube for core liners up to Ø 4.0 (200 mm)	10 Pcs.	129.0461	1095
140	Combined wire guide cpl. polyamide/brass; wire Ø 1.0- 1.2; for 3.00 m		128.M002	1034
140	Combined wire guide cpl. polyamide/brass; wire Ø 1.0- 1.2; for 4.00 m		128.M003	1034
140	Combined wire guide cpl. polyamide/brass; wire Ø 1.0- 1.2; for 5.00 m		128.M004	1034
141	Brass spiral made up with sleeve (200 mm)	10 Pcs.	001.0305	1095
200	Spanner Standard		191.0001	9010

# MIG/MAG Welding Torches MB ERGO 240 D



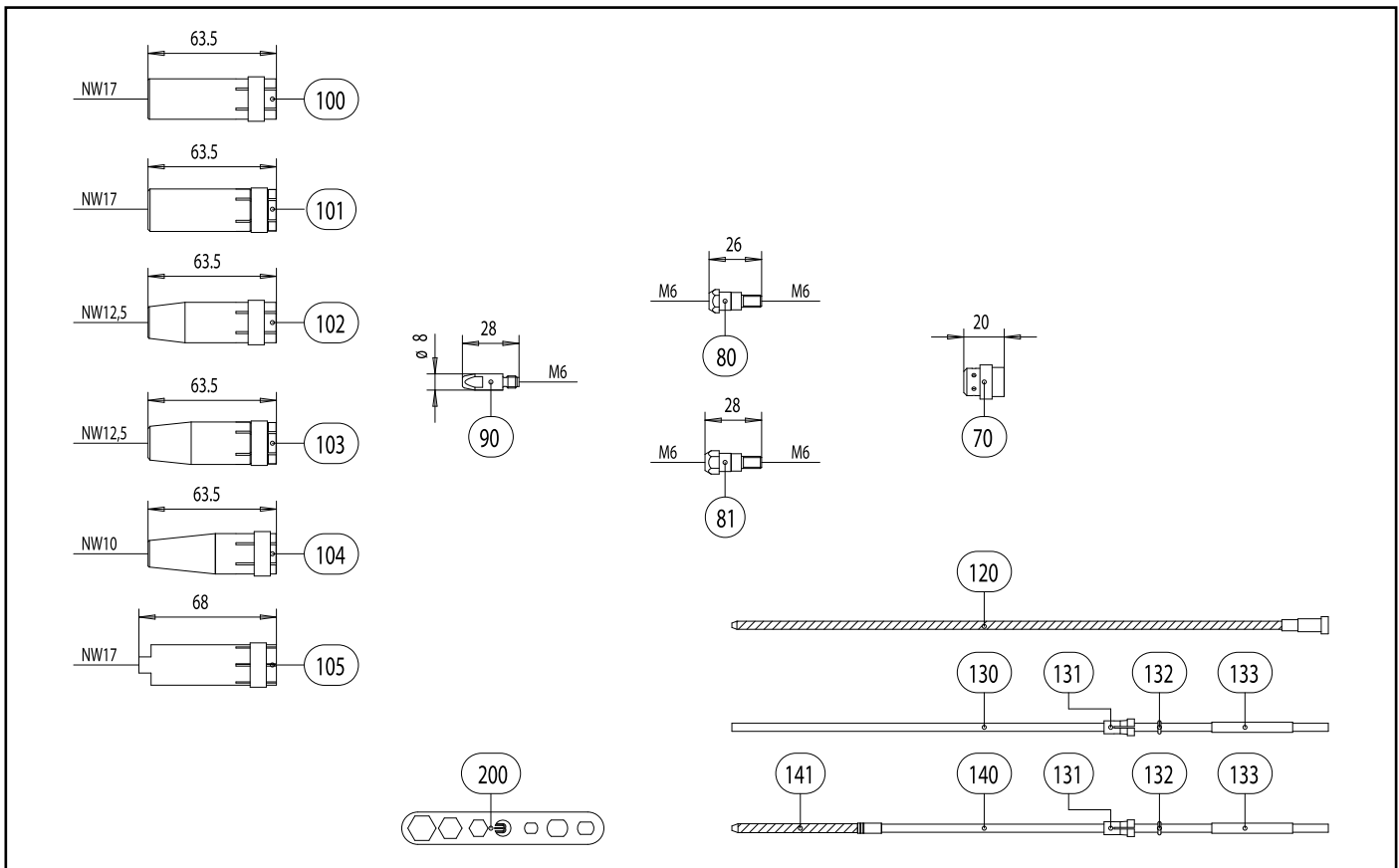
Pos.	Description	Units	Part-No.	Product-group
<b>Torch</b>				
	MB 240 D; ERGO; central adaptor WZ-2; 3.00 m		023.0077	1017
	MB 240 D; ERGO; central adaptor WZ-2; 4.00 m		023.0078	1017
	MB 240 D; ERGO; central adaptor WZ-2; 5.00 m		023.0079	1017
<b>Swan neck</b>				
1	Swan neck MB 240 D; 50° bent		023.0001	1009
<b>Handle ERGO</b>				
10	ERGO handle with trigger cpl.		180.0076	1095
10.1	Trigger 2-pole		185.0031	9010
<b>Cable assembly</b>				
41	Power cable MB ERGO / MB GRIP / ABIMIG® (RBH) for 3.00 m		115.0065	1012
41	Power cable MB ERGO / MB GRIP / ABIMIG® (RBH) for 4.00 m		115.0070	1012
41	Power cable MB ERGO / MB GRIP / ABIMIG® (RBH) for 5.00 m		115.0074	1012
42	Wire conduit MB ERGO / ABIMIG® cpl. red (up to wire Ø 1.2) for 3.00 m		156.0019	1012
42	Wire conduit MB ERGO / ABIMIG® cpl. red (up to wire Ø 1.2) for 4.00 m		156.0023	1012
42	Wire conduit MB ERGO / ABIMIG® cpl. red (up to wire Ø 1.2) for 5.00 m		156.0026	1012
43	Control cable 2-pole	200 m	100.0019	4050
44	Trigger wire connector	20 Pcs.	175.0022	9010
45	Insulating sleeve	20 Pcs.	400.0119	1095
46	Plug	20 Pcs.	175.0004	9010
47	Hose 30 black Ø 4.9x1.5	100 m	109.0040	4050
48	Hose clamp Ø 8.7 mm	100 Pcs.	171.0002	9010
49	Hose 42 RBH black; Ø 5.5x1.5	40 m	109.0052	4050
49.1	Code colour ring blue	20 Pcs.	501.2167	9010
49.2	Code colour ring red	20 Pcs.	501.2166	9010
50	Hose 46 black Ø 5.5x1.5 cpl. with plug nipple ND 5; 0.6 m		103.0108	1095

# MIG/MAG Welding Torches MB ERGO 240 D



Pos.	Description	Units	Part-No.	Product-group
51	Hose clamp $\varnothing$ 9.0 mm with ring (mark 9.5)	100 Pcs.	173.0001	9010
52	Plug nipple ND 5 mm / $\varnothing$ 6.0 mm	20 Pcs.	501.0114	9010
52.1	Fastener cap red	20 Pcs.	501.2423	1095
52.2	Fastener cap blue	20 Pcs.	501.2424	1095
53	Outer cover with cable support $\varnothing$ 25x1.5 for 3.00 m		107.0079	1095
53	Outer cover with cable support $\varnothing$ 25x1.5 for 4.00 m		107.0044	1095
53	Outer cover with cable support $\varnothing$ 25x1.5 for 5.00 m		107.0080	1095
	Outer cover $\varnothing$ 25x1.5	40 m	107.0004	4050
56	Cable support machine side big cpl. ND 31		500.0342	9010
56.1	Cable support spring		500.0233	9010
56.1	Biclip inside		400.0328	9010
56.1	Biclip outside		400.0329	9010
57	Pan head screw M4x6	20 Pcs.	000.0552	9010
57.1	Screw cap 1	20 Pcs.	500.0251	9010
58	Adaptor nut M33x2		500.0213	9010
59	Central adaptor WZ-2		501.0015	9010
60	Coupling nut M10x1	10 Pcs.	501.0082	9010
61	O-Ring 4x1	20 Pcs.	165.0002	9010
62	Trigger wire connector; female	20 Pcs.	175.0003	9010
<b>Wear parts</b>				
70	Gas diffuser, white	10 Pcs.	012.0183	1032
70	Gas diffuser, silicone rubber	10 Pcs.	012.0243	1032
80	Contact tip holder M6; 26.0 mm	10 Pcs.	142.0003	1033
81	Contact tip holder M6; 28.0 mm	10 Pcs.	142.0010	1033
90	Contact tip M6 E-Cu; $\varnothing$ 0.8 (8x28)	10 Pcs.	140.0051	1030
90	Contact tip M6 E-Cu; $\varnothing$ 1.0 (8x28)	10 Pcs.	140.0242	1030

# MIG/MAG Welding Torches MB ERGO 240 D



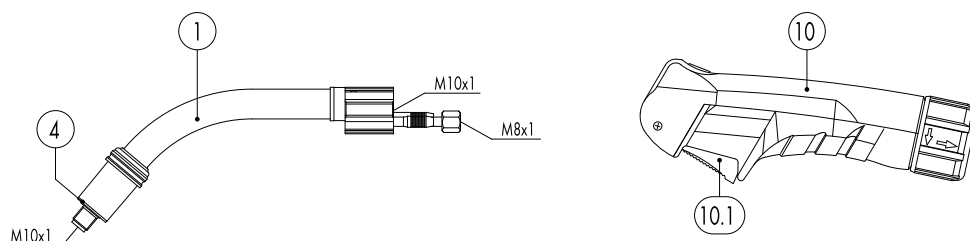
## Pos. Description

Pos.	Description	Units	Part-No.	Product-group
90	Contact tip M6 E-Cu; Ø 1.2 (8x28)	10 Pcs.	140.0379	1030
90	Contact tip M6 CuCrZr; Ø 0.8 (8x28)	10 Pcs.	140.0054	1031
90	Contact tip M6 CuCrZr; Ø 1.0 (8x28)	10 Pcs.	140.0245	1031
90	Contact tip M6 CuCrZr; Ø 1.2 (8x28)	10 Pcs.	140.0382	1031
90	Contact tip M6 E-Cu; Ø 0.8 for alu wire (8x28)	10 Pcs.	141.0001	1030
90	Contact tip M6 E-Cu; Ø 1.0 for alu wire (8x28)	10 Pcs.	141.0006	1030
90	Contact tip M6 E-Cu; Ø 1.2 for alu wire (8x28)	10 Pcs.	141.0010	1030
90	Contact tip M6 CuCrZr silver-plated; Ø 0.8 (8x28)	10 Pcs.	147.0054	1031
90	Contact tip M6 CuCrZr silver-plated; Ø 1.0 (8x28)	10 Pcs.	147.0245	1031
90	Contact tip M6 CuCrZr silver-plated; Ø 1.2 (8x28)	10 Pcs.	147.0382	1031
100	Gas nozzle; cylindrical; ND Ø 17.0	10 Pcs.	145.0047	1036
101	Gas nozzle; cylindrical; heavy duty; ND Ø 17.0	10 Pcs.	145.0062	1036
102	Gas nozzle; conical; ND Ø 12.5	10 Pcs.	145.0080	1036
103	Gas nozzle; conical; heavy duty; ND Ø 12.5	10 Pcs.	145.0101	1036
104	Gas nozzle; tapered; ND Ø 10.0	10 Pcs.	145.0128	1036
105	Spot weld gas nozzle; ND Ø 17.0	10 Pcs.	145.0174	1036
120	Guide spiral liner blank; 1.5/4.0; for wire Ø 0.8; for 3.00 m		122.0005	1034
120	Guide spiral liner blank; 1.5/4.0; for wire Ø 0.8; for 4.00 m		122.0007	1034
120	Guide spiral liner blank; 1.5/4.0; for wire Ø 0.8; for 5.00 m		122.0009	1034
120	Guide spiral liner blank; 2.0/4.5; for wire Ø 1.0-1.2; for 3.00 m		122.0031	1034
120	Guide spiral liner blank; 2.0/4.5; for wire Ø 1.0-1.2; for 4.00 m		122.0036	1034
120	Guide spiral liner blank; 2.0/4.5; for wire Ø 1.0-1.2; for 5.00 m		122.0039	1034
130	PTFE core liner 1.5/4.0; blue; wire electrode Ø 0.8-1.0; for 3.00 m		126.0005	1034
130	PTFE core liner 1.5/4.0; blue; wire electrode Ø 0.8-1.0; for 4.00 m		126.0008	1034
130	PTFE core liner 1.5/4.0; blue; wire electrode Ø 0.8-1.0; for 5.00 m		126.0011	1034
130	PTFE core liner 2.0/4.0; red; wire electrode Ø 1.0-1.2; for 3.00 m		126.0021	1034

# MIG/MAG Welding Torches MB ERGO 240 D

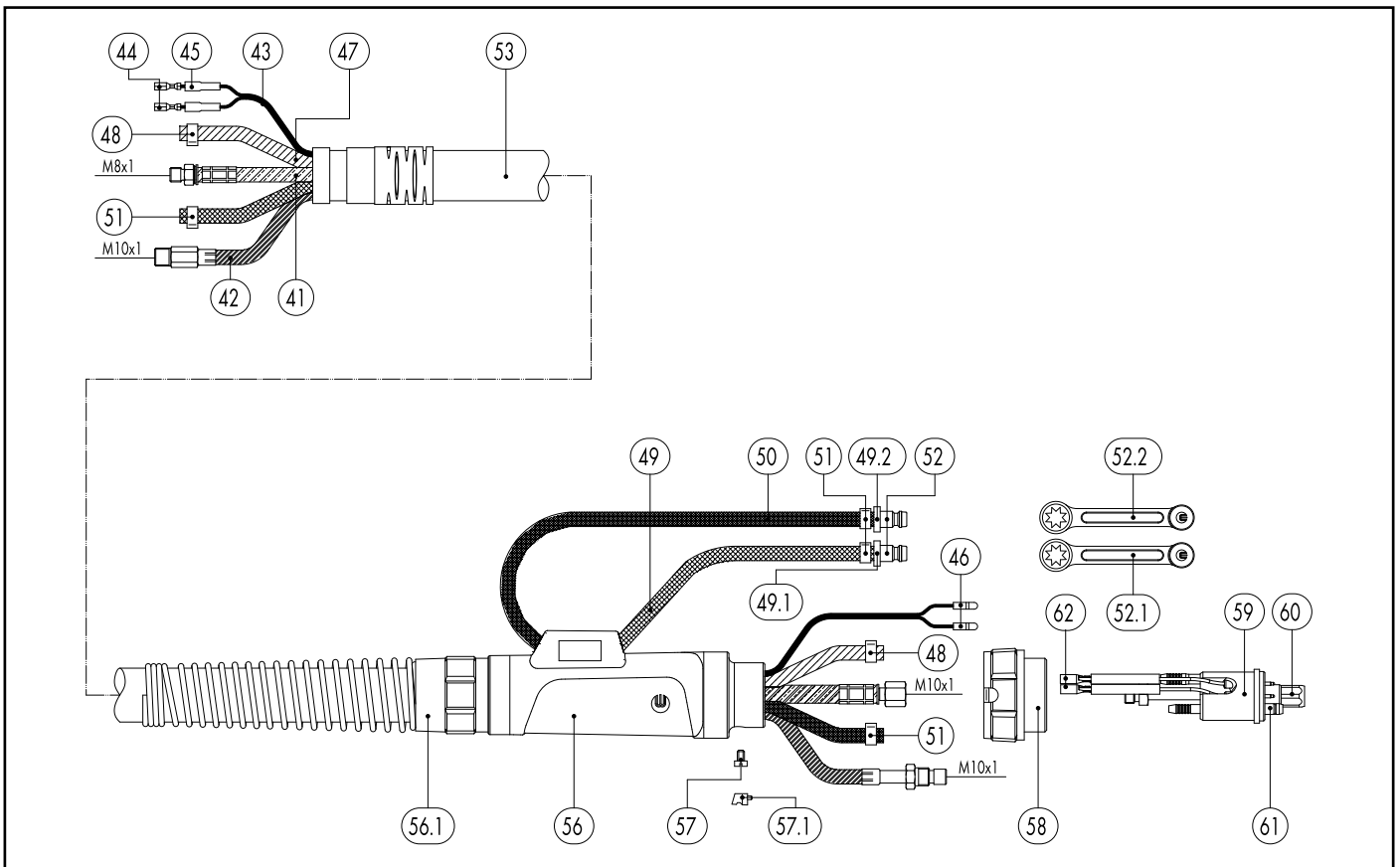
Pos.	Description	Units	Part-No.	Product-group
130	PTFE core liner 2.0/4.0; red; wire electrode Ø 1.0-1.2; for 4.00 m		126.0026	1034
130	PTFE core liner 2.0/4.0; red; wire electrode Ø 1.0-1.2; for 5.00 m		126.0028	1034
130	PTFE carbon core liner 1.5/4.0; wire electrode Ø 0.8-1.0; for 3.00 m		127.0002	1034
130	PTFE carbon core liner 1.5/4.0; wire electrode Ø 0.8-1.0; for 4.00 m		127.0003	1034
130	PTFE carbon core liner 1.5/4.0; wire electrode Ø 0.8-1.0; for 5.00 m		127.0004	1034
130	PTFE carbon core liner 2.0/4.0; wire electrode Ø 1.0-1.2; for 3.00 m		127.0005	1034
130	PTFE carbon core liner 2.0/4.0; wire electrode Ø 1.0-1.2; for 4.00 m		127.0007	1034
130	PTFE carbon core liner 2.0/4.0; wire electrode Ø 1.0-1.2; for 5.00 m		127.0008	1034
131	Nipple for core liner at Ø 4.0	20 Pcs.	131.0001	1095
132	O-Ring 3.5x1.5	20 Pcs.	165.0008	9010
133	Guide tube for core liners up to Ø 4.0 (200 mm)	10 Pcs.	129.0461	1095
140	Combined wire guide cpl. polyamide/brass; wire Ø 1.0-1.2; for 3.00 m		128.M002	1034
140	Combined wire guide cpl. polyamide/brass; wire Ø 1.0-1.2; for 4.00 m		128.M003	1034
140	Combined wire guide cpl. polyamide/brass; wire Ø 1.0-1.2; for 5.00 m		128.M004	1034
141	Brass spiral made up with sleeve (200 mm)	10 Pcs.	001.0305	1095
200	Spanner Standard		191.0001	9010

# MIG/MAG Welding Torches MB ERGO 401 / MB ERGO 401 D



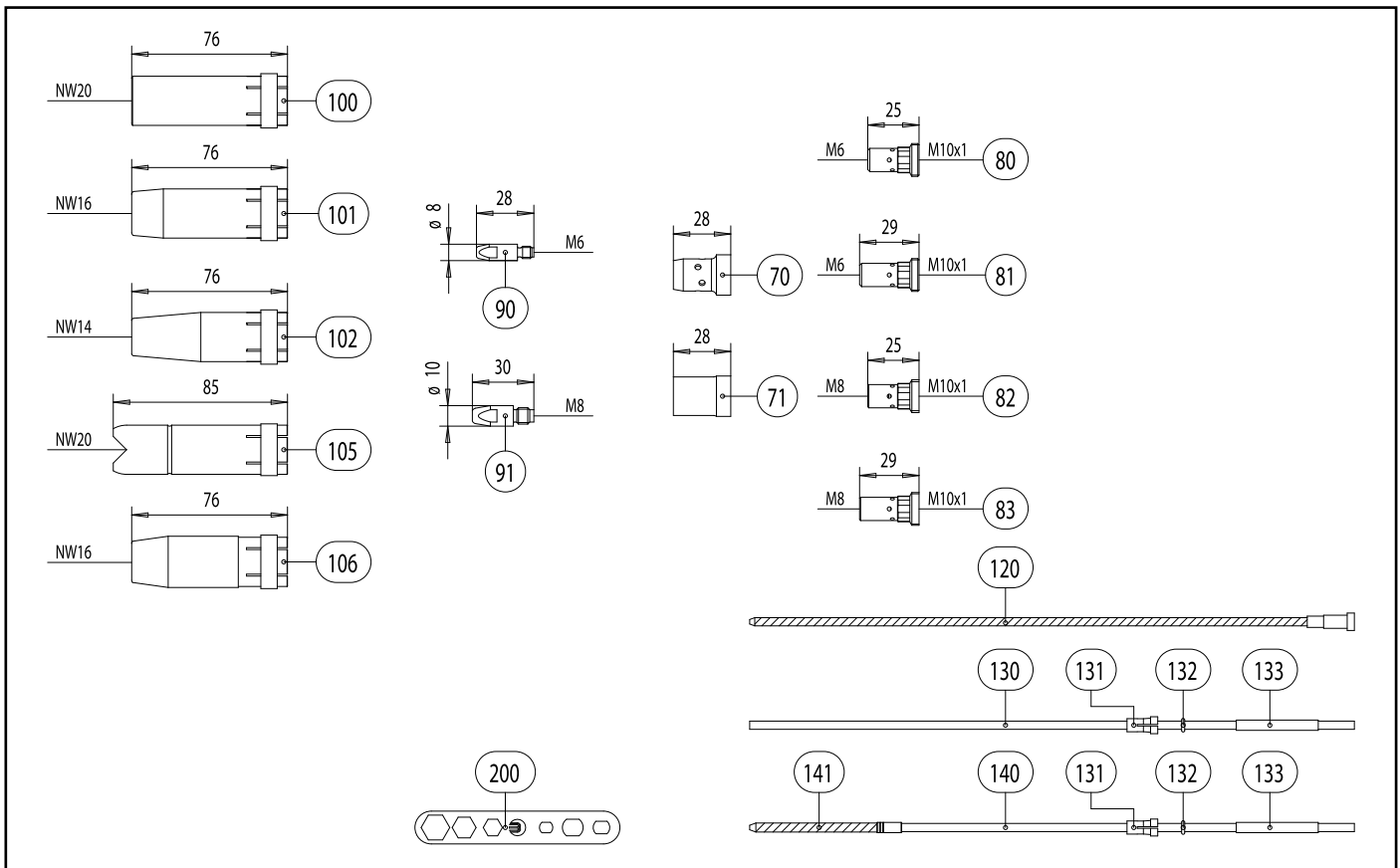
Pos.	Description	Units	Part-No.	Product-group
<b>Torch (D-Version)</b>				
	MB 401 D; ERGO; central adaptor WZ-2; 3.00 m		033.0107	1017
	MB 401 D; ERGO; central adaptor WZ-2; 4.00 m		033.0108	1017
	MB 401 D; ERGO; central adaptor WZ-2; 5.00 m		033.0109	1017
<b>Torch</b>				
	MB 401; ERGO; central adaptor WZ-2; 3.00 m		030.0125	1017
	MB 401; ERGO; central adaptor WZ-2; 4.00 m		030.0126	1017
	MB 401; ERGO; central adaptor WZ-2; 5.00 m		030.0127	1017
<b>Swan neck (D-Version)</b>				
1	Swan neck MB 401 D; 50° bent		033.0001	1009
4	Insulator	20 Pcs.	030.0019	1095
<b>Handle ERGO</b>				
10	ERGO handle with trigger cpl.		180.0076	1095
10.1	Trigger 2-pole		185.0031	9010
<b>Cable assembly</b>				
41	Power cable MB ERGO / MB GRIP / ABIMIG® (RBH) for 3.00 m		115.0065	1012
41	Power cable MB ERGO / MB GRIP / ABIMIG® (RBH) for 4.00 m		115.0070	1012
41	Power cable MB ERGO / MB GRIP / ABIMIG® (RBH) for 5.00 m		115.0074	1012
42	Wire conduit MB ERGO / ABIMIG® cpl. red (up to wire Ø 1.2) for 3.00 m		156.0019	1012
42	Wire conduit MB ERGO / ABIMIG® cpl. red (up to wire Ø 1.2) for 4.00 m		156.0023	1012
42	Wire conduit MB ERGO / ABIMIG® cpl. red (up to wire Ø 1.2) for 5.00 m		156.0026	1012
43	Control cable 2-pole	200 m	100.0019	4050
44	Trigger wire connector	20 Pcs.	175.0022	9010
45	Insulating sleeve	20 Pcs.	400.0119	1095
46	Plug	20 Pcs.	175.0004	9010
47	Hose 30 black Ø 4.9x1.5	100 m	109.0040	4050

# MIG/MAG Welding Torches MB ERGO 401 / MB ERGO 401 D



Pos.	Description	Units	Part-No.	Product-group
48	Hose clamp $\varnothing$ 8.7 mm	100 Pcs.	171.0002	9010
49	Hose 42 RBH black; $\varnothing$ 5.5x1.5	40 m	109.0052	4050
49.1	Code colour ring blue	20 Pcs.	501.2167	9010
49.2	Code colour ring red	20 Pcs.	501.2166	9010
50	Hose 46 black $\varnothing$ 5.5x1.5 cpl. with plug nipple ND 5; 0.6 m		103.0108	1095
51	Hose clamp $\varnothing$ 9.0 mm with ring (mark 9.5)	100 Pcs.	173.0001	9010
52	Plug nipple ND 5 mm / $\varnothing$ 6.0 mm	20 Pcs.	501.0114	9010
52.1	Fastener cap red	20 Pcs.	501.2423	1095
52.2	Fastener cap blue	20 Pcs.	501.2424	1095
53	Outer cover with cable support $\varnothing$ 25x1.5 for 3.00 m		107.0079	1095
53	Outer cover with cable support $\varnothing$ 25x1.5 for 4.00 m		107.0044	1095
53	Outer cover with cable support $\varnothing$ 25x1.5 for 5.00 m		107.0080	1095
	Outer cover $\varnothing$ 25x1.5	40 m	107.0004	4050
56	Cable support machine side big cpl. ND 31		500.0342	9010
56.1	Cable support spring		500.0233	9010
56.1	Biclip inside		400.0328	9010
56.1	Biclip outside		400.0329	9010
57	Pan head screw M4x6	20 Pcs.	000.0552	9010
57.1	Screw cap 1	20 Pcs.	500.0251	9010
58	Adaptor nut M33x2		500.0213	9010
59	Central adaptor WZ-2		501.0015	9010
60	Coupling nut M10x1	10 Pcs.	501.0082	9010
61	O-Ring 4x1	20 Pcs.	165.0002	9010
62	Trigger wire connector; female	20 Pcs.	175.0003	9010
	<b>Wear parts MB 401 / 401 D</b>			
70	Gas diffuser, white	10 Pcs.	030.0145	1032

# MIG/MAG Welding Torches MB ERGO 401 / MB ERGO 401 D



## Pos. Description

## Units

## Part-No.

## Product-group

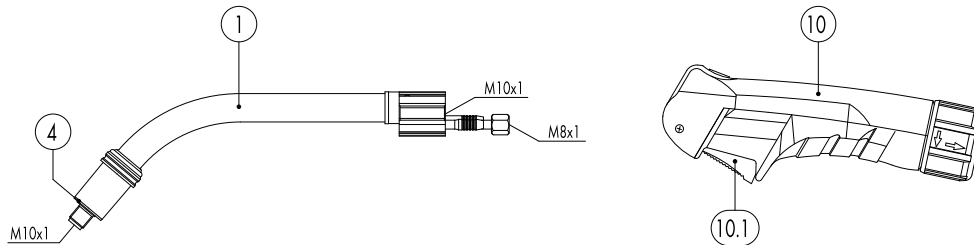
70	Gas diffuser, long life	10 Pcs.	030.0037	1032
70	Gas diffuser, ceramic	10 Pcs.	030.0190	1032
71	Nozzle insulator	10 Pcs.	146.0013	1032
<b>Wear parts MB 401 D</b>				
80	Contact tip holder M6; 25.0 mm (short)	10 Pcs.	142.0008	1033
81	Contact tip holder M6; 29.0 mm (long)	10 Pcs.	142.0013	1033
82	Contact tip holder M8; 25.0 mm (short)	10 Pcs.	142.0022	1033
	Contact tip holder M8; 27.0 mm; CuCrZr	10 Pcs.	142.0201.10	1033
83	Contact tip holder M8; 29.0 mm (long)	10 Pcs.	142.0027	1033
<b>Wear parts MB 401 / 401 D</b>				
90	Contact tip M6 E-Cu; Ø 0.8 (8x28)	10 Pcs.	140.0051	1030
90	Contact tip M6 E-Cu; Ø 1.0 (8x28)	10 Pcs.	140.0242	1030
90	Contact tip M6 E-Cu; Ø 1.2 (8x28)	10 Pcs.	140.0379	1030
90	Contact tip M6 CuCrZr; Ø 0.8 (8x28)	10 Pcs.	140.0054	1031
90	Contact tip M6 CuCrZr; Ø 1.0 (8x28)	10 Pcs.	140.0245	1031
90	Contact tip M6 CuCrZr; Ø 1.2 (8x28)	10 Pcs.	140.0382	1031
90	Contact tip M6 E-Cu; Ø 0.8 for alu wire (8x28)	10 Pcs.	141.0001	1030
90	Contact tip M6 E-Cu; Ø 1.0 for alu wire (8x28)	10 Pcs.	141.0006	1030
90	Contact tip M6 CuCrZr silver-plated; Ø 0.8 (8x28)	10 Pcs.	147.0054	1031
90	Contact tip M6 E-Cu; Ø 1.2 for alu wire (8x28)	10 Pcs.	141.0010	1030
90	Contact tip M6 CuCrZr silver-plated; Ø 1.0 (8x28)	10 Pcs.	147.0245	1031
90	Contact tip M6 CuCrZr silver-plated; Ø 1.2 (8x28)	10 Pcs.	147.0382	1031
91	Contact tip M8 E-Cu; Ø 0.8 (10x30)	10 Pcs.	140.0114	1030
91	Contact tip M8 E-Cu; Ø 1.0 (10x30)	10 Pcs.	140.0313	1030
91	Contact tip M8 E-Cu; Ø 1.2 (10x30)	10 Pcs.	140.0442	1030
91	Contact tip M8 CuCrZr; Ø 0.8 (10x30)	10 Pcs.	140.0117	1031



# MIG/MAG Welding Torches MB ERGO 401 / MB ERGO 401 D

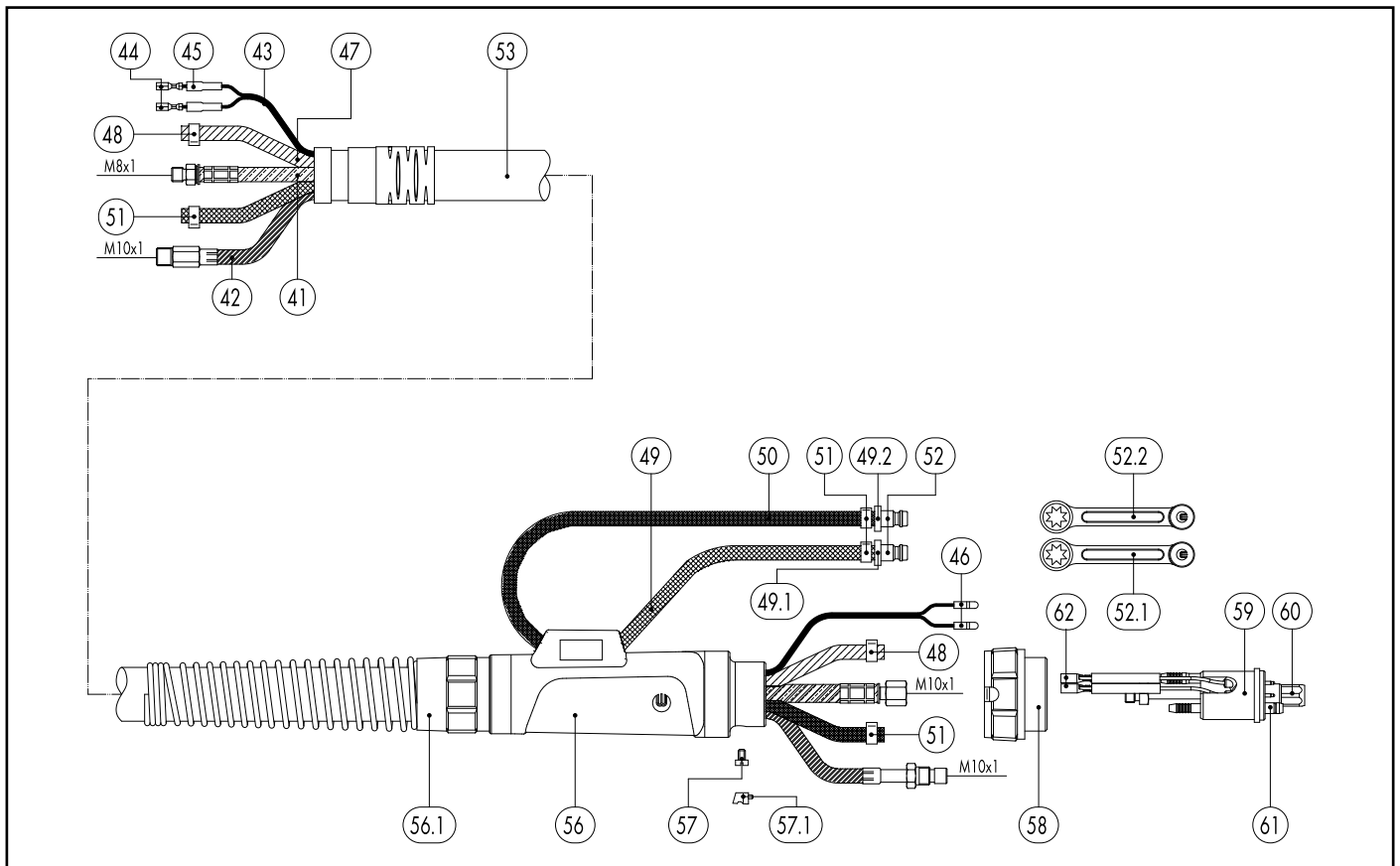
Pos.	Description	Units	Part-No.	Product-group
91	Contact tip M8 CuCrZr; Ø 1.0 (10x30)	10 Pcs.	140.0316	1031
91	Contact tip M8 CuCrZr; Ø 1.2 (10x30)	10 Pcs.	140.0445	1031
91	Contact tip M8 CuCrZr silver-plated; Ø 0.8 (10x30)	10 Pcs.	147.0117	1031
91	Contact tip M8 CuCrZr silver-plated; Ø 1.0 (10x30)	10 Pcs.	147.0316	1031
91	Contact tip M8 CuCrZr silver-plated; Ø 1.2 (10x30)	10 Pcs.	147.0445	1031
91	Contact tip M8 E-Cu; Ø 0.8 for alu wire (10x30)	10 Pcs.	141.0003	1030
91	Contact tip M8 E-Cu; Ø 1.0 for alu wire (10x30)	10 Pcs.	141.0008	1030
91	Contact tip M8 E-Cu; Ø 1.2 for alu wire (10x30)	10 Pcs.	141.0015	1030
100	Gas nozzle; cylindrical; ND Ø 20.0	10 Pcs.	145.0051	1037
101	Gas nozzle; conical; ND Ø 16.0	10 Pcs.	145.0085	1037
102	Gas nozzle; tapered; ND Ø 14.0	10 Pcs.	145.0132	1037
105	Spot weld gas nozzle; ND Ø 20.0	10 Pcs.	145.0179	1037
106	Gas nozzle; heavy duty; ND Ø 16.0 (only use with nozzle insulator)	10 Pcs.	145.0086	1037
120	Guide spiral liner blank; 1.5/4.0; for wire Ø 0.8; for 3.00 m		122.0005	1034
120	Guide spiral liner blank; 1.5/4.0; for wire Ø 0.8; for 4.00 m		122.0007	1034
120	Guide spiral liner blank; 1.5/4.0; for wire Ø 0.8; for 5.00 m		122.0009	1034
120	Guide spiral liner blank; 2.0/4.5; for wire Ø 1.0–1.2; for 3.00 m		122.0031	1034
120	Guide spiral liner blank; 2.0/4.5; for wire Ø 1.0–1.2; for 4.00 m		122.0036	1034
120	Guide spiral liner blank; 2.0/4.5; for wire Ø 1.0–1.2; for 5.00 m		122.0039	1034
130	PTFE core liner 1.5/4.0; blue; wire electrode Ø 0.8–1.0; for 3.00 m		126.0005	1034
130	PTFE core liner 1.5/4.0; blue; wire electrode Ø 0.8–1.0; for 4.00 m		126.0008	1034
130	PTFE core liner 1.5/4.0; blue; wire electrode Ø 0.8–1.0; for 5.00 m		126.0011	1034
130	PTFE core liner 2.0/4.0; red; wire electrode Ø 1.0–1.2; for 3.00 m		126.0021	1034
130	PTFE core liner 2.0/4.0; red; wire electrode Ø 1.0–1.2; for 4.00 m		126.0026	1034
130	PTFE core liner 2.0/4.0; red; wire electrode Ø 1.0–1.2; for 5.00 m		126.0028	1034
130	PTFE carbon core liner 1.5/4.0; wire electrode Ø 0.8–1.0; for 3.00 m		127.0002	1034
130	PTFE carbon core liner 1.5/4.0; wire electrode Ø 0.8–1.0; for 4.00 m		127.0003	1034
130	PTFE carbon core liner 1.5/4.0; wire electrode Ø 0.8–1.0; for 5.00 m		127.0004	1034
130	PTFE carbon core liner 2.0/4.0; wire electrode Ø 1.0–1.2; for 3.00 m		127.0005	1034
130	PTFE carbon core liner 2.0/4.0; wire electrode Ø 1.0–1.2; for 4.00 m		127.0007	1034
130	PTFE carbon core liner 2.0/4.0; wire electrode Ø 1.0–1.2; for 5.00 m		127.0008	1034
131	Nipple for core liner at Ø 4.0	20 Pcs.	131.0001	1095
132	O-Ring 3.5x1.5	20 Pcs.	165.0008	9010
133	Guide tube for core liners up to Ø 4.0 (200 mm)	10 Pcs.	129.0461	1095
140	Combined wire guide cpl. polyamide/brass; wire Ø 1.0–1.2; for 3.00 m		128.M002	1034
140	Combined wire guide cpl. polyamide/brass; wire Ø 1.0–1.2; for 4.00 m		128.M003	1034
140	Combined wire guide cpl. polyamide/brass; wire Ø 1.0–1.2; for 5.00 m		128.M004	1034
141	Brass spiral made up with sleeve (200 mm)	10 Pcs.	001.0305	1095
200	Spanner Standard		191.0001	9010

# MIG/MAG Welding Torches MB ERGO 501 / 501 D



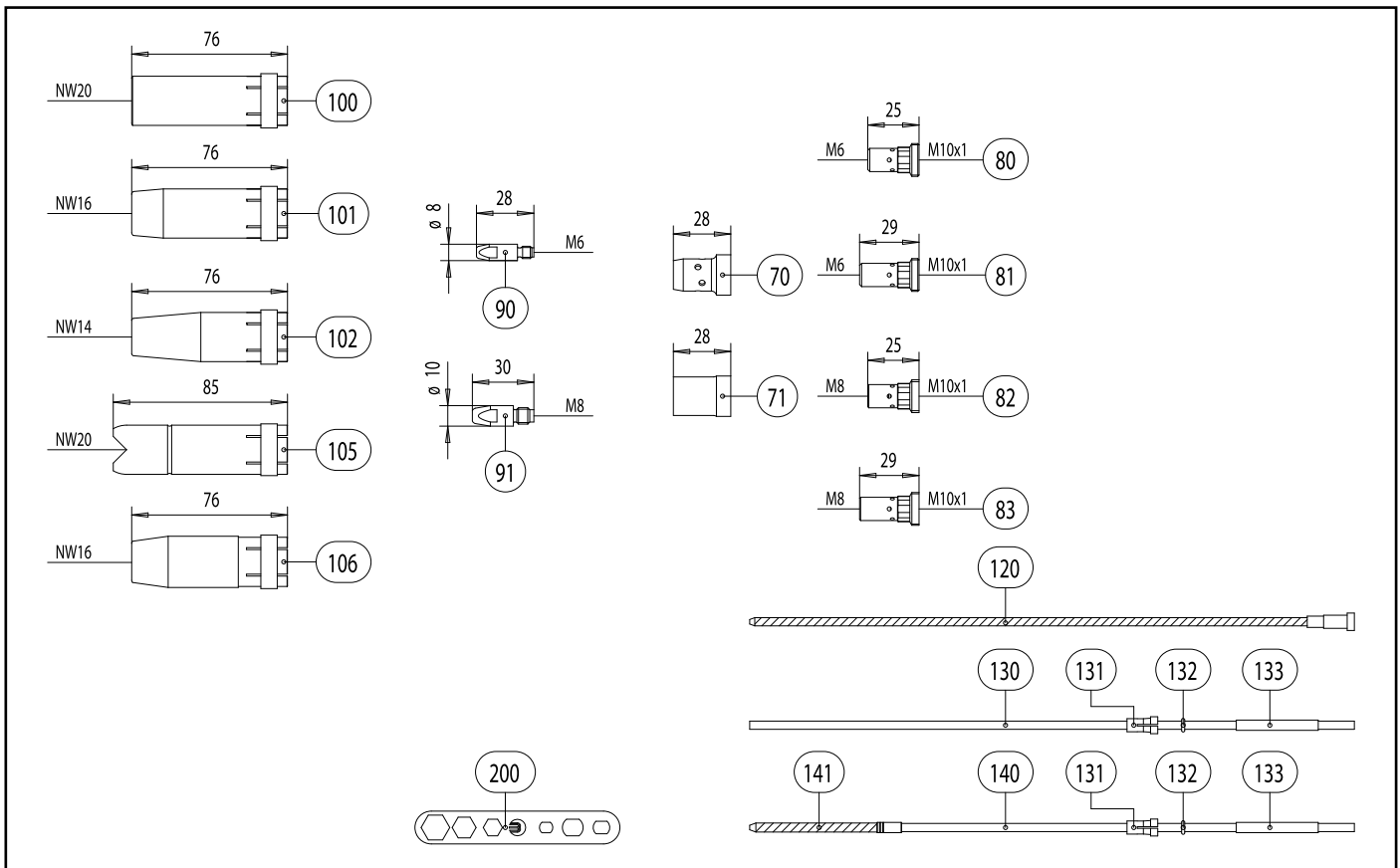
Pos.	Description	Units	Part-No.	Product-group
<b>Torch (D-Version)</b>				
	MB 501 D; ERGO; central adaptor WZ-2; 3.00 m		034.0160	1017
	MB 501 D; ERGO; central adaptor WZ-2; 4.00 m		034.0161	1017
	MB 501 D; ERGO; central adaptor WZ-2; 5.00 m		034.0162	1017
<b>Torch</b>				
	MB 501; ERGO; central adaptor WZ-2; 3.00 m		032.0145	1017
	MB 501; ERGO; central adaptor WZ-2; 4.00 m		032.0146	1017
	MB 501; ERGO; central adaptor WZ-2; 5.00 m		032.0147	1017
<b>Swan neck (D-Version)</b>				
1	Swan neck MB 501 D; 50° bent		034.0001	1009
4	Insulator	20 Pcs.	030.0019	1095
<b>Swan neck</b>				
	Swan neck MB 501; 50° bent		032.0002	1009
<b>Handle ERGO</b>				
10	ERGO handle with trigger cpl.		180.0076	1095
10.1	Trigger 2-pole		185.0031	9010
<b>Cable assembly</b>				
41	Power cable MB ERGO / MB GRIP / ABIMIG® (RBH) for 3.00 m		115.0065	1012
41	Power cable MB ERGO / MB GRIP / ABIMIG® (RBH) for 4.00 m		115.0070	1012
41	Power cable MB ERGO / MB GRIP / ABIMIG® (RBH) for 5.00 m		115.0074	1012
42	Wire conduit MB ERGO / ABIMIG® cpl. red (up to wire Ø 1.2) for 3.00 m		156.0019	1012
42	Wire conduit MB ERGO / ABIMIG® cpl. red (up to wire Ø 1.2) for 4.00 m		156.0023	1012
42	Wire conduit MB ERGO / ABIMIG® cpl. red (up to wire Ø 1.2) for 5.00 m		156.0026	1012
42	Wire conduit MB ERGO / ABIMIG® cpl. blue (wire Ø 1.6 onwards) for 3.00 m		155.0008	1012
42	Wire conduit MB ERGO / ABIMIG® cpl. blue (wire Ø 1.6 onwards) for 4.00 m		155.0009	1012
42	Wire conduit MB ERGO / ABIMIG® cpl. blue (wire Ø 1.6 onwards) for 5.00 m		155.0010	1012

# MIG/MAG Welding Torches MB ERGO 501 / 501 D



Pos.	Description	Units	Part-No.	Product-group
43	Control cable 2-pole	200 m	100.0019	4050
44	Trigger wire connector	20 Pcs.	175.0022	9010
45	Insulating sleeve	20 Pcs.	400.0119	1095
46	Plug	20 Pcs.	175.0004	9010
47	Hose 30 black Ø 4.9x1.5	100 m	109.0040	4050
48	Hose clamp Ø 8.7 mm	100 Pcs.	171.0002	9010
49	Hose 42 RBH black; Ø 5.5x1.5	40 m	109.0052	4050
49.1	Code colour ring blue	20 Pcs.	501.2167	9010
49.2	Code colour ring red	20 Pcs.	501.2166	9010
50	Hose 46 black Ø 5.5x1.5 cpl. with plug nipple ND 5; 0.6 m		103.0108	1095
51	Hose clamp Ø 9.0 mm with ring (mark 9.5)	100 Pcs.	173.0001	9010
52	Plug nipple ND 5 mm / Ø 6.0 mm	20 Pcs.	501.0114	9010
52.1	Fastener cap red	20 Pcs.	501.2423	1095
52.2	Fastener cap blue	20 Pcs.	501.2424	1095
53	Outer cover with cable support Ø 25x1.5 for 3.00 m		107.0079	1095
53	Outer cover with cable support Ø 25x1.5 for 4.00 m		107.0044	1095
53	Outer cover with cable support Ø 25x1.5 for 5.00 m		107.0080	1095
	Outer cover Ø 25x1.5	40 m	107.0004	4050
56	Cable support machine side big cpl. ND 31		500.0342	9010
56.1	Cable support spring		500.0233	9010
56.1	Biclip inside		400.0328	9010
56.1	Biclip outside		400.0329	9010
57	Pan head screw M4x6	20 Pcs.	000.0552	9010
57.1	Screw cap 1	20 Pcs.	500.0251	9010
58	Adaptor nut M33x2		500.0213	9010
59	Central adaptor WZ-2		501.0015	9010

# MIG/MAG Welding Torches MB ERGO 501 / 501 D

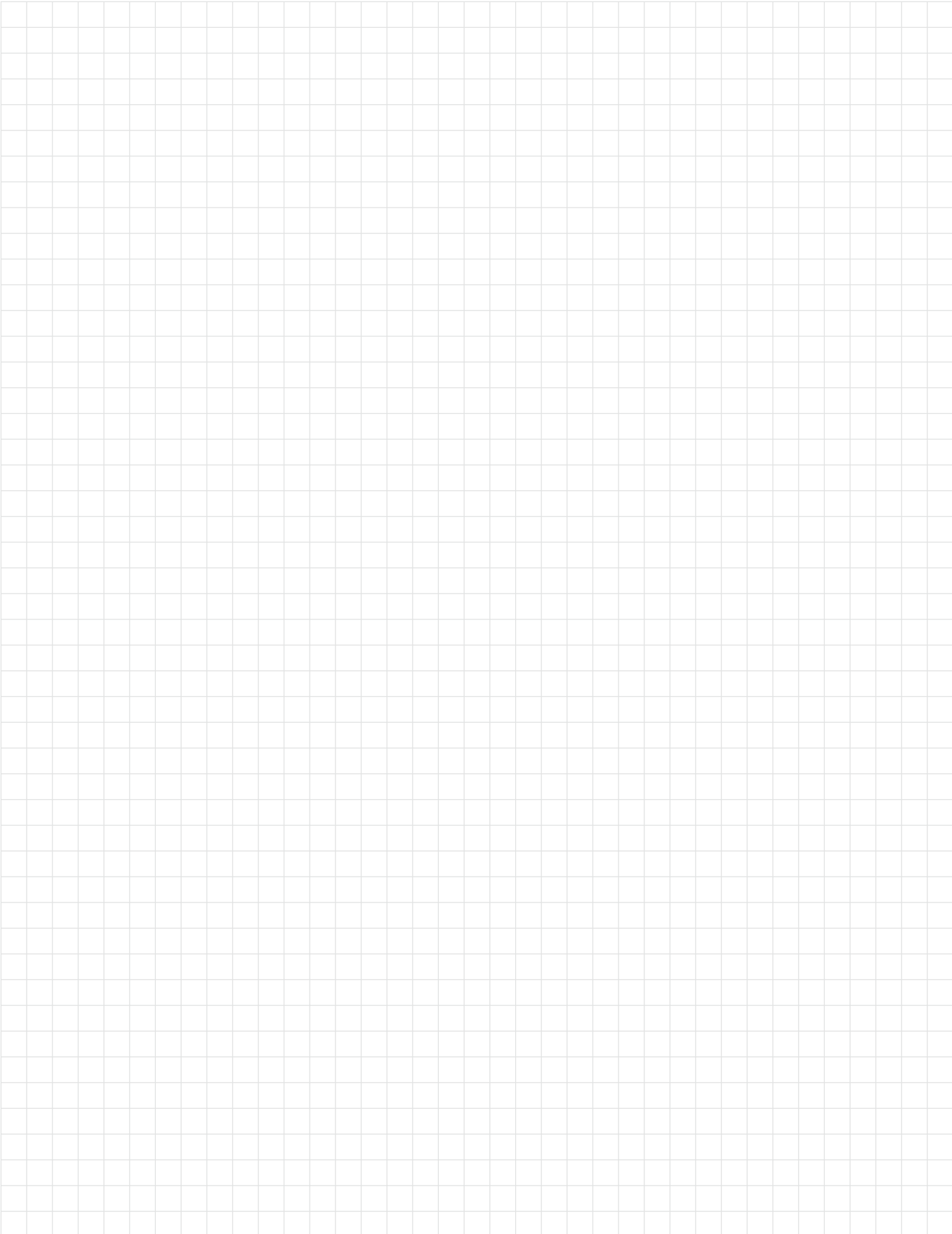


## Pos. Description

Pos.	Description	Units	Part-No.	Product-group
60	Coupling nut M10x1	10 Pcs.	501.0082	9010
61	O-Ring 4x1	20 Pcs.	165.0002	9010
62	Trigger wire connector; female	20 Pcs.	175.0003	9010
<b>Wear parts MB 501 / 501 D</b>				
70	Gas diffuser, white	10 Pcs.	030.0145	1032
70	Gas diffuser, ceramic	10 Pcs.	030.0190	1032
70	Gas diffuser, long life	10 Pcs.	030.0037	1032
71	Nozzle insulator	10 Pcs.	146.0013	1032
<b>Wear parts MB 501 D</b>				
80	Contact tip holder M6; 25.0 mm (short)	10 Pcs.	142.0008	1033
81	Contact tip holder M6; 29.0 mm (long)	10 Pcs.	142.0013	1033
82	Contact tip holder M8; 25.0 mm (short)	10 Pcs.	142.0022	1033
	Contact tip holder M8; 27.0 mm; CuCrZr	10 Pcs.	142.0201.10	1033
83	Contact tip holder M8; 29.0 mm (long)	10 Pcs.	142.0027	1033
<b>Wear parts MB 501 / 501 D</b>				
90	Contact tip M6 E-Cu; Ø 1.0 (8x28)	10 Pcs.	140.0242	1030
90	Contact tip M6 E-Cu; Ø 1.2 (8x28)	10 Pcs.	140.0379	1030
90	Contact tip M6 E-Cu; Ø 1.6 (8x28)	10 Pcs.	140.0555	1030
90	Contact tip M6 CuCrZr; Ø 1.0 (8x28)	10 Pcs.	140.0245	1031
90	Contact tip M6 CuCrZr; Ø 1.2 (8x28)	10 Pcs.	140.0382	1031
90	Contact tip M6 CuCrZr; Ø 1.6 (8x28)	10 Pcs.	140.0558	1031
90	Contact tip M6 E-Cu; Ø 1.0 for alu wire (8x28)	10 Pcs.	141.0006	1030
90	Contact tip M6 CuCrZr silver-plated; Ø 1.0 (8x28)	10 Pcs.	147.0245	1031
90	Contact tip M6 CuCrZr silver-plated; Ø 1.2 (8x28)	10 Pcs.	147.0382	1031
90	Contact tip M6 E-Cu; Ø 1.2 for alu wire (8x28)	10 Pcs.	141.0010	1030
90	Contact tip M6 E-Cu; Ø 1.6 for alu wire (8x28)	10 Pcs.	141.0020	1030

# MIG/MAG Welding Torches MB ERGO 501 / 501 D

Pos.	Description	Units	Part-No.	Product-group
91	Contact tip M8 E-Cu; Ø 1.0 (10x30)	10 Pcs.	140.0313	1030
91	Contact tip M8 E-Cu; Ø 1.2 (10x30)	10 Pcs.	140.0442	1030
91	Contact tip M8 E-Cu; Ø 1.6 (10x30)	10 Pcs.	140.0587	1030
91	Contact tip M8 CuCrZr; Ø 1.0 (10x30)	10 Pcs.	140.0316	1031
91	Contact tip M8 CuCrZr; Ø 1.2 (10x30)	10 Pcs.	140.0445	1031
91	Contact tip M8 CuCrZr; Ø 1.6 (10x30)	10 Pcs.	140.0590	1031
91	Contact tip M8 CuCrZr silver-plated; Ø 1.0 (10x30)	10 Pcs.	147.0316	1031
91	Contact tip M8 CuCrZr silver-plated; Ø 1.2 (10x30)	10 Pcs.	147.0445	1031
91	Contact tip M8 CuCrZr silver-plated; Ø 1.6 (10x30)	10 Pcs.	147.0590	1031
91	Contact tip M8 E-Cu; Ø 1.0 for alu wire (10x30)	10 Pcs.	141.0008	1030
91	Contact tip M8 E-Cu; Ø 1.2 for alu wire (10x30)	10 Pcs.	141.0015	1030
91	Contact tip M8 E-Cu; Ø 1.6 for alu wire (10x30)	10 Pcs.	141.0022	1030
100	Gas nozzle; cylindrical; ND Ø 20.0	10 Pcs.	145.0051	1037
101	Gas nozzle; conical; ND Ø 16.0	10 Pcs.	145.0085	1037
102	Gas nozzle; tapered; ND Ø 14.0	10 Pcs.	145.0132	1037
105	Spot weld gas nozzle; ND Ø 20.0	10 Pcs.	145.0179	1037
106	Gas nozzle; heavy duty; ND Ø 16.0 (only use with nozzle insulator)	10 Pcs.	145.0086	1037
120	Guide spiral liner blank; 2.0/4.5; for wire Ø 1.0–1.2; for 3.00 m		122.0031	1034
120	Guide spiral liner blank; 2.0/4.5; for wire Ø 1.0–1.2; for 4.00 m		122.0036	1034
120	Guide spiral liner blank; 2.0/4.5; for wire Ø 1.0–1.2; for 5.00 m		122.0039	1034
120	Guide spiral liner blank; 2.5/4.5; for wire Ø 1.6; for 3.00 m		122.0056	1034
120	Guide spiral liner blank; 2.5/4.5; for wire Ø 1.6; for 4.00 m		122.0060	1034
120	Guide spiral liner blank; 2.5/4.5; for wire Ø 1.6; for 5.00 m		122.0063	1034
130	PTFE core liner 2.0/4.0; red; wire electrode Ø 1.0–1.2; for 3.00 m		126.0021	1034
130	PTFE core liner 2.0/4.0; red; wire electrode Ø 1.0–1.2; for 4.00 m		126.0026	1034
130	PTFE core liner 2.0/4.0; red; wire electrode Ø 1.0–1.2; for 5.00 m		126.0028	1034
130	PTFE core liner 2.7/4.7; yellow; wire electrode Ø 1.6; for 3.00 m		126.0039	1034
130	PTFE core liner 2.7/4.7; yellow; wire electrode Ø 1.6; for 4.00 m		126.0042	1034
130	PTFE core liner 2.7/4.7; yellow; wire electrode Ø 1.6; for 5.00 m		126.0045	1034
130	PTFE carbon core liner 2.0/4.0; wire electrode Ø 1.0–1.2; for 3.00 m		127.0005	1034
130	PTFE carbon core liner 2.0/4.0; wire electrode Ø 1.0–1.2; for 4.00 m		127.0007	1034
130	PTFE carbon core liner 2.0/4.0; wire electrode Ø 1.0–1.2; for 5.00 m		127.0008	1034
130	PTFE carbon core liner 2.7/4.7; wire electrode Ø 1.6; for 3.00 m		127.0010	1034
130	PTFE carbon core liner 2.7/4.7; wire electrode Ø 1.6; for 4.00 m		127.0012	1034
130	PTFE carbon core liner 2.7/4.7; wire electrode Ø 1.6; for 5.00 m		127.0013	1034
131	Nipple for core liner at Ø 4.0	20 Pcs.	131.0001	1095
131	Nipple for core liner at Ø 4.7	20 Pcs.	131.0002	1095
132	O-Ring 3.5x1.5	20 Pcs.	165.0008	9010
133	Guide tube for core liners up to Ø 4.0 (200 mm)	10 Pcs.	129.0461	1095
140	Combined wire guide cpl. polyamide/brass; wire Ø 1.0–1.2; for 3.00 m		128.M002	1034
140	Combined wire guide cpl. polyamide/brass; wire Ø 1.0–1.2; for 4.00 m		128.M003	1034
140	Combined wire guide cpl. polyamide/brass; wire Ø 1.0–1.2; for 5.00 m		128.M004	1034
141	Brass spiral made up with sleeve (200 mm)	10 Pcs.	001.0305	1095
200	Spanner Standard		191.0001	9010



## MIG/MAG Welding Torches

# MB GRIP

## air and liquid cooled

### “Ergonomics & flexibility in perfection”

The MIG/MAG Torch series “MB GRIP”, in air and liquid cooled varieties is the finest solution of its kind. It combines progressive technology and quality with optimum ergonomics, enabling trouble-free operation for every application.

“GRIP” insert and ball joint in the handle guarantees high grip safety as well as optimal handling. All torches are carefully designed to provide comfortable and precise operation

- Ergonomic short handle with “GRIP” insert – for best accessibility
- “GRIP” soft components on the handle and thumb rest – positive handling even in extreme conditions
- Short ball joint with optimum movement radius – perfect handling
- Optimum cooling of the torch – extending torch life
- Bikox® R air cooled torches – high flexibility even at low temperatures, extremely UV resistant, considerably increased temperature resistance and tensile strength
- Time saving torch change over due to the ABICOR BINZEL central connector

### Technical data (EN 60 974-7)

#### MIG/MAG Welding Torches “MB GRIP” (air cooled)

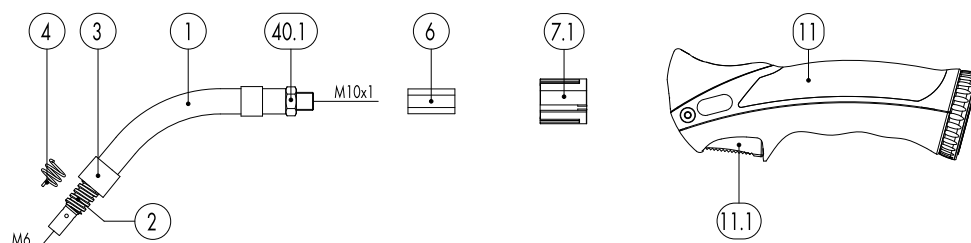
Type	Rating (A)		Duty cycle (%)	Wire size (mm)
	CO <sub>2</sub>	Mixed gases M21		
<b>MB GRIP 15 AK</b>	180	150	60	0.6-1.0
<b>MB GRIP 24 KD</b>	250	220	60	0.8-1.2
<b>MB GRIP 25 AK</b>	230	200	60	0.8-1.2
<b>MB GRIP 26 KD</b>	270	240	60	0.8-1.2
<b>MB GRIP 36 KD</b>	320	290	60	0.8-1.2

#### MIG/MAG Welding Torches “MB GRIP” (liquid cooled)

Type	Rating (A)		Duty cycle (%)	Wire size (mm)
	CO <sub>2</sub>	Mixed gases M21		
<b>MB GRIP 240 D</b>	300	270	100	0.8-1.2
<b>MB GRIP 401</b>	450	400	100	0.8-1.2
<b>MB GRIP 401 D</b>	400	350	100	0.8-1.2
<b>MB GRIP 501</b>	550	500	100	1.0-1.6
<b>MB GRIP 501 D</b>	500	450	100	1.0-1.6

Subject to change without notice.

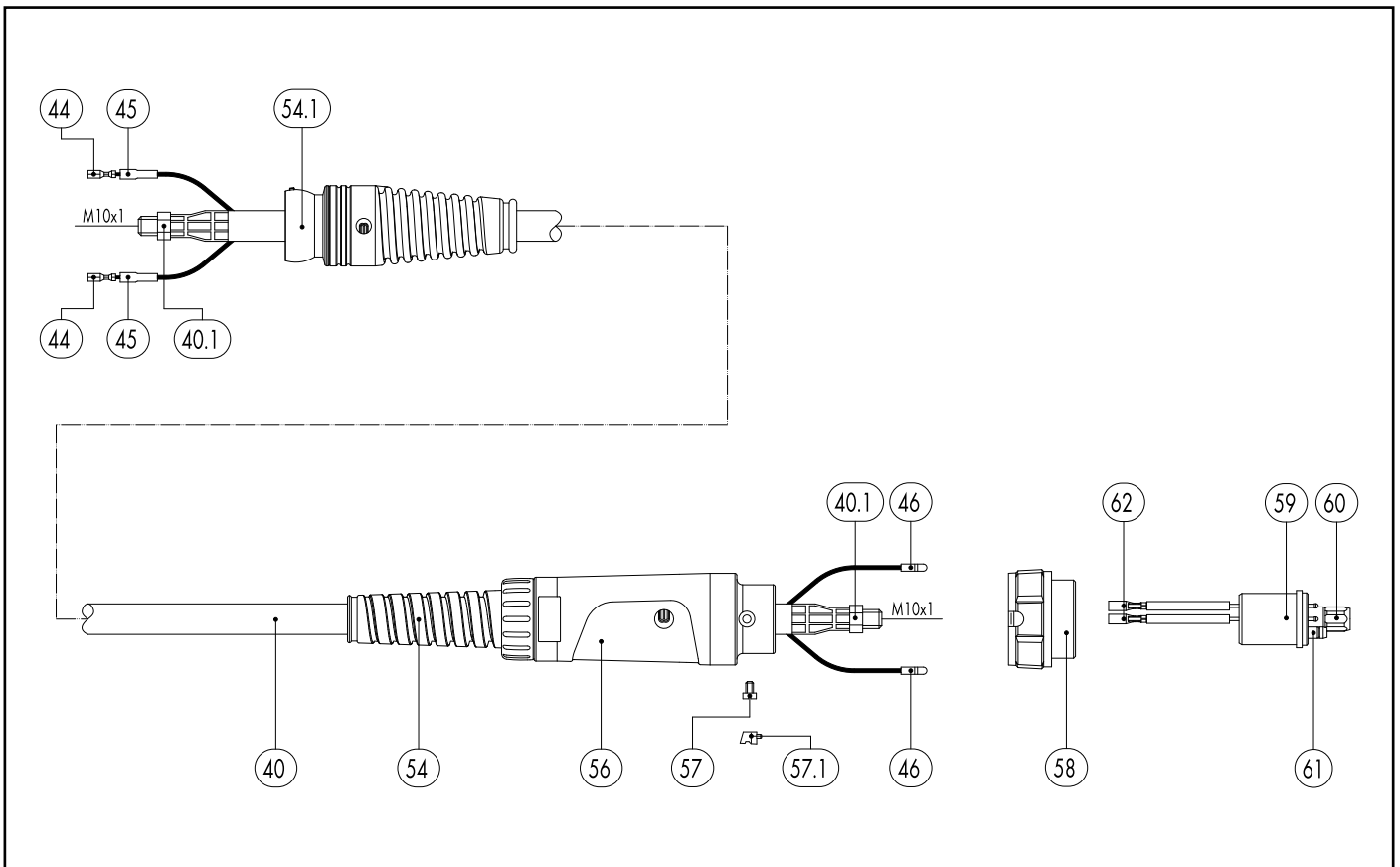
# MIG/MAG Welding Torches MB GRIP 15 AK



Pos.	Description	Units	Part-No.	Product-group
<b>Torch</b>				
	MB 15 AK GRIP; central adaptor KZ-2; 3.00 m		002.0604	1008
	MB 15 AK GRIP; central adaptor KZ-2; 4.00 m		002.0605	1008
	MB 15 AK GRIP; central adaptor KZ-2; 5.00 m		002.0606	1008
<b>Swan neck</b>				
1	Swan neck MB 15 AK; 50° bent		002.0009	1007
	Swan neck MB 15 AK; flexible		002.0029	1007
2	Gas nozzle holder		002.0078	1095
3	Head insulator	10 Pcs.	002.0050	1095
4	Nozzle spring	100 Pcs.	002.0058	1095
6	Torch body brass		400.0114	1095
7.1	Torch body plastic GRIP		400.0044	1095
<b>Handle GRIP</b>				
11	Handle GRIP with trigger cpl.		180.0127	1095
11.1	Trigger 2-pole GRIP		185.0101	9010
<b>Cable assembly</b>				
40	Bikox® R-power cable MB GRIP / ABIMIG®, R4 for 3.00 m		160.D520	1511
40	Bikox® R-power cable MB GRIP / ABIMIG®, R4 for 4.00 m		160.D521	1511
40	Bikox® R-power cable MB GRIP / ABIMIG®, R4 for 5.00 m		160.D522	1511
	Outer cover rubber Ø 20x1.5	40 m	105.0005	4050
40.1	Hexagon nut M10x1	10 Pcs.	001.0009	9010
44	Trigger wire connector	20 Pcs.	175.0022	9010
45	Insulating sleeve	20 Pcs.	400.0119	1095
46	Plug	20 Pcs.	175.0004	9010
54	Cable support ND 19		400.1010	1095
54.1	Ball joint cable protection MB GRIP (air cooled)		400.1395.1	1095

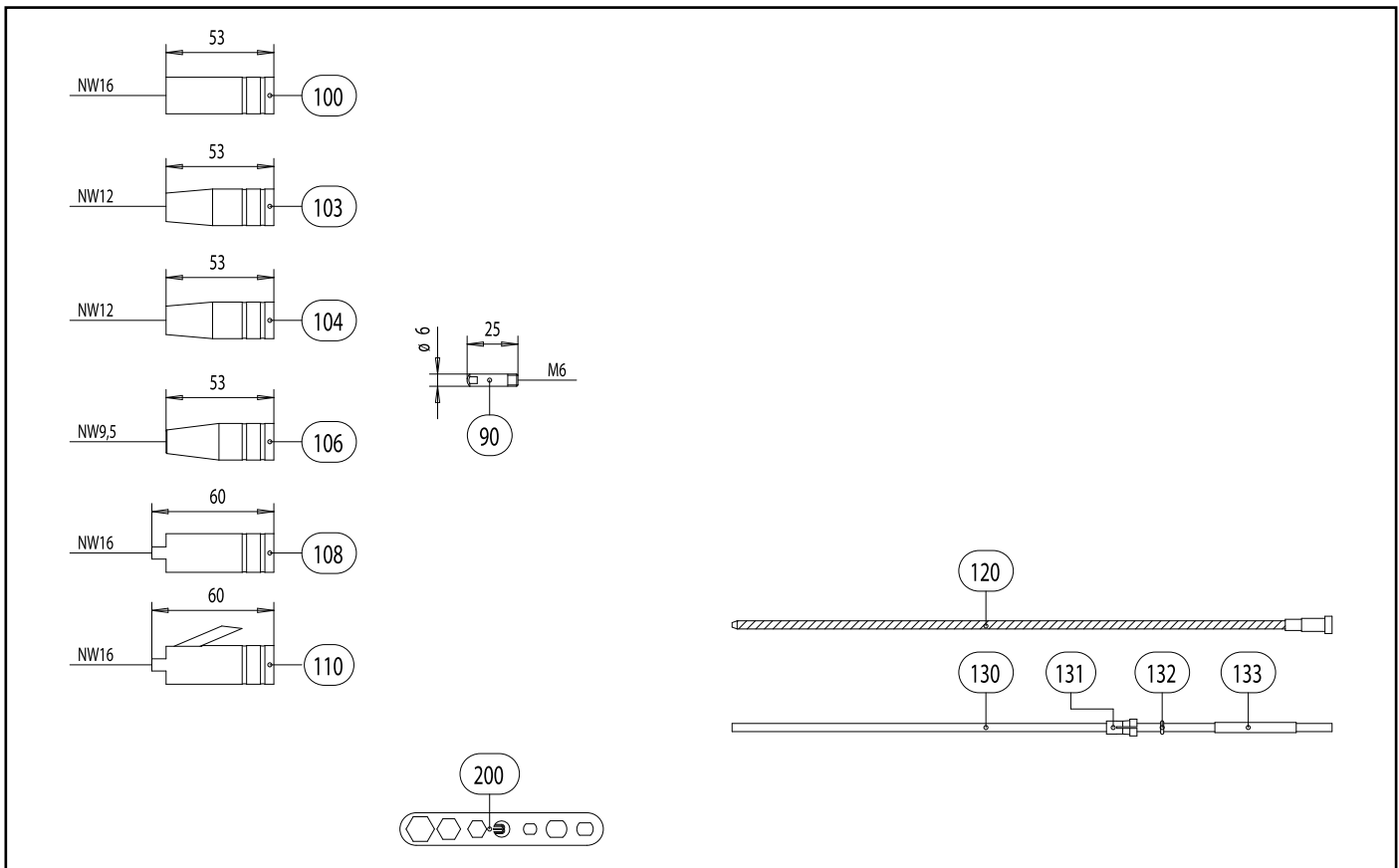


# MIG/MAG Welding Torches MB GRIP 15 AK



Pos.	Description	Units	Part-No.	Product-group
56	Cable support machine side		501.2248	9010
57	Pan head screw M4x6	20 Pcs.	000.0552	9010
57.1	Screw cap 1	20 Pcs.	500.0251	9010
58	Adaptor nut M33x2		500.0213	9010
59	Central adaptor KZ-2		501.0003	1095
60	Coupling nut M10x1	10 Pcs.	501.0082	9010
61	O-Ring 4x1	20 Pcs.	165.0002	9010
62	Trigger wire connector; female	20 Pcs.	175.0003	9010
<b>Wear parts</b>				
90	Contact tip M6 E-Cu; Ø 0.6 (6x25)	10 Pcs.	140.0008	1030
90	Contact tip M6 E-Cu; Ø 0.8 (6x25)	10 Pcs.	140.0059	1030
90	Contact tip M6 E-Cu; Ø 1.0 (6x25)	10 Pcs.	140.0253	1030
90	Contact tip M6 CuCrZr; Ø 0.6 (6x25)	10 Pcs.	140.0855	1031
90	Contact tip M6 CuCrZr; Ø 0.8 (6x25)	10 Pcs.	140.0062	1031
90	Contact tip M6 CuCrZr; Ø 1.0 (6x25)	10 Pcs.	140.0256	1031
90	Contact tip M6 E-Cu; Ø 0.8 for alu wire (6x25)	10 Pcs.	141.0002	1030
90	Contact tip M6 E-Cu; Ø 1.0 for alu wire (6x25)	10 Pcs.	141.0007	1030
90	Contact tip M6 CuCrZr silver-plated; Ø 0.8 (6x25)	10 Pcs.	147.0062	1031
90	Contact tip M6 CuCrZr silver-plated; Ø 1.0 (6x25)	10 Pcs.	147.0256	1031
100	Gas nozzle; cylindrical; ND Ø 16.0	10 Pcs.	145.0041	1036
103	Gas nozzle; conical; ND Ø 12.0	10 Pcs.	145.0075	1036
104	Gas nozzle; conical; with extended insulation; ND Ø 12.0	10 Pcs.	145.0107	1036
106	Gas nozzle; tapered; ND Ø 9.5	10 Pcs.	145.0123	1036
108	Spot weld gas nozzle; ND Ø 16.0	10 Pcs.	145.0168	1036
110	Spot weld gas nozzle for pin-welding; ND Ø 16.0	10 Pcs.	145.0186	1036
120	Guide spiral liner insulated; 1.5/4.5; blue; for wire Ø 0.6-0.8; for 3.00 m		124.0011	1034

# MIG/MAG Welding Torches MB GRIP 15 AK

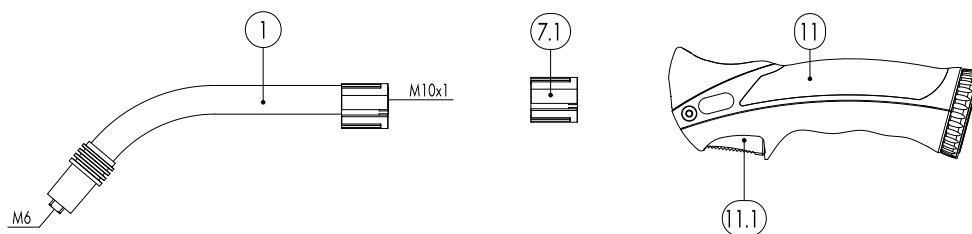


Pos.	Description	Units	Part-No.	Product-group
120	Guide spiral liner insulated; 1.5/4.5; blue; for wire Ø 0.6-0.8; for 4.00 m		124.0012	1034
120	Guide spiral liner insulated; 1.5/4.5; blue; for wire Ø 0.6-0.8; for 5.00 m		124.0015	1034
120	Guide spiral liner insulated; 2.0/4.5; red; for wire Ø 1.0-1.2; for 3.00 m		124.0026	1034
120	Guide spiral liner insulated; 2.0/4.5; red; for wire Ø 1.0-1.2; for 4.00 m		124.0031	1034
120	Guide spiral liner insulated; 2.0/4.5; red; for wire Ø 1.0-1.2; for 5.00 m		124.0035	1034
130	PTFE core liner 1.5/4.0; blue; wire electrode Ø 0.8-1.0; for 3.00 m		126.0005	1034
130	PTFE core liner 1.5/4.0; blue; wire electrode Ø 0.8-1.0; for 4.00 m		126.0008	1034
130	PTFE core liner 1.5/4.0; blue; wire electrode Ø 0.8-1.0; for 5.00 m		126.0011	1034
130	PTFE core liner 2.0/4.0; red; wire electrode Ø 1.0-1.2; for 3.00 m		126.0021	1034
130	PTFE core liner 2.0/4.0; red; wire electrode Ø 1.0-1.2; for 4.00 m		126.0026	1034
130	PTFE core liner 2.0/4.0; red; wire electrode Ø 1.0-1.2; for 5.00 m		126.0028	1034
130	PTFE carbon core liner 1.5/4.0; wire electrode Ø 0.8-1.0; for 3.00 m		127.0002	1034
130	PTFE carbon core liner 1.5/4.0; wire electrode Ø 0.8-1.0; for 4.00 m		127.0003	1034
130	PTFE carbon core liner 1.5/4.0; wire electrode Ø 0.8-1.0; for 5.00 m		127.0004	1034
130	PTFE carbon core liner 2.0/4.0; wire electrode Ø 1.0-1.2; for 3.00 m		127.0005	1034
130	PTFE carbon core liner 2.0/4.0; wire electrode Ø 1.0-1.2; for 4.00 m		127.0007	1034
130	PTFE carbon core liner 2.0/4.0; wire electrode Ø 1.0-1.2; for 5.00 m		127.0008	1034
131	Nipple for core liner at Ø 4.0	20 Pcs.	131.0001	1095
132	O-Ring 3.5x1.5	20 Pcs.	165.0008	9010
133	Guide tube for core liners up to Ø 4.0 (200 mm)	10 Pcs.	129.0461	1095
200	Spanner Standard		191.0001	9010

# Notes

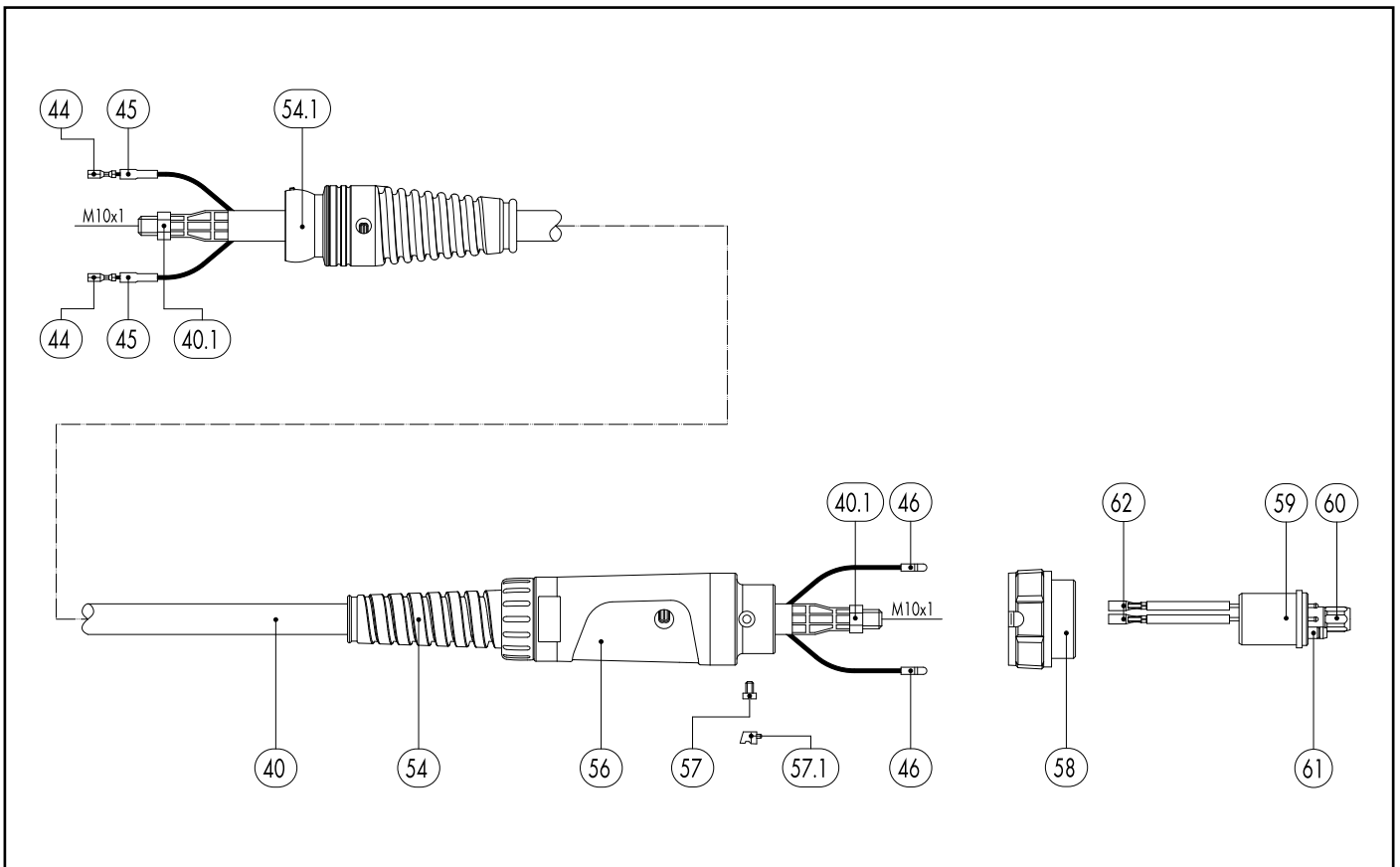


# MIG/MAG Welding Torches MB GRIP 24 KD



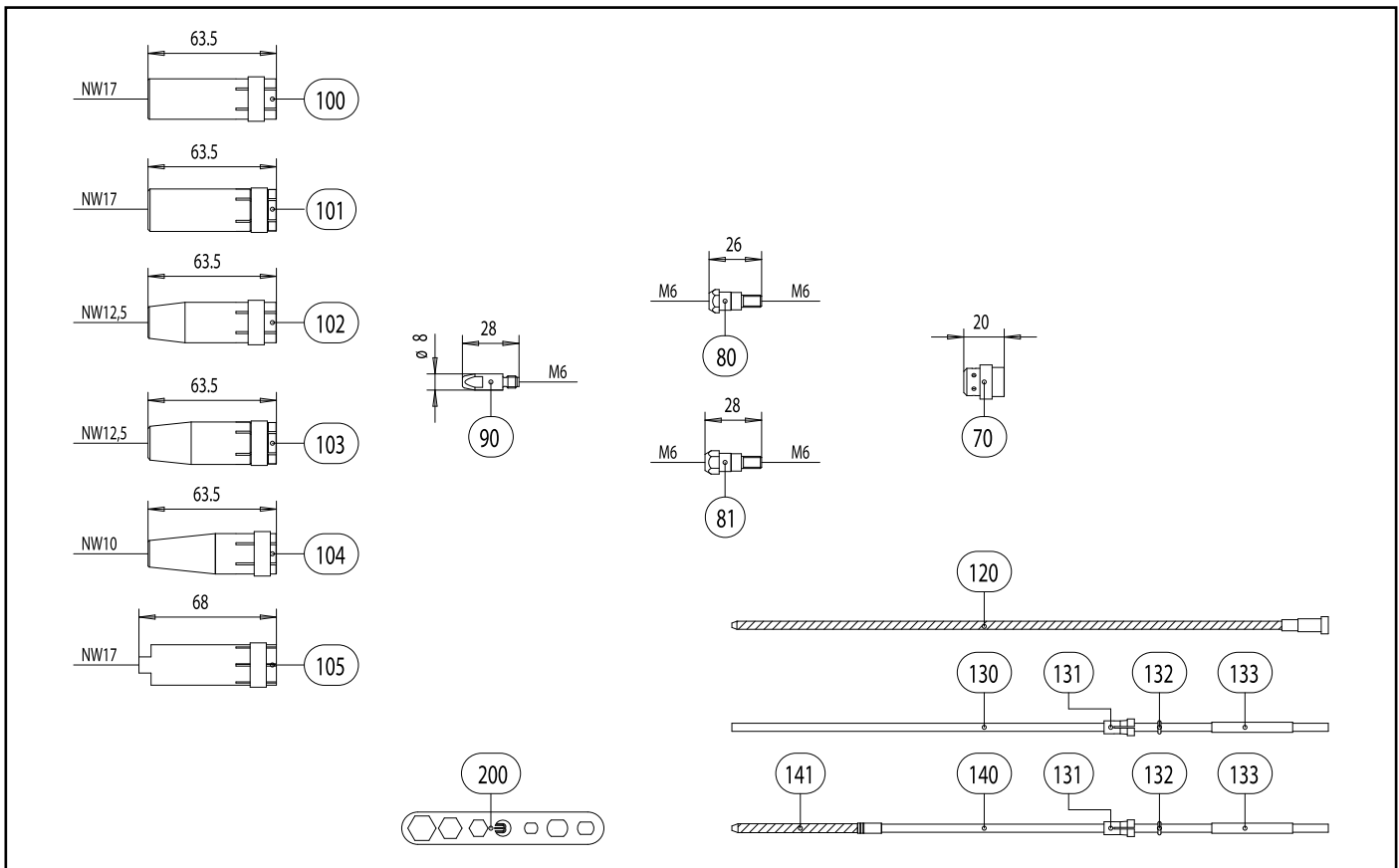
Pos.	Description	Units	Part-No.	Product-group
<b>Torch</b>				
	MB 24 KD GRIP; central adaptor KZ-2; 3.00 m		012.0251	1008
	MB 24 KD GRIP; central adaptor KZ-2; 4.00 m		012.0252	1008
	MB 24 KD GRIP; central adaptor KZ-2; 5.00 m		012.0253	1008
<b>Swan neck</b>				
1	Swan neck MB 24 KD; 50° bent		012.0001	1007
1.3	Swan neck AUT 24 KD; straight		912.0001	1050
7.1	Torch body plastic GRIP		400.0044	1095
<b>Handle GRIP</b>				
11	Handle GRIP with trigger cpl.		180.0127	1095
11.1	Trigger 2-pole GRIP		185.0101	9010
<b>Cable assembly</b>				
40	Bikox® R-power cable MB GRIP / ABIMIG®, R6 for 3.00 m		160.D430	1511
40	Bikox® R-power cable MB GRIP / ABIMIG®, R6 for 4.00 m		160.D431	1511
40	Bikox® R-power cable MB GRIP / ABIMIG®, R6 for 5.00 m		160.D432	1511
	Outer cover rubber Ø 20x1.5	40 m	105.0005	4050
40.1	Hexagon nut M10x1	10 Pcs.	001.0009	9010
44	Trigger wire connector	20 Pcs.	175.0022	9010
45	Insulating sleeve	20 Pcs.	400.0119	1095
46	Plug	20 Pcs.	175.0004	9010
54	Cable support ND 19		400.1010	1095
54.1	Ball joint cable protection MB GRIP (air cooled)		400.1395.1	1095
56	Cable support machine side		501.2248	9010
57	Pan head screw M4x6	20 Pcs.	000.0552	9010
57.1	Screw cap 1	20 Pcs.	500.0251	9010
58	Adaptor nut M33x2		500.0213	9010

# MIG/MAG Welding Torches MB GRIP 24 KD



Pos.	Description	Units	Part-No.	Product-group
59	Central adaptor KZ-2		501.0003	1095
60	Coupling nut M10x1	10 Pcs.	501.0082	9010
61	O-Ring 4x1	20 Pcs.	165.0002	9010
62	Trigger wire connector; female	20 Pcs.	175.0003	9010
<b>Wear parts</b>				
70	Gas diffuser, white	10 Pcs.	012.0183	1032
70	Gas diffuser, silicone rubber	10 Pcs.	012.0243	1032
80	Contact tip holder M6; 26.0 mm	10 Pcs.	142.0003	1033
81	Contact tip holder M6; 28.0 mm	10 Pcs.	142.0010	1033
90	Contact tip M6 E-Cu; Ø 0.8 (8x28)	10 Pcs.	140.0051	1030
90	Contact tip M6 E-Cu; Ø 1.0 (8x28)	10 Pcs.	140.0242	1030
90	Contact tip M6 E-Cu; Ø 1.2 (8x28)	10 Pcs.	140.0379	1030
90	Contact tip M6 CuCrZr; Ø 0.8 (8x28)	10 Pcs.	140.0054	1031
90	Contact tip M6 CuCrZr; Ø 1.0 (8x28)	10 Pcs.	140.0245	1031
90	Contact tip M6 CuCrZr; Ø 1.2 (8x28)	10 Pcs.	140.0382	1031
90	Contact tip M6 E-Cu; Ø 0.8 for alu wire (8x28)	10 Pcs.	141.0001	1030
90	Contact tip M6 E-Cu; Ø 1.0 for alu wire (8x28)	10 Pcs.	141.0006	1030
90	Contact tip M6 E-Cu; Ø 1.2 for alu wire (8x28)	10 Pcs.	141.0010	1030
90	Contact tip M6 CuCrZr silver-plated; Ø 0.8 (8x28)	10 Pcs.	147.0054	1031
90	Contact tip M6 CuCrZr silver-plated; Ø 1.0 (8x28)	10 Pcs.	147.0245	1031
90	Contact tip M6 CuCrZr silver-plated; Ø 1.2 (8x28)	10 Pcs.	147.0382	1031
100	Gas nozzle; cylindrical; ND Ø 17.0	10 Pcs.	145.0047	1036
101	Gas nozzle; cylindrical; heavy duty; ND Ø 17.0	10 Pcs.	145.0062	1036
102	Gas nozzle; conical; ND Ø 12.5	10 Pcs.	145.0080	1036
103	Gas nozzle; conical; heavy duty; ND Ø 12.5	10 Pcs.	145.0101	1036
104	Gas nozzle; tapered; ND Ø 10.0	10 Pcs.	145.0128	1036

# MIG/MAG Welding Torches MB GRIP 24 KD

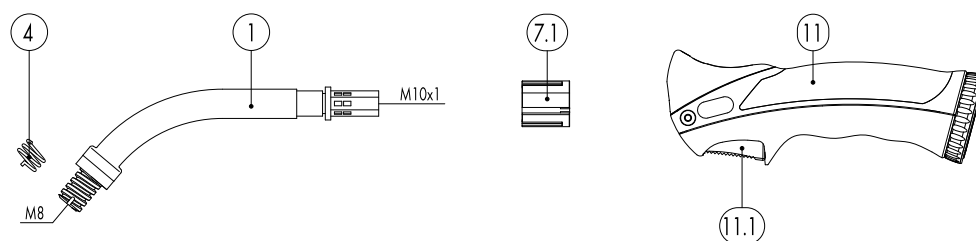


Pos.	Description	Units	Part-No.	Product-group
105	Spot weld gas nozzle; ND Ø 17.0	10 Pcs.	145.0174	1036
120	Guide spiral liner insulated; 1.5/4.5; blue; for wire Ø 0.6-0.8; for 3.00 m		124.0011	1034
120	Guide spiral liner insulated; 1.5/4.5; blue; for wire Ø 0.6-0.8; for 4.00 m		124.0012	1034
120	Guide spiral liner insulated; 1.5/4.5; blue; for wire Ø 0.6-0.8; for 5.00 m		124.0015	1034
120	Guide spiral liner insulated; 2.0/4.5; red; for wire Ø 1.0-1.2; for 3.00 m		124.0026	1034
120	Guide spiral liner insulated; 2.0/4.5; red; for wire Ø 1.0-1.2; for 4.00 m		124.0031	1034
120	Guide spiral liner insulated; 2.0/4.5; red; for wire Ø 1.0-1.2; for 5.00 m		124.0035	1034
130	PTFE core liner 1.5/4.0; blue; wire electrode Ø 0.8-1.0; for 3.00 m		126.0005	1034
130	PTFE core liner 1.5/4.0; blue; wire electrode Ø 0.8-1.0; for 4.00 m		126.0008	1034
130	PTFE core liner 1.5/4.0; blue; wire electrode Ø 0.8-1.0; for 5.00 m		126.0011	1034
130	PTFE core liner 2.0/4.0; red; wire electrode Ø 1.0-1.2; for 3.00 m		126.0021	1034
130	PTFE core liner 2.0/4.0; red; wire electrode Ø 1.0-1.2; for 4.00 m		126.0026	1034
130	PTFE core liner 2.0/4.0; red; wire electrode Ø 1.0-1.2; for 5.00 m		126.0028	1034
130	PTFE carbon core liner 1.5/4.0; wire electrode Ø 0.8-1.0; for 3.00 m		127.0002	1034
130	PTFE carbon core liner 1.5/4.0; wire electrode Ø 0.8-1.0; for 4.00 m		127.0003	1034
130	PTFE carbon core liner 1.5/4.0; wire electrode Ø 0.8-1.0; for 5.00 m		127.0004	1034
130	PTFE carbon core liner 2.0/4.0; wire electrode Ø 1.0-1.2; for 3.00 m		127.0005	1034
130	PTFE carbon core liner 2.0/4.0; wire electrode Ø 1.0-1.2; for 4.00 m		127.0007	1034
130	PTFE carbon core liner 2.0/4.0; wire electrode Ø 1.0-1.2; for 5.00 m		127.0008	1034
131	Nipple for core liner at Ø 4.0	20 Pcs.	131.0001	1095
132	O-Ring 3.5x1.5	20 Pcs.	165.0008	9010
133	Guide tube for core liners up to Ø 4.0 (200 mm)	10 Pcs.	129.0461	1095
140	Combined wire guide cpl. polyamide/brass; wire Ø 1.0-1.2; for 3.00 m		128.M002	1034
140	Combined wire guide cpl. polyamide/brass; wire Ø 1.0-1.2; for 4.00 m		128.M003	1034
140	Combined wire guide cpl. polyamide/brass; wire Ø 1.0-1.2; for 5.00 m		128.M004	1034
141	Brass spiral made up with sleeve (200 mm)	10 Pcs.	001.0305	1095

# MIG/MAG Welding Torches MB GRIP 24 KD

Pos.	Description	Units	Part-No.	Product-group
200	Spanner Standard		191.0001	9010

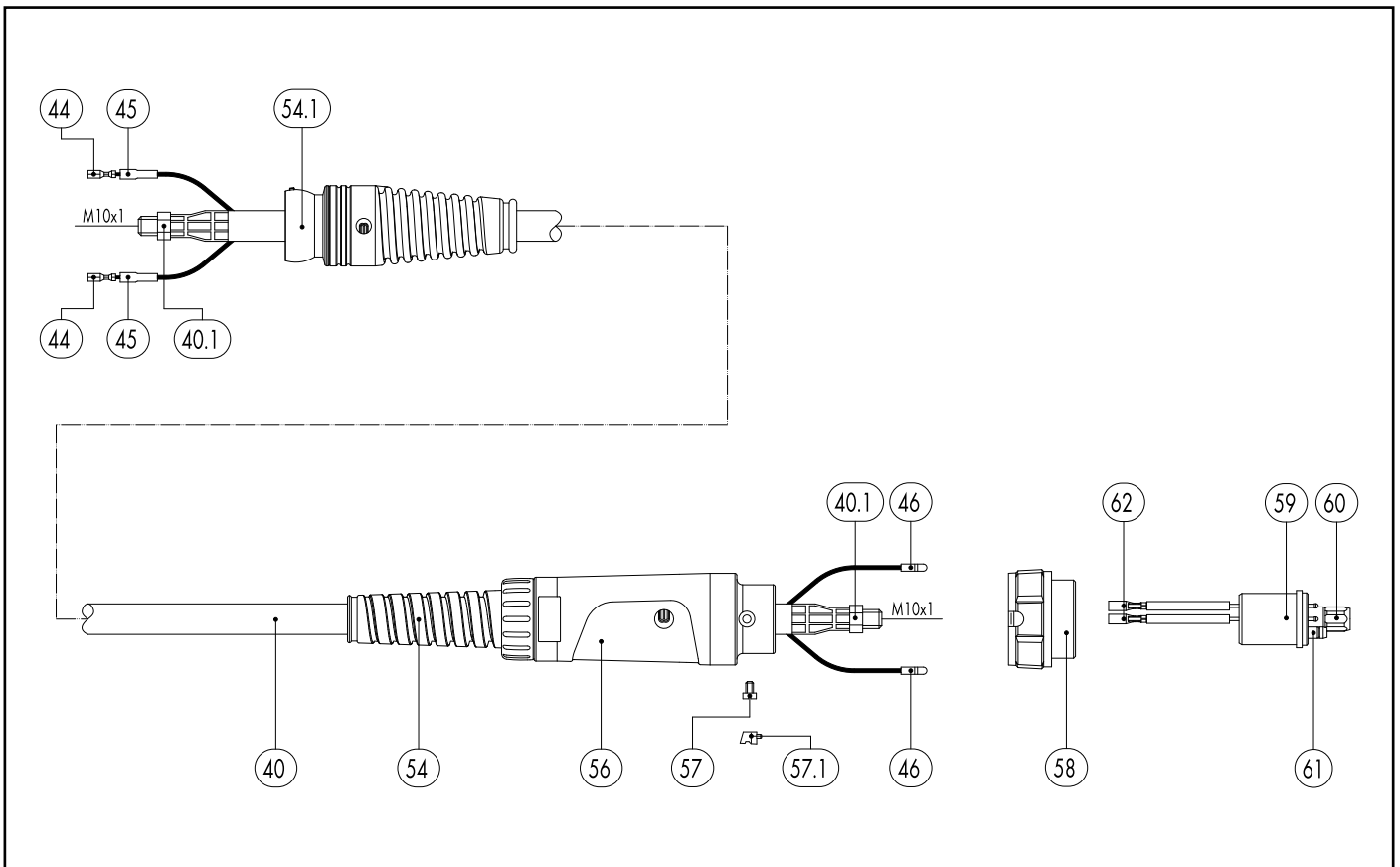
# MIG/MAG Welding Torches MB GRIP 25 AK



Pos.	Description	Units	Part-No.	Product-group
<b>Torch</b>				
	MB 25 AK GRIP; central adaptor KZ-2; 3.00 m		004.0510	1008
	MB 25 AK GRIP; central adaptor KZ-2; 4.00 m		004.0511	1008
	MB 25 AK GRIP; central adaptor KZ-2; 5.00 m		004.0512	1008
<b>Swan neck</b>				
1	Swan neck MB 25 AK; 50° bent		004.0012	1007
	Swan neck MB 25 AK; flexible		004.0032	1007
4	Nozzle spring	100 Pcs.	003.0013	1095
7.1	Torch body plastic GRIP		400.0044	1095
<b>Handle GRIP</b>				
11	Handle GRIP with trigger cpl.		180.0127	1095
11.1	Trigger 2-pole GRIP		185.0101	9010
<b>Cable assembly</b>				
40	Bikox® R-power cable MB GRIP / ABIMIG®, R5 for 3.00 m		160.D427	1511
40	Bikox® R-power cable MB GRIP / ABIMIG®, R5 for 4.00 m		160.D428	1511
40	Bikox® R-power cable MB GRIP / ABIMIG®, R5 for 5.00 m		160.D429	1511
	Outer cover rubber Ø 20x1.5	40 m	105.0005	4050
40.1	Hexagon nut M10x1	10 Pcs.	001.0009	9010
44	Trigger wire connector	20 Pcs.	175.0022	9010
45	Insulating sleeve	20 Pcs.	400.0119	1095
46	Plug	20 Pcs.	175.0004	9010
54	Cable support ND 19		400.1010	1095
54.1	Ball joint cable protection MB GRIP (air cooled)		400.1395.1	1095
56	Cable support machine side		501.2248	9010
57	Pan head screw M4x6	20 Pcs.	000.0552	9010
57.1	Screw cap 1	20 Pcs.	500.0251	9010

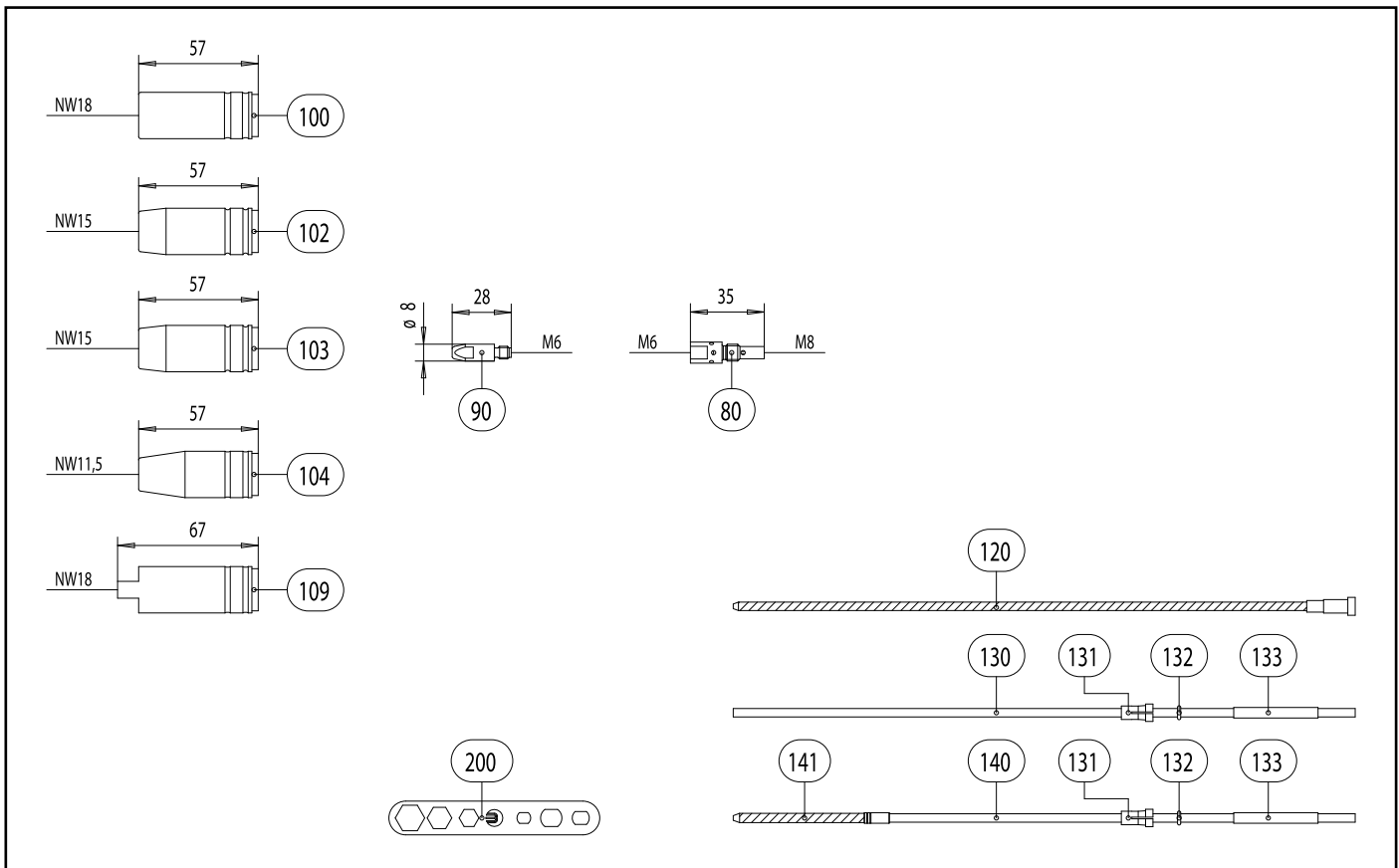


# MIG/MAG Welding Torches MB GRIP 25 AK



Pos.	Description	Units	Part-No.	Product-group
58	Adaptor nut M33x2		500.0213	9010
59	Central adaptor KZ-2		501.0003	1095
60	Coupling nut M10x1	10 Pcs.	501.0082	9010
61	O-Ring 4x1	20 Pcs.	165.0002	9010
62	Trigger wire connector; female	20 Pcs.	175.0003	9010
<b>Wear parts</b>				
80	Contact tip holder M6; 35.0 mm	10 Pcs.	142.0001	1033
90	Contact tip M6 E-Cu; Ø 0.8 (8x28)	10 Pcs.	140.0051	1030
90	Contact tip M6 E-Cu; Ø 1.0 (8x28)	10 Pcs.	140.0242	1030
90	Contact tip M6 E-Cu; Ø 1.2 (8x28)	10 Pcs.	140.0379	1030
90	Contact tip M6 CuCrZr; Ø 0.8 (8x28)	10 Pcs.	140.0054	1031
90	Contact tip M6 CuCrZr; Ø 1.0 (8x28)	10 Pcs.	140.0245	1031
90	Contact tip M6 CuCrZr; Ø 1.2 (8x28)	10 Pcs.	140.0382	1031
90	Contact tip M6 E-Cu; Ø 0.8 for alu wire (8x28)	10 Pcs.	141.0001	1030
90	Contact tip M6 E-Cu; Ø 1.0 for alu wire (8x28)	10 Pcs.	141.0006	1030
90	Contact tip M6 E-Cu; Ø 1.2 for alu wire (8x28)	10 Pcs.	141.0010	1030
90	Contact tip M6 CuCrZr silver-plated; Ø 0.8 (8x28)	10 Pcs.	147.0054	1031
90	Contact tip M6 CuCrZr silver-plated; Ø 1.0 (8x28)	10 Pcs.	147.0245	1031
90	Contact tip M6 CuCrZr silver-plated; Ø 1.2 (8x28)	10 Pcs.	147.0382	1031
100	Gas nozzle; cylindrical; ND Ø 18.0	10 Pcs.	145.0042	1036
102	Gas nozzle; conical; ND Ø 15.0	10 Pcs.	145.0076	1036
103	Gas nozzle; conical; with extended insulation; ND Ø 15.0	10 Pcs.	145.0100	1036
104	Gas nozzle; tapered; ND Ø 11.5	10 Pcs.	145.0124	1036
109	Spot weld gas nozzle; ND Ø 18.0	10 Pcs.	145.0169	1036
120	Guide spiral liner insulated; 1.5/4.5; blue; for wire Ø 0.6–0.8; for 3.00 m		124.0011	1034
120	Guide spiral liner insulated; 1.5/4.5; blue; for wire Ø 0.6–0.8; for 4.00 m		124.0012	1034

# MIG/MAG Welding Torches MB GRIP 25 AK

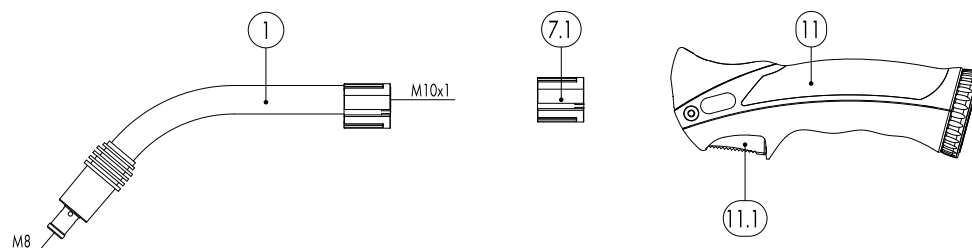


Pos.	Description	Units	Part-No.	Product-group
120	Guide spiral liner insulated; 1.5/4.5; blue; for wire Ø 0.6-0.8; for 5.00 m		124.0015	1034
120	Guide spiral liner insulated; 2.0/4.5; red; for wire Ø 1.0-1.2; for 3.00 m		124.0026	1034
120	Guide spiral liner insulated; 2.0/4.5; red; for wire Ø 1.0-1.2; for 4.00 m		124.0031	1034
120	Guide spiral liner insulated; 2.0/4.5; red; for wire Ø 1.0-1.2; for 5.00 m		124.0035	1034
130	PTFE core liner 1.5/4.0; blue; wire electrode Ø 0.8-1.0; for 3.00 m		126.0005	1034
130	PTFE core liner 1.5/4.0; blue; wire electrode Ø 0.8-1.0; for 4.00 m		126.0008	1034
130	PTFE core liner 1.5/4.0; blue; wire electrode Ø 0.8-1.0; for 5.00 m		126.0011	1034
130	PTFE core liner 2.0/4.0; red; wire electrode Ø 1.0-1.2; for 3.00 m		126.0021	1034
130	PTFE core liner 2.0/4.0; red; wire electrode Ø 1.0-1.2; for 4.00 m		126.0026	1034
130	PTFE core liner 2.0/4.0; red; wire electrode Ø 1.0-1.2; for 5.00 m		126.0028	1034
130	PTFE carbon core liner 1.5/4.0; wire electrode Ø 0.8-1.0; for 3.00 m		127.0002	1034
130	PTFE carbon core liner 1.5/4.0; wire electrode Ø 0.8-1.0; for 4.00 m		127.0003	1034
130	PTFE carbon core liner 1.5/4.0; wire electrode Ø 0.8-1.0; for 5.00 m		127.0004	1034
130	PTFE carbon core liner 2.0/4.0; wire electrode Ø 1.0-1.2; for 3.00 m		127.0005	1034
130	PTFE carbon core liner 2.0/4.0; wire electrode Ø 1.0-1.2; for 4.00 m		127.0007	1034
130	PTFE carbon core liner 2.0/4.0; wire electrode Ø 1.0-1.2; for 5.00 m		127.0008	1034
131	Nipple for core liner at Ø 4.0	20 Pcs.	131.0001	1095
132	O-Ring 3.5x1.5	20 Pcs.	165.0008	9010
133	Guide tube for core liners up to Ø 4.0 (200 mm)	10 Pcs.	129.0461	1095
140	Combined wire guide cpl. polyamide/brass; wire Ø 1.0-1.2; for 3.00 m		128.M002	1034
140	Combined wire guide cpl. polyamide/brass; wire Ø 1.0-1.2; for 4.00 m		128.M003	1034
140	Combined wire guide cpl. polyamide/brass; wire Ø 1.0-1.2; for 5.00 m		128.M004	1034
141	Brass spiral made up with sleeve (200 mm)	10 Pcs.	001.0305	1095
200	Spanner Standard		191.0001	9010

# Notes

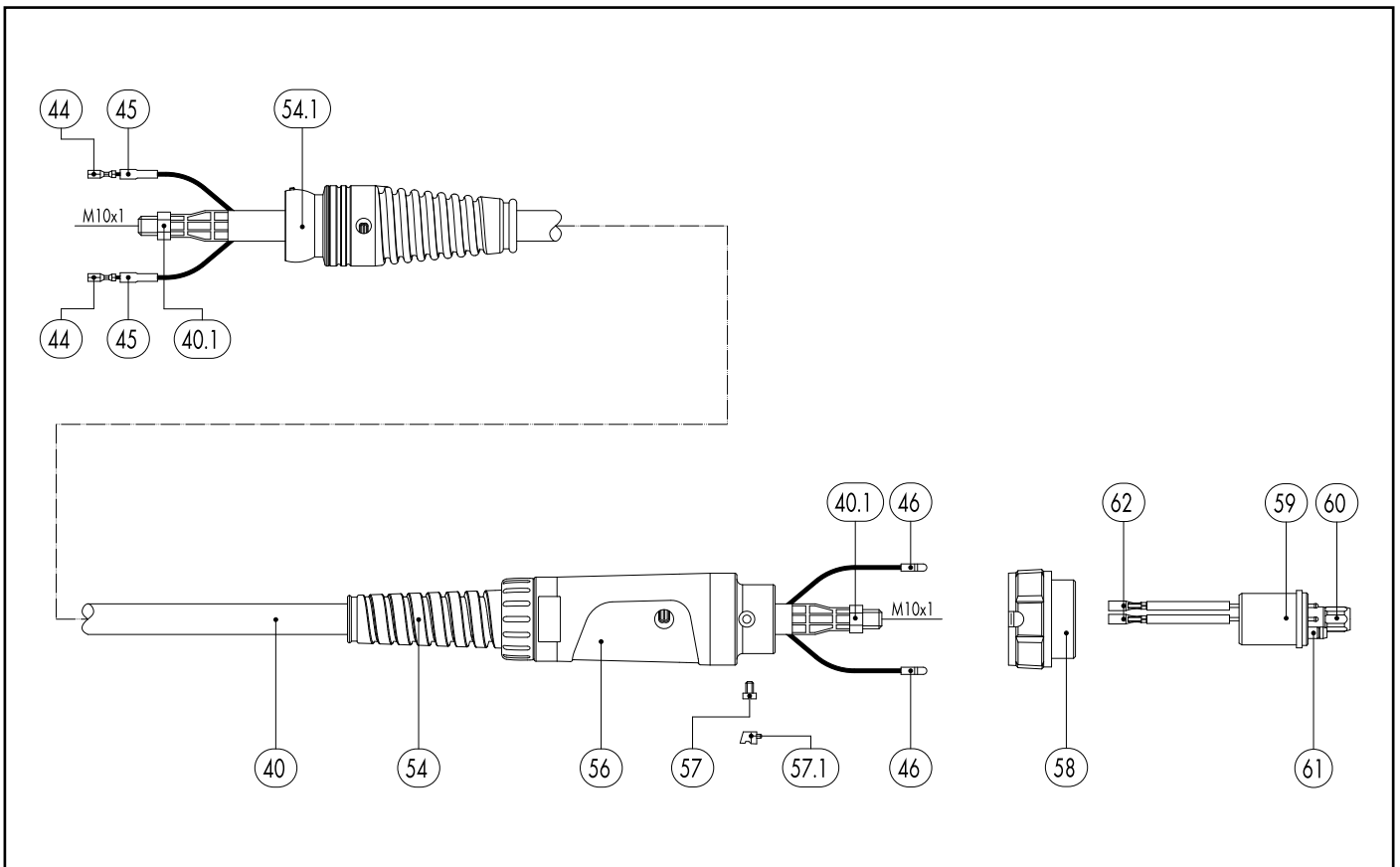


# MIG/MAG Welding Torches MB GRIP 26 KD



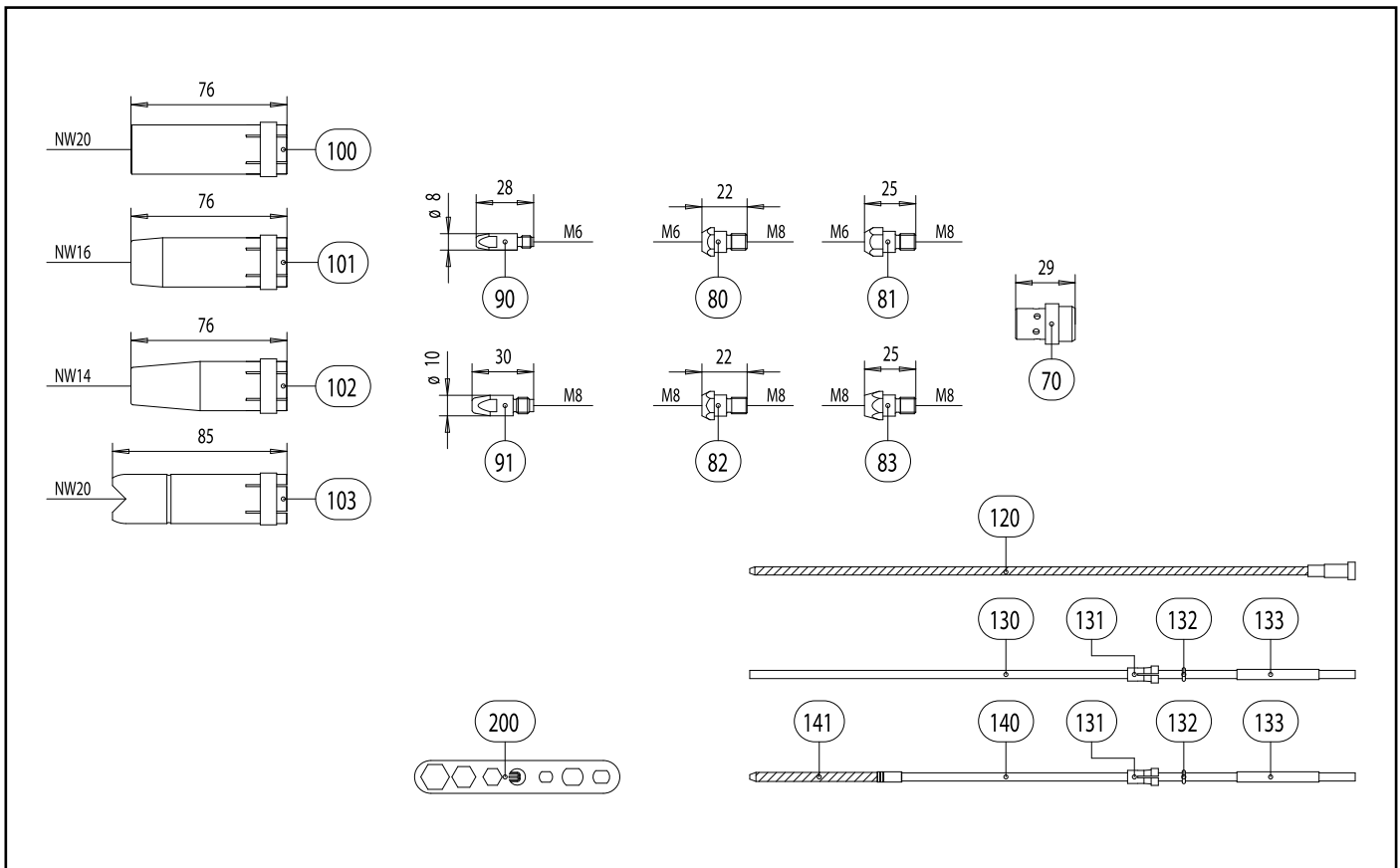
Pos.	Description	Units	Part-No.	Product-group
<b>Torch</b>				
	MB 26 KD GRIP; central adaptor KZ-2; 3.00 m		018.0146	1016
	MB 26 KD GRIP; central adaptor KZ-2; 4.00 m		018.0147	1016
	MB 26 KD GRIP; central adaptor KZ-2; 5.00 m		018.0148	1016
<b>Swan neck</b>				
1	Swan neck MB 26 KD; 50° bent		018.0001	1014
7.1	Torch body plastic GRIP		400.0044	1095
<b>Handle GRIP</b>				
11	Handle GRIP with trigger cpl.		180.0127	1095
11.1	Trigger 2-pole GRIP		185.0101	9010
<b>Cable assembly</b>				
40	Bikox® R-power cable MB GRIP / ABIMIG®, R6 for 3.00 m		160.D430	1511
40	Bikox® R-power cable MB GRIP / ABIMIG®, R6 for 4.00 m		160.D431	1511
40	Bikox® R-power cable MB GRIP / ABIMIG®, R6 for 5.00 m		160.D432	1511
	Outer cover rubber Ø 20x1.5	40 m	105.0005	4050
40.1	Hexagon nut M10x1	10 Pcs.	001.0009	9010
44	Trigger wire connector	20 Pcs.	175.0022	9010
45	Insulating sleeve	20 Pcs.	400.0119	1095
46	Plug	20 Pcs.	175.0004	9010
54	Cable support ND 19		400.1010	1095
54.1	Ball joint cable protection MB GRIP (air cooled)		400.1395.1	1095
56	Cable support machine side		501.2248	9010
57	Pan head screw M4x6	20 Pcs.	000.0552	9010
57.1	Screw cap 1	20 Pcs.	500.0251	9010
58	Adaptor nut M33x2		500.0213	9010
59	Central adaptor KZ-2		501.0003	1095

# MIG/MAG Welding Torches MB GRIP 26 KD



Pos.	Description	Units	Part-No.	Product-group
59	Central adaptor KZ-2 without control leads		501.0028	1095
61	O-Ring 4x1	20 Pcs.	165.0002	9010
62	Trigger wire connector; female	20 Pcs.	175.0003	9010
<b>Wear parts</b>				
70	Gas diffuser, white	10 Pcs.	018.0116	1032
70	Gas diffuser, ceramic	10 Pcs.	018.0141	1032
80	Contact tip holder M6; 22.0 mm (short)	10 Pcs.	142.0007	1033
81	Contact tip holder M6; 25.0 mm (long)	10 Pcs.	142.0012	1033
82	Contact tip holder M8; 22.0 mm (short)	10 Pcs.	142.0082	1033
83	Contact tip holder M8; 25.0 mm (long)	10 Pcs.	142.0026	1033
90	Contact tip M6 E-Cu; Ø 0.8 (8x28)	10 Pcs.	140.0051	1030
90	Contact tip M6 E-Cu; Ø 1.0 (8x28)	10 Pcs.	140.0242	1030
90	Contact tip M6 E-Cu; Ø 1.2 (8x28)	10 Pcs.	140.0379	1030
90	Contact tip M6 CuCrZr; Ø 0.8 (8x28)	10 Pcs.	140.0054	1031
90	Contact tip M6 CuCrZr; Ø 1.0 (8x28)	10 Pcs.	140.0245	1031
90	Contact tip M6 CuCrZr; Ø 1.2 (8x28)	10 Pcs.	140.0382	1031
90	Contact tip M6 E-Cu; Ø 0.8 for alu wire (8x28)	10 Pcs.	141.0001	1030
90	Contact tip M6 E-Cu; Ø 1.0 for alu wire (8x28)	10 Pcs.	141.0006	1030
90	Contact tip M6 E-Cu; Ø 1.2 for alu wire (8x28)	10 Pcs.	141.0010	1030
90	Contact tip M6 CuCrZr silver-plated; Ø 0.8 (8x28)	10 Pcs.	147.0054	1031
90	Contact tip M6 CuCrZr silver-plated; Ø 1.0 (8x28)	10 Pcs.	147.0245	1031
90	Contact tip M6 CuCrZr silver-plated; Ø 1.2 (8x28)	10 Pcs.	147.0382	1031
91	Contact tip M8 E-Cu; Ø 0.8 (10x30)	10 Pcs.	140.0114	1030
91	Contact tip M8 E-Cu; Ø 1.0 (10x30)	10 Pcs.	140.0313	1030
91	Contact tip M8 E-Cu; Ø 1.2 (10x30)	10 Pcs.	140.0442	1030
91	Contact tip M8 CuCrZr; Ø 0.8 (10x30)	10 Pcs.	140.0117	1031

# MIG/MAG Welding Torches MB GRIP 26 KD



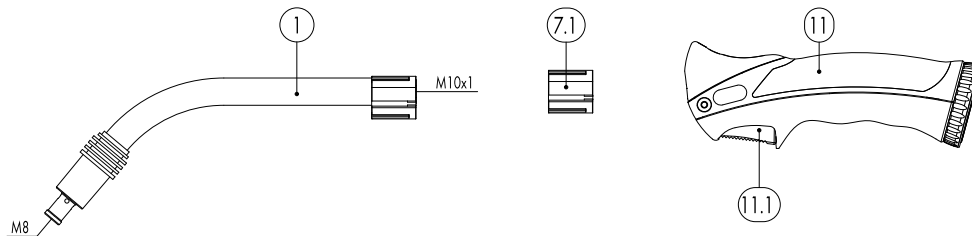
## Pos. Description

Pos.	Description	Units	Part-No.	Product-group
91	Contact tip M8 CuCrZr; Ø 1.0 (10x30)	10 Pcs.	140.0316	1031
91	Contact tip M8 CuCrZr; Ø 1.2 (10x30)	10 Pcs.	140.0445	1031
91	Contact tip M8 E-Cu; Ø 0.8 for alu wire (10x30)	10 Pcs.	141.0003	1030
91	Contact tip M8 E-Cu; Ø 1.0 for alu wire (10x30)	10 Pcs.	141.0008	1030
91	Contact tip M8 E-Cu; Ø 1.2 for alu wire (10x30)	10 Pcs.	141.0015	1030
91	Contact tip M8 CuCrZr silver-plated; Ø 0.8 (10x30)	10 Pcs.	147.0117	1031
91	Contact tip M8 CuCrZr silver-plated; Ø 1.0 (10x30)	10 Pcs.	147.0316	1031
91	Contact tip M8 CuCrZr silver-plated; Ø 1.2 (10x30)	10 Pcs.	147.0445	1031
100	Gas nozzle; cylindrical; ND Ø 20.0	10 Pcs.	145.0051	1037
101	Gas nozzle; conical; ND Ø 16.0	10 Pcs.	145.0085	1037
102	Gas nozzle; tapered; ND Ø 14.0	10 Pcs.	145.0132	1037
103	Spot weld gas nozzle; ND Ø 20.0	10 Pcs.	145.0179	1037
120	Guide spiral liner insulated; 1.5/4.5; blue; for wire Ø 0.6-0.8; for 3.00 m		124.0011	1034
120	Guide spiral liner insulated; 1.5/4.5; blue; for wire Ø 0.6-0.8; for 4.00 m		124.0012	1034
120	Guide spiral liner insulated; 1.5/4.5; blue; for wire Ø 0.6-0.8; for 5.00 m		124.0015	1034
120	Guide spiral liner insulated; 2.0/4.5; red; for wire Ø 1.0-1.2; for 3.00 m		124.0026	1034
120	Guide spiral liner insulated; 2.0/4.5; red; for wire Ø 1.0-1.2; for 4.00 m		124.0031	1034
120	Guide spiral liner insulated; 2.0/4.5; red; for wire Ø 1.0-1.2; for 5.00 m		124.0035	1034
130	PTFE core liner 1.5/4.0; blue; wire electrode Ø 0.8-1.0; for 3.00 m		126.0005	1034
130	PTFE core liner 1.5/4.0; blue; wire electrode Ø 0.8-1.0; for 4.00 m		126.0008	1034
130	PTFE core liner 1.5/4.0; blue; wire electrode Ø 0.8-1.0; for 5.00 m		126.0011	1034
130	PTFE core liner 2.0/4.0; red; wire electrode Ø 1.0-1.2; for 3.00 m		126.0021	1034
130	PTFE core liner 2.0/4.0; red; wire electrode Ø 1.0-1.2; for 4.00 m		126.0026	1034
130	PTFE core liner 2.0/4.0; red; wire electrode Ø 1.0-1.2; for 5.00 m		126.0028	1034
130	PTFE carbon core liner 1.5/4.0; wire electrode Ø 0.8-1.0; for 3.00 m		127.0002	1034
130	PTFE carbon core liner 1.5/4.0; wire electrode Ø 0.8-1.0; for 4.00 m		127.0003	1034

# MIG/MAG Welding Torches MB GRIP 26 KD

Pos.	Description	Units	Part-No.	Product-group
130	PTFE carbon core liner 1.5/4.0; wire electrode Ø 0.8-1.0; for 5.00 m		127.0004	1034
130	PTFE carbon core liner 2.0/4.0; wire electrode Ø 1.0-1.2; for 3.00 m		127.0005	1034
130	PTFE carbon core liner 2.0/4.0; wire electrode Ø 1.0-1.2; for 4.00 m		127.0007	1034
130	PTFE carbon core liner 2.0/4.0; wire electrode Ø 1.0-1.2; for 5.00 m		127.0008	1034
131	Nipple for core liner at Ø 4.0	20 Pcs.	131.0001	1095
132	O-Ring 3.5x1.5	20 Pcs.	165.0008	9010
133	Guide tube for core liners up to Ø 4.0 (200 mm)	10 Pcs.	129.0461	1095
140	Combined wire guide cpl. polyamide/brass; wire Ø 1.0-1.2; for 3.00 m		128.M002	1034
140	Combined wire guide cpl. polyamide/brass; wire Ø 1.0-1.2; for 4.00 m		128.M003	1034
140	Combined wire guide cpl. polyamide/brass; wire Ø 1.0-1.2; for 5.00 m		128.M004	1034
141	Brass spiral made up with sleeve (200 mm)	10 Pcs.	001.0305	1095
200	Spanner Standard		191.0001	9010

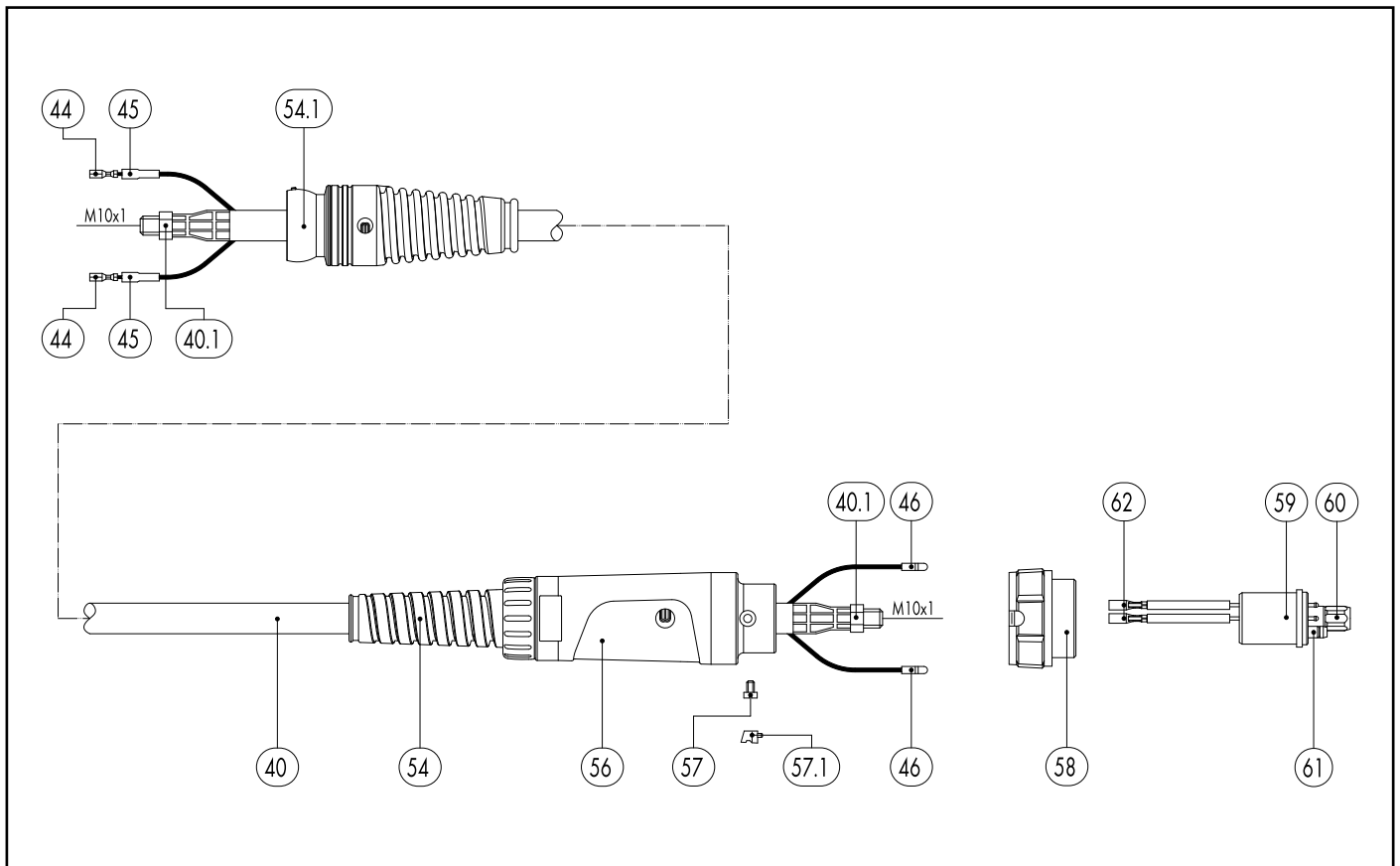
# MIG/MAG Welding Torches MB GRIP 36 KD



Pos.	Description	Units	Part-No.	Product-group
<b>Torch</b>				
	MB 36 KD GRIP; central adaptor KZ-2; 3.00 m		014.0334	1016
	MB 36 KD GRIP; central adaptor KZ-2; 4.00 m		014.0335	1016
	MB 36 KD GRIP; central adaptor KZ-2; 5.00 m		014.0336	1016
<b>Swan neck</b>				
1	Swan neck MB 36 KD; 50° bent		014.0006	1014
7.1	Torch body plastic GRIP		400.0044	1095
<b>Handle GRIP</b>				
11	Handle GRIP with trigger cpl.		180.0127	1095
11.1	Trigger 2-pole GRIP		185.0101	9010
<b>Cable assembly</b>				
40	Bikox® R-power cable MB GRIP / ABIMIG®, R7 for 3.00 m		160.D434	1511
40	Bikox® R-power cable MB GRIP / ABIMIG®, R7 for 4.00 m		160.D435	1511
40	Bikox® R-power cable MB GRIP / ABIMIG®, R7 for 5.00 m		160.D436	1511
40.1	Hexagon nut M10x1	10 Pcs.	001.0009	9010
44	Trigger wire connector	20 Pcs.	175.0022	9010
45	Insulating sleeve	20 Pcs.	400.0119	1095
46	Plug	20 Pcs.	175.0004	9010
54	Cable support ND 19		400.1010	1095
54.1	Ball joint cable protection MB GRIP (air cooled)		400.1395.1	1095
56	Cable support machine side		501.2248	9010
57	Pan head screw M4x6	20 Pcs.	000.0552	9010
57.1	Screw cap 1	20 Pcs.	500.0251	9010
58	Adaptor nut M33x2		500.0213	9010
59	Central adaptor KZ-2		501.0003	1095
60	Coupling nut M10x1	10 Pcs.	501.0082	9010

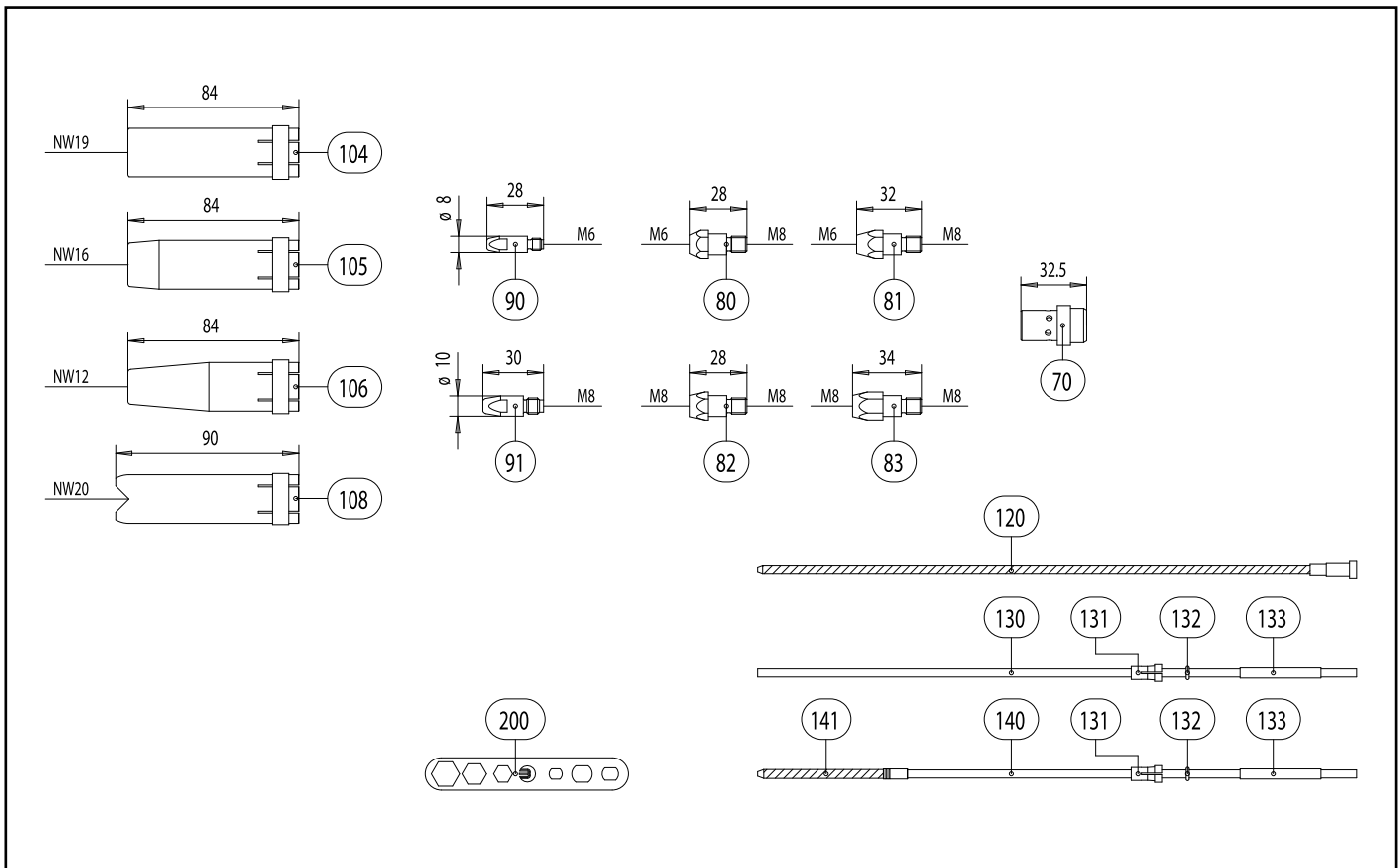


# MIG/MAG Welding Torches MB GRIP 36 KD



Pos.	Description	Units	Part-No.	Product-group
61	O-Ring 4x1	20 Pcs.	165.0002	9010
62	Trigger wire connector; female	20 Pcs.	175.0003	9010
<b>Wear parts</b>				
70	Gas diffuser, white	10 Pcs.	014.0261	1032
70	Gas diffuser, long life	10 Pcs.	014.0026	1032
70	Gas diffuser, ceramic	10 Pcs.	014.0023	1032
80	Contact tip holder M6; 28.0 mm (short)	10 Pcs.	142.0005	1033
81	Contact tip holder M6; 32.0 mm (long)	10 Pcs.	142.0011	1033
82	Contact tip holder M8; 28.0 mm (short)	10 Pcs.	142.0020	1033
83	Contact tip holder M8; 34.0 mm (long)	10 Pcs.	142.0024	1033
90	Contact tip M6 E-Cu; Ø 0.8 (8x28)	10 Pcs.	140.0051	1030
90	Contact tip M6 E-Cu; Ø 1.0 (8x28)	10 Pcs.	140.0242	1030
90	Contact tip M6 E-Cu; Ø 1.2 (8x28)	10 Pcs.	140.0379	1030
90	Contact tip M6 CuCrZr; Ø 0.8 (8x28)	10 Pcs.	140.0054	1031
90	Contact tip M6 CuCrZr; Ø 1.0 (8x28)	10 Pcs.	140.0245	1031
90	Contact tip M6 CuCrZr; Ø 1.2 (8x28)	10 Pcs.	140.0382	1031
90	Contact tip M6 E-Cu; Ø 0.8 for alu wire (8x28)	10 Pcs.	141.0001	1030
90	Contact tip M6 E-Cu; Ø 1.0 for alu wire (8x28)	10 Pcs.	141.0006	1030
90	Contact tip M6 E-Cu; Ø 1.2 for alu wire (8x28)	10 Pcs.	141.0010	1030
90	Contact tip M6 CuCrZr silver-plated; Ø 0.8 (8x28)	10 Pcs.	147.0054	1031
90	Contact tip M6 CuCrZr silver-plated; Ø 1.0 (8x28)	10 Pcs.	147.0245	1031
90	Contact tip M6 CuCrZr silver-plated; Ø 1.2 (8x28)	10 Pcs.	147.0382	1031
91	Contact tip M8 E-Cu; Ø 0.8 (10x30)	10 Pcs.	140.0114	1030
91	Contact tip M8 E-Cu; Ø 1.0 (10x30)	10 Pcs.	140.0313	1030
91	Contact tip M8 E-Cu; Ø 1.2 (10x30)	10 Pcs.	140.0442	1030
91	Contact tip M8 CuCrZr; Ø 0.8 (10x30)	10 Pcs.	140.0117	1031

# MIG/MAG Welding Torches MB GRIP 36 KD



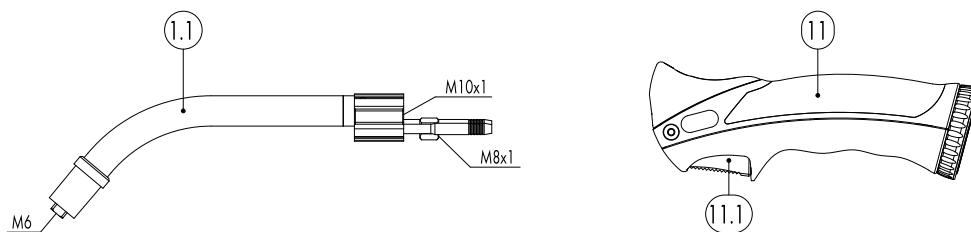
## Pos. Description

Pos.	Description	Units	Part-No.	Product-group
91	Contact tip M8 CuCrZr; Ø 1.0 (10x30)	10 Pcs.	140.0316	1031
91	Contact tip M8 CuCrZr; Ø 1.2 (10x30)	10 Pcs.	140.0445	1031
91	Contact tip M8 E-Cu; Ø 0.8 for alu wire (10x30)	10 Pcs.	141.0003	1030
91	Contact tip M8 E-Cu; Ø 1.0 for alu wire (10x30)	10 Pcs.	141.0008	1030
91	Contact tip M8 E-Cu; Ø 1.2 for alu wire (10x30)	10 Pcs.	141.0015	1030
91	Contact tip M8 CuCrZr silver-plated; Ø 0.8 (10x30)	10 Pcs.	147.0117	1031
91	Contact tip M8 CuCrZr silver-plated; Ø 1.0 (10x30)	10 Pcs.	147.0316	1031
91	Contact tip M8 CuCrZr silver-plated; Ø 1.2 (10x30)	10 Pcs.	147.0445	1031
104	Gas nozzle; cylindrical; ND Ø 19.0	10 Pcs.	145.0045	1037
105	Gas nozzle; conical; ND Ø 16.0	10 Pcs.	145.0078	1037
106	Gas nozzle; tapered; ND Ø 12.0	10 Pcs.	145.0126	1037
108	Spot weld gas nozzle; ND Ø 20.0	10 Pcs.	145.0172	1037
120	Guide spiral liner insulated; 1.5/4.5; blue; for wire Ø 0.6-0.8; for 3.00 m		124.0011	1034
120	Guide spiral liner insulated; 1.5/4.5; blue; for wire Ø 0.6-0.8; for 4.00 m		124.0012	1034
120	Guide spiral liner insulated; 1.5/4.5; blue; for wire Ø 0.6-0.8; for 5.00 m		124.0015	1034
120	Guide spiral liner insulated; 2.0/4.5; red; for wire Ø 1.0-1.2; for 3.00 m		124.0026	1034
120	Guide spiral liner insulated; 2.0/4.5; red; for wire Ø 1.0-1.2; for 4.00 m		124.0031	1034
120	Guide spiral liner insulated; 2.0/4.5; red; for wire Ø 1.0-1.2; for 5.00 m		124.0035	1034
130	PTFE core liner 1.5/4.0; blue; wire electrode Ø 0.8-1.0; for 3.00 m		126.0005	1034
130	PTFE core liner 1.5/4.0; blue; wire electrode Ø 0.8-1.0; for 4.00 m		126.0008	1034
130	PTFE core liner 1.5/4.0; blue; wire electrode Ø 0.8-1.0; for 5.00 m		126.0011	1034
130	PTFE core liner 2.0/4.0; red; wire electrode Ø 1.0-1.2; for 3.00 m		126.0021	1034
130	PTFE core liner 2.0/4.0; red; wire electrode Ø 1.0-1.2; for 4.00 m		126.0026	1034
130	PTFE core liner 2.0/4.0; red; wire electrode Ø 1.0-1.2; for 5.00 m		126.0028	1034
130	PTFE carbon core liner 1.5/4.0; wire electrode Ø 0.8-1.0; for 3.00 m		127.0002	1034
130	PTFE carbon core liner 1.5/4.0; wire electrode Ø 0.8-1.0; for 4.00 m		127.0003	1034

# MIG/MAG Welding Torches MB GRIP 36 KD

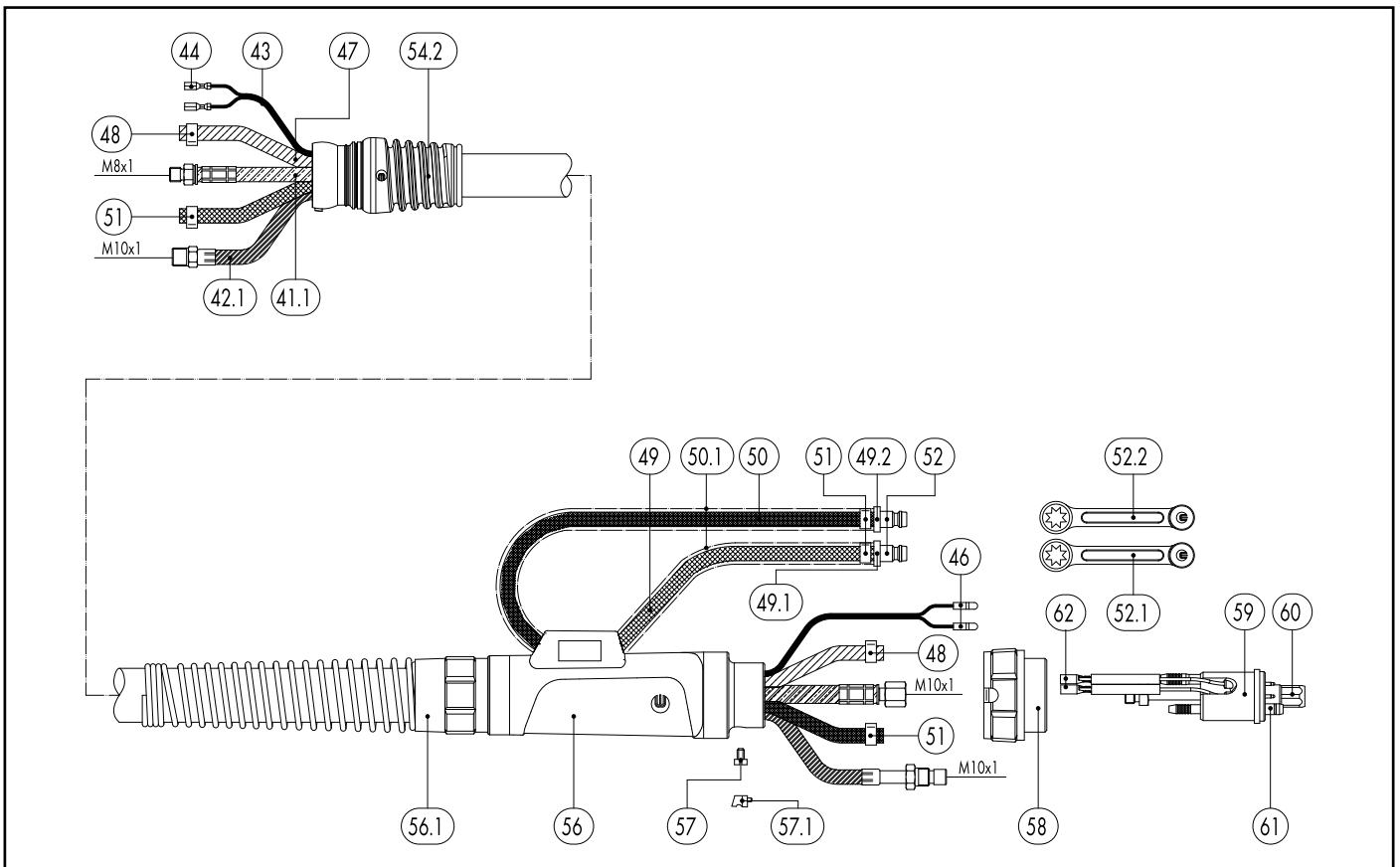
<b>Pos.</b>	<b>Description</b>	<b>Units</b>	<b>Part-No.</b>	<b>Product-group</b>
130	PTFE carbon core liner 1.5/4.0; wire electrode Ø 0.8-1.0; for 5.00 m		127.0004	1034
130	PTFE carbon core liner 2.0/4.0; wire electrode Ø 1.0-1.2; for 3.00 m		127.0005	1034
130	PTFE carbon core liner 2.0/4.0; wire electrode Ø 1.0-1.2; for 4.00 m		127.0007	1034
130	PTFE carbon core liner 2.0/4.0; wire electrode Ø 1.0-1.2; for 5.00 m		127.0008	1034
131	Nipple for core liner at Ø 4.0	20 Pcs.	131.0001	1095
132	O-Ring 3.5x1.5	20 Pcs.	165.0008	9010
133	Guide tube for core liners up to Ø 4.0 (200 mm)	10 Pcs.	129.0461	1095
140	Combined wire guide cpl. polyamide/brass; wire Ø 1.0-1.2; for 3.00 m		128.M002	1034
140	Combined wire guide cpl. polyamide/brass; wire Ø 1.0-1.2; for 4.00 m		128.M003	1034
140	Combined wire guide cpl. polyamide/brass; wire Ø 1.0-1.2; for 5.00 m		128.M004	1034
141	Brass spiral made up with sleeve (200 mm)	10 Pcs.	001.0305	1095
200	Spanner Standard		191.0001	9010

# MIG/MAG Welding Torches MB GRIP 240 D



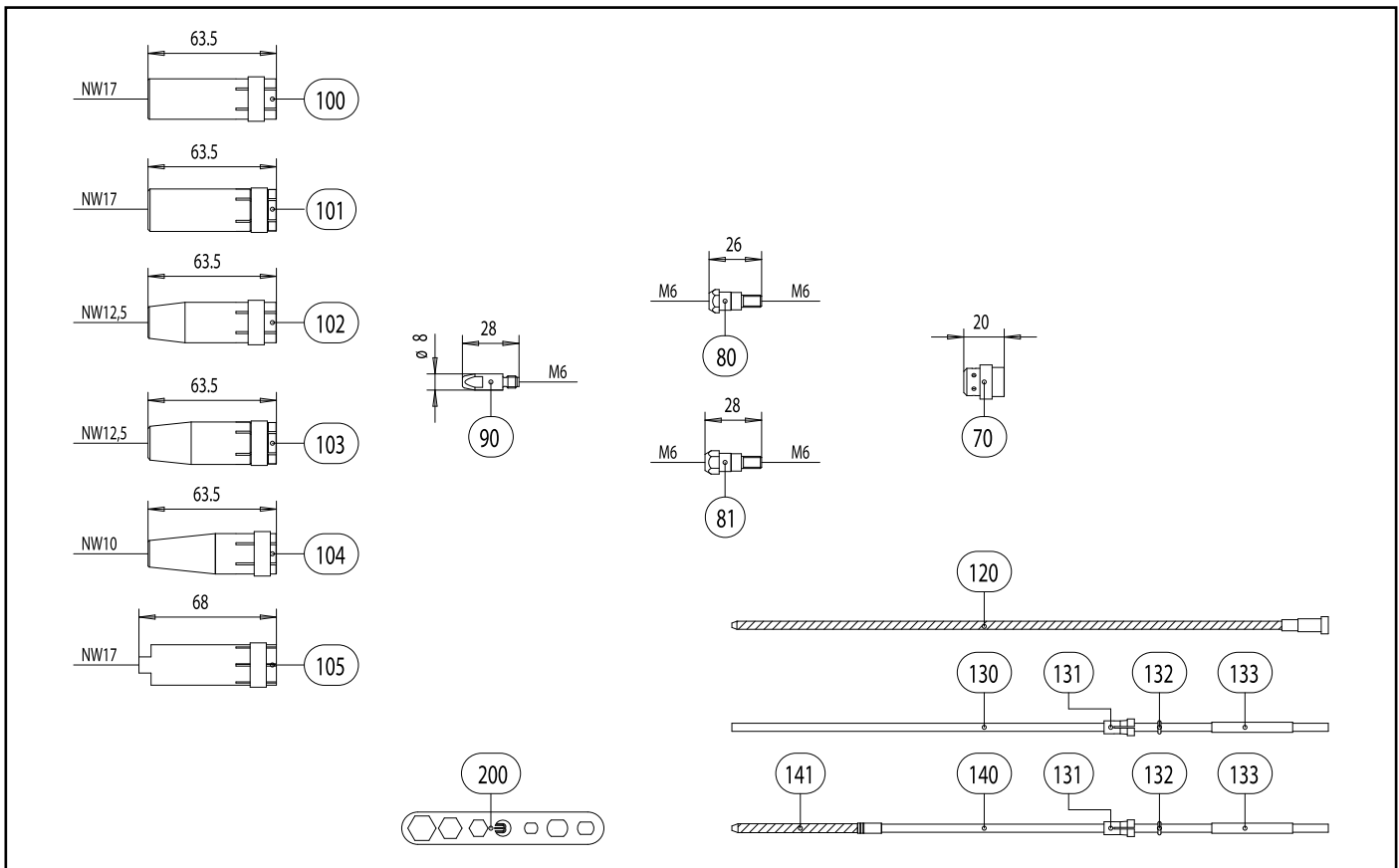
Pos.	Description	Units	Part-No.	Product-group
<b>Torch</b>				
	MB 240 D GRIP; central adaptor WZ-2; 3.00 m		023.0225	1018
	MB 240 D GRIP; central adaptor WZ-2; 4.00 m		023.0226	1018
	MB 240 D GRIP; central adaptor WZ-2; 5.00 m		023.0227	1018
<b>Swan neck</b>				
1.1	Swan neck MB GRIP 240 D; 50° bent		023.0228	1009
<b>Handle GRIP</b>				
11	Handle GRIP with trigger cpl.		180.0127	1095
11.1	Trigger 2-pole GRIP		185.0101	9010
<b>Cable assembly</b>				
41	Power cable MB ERGO / MB GRIP / ABIMIG® (RBH) for 3.00 m		115.0065	1012
41	Power cable MB ERGO / MB GRIP / ABIMIG® (RBH) for 4.00 m		115.0070	1012
41	Power cable MB ERGO / MB GRIP / ABIMIG® (RBH) for 5.00 m		115.0074	1012
42.1	Wire conduit ABIMIG® GRIP / MB GRIP cpl. for 3.00 m		156.0275	1012
42.1	Wire conduit ABIMIG® GRIP / MB GRIP cpl. for 4.00 m		156.0276	1012
42.1	Wire conduit ABIMIG® GRIP / MB GRIP cpl. for 5.00 m		156.0277	1012
43	Control cable 2-pole	200 m	100.0019	4050
44	Trigger wire connector	20 Pcs.	175.0022	9010
46	Plug	20 Pcs.	175.0004	9010
47	Hose 30 black Ø 4.9x1.5	100 m	109.0040	4050
48	Hose clamp Ø 8.7 mm	100 Pcs.	171.0002	9010
49	Hose 42 RBH black; Ø 5.5x1.5	40 m	109.0052	4050
49.1	Code colour ring blue	20 Pcs.	501.2167	9010
49.2	Code colour ring red	20 Pcs.	501.2166	9010
50	Hose 46 black Ø 5.5x1.5 cpl. with plug nipple ND 5; 0.6 m		103.0108	1095
51	Hose clamp Ø 9.0 mm with ring (mark 9.5)	100 Pcs.	173.0001	9010

# MIG/MAG Welding Torches MB GRIP 240 D



Pos.	Description	Units	Part-No.	Product-group
52	Plug nipple ND 5 mm / Ø 6.0 mm	20 Pcs.	501.0114	9010
52.1	Fastener cap red	20 Pcs.	501.2423	1095
52.2	Fastener cap blue	20 Pcs.	501.2424	1095
	Outer cover fabric Ø 25x1.5	40 m	107.0004	4050
54.2	Ball joint cable protection MB GRIP / ABIMIG® GRIP W (liquid cooled)		400.1392.1	1095
	Inner ring for ABIMIG® / ABIMIG® GRIP / MB GRIP (liquid cooled)		400.0790	1095
56	Connection housing large cpl. ND 31		500.0342	9010
56.1	Cable support spring		500.0233	9010
56.1	Biclip inside		400.0328	9010
56.1	Biclip outside		400.0329	9010
57	Pan head screw M4x6	20 Pcs.	000.0552	9010
57.1	Screw cap 1	20 Pcs.	500.0251	9010
58	Adaptor nut M33x2		500.0213	9010
59	Central adaptor WZ-2		501.0015	9010
60	Coupling nut M10x1	10 Pcs.	501.0082	9010
61	O-Ring 4x1	20 Pcs.	165.0002	9010
62	Trigger wire connector; female	20 Pcs.	175.0003	9010
<b>Wear parts</b>				
70	Gas diffuser, white	10 Pcs.	012.0183	1032
70	Gas diffuser, silicone rubber	10 Pcs.	012.0243	1032
80	Contact tip holder M6; 26.0 mm	10 Pcs.	142.0003	1033
81	Contact tip holder M6; 28.0 mm	10 Pcs.	142.0010	1033
90	Contact tip M6 E-Cu; Ø 0.8 (8x28)	10 Pcs.	140.0051	1030
90	Contact tip M6 E-Cu; Ø 1.0 (8x28)	10 Pcs.	140.0242	1030
90	Contact tip M6 E-Cu; Ø 1.2 (8x28)	10 Pcs.	140.0379	1030
90	Contact tip M6 CuCrZr; Ø 0.8 (8x28)	10 Pcs.	140.0054	1031

# MIG/MAG Welding Torches MB GRIP 240 D



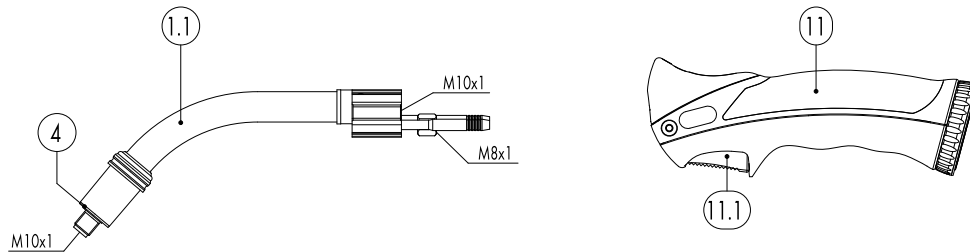
## Pos. Description

Pos.	Description	Units	Part-No.	Product-group
90	Contact tip M6 CuCrZr; Ø 1.0 (8x28)	10 Pcs.	140.0245	1031
90	Contact tip M6 CuCrZr; Ø 1.2 (8x28)	10 Pcs.	140.0382	1031
90	Contact tip M6 E-Cu; Ø 0.8 for alu wire (8x28)	10 Pcs.	141.0001	1030
90	Contact tip M6 E-Cu; Ø 1.0 for alu wire (8x28)	10 Pcs.	141.0006	1030
90	Contact tip M6 E-Cu; Ø 1.2 for alu wire (8x28)	10 Pcs.	141.0010	1030
90	Contact tip M6 CuCrZr silver-plated; Ø 0.8 (8x28)	10 Pcs.	147.0054	1031
90	Contact tip M6 CuCrZr silver-plated; Ø 1.0 (8x28)	10 Pcs.	147.0245	1031
90	Contact tip M6 CuCrZr silver-plated; Ø 1.2 (8x28)	10 Pcs.	147.0382	1031
100	Gas nozzle; cylindrical; ND Ø 17.0	10 Pcs.	145.0047	1036
101	Gas nozzle; cylindrical; heavy duty; ND Ø 17.0	10 Pcs.	145.0062	1036
102	Gas nozzle; conical; ND Ø 12.5	10 Pcs.	145.0080	1036
103	Gas nozzle; conical; heavy duty; ND Ø 12.5	10 Pcs.	145.0101	1036
104	Gas nozzle; tapered; ND Ø 10.0	10 Pcs.	145.0128	1036
105	Spot weld gas nozzle; ND Ø 17.0	10 Pcs.	145.0174	1036
120	Guide spiral liner blank; 1.5/4.0; for wire Ø 0.8; for 3.00 m		122.0005	1034
120	Guide spiral liner blank; 1.5/4.0; for wire Ø 0.8; for 4.00 m		122.0007	1034
120	Guide spiral liner blank; 1.5/4.0; for wire Ø 0.8; for 5.00 m		122.0009	1034
120	Guide spiral liner blank; 2.0/4.5; for wire Ø 1.0-1.2; for 3.00 m		122.0031	1034
120	Guide spiral liner blank; 2.0/4.5; for wire Ø 1.0-1.2; for 4.00 m		122.0036	1034
120	Guide spiral liner blank; 2.0/4.5; for wire Ø 1.0-1.2; for 5.00 m		122.0039	1034
130	PTFE core liner 1.5/4.0; blue; wire electrode Ø 0.8-1.0; for 3.00 m		126.0005	1034
130	PTFE core liner 1.5/4.0; blue; wire electrode Ø 0.8-1.0; for 4.00 m		126.0008	1034
130	PTFE core liner 1.5/4.0; blue; wire electrode Ø 0.8-1.0; for 5.00 m		126.0011	1034
130	PTFE core liner 2.0/4.0; red; wire electrode Ø 1.0-1.2; for 3.00 m		126.0021	1034
130	PTFE core liner 2.0/4.0; red; wire electrode Ø 1.0-1.2; for 4.00 m		126.0026	1034
130	PTFE core liner 2.0/4.0; red; wire electrode Ø 1.0-1.2; for 5.00 m		126.0028	1034

# MIG/MAG Welding Torches MB GRIP 240 D

<b>Pos.</b>	<b>Description</b>	<b>Units</b>	<b>Part-No.</b>	<b>Product- group</b>
130	PTFE carbon core liner 1.5/4.0; wire electrode $\varnothing$ 0.8–1.0; for 3.00 m		127.0002	1034
130	PTFE carbon core liner 1.5/4.0; wire electrode $\varnothing$ 0.8–1.0; for 4.00 m		127.0003	1034
130	PTFE carbon core liner 1.5/4.0; wire electrode $\varnothing$ 0.8–1.0; for 5.00 m		127.0004	1034
130	PTFE carbon core liner 2.0/4.0; wire electrode $\varnothing$ 1.0–1.2; for 3.00 m		127.0005	1034
130	PTFE carbon core liner 2.0/4.0; wire electrode $\varnothing$ 1.0–1.2; for 4.00 m		127.0007	1034
130	PTFE carbon core liner 2.0/4.0; wire electrode $\varnothing$ 1.0–1.2; for 5.00 m		127.0008	1034
131	Nipple for core liner at $\varnothing$ 4.0	20 Pcs.	131.0001	1095
132	O-Ring 3.5x1.5	20 Pcs.	165.0008	9010
133	Guide tube for core liners up to $\varnothing$ 4.0 (200 mm)	10 Pcs.	129.0461	1095
140	Combined wire guide cpl. polyamide/brass; wire $\varnothing$ 1.0–1.2; for 3.00 m		128.M002	1034
140	Combined wire guide cpl. polyamide/brass; wire $\varnothing$ 1.0–1.2; for 4.00 m		128.M003	1034
140	Combined wire guide cpl. polyamide/brass; wire $\varnothing$ 1.0–1.2; for 5.00 m		128.M004	1034
141	Brass spiral made up with sleeve (200 mm)	10 Pcs.	001.0305	1095
200	Spanner Standard		191.0001	9010

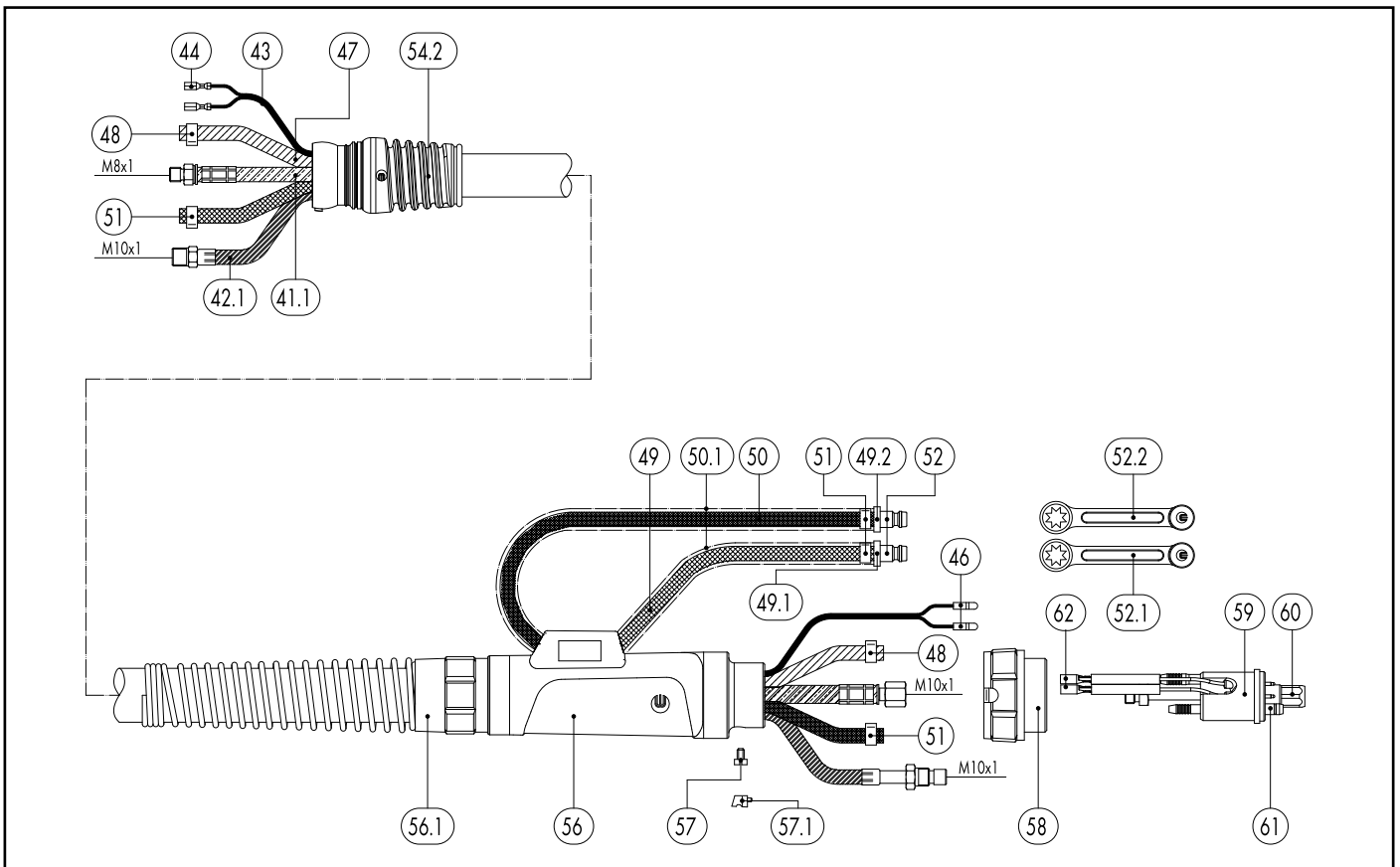
# MIG/MAG Welding Torches MB GRIP 401 / 401 D



Pos.	Description	Units	Part-No.	Product-group
<b>Torch (D-Version)</b>				
	MB 401 D GRIP; central adaptor WZ-2; 3.00 m		033.0271	1018
	MB 401 D GRIP; central adaptor WZ-2; 4.00 m		033.0272	1018
	MB 401 D GRIP; central adaptor WZ-2; 5.00 m		033.0273	1018
<b>Torch</b>				
	MB 401 GRIP; central adaptor WZ-2; 3.00 m		030.0205	1018
	MB 401 GRIP; central adaptor WZ-2; 4.00 m		030.0206	1018
	MB 401 GRIP; central adaptor WZ-2; 5.00 m		030.0207	1018
<b>Swan neck (D-Version)</b>				
1	Swan neck MB 401 D; 50° bent		033.0001	1009
1.1	Swan neck MB GRIP 401 D; 50° bent		033.0277	1009
4	Insulator	20 Pcs.	030.0019	1095
<b>Swan neck</b>				
	Swan neck MB 401; 50° bent		030.0001	1009
	Swan neck MB GRIP 401; 50° bent		030.0208	1009
<b>Handle GRIP</b>				
11	Handle GRIP with trigger cpl.		180.0127	1095
11.1	Trigger 2-pole GRIP		185.0101	9010
<b>Cable assembly</b>				
41	Power cable MB ERGO / MB GRIP / ABIMIG® (RBH) for 3.00 m		115.0065	1012
41	Power cable MB ERGO / MB GRIP / ABIMIG® (RBH) for 4.00 m		115.0070	1012
41	Power cable MB ERGO / MB GRIP / ABIMIG® (RBH) for 5.00 m		115.0074	1012
42.1	Wire conduit ABIMIG® GRIP / MB GRIP cpl. for 3.00 m		156.0275	1012
42.1	Wire conduit ABIMIG® GRIP / MB GRIP cpl. for 4.00 m		156.0276	1012
42.1	Wire conduit ABIMIG® GRIP / MB GRIP cpl. for 5.00 m		156.0277	1012
43	Control cable 2-pole	200 m	100.0019	4050

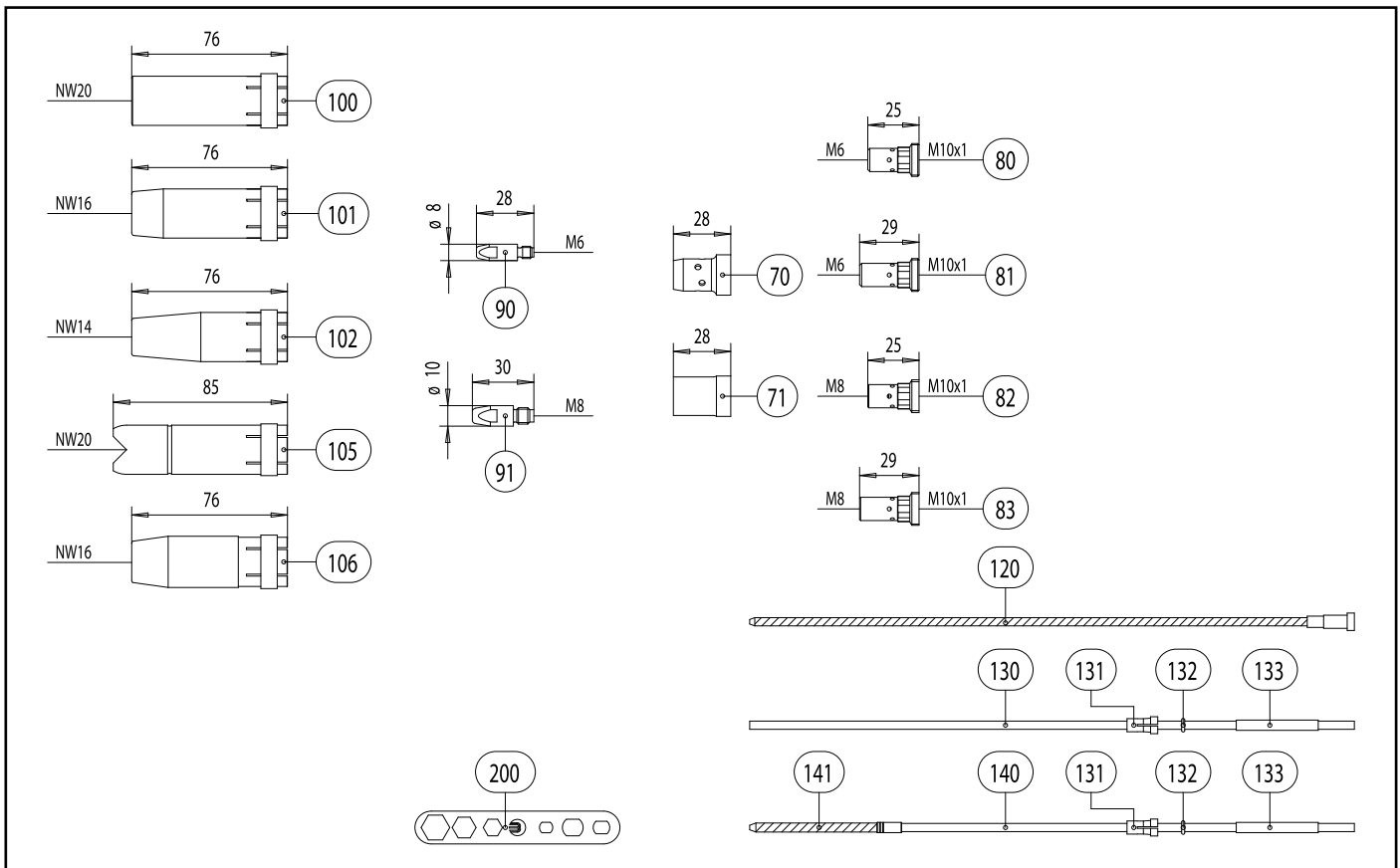


# MIG/MAG Welding Torches MB GRIP 401 / 401 D



Pos.	Description	Units	Part-No.	Product-group
44	Trigger wire connector	20 Pcs.	175.0022	9010
46	Plug	20 Pcs.	175.0004	9010
47	Hose 30 black Ø 4.9x1.5	100 m	109.0040	4050
48	Hose clamp Ø 8.7 mm	100 Pcs.	171.0002	9010
49	Hose 42 RBH black; Ø 5.5x1.5	40 m	109.0052	4050
49.1	Code colour ring blue	20 Pcs.	501.2167	9010
49.2	Code colour ring red	20 Pcs.	501.2166	9010
50	Hose 46 black Ø 5.5x1.5 cpl. with plug nipple ND 5; 0.6 m		103.0108	1095
51	Hose clamp Ø 9.0 mm with ring (mark 9.5)	100 Pcs.	173.0001	9010
52	Plug nipple ND 5 mm / Ø 6.0 mm	20 Pcs.	501.0114	9010
52.1	Fastener cap red	20 Pcs.	501.2423	1095
52.2	Fastener cap blue	20 Pcs.	501.2424	1095
53	Outer cover with cable support Ø 25x1.5 for 3.00 m		107.0079	1095
53	Outer cover with cable support Ø 25x1.5 for 4.00 m		107.0044	1095
53	Outer cover with cable support Ø 25x1.5 for 5.00 m		107.0080	1095
	Outer cover Ø 25x1.5	40 m	107.0004	4050
54.2	Ball joint cable protection MB GRIP / ABIMIG® GRIP W (liquid cooled)		400.1392.1	1095
	Inner ring for ABIMIG® / ABIMIG® GRIP / MB GRIP (liquid cooled)		400.0790	1095
56	Cable support machine side big cpl. ND 31		500.0342	9010
56.1	Cable support spring		500.0233	9010
56.1	Biclip inside		400.0328	9010
56.1	Biclip outside		400.0329	9010
57	Pan head screw M4x6	20 Pcs.	000.0552	9010
57.1	Screw cap 1	20 Pcs.	500.0251	9010
58	Adaptor nut M33x2		500.0213	9010
59	Central adaptor WZ-2		501.0015	9010

# MIG/MAG Welding Torches MB GRIP 401 / 401 D

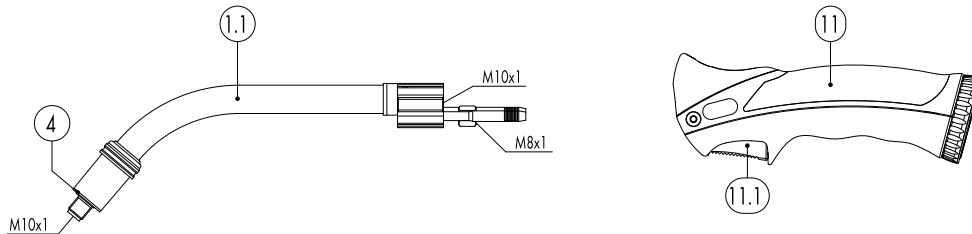


Pos.	Description	Units	Part-No.	Product-group
60	Coupling nut M10x1	10 Pcs.	501.0082	9010
61	O-Ring 4x1	20 Pcs.	165.0002	9010
62	Trigger wire connector; female	20 Pcs.	175.0003	9010
<b>Wear parts MB 401 / 401 D</b>				
70	Gas diffuser, white	10 Pcs.	030.0145	1032
70	Gas diffuser, long life	10 Pcs.	030.0037	1032
70	Gas diffuser, ceramic	10 Pcs.	030.0190	1032
71	Nozzle insulator	10 Pcs.	146.0013	1032
<b>Wear parts MB 401 D</b>				
80	Contact tip holder M6; 25.0 mm (short)	10 Pcs.	142.0008	1033
81	Contact tip holder M6; 29.0 mm (long)	10 Pcs.	142.0013	1033
82	Contact tip holder M8; 25.0 mm (short)	10 Pcs.	142.0022	1033
	Contact tip holder M8; 27.0 mm; CuCrZr	10 Pcs.	142.0201.10	1033
83	Contact tip holder M8; 29.0 mm (long)	10 Pcs.	142.0027	1033
<b>Wear parts MB 401 / 401 D</b>				
90	Contact tip M6 E-Cu; Ø 0.8 (8x28)	10 Pcs.	140.0051	1030
90	Contact tip M6 E-Cu; Ø 1.0 (8x28)	10 Pcs.	140.0242	1030
90	Contact tip M6 E-Cu; Ø 1.2 (8x28)	10 Pcs.	140.0379	1030
90	Contact tip M6 CuCrZr; Ø 0.8 (8x28)	10 Pcs.	140.0054	1031
90	Contact tip M6 CuCrZr; Ø 1.0 (8x28)	10 Pcs.	140.0245	1031
90	Contact tip M6 CuCrZr; Ø 1.2 (8x28)	10 Pcs.	140.0382	1031
90	Contact tip M6 E-Cu; Ø 0.8 for alu wire (8x28)	10 Pcs.	141.0001	1030
90	Contact tip M6 E-Cu; Ø 1.0 for alu wire (8x28)	10 Pcs.	141.0006	1030
90	Contact tip M6 CuCrZr silver-plated; Ø 0.8 (8x28)	10 Pcs.	147.0054	1031
90	Contact tip M6 E-Cu; Ø 1.2 for alu wire (8x28)	10 Pcs.	141.0010	1030
90	Contact tip M6 CuCrZr silver-plated; Ø 1.0 (8x28)	10 Pcs.	147.0245	1031

# MIG/MAG Welding Torches MB GRIP 401 / 401 D

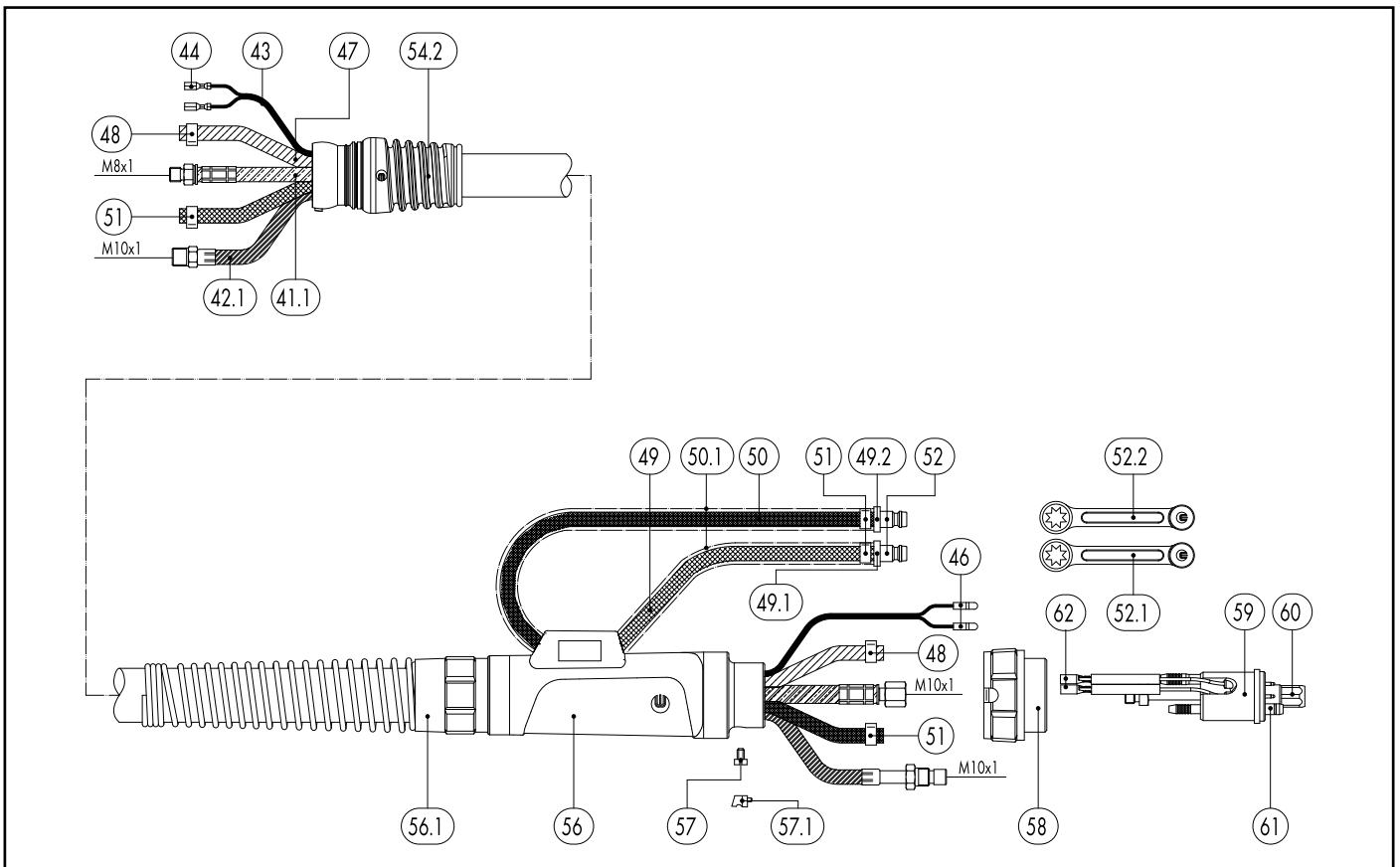
Pos.	Description	Units	Part-No.	Product-group
90	Contact tip M6 CuCrZr silver-plated; Ø 1.2 (8x28)	10 Pcs.	147.0382	1031
91	Contact tip M8 E-Cu; Ø 0.8 (10x30)	10 Pcs.	140.0114	1030
91	Contact tip M8 E-Cu; Ø 1.0 (10x30)	10 Pcs.	140.0313	1030
91	Contact tip M8 E-Cu; Ø 1.2 (10x30)	10 Pcs.	140.0442	1030
91	Contact tip M8 CuCrZr; Ø 0.8 (10x30)	10 Pcs.	140.0117	1031
91	Contact tip M8 CuCrZr; Ø 1.0 (10x30)	10 Pcs.	140.0316	1031
91	Contact tip M8 CuCrZr; Ø 1.2 (10x30)	10 Pcs.	140.0445	1031
91	Contact tip M8 CuCrZr silver-plated; Ø 0.8 (10x30)	10 Pcs.	147.0117	1031
91	Contact tip M8 CuCrZr silver-plated; Ø 1.0 (10x30)	10 Pcs.	147.0316	1031
91	Contact tip M8 CuCrZr silver-plated; Ø 1.2 (10x30)	10 Pcs.	147.0445	1031
91	Contact tip M8 E-Cu; Ø 0.8 for alu wire (10x30)	10 Pcs.	141.0003	1030
91	Contact tip M8 E-Cu; Ø 1.0 for alu wire (10x30)	10 Pcs.	141.0008	1030
91	Contact tip M8 E-Cu; Ø 1.2 for alu wire (10x30)	10 Pcs.	141.0015	1030
100	Gas nozzle; cylindrical; ND Ø 20.0	10 Pcs.	145.0051	1037
101	Gas nozzle; conical; ND Ø 16.0	10 Pcs.	145.0085	1037
102	Gas nozzle; tapered; ND Ø 14.0	10 Pcs.	145.0132	1037
105	Spot weld gas nozzle; ND Ø 20.0	10 Pcs.	145.0179	1037
106	Gas nozzle; heavy duty; ND Ø 16.0 (only use with nozzle insulator)	10 Pcs.	145.0086	1037
120	Guide spiral liner blank; 1.5/4.0; for wire Ø 0.8; for 3.00 m		122.0005	1034
120	Guide spiral liner blank; 1.5/4.0; for wire Ø 0.8; for 4.00 m		122.0007	1034
120	Guide spiral liner blank; 1.5/4.0; for wire Ø 0.8; for 5.00 m		122.0009	1034
120	Guide spiral liner blank; 2.0/4.5; for wire Ø 1.0-1.2; for 3.00 m		122.0031	1034
120	Guide spiral liner blank; 2.0/4.5; for wire Ø 1.0-1.2; for 4.00 m		122.0036	1034
120	Guide spiral liner blank; 2.0/4.5; for wire Ø 1.0-1.2; for 5.00 m		122.0039	1034
130	PTFE core liner 1.5/4.0; blue; wire electrode Ø 0.8-1.0; for 3.00 m		126.0005	1034
130	PTFE core liner 1.5/4.0; blue; wire electrode Ø 0.8-1.0; for 4.00 m		126.0008	1034
130	PTFE core liner 1.5/4.0; blue; wire electrode Ø 0.8-1.0; for 5.00 m		126.0011	1034
130	PTFE core liner 2.0/4.0; red; wire electrode Ø 1.0-1.2; for 3.00 m		126.0021	1034
130	PTFE core liner 2.0/4.0; red; wire electrode Ø 1.0-1.2; for 4.00 m		126.0026	1034
130	PTFE core liner 2.0/4.0; red; wire electrode Ø 1.0-1.2; for 5.00 m		126.0028	1034
130	PTFE carbon core liner 1.5/4.0; wire electrode Ø 0.8-1.0; for 3.00 m		127.0002	1034
130	PTFE carbon core liner 1.5/4.0; wire electrode Ø 0.8-1.0; for 4.00 m		127.0003	1034
130	PTFE carbon core liner 1.5/4.0; wire electrode Ø 0.8-1.0; for 5.00 m		127.0004	1034
130	PTFE carbon core liner 2.0/4.0; wire electrode Ø 1.0-1.2; for 3.00 m		127.0005	1034
130	PTFE carbon core liner 2.0/4.0; wire electrode Ø 1.0-1.2; for 4.00 m		127.0007	1034
130	PTFE carbon core liner 2.0/4.0; wire electrode Ø 1.0-1.2; for 5.00 m		127.0008	1034
131	Nipple for core liner at Ø 4.0	20 Pcs.	131.0001	1095
132	O-Ring 3.5x1.5	20 Pcs.	165.0008	9010
133	Guide tube for core liners up to Ø 4.0 (200 mm)	10 Pcs.	129.0461	1095
140	Combined wire guide cpl. polyamide/brass; wire Ø 1.0-1.2; for 3.00 m		128.M002	1034
140	Combined wire guide cpl. polyamide/brass; wire Ø 1.0-1.2; for 4.00 m		128.M003	1034
140	Combined wire guide cpl. polyamide/brass; wire Ø 1.0-1.2; for 5.00 m		128.M004	1034
141	Brass spiral made up with sleeve (200 mm)	10 Pcs.	001.0305	1095
200	Spanner Standard		191.0001	9010

# MIG/MAG Welding Torches MB GRIP 501 / 501 D



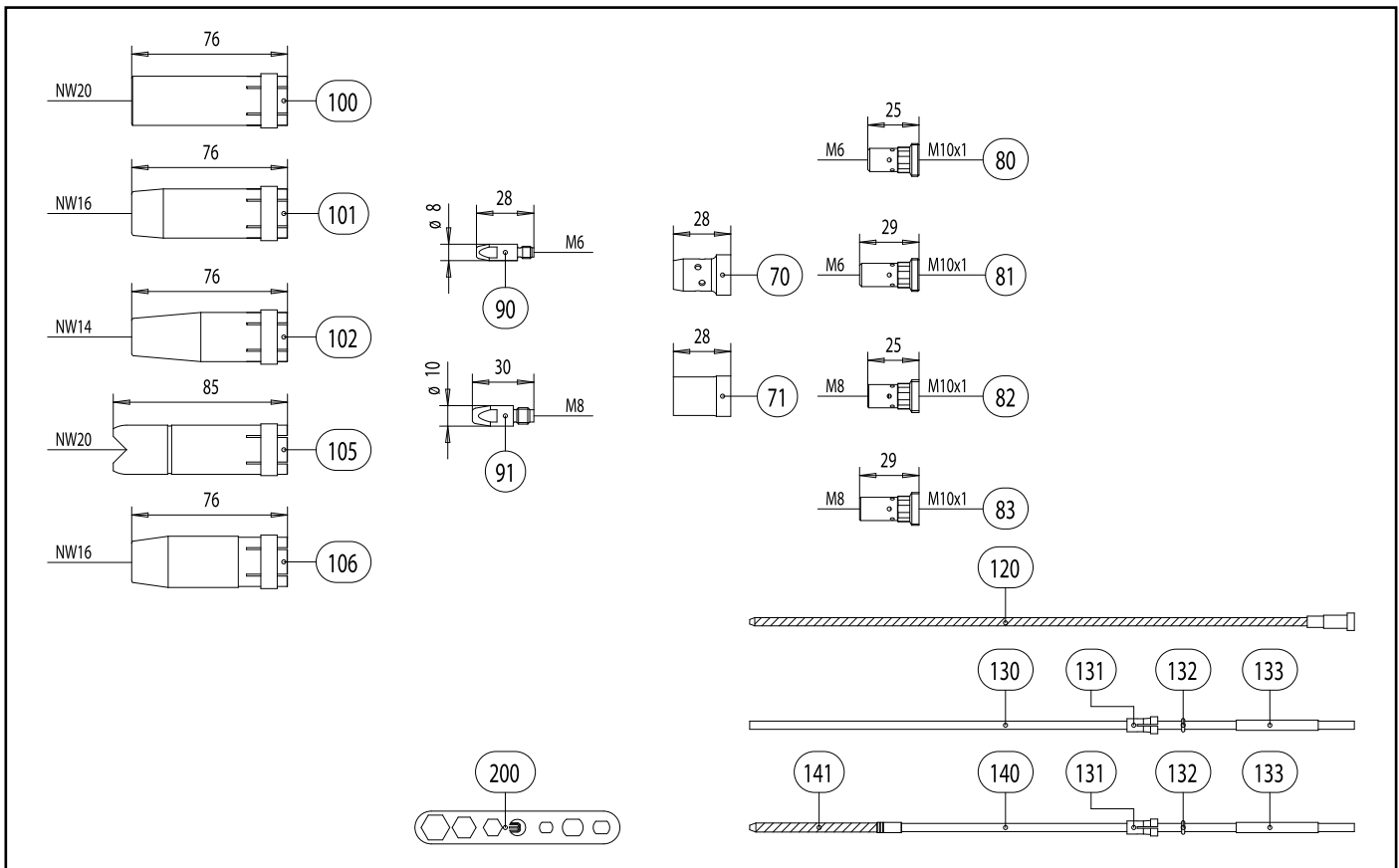
Pos.	Description	Units	Part-No.	Product-group
<b>Torch (D-Version)</b>				
	MB 501 D GRIP; central adaptor WZ-2; 3.00 m		034.0492	1018
	MB 501 D GRIP; central adaptor WZ-2; 4.00 m		034.0493	1018
	MB 501 D GRIP; central adaptor WZ-2; 5.00 m		034.0494	1018
<b>Torch</b>				
	MB 501 GRIP; central adaptor WZ-2; 3.00 m		032.0231	1018
	MB 501 GRIP; central adaptor WZ-2; 4.00 m		032.0232	1018
	MB 501 GRIP; central adaptor WZ-2; 5.00 m		032.0233	1018
<b>Swan neck (D-Version)</b>				
1.1	Swan neck MB GRIP 501 D; 50° bent		034.0496	1009
4	Insulator	20 Pcs.	030.0019	1095
<b>Swan neck</b>				
	Swan neck MB GRIP 501; 50° bent		032.0234	1009
<b>Handle GRIP</b>				
11	Handle GRIP with trigger cpl.		180.0127	1095
11.1	Trigger 2-pole GRIP		185.0101	9010
<b>Cable assembly</b>				
42.1	Wire conduit ABIMIG® GRIP / MB GRIP cpl. for 3.00 m		156.0275	1012
42.1	Wire conduit ABIMIG® GRIP / MB GRIP cpl. for 4.00 m		156.0276	1012
42.1	Wire conduit ABIMIG® GRIP / MB GRIP cpl. for 5.00 m		156.0277	1012
43	Control cable 2-pole	200 m	100.0019	4050
44	Trigger wire connector	20 Pcs.	175.0022	9010
46	Plug	20 Pcs.	175.0004	9010
47	Hose 30 black Ø 4.9x1.5	100 m	109.0040	4050
48	Hose clamp Ø 8.7 mm	100 Pcs.	171.0002	9010
49	Hose 42 RBH black; Ø 5.5x1.5	40 m	109.0052	4050

# MIG/MAG Welding Torches MB GRIP 501 / 501 D



Pos.	Description	Units	Part-No.	Product-group
49.1	Code colour ring blue	20 Pcs.	501.2167	9010
49.2	Code colour ring red	20 Pcs.	501.2166	9010
50	Hose 46 black Ø 5.5x1.5 cpl. with plug nipple ND 5; 0.6 m		103.0108	1095
51	Hose clamp Ø 9.0 mm with ring (mark 9.5)	100 Pcs.	173.0001	9010
52	Plug nipple ND 5 mm / Ø 6.0 mm	20 Pcs.	501.0114	9010
52.1	Fastener cap red	20 Pcs.	501.2423	1095
52.2	Fastener cap blue	20 Pcs.	501.2424	1095
	Outer cover Ø 25x1.5	40 m	107.0004	4050
54.2	Ball joint cable protection MB GRIP / ABIMIG® GRIP W (liquid cooled)		400.1392.1	1095
	Inner ring for ABIMIG® / ABIMIG® GRIP / MB GRIP (liquid cooled)		400.0790	1095
56	Cable support machine side big cpl. ND 31		500.0342	9010
56.1	Cable support spring		500.0233	9010
56.1	Biclip inside		400.0328	9010
56.1	Biclip outside		400.0329	9010
57	Pan head screw M4x6	20 Pcs.	000.0552	9010
57.1	Screw cap 1	20 Pcs.	500.0251	9010
58	Adaptor nut M33x2		500.0213	9010
59	Central adaptor WZ-2		501.0015	9010
60	Coupling nut M10x1	10 Pcs.	501.0082	9010
61	O-Ring 4x1	20 Pcs.	165.0002	9010
62	Trigger wire connector; female	20 Pcs.	175.0003	9010
<b>Wear parts MB 501 / 501 D</b>				
70	Gas diffuser, white	10 Pcs.	030.0145	1032
70	Gas diffuser, ceramic	10 Pcs.	030.0190	1032
70	Gas diffuser, long life	10 Pcs.	030.0037	1032
71	Nozzle insulator	10 Pcs.	146.0013	1032

# MIG/MAG Welding Torches MB GRIP 501 / 501 D



## Pos. Description

## Units

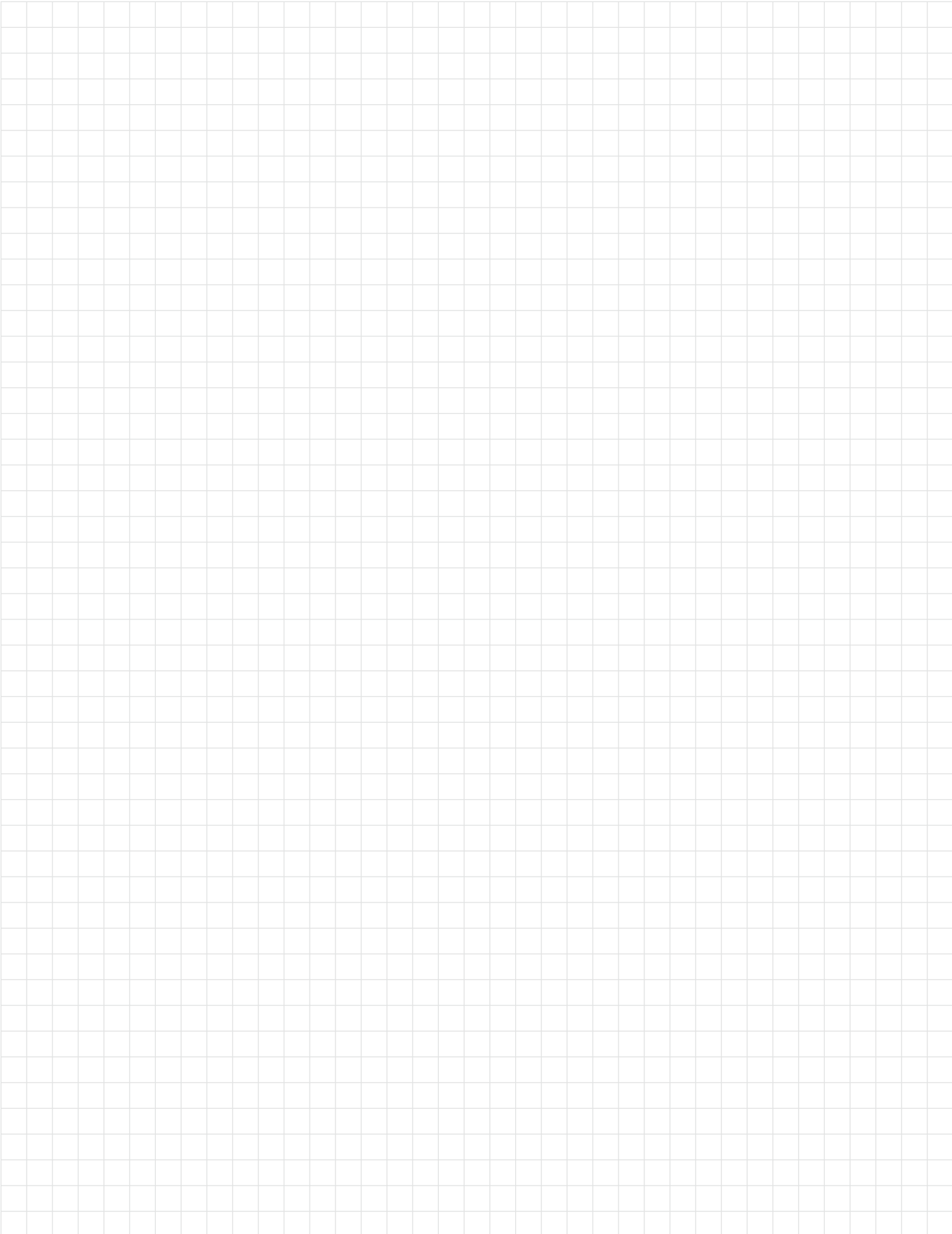
## Part-No.

## Product-group

Pos.	Description	Units	Part-No.	Product-group
<b>Wear parts MB 501 D</b>				
80	Contact tip holder M6; 25.0 mm (short)	10 Pcs.	142.0008	1033
81	Contact tip holder M6; 29.0 mm (long)	10 Pcs.	142.0013	1033
82	Contact tip holder M8; 25.0 mm (short)	10 Pcs.	142.0022	1033
	Contact tip holder M8; 27.0 mm; CuCrZr	10 Pcs.	142.0201.10	1033
83	Contact tip holder M8; 29.0 mm (long)	10 Pcs.	142.0027	1033
<b>Wear parts MB 501 / 501 D</b>				
90	Contact tip M6 E-Cu; Ø 1.0 (8x28)	10 Pcs.	140.0242	1030
90	Contact tip M6 E-Cu; Ø 1.2 (8x28)	10 Pcs.	140.0379	1030
90	Contact tip M6 E-Cu; Ø 1.6 (8x28)	10 Pcs.	140.0555	1030
90	Contact tip M6 CuCrZr; Ø 1.0 (8x28)	10 Pcs.	140.0245	1031
90	Contact tip M6 CuCrZr; Ø 1.2 (8x28)	10 Pcs.	140.0382	1031
90	Contact tip M6 CuCrZr; Ø 1.6 (8x28)	10 Pcs.	140.0558	1031
90	Contact tip M6 CuCrZr silver-plated; Ø 1.0 (8x28)	10 Pcs.	147.0245	1031
90	Contact tip M6 E-Cu; Ø 1.0 for alu wire (8x28)	10 Pcs.	141.0006	1030
90	Contact tip M6 E-Cu; Ø 1.2 for alu wire (8x28)	10 Pcs.	141.0010	1030
90	Contact tip M6 CuCrZr silver-plated; Ø 1.2 (8x28)	10 Pcs.	147.0382	1031
90	Contact tip M6 E-Cu; Ø 1.6 for alu wire (8x28)	10 Pcs.	141.0020	1030
91	Contact tip M8 E-Cu; Ø 1.0 (10x30)	10 Pcs.	140.0313	1030
91	Contact tip M8 E-Cu; Ø 1.2 (10x30)	10 Pcs.	140.0442	1030
91	Contact tip M8 E-Cu; Ø 1.6 (10x30)	10 Pcs.	140.0587	1030
91	Contact tip M8 CuCrZr; Ø 1.0 (10x30)	10 Pcs.	140.0316	1031
91	Contact tip M8 CuCrZr; Ø 1.2 (10x30)	10 Pcs.	140.0445	1031
91	Contact tip M8 CuCrZr silver-plated; Ø 1.0 (10x30)	10 Pcs.	147.0316	1031
91	Contact tip M8 CuCrZr; Ø 1.6 (10x30)	10 Pcs.	140.0590	1031
91	Contact tip M8 CuCrZr silver-plated; Ø 1.2 (10x30)	10 Pcs.	147.0445	1031

# MIG/MAG Welding Torches MB GRIP 501 / 501 D

Pos.	Description	Units	Part-No.	Product-group
91	Contact tip M8 CuCrZr silver-plated; Ø 1.6 (10x30)	10 Pcs.	147.0590	1031
91	Contact tip M8 E-Cu; Ø 1.0 for alu wire (10x30)	10 Pcs.	141.0008	1030
91	Contact tip M8 E-Cu; Ø 1.2 for alu wire (10x30)	10 Pcs.	141.0015	1030
91	Contact tip M8 E-Cu; Ø 1.6 for alu wire (10x30)	10 Pcs.	141.0022	1030
100	Gas nozzle; cylindrical; ND Ø 20.0	10 Pcs.	145.0051	1037
101	Gas nozzle; conical; ND Ø 16.0	10 Pcs.	145.0085	1037
102	Gas nozzle; tapered; ND Ø 14.0	10 Pcs.	145.0132	1037
105	Spot weld gas nozzle; ND Ø 20.0	10 Pcs.	145.0179	1037
106	Gas nozzle; heavy duty; ND Ø 16.0 (only use with nozzle insulator)	10 Pcs.	145.0086	1037
120	Guide spiral liner blank; 2.0/4.5; for wire Ø 1.0-1.2; for 3.00 m		122.0031	1034
120	Guide spiral liner blank; 2.0/4.5; for wire Ø 1.0-1.2; for 4.00 m		122.0036	1034
120	Guide spiral liner blank; 2.0/4.5; for wire Ø 1.0-1.2; for 5.00 m		122.0039	1034
120	Guide spiral liner blank; 2.5/4.5; for wire Ø 1.6; for 3.00 m		122.0056	1034
120	Guide spiral liner blank; 2.5/4.5; for wire Ø 1.6; for 4.00 m		122.0060	1034
120	Guide spiral liner blank; 2.5/4.5; for wire Ø 1.6; for 5.00 m		122.0063	1034
130	PTFE core liner 2.0/4.0; red; wire electrode Ø 1.0-1.2; for 3.00 m		126.0021	1034
130	PTFE core liner 2.0/4.0; red; wire electrode Ø 1.0-1.2; for 4.00 m		126.0026	1034
130	PTFE core liner 2.0/4.0; red; wire electrode Ø 1.0-1.2; for 5.00 m		126.0028	1034
130	PTFE core liner 2.7/4.7; yellow; wire electrode Ø 1.6; for 3.00 m		126.0039	1034
130	PTFE core liner 2.7/4.7; yellow; wire electrode Ø 1.6; for 4.00 m		126.0042	1034
130	PTFE core liner 2.7/4.7; yellow; wire electrode Ø 1.6; for 5.00 m		126.0045	1034
130	PTFE carbon core liner 2.0/4.0; wire electrode Ø 1.0-1.2; for 3.00 m		127.0005	1034
130	PTFE carbon core liner 2.0/4.0; wire electrode Ø 1.0-1.2; for 4.00 m		127.0007	1034
130	PTFE carbon core liner 2.0/4.0; wire electrode Ø 1.0-1.2; for 5.00 m		127.0008	1034
130	PTFE carbon core liner 2.7/4.7; wire electrode Ø 1.6; for 3.00 m		127.0010	1034
130	PTFE carbon core liner 2.7/4.7; wire electrode Ø 1.6; for 4.00 m		127.0012	1034
130	PTFE carbon core liner 2.7/4.7; wire electrode Ø 1.6; for 5.00 m		127.0013	1034
131	Nipple for core liner at Ø 4.0	20 Pcs.	131.0001	1095
131	Nipple for core liner at Ø 4.7	20 Pcs.	131.0002	1095
132	O-Ring 3.5x1.5	20 Pcs.	165.0008	9010
133	Guide tube for core liners up to Ø 4.0 (200 mm)	10 Pcs.	129.0461	1095
140	Combined wire guide cpl. polyamide/brass; wire Ø 1.0-1.2; for 3.00 m		128.M002	1034
140	Combined wire guide cpl. polyamide/brass; wire Ø 1.0-1.2; for 4.00 m		128.M003	1034
140	Combined wire guide cpl. polyamide/brass; wire Ø 1.0-1.2; for 5.00 m		128.M004	1034
141	Brass spiral made up with sleeve (200 mm)	10 Pcs.	001.0305	1095
200	Spanner Standard		191.0001	9010





## MIG/MAG Welding Torches

# ABIMIG® GRIP A LW

## air cooled

**“The perfect combination of high performance and featherly weight”**

The MIG/MAG Welding Torches ABIMIG® GRIP A air cooled with the innovative 2 component handle system “GRIP”, combine ergonomics and feel with all common module variations (for switch and control functions) as well as “switch on top” solutions. “GRIP” insert and ball joint in the handle guarantee secure grip and optimal handling.

The torches of the ABIMIG® GRIP A series utilize the newly developed Low Weight Bikox®, which gives perfect balance to these weight reduced torches for effortless welding in all positions.

- Low Weight Bikox® - up to 50% weight saving
- Ergonomic short handle with “GRIP” soft components on the handle, thumb rest and ball joint - guarantees optimal handling in all positions
- Screw-on gas nozzle with thermoprotective insulation - extending life time
- Function integrated tip holder (gas diffuser, gas nozzle holder and contact tip holder in one piece) - reduces stock requirements
- Laminar gas feed - excellent gas coverage for best welding results
- Changeable gas nozzle seat - “extends” operating cycle of the torch neck and reduces maintenance costs
- Electrically insulated liner and connection nut (on the central adaptor) enables exact setting of the arc parameters and therefore repeatability of welding results

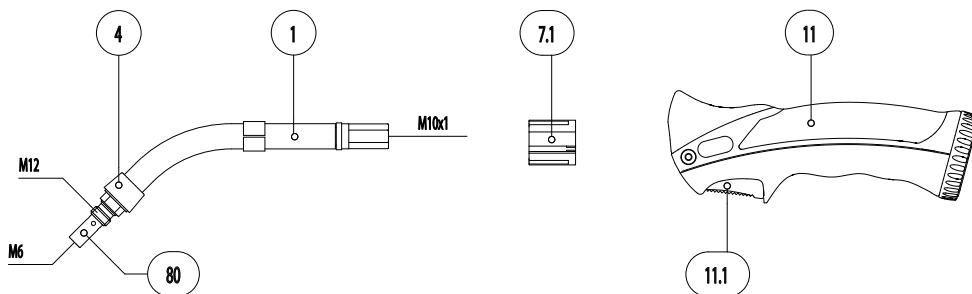
### Technical data (EN 60 974-7)

### MIG/MAG Welding Torches “ABIMIG® GRIP A LW” (air cooled)

Type	Rating (A)		Duty cycle (%)	Wire size (mm)
	CO <sub>2</sub>	Mixed gases M21		
ABIMIG® GRIP A 155 LW	190	170	60	0.6-1.0
ABIMIG® GRIP A 255 LW	240	210	60	0.8-1.2
ABIMIG® GRIP A 305 LW	270	240	60	0.8-1.2
ABIMIG® GRIP A 355 LW	300	270	60	1.0-1.6
ABIMIG® GRIP A 405 LW	370	300	60	1.0-1.6

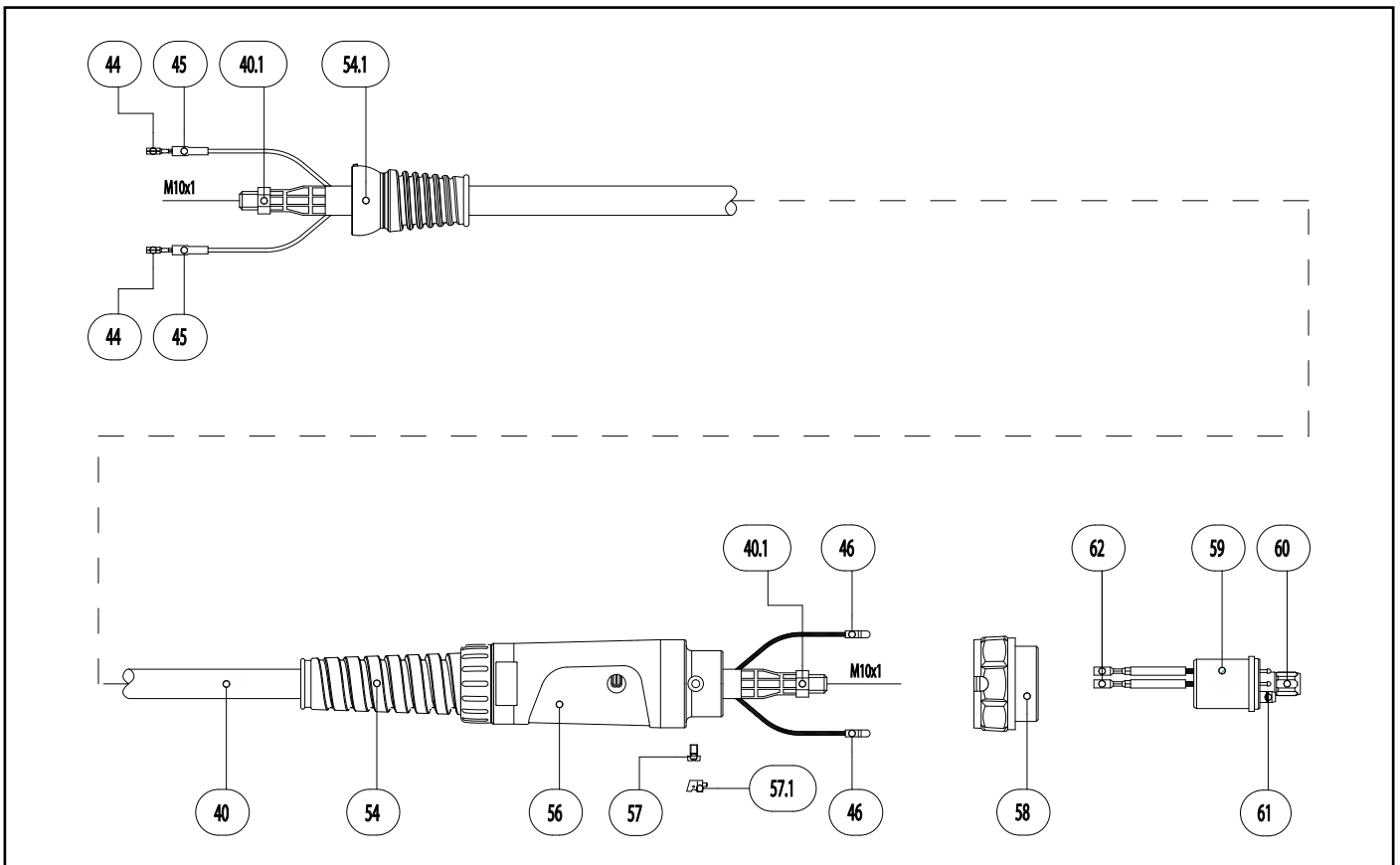
Subject to change without notice.

# MIG/MAG Welding Torches ABIMIG® GRIP A 155 LW



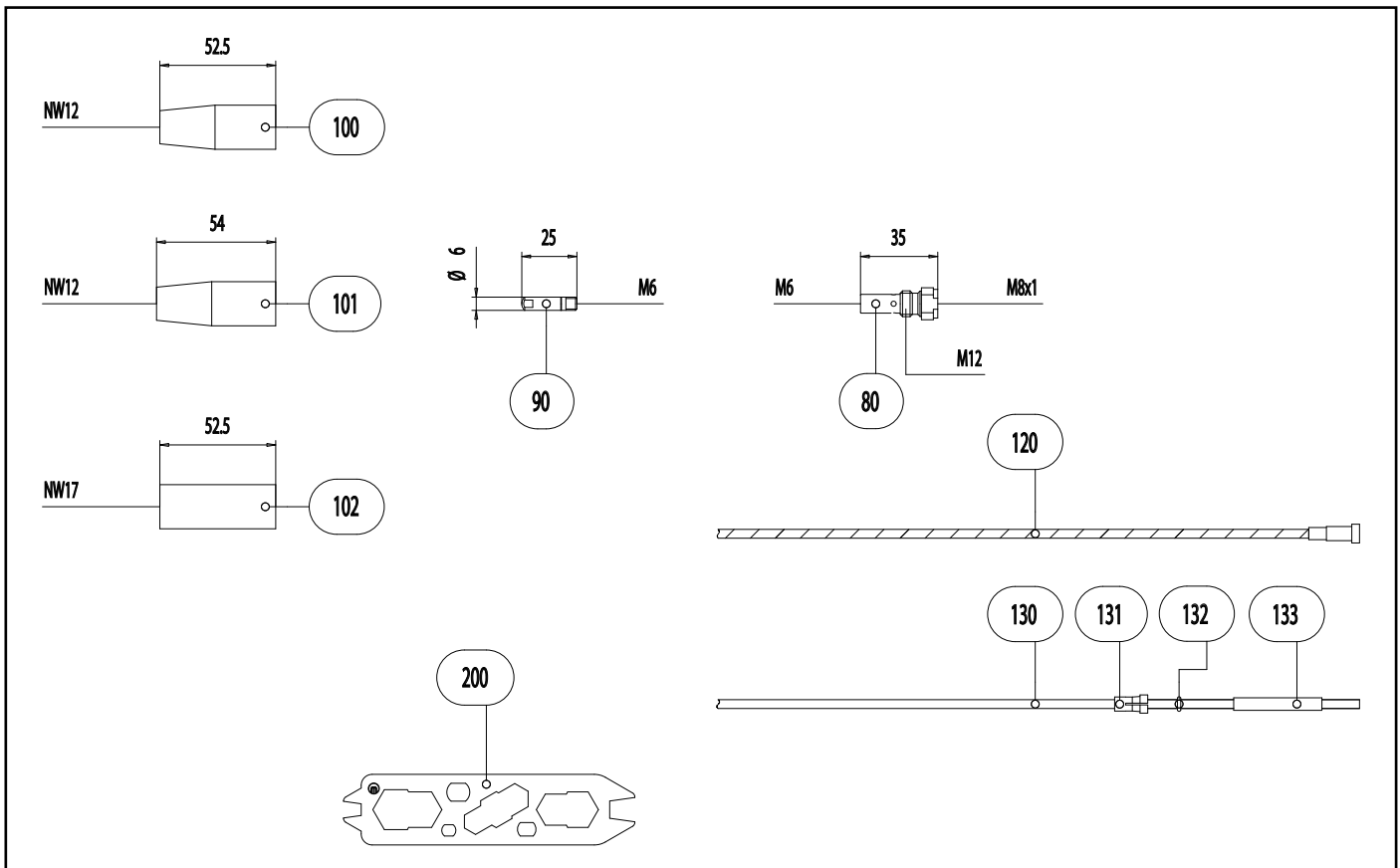
Pos.	Description	Units	Part-No.	Product-group
<b>Torch</b>				
	ABIMIG® GRIP A 155 LW; central adaptor KZ-2; 3.00 m		767.D600.1	1318
	ABIMIG® GRIP A 155 LW; central adaptor KZ-2; 4.00 m		767.D601.1	1318
	ABIMIG® GRIP A 155 LW; central adaptor KZ-2; 5.00 m		767.D602.1	1318
<b>Swan neck</b>				
1	Swan neck ABIMIG® GRIP A 155; 45° bent		767.D603.1	1306
4	Spacer	5 Pcs.	767.D607.5	1595
7.1	Torch body plastic GRIP		400.0044	1095
<b>Handle GRIP</b>				
11	Handle GRIP with trigger cpl.		180.0127	1095
11.1	Trigger 2-pole GRIP		185.0101	9010
<b>Cable assembly</b>				
40	Bikox® LW power cable, R4 for 3.00 m		160.H025.1	1511
40	Bikox® LW power cable, R4 for 4.00 m		160.H026.1	1511
40	Bikox® LW power cable, R4 for 5.00 m		160.H027.1	1511
40.1	Hexagon nut M10x1	10 Pcs.	001.0009	9010
44	Trigger wire connector	20 Pcs.	175.0022	9010
45	Insulating sleeve	20 Pcs.	400.0119	1095
46	Plug	20 Pcs.	175.0004	9010
54	Cable support ND 19		400.1010	1095
54.1	Ball joint cable support short for ABIMIG® GRIP A		400.1323.1	1095
56	Cable support machine side		501.2248	9010
57	Pan head screw M4x6	20 Pcs.	000.0552	9010
57.1	Screw cap 1	20 Pcs.	500.0251	9010
58	Adaptor nut M33x2		500.0213	9010
59	Central adaptor KZ-2		501.0003	1095

# MIG/MAG Welding Torches ABIMIG® GRIP A 155 LW



Pos.	Description	Units	Part-No.	Product-group
60	Coupling nut M10x1, plastic	5 Pcs.	501.D536.5	1595
61	O-Ring 4x1	20 Pcs.	165.0002	9010
62	Trigger wire connector; female	20 Pcs.	175.0003	9010
<b>Wear parts</b>				
80	Contact tip holder M12/M6/35 US	5 Pcs.	006.D719.5	1533
90	Contact tip M6 E-Cu; Ø 0.6 (6x25)	10 Pcs.	140.0008	1030
90	Contact tip M6 E-Cu; Ø 0.8 (6x25)	10 Pcs.	140.0059	1030
90	Contact tip M6 E-Cu; Ø 1.0 (6x25)	10 Pcs.	140.0253	1030
90	Contact tip M6 CuCrZr; Ø 0.6 (6x25)	10 Pcs.	140.0855	1031
90	Contact tip M6 CuCrZr; Ø 0.8 (6x25)	10 Pcs.	140.0062	1031
90	Contact tip M6 CuCrZr; Ø 1.0 (6x25)	10 Pcs.	140.0256	1031
90	Contact tip M6 E-Cu; Ø 0.8 for alu wire (6x25)	10 Pcs.	141.0002	1030
90	Contact tip M6 E-Cu; Ø 1.0 for alu wire (6x25)	10 Pcs.	141.0007	1030
90	Contact tip M6 CuCrZr silver-plated; Ø 0.8 (6x25)	10 Pcs.	147.0062	1031
90	Contact tip M6 CuCrZr silver-plated; Ø 1.0 (6x25)	10 Pcs.	147.0256	1031
100	Gas nozzle M12; ND 12; galvanized; conical L=52 mm	5 Pcs.	145.D001	1536
101	Gas nozzle M12; ND 12; galvanized; conical L=54 mm	5 Pcs.	145.D004	1536
102	Gas nozzle M12; ND 17; galvanized; cylindrical L=52 mm	5 Pcs.	145.D003	1536
120	Guide spiral liner insulated; 1.5/4.5; blue; for wire Ø 0.6-0.8; for 3.00 m		124.0011	1034
120	Guide spiral liner insulated; 1.5/4.5; blue; for wire Ø 0.6-0.8; for 4.00 m		124.0012	1034
120	Guide spiral liner insulated; 1.5/4.5; blue; for wire Ø 0.6-0.8; for 5.00 m		124.0015	1034
120	Guide spiral liner insulated; 2.0/4.5; red; for wire Ø 1.0-1.2; for 3.00 m		124.0026	1034
120	Guide spiral liner insulated; 2.0/4.5; red; for wire Ø 1.0-1.2; for 4.00 m		124.0031	1034
120	Guide spiral liner insulated; 2.0/4.5; red; for wire Ø 1.0-1.2; for 5.00 m		124.0035	1034
130	PTFE core liner 1.5/4.0; blue; wire electrode Ø 0.8-1.0; for 3.00 m		126.0005	1034
130	PTFE core liner 1.5/4.0; blue; wire electrode Ø 0.8-1.0; for 4.00 m		126.0008	1034

# MIG/MAG Welding Torches ABIMIG® GRIP A 155 LW

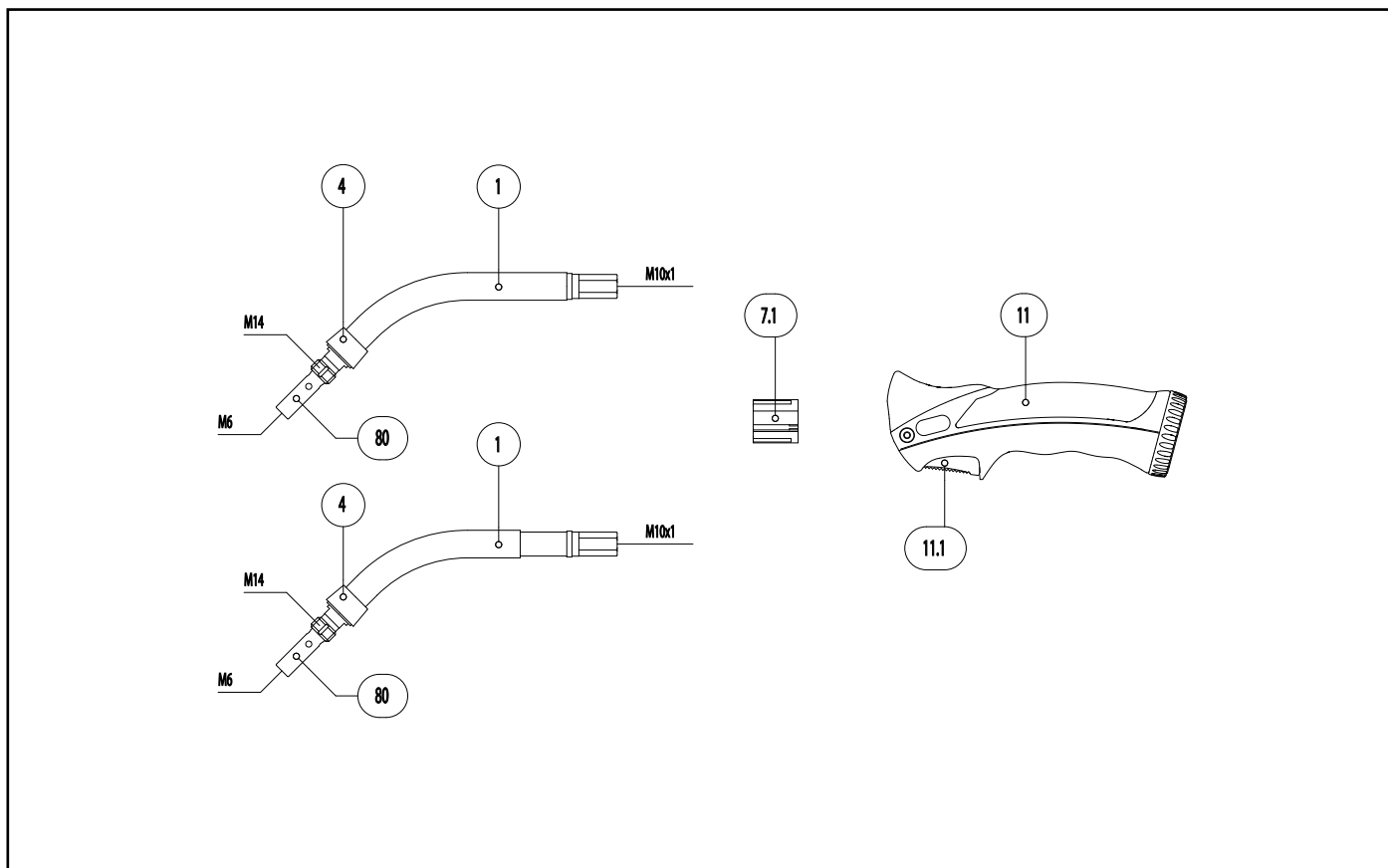


Pos.	Description	Units	Part-No.	Product-group
130	PTFE core liner 1.5/4.0; blue; wire electrode Ø 0.8-1.0; for 5.00 m		126.0011	1034
130	PTFE core liner 2.0/4.0; red; wire electrode Ø 1.0-1.2; for 3.00 m		126.0021	1034
130	PTFE core liner 2.0/4.0; red; wire electrode Ø 1.0-1.2; for 4.00 m		126.0026	1034
130	PTFE core liner 2.0/4.0; red; wire electrode Ø 1.0-1.2; for 5.00 m		126.0028	1034
130	PTFE carbon core liner 1.5/4.0; wire electrode Ø 0.8-1.0; for 3.00 m		127.0002	1034
130	PTFE carbon core liner 1.5/4.0; wire electrode Ø 0.8-1.0; for 4.00 m		127.0003	1034
130	PTFE carbon core liner 1.5/4.0; wire electrode Ø 0.8-1.0; for 5.00 m		127.0004	1034
130	PTFE carbon core liner 2.0/4.0; wire electrode Ø 1.0-1.2; for 3.00 m		127.0005	1034
130	PTFE carbon core liner 2.0/4.0; wire electrode Ø 1.0-1.2; for 4.00 m		127.0007	1034
130	PTFE carbon core liner 2.0/4.0; wire electrode Ø 1.0-1.2; for 5.00 m		127.0008	1034
131	Nipple for core liner at Ø 4.0	20 Pcs.	131.0001	1095
132	O-Ring 3.5x1.5	20 Pcs.	165.0008	9010
133	Guide tube for core liners up to Ø 4.0 (200 mm)	10 Pcs.	129.0461	1095
200	Spanner for ABIMIG®		191.D045	1595

# Notes

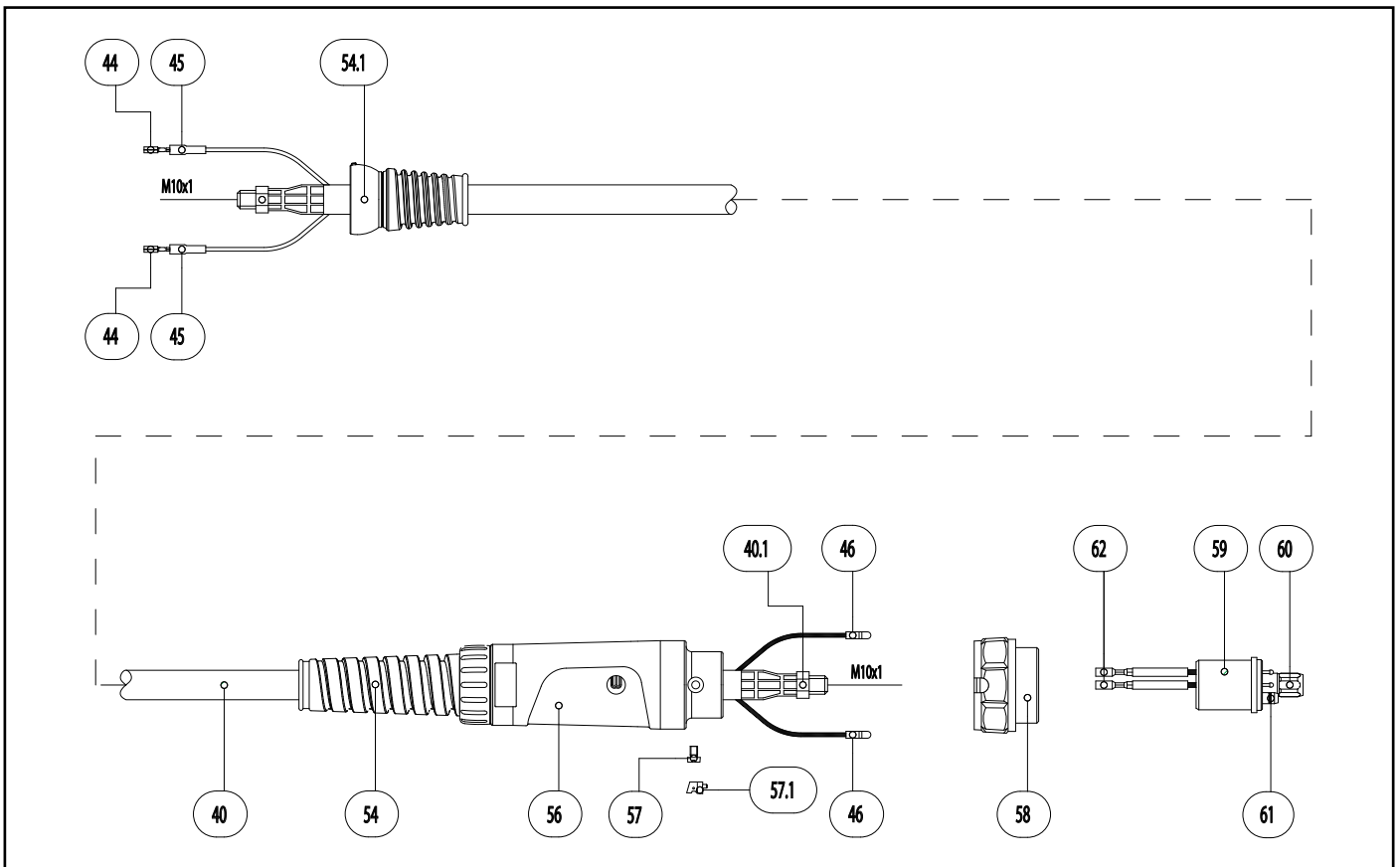


# MIG/MAG Welding Torches ABIMIG® GRIP A 255 LW



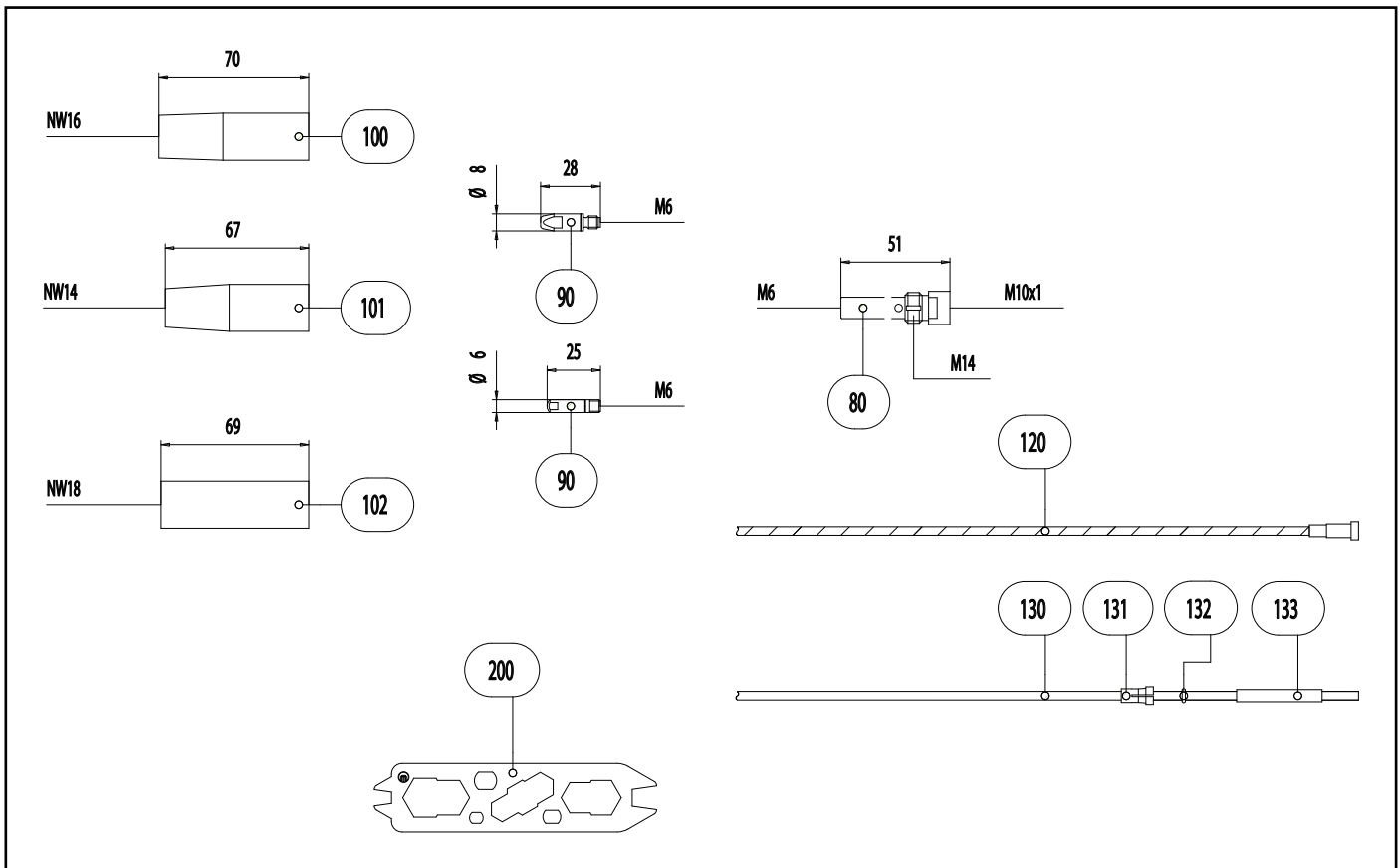
Pos.	Description	Units	Part-No.	Product-group
<b>Torch</b>				
	ABIMIG® GRIP A 255 LW; central adaptor KZ-2; 3.00 m		767.D630.1	1318
	ABIMIG® GRIP A 255 LW; central adaptor KZ-2; 4.00 m		767.D631.1	1318
	ABIMIG® GRIP A 255 LW; central adaptor KZ-2; 5.00 m		767.D632.1	1318
<b>Swan neck</b>				
1	Swan neck ABIMIG® GRIP A 255; 45° bent		767.D633.1	1306
4	Spacer	5 Pcs.	767.D637.5	1595
7.1	Torch body plastic GRIP		400.0044	1095
<b>Handle GRIP</b>				
11	Handle GRIP with trigger cpl.		180.0127	1095
11.1	Trigger 2-pole GRIP		185.0101	9010
<b>Cable assembly</b>				
40	Bikox® LW power cable, R5 for 3.00 m		160.H032.1	1511
40	Bikox® LW power cable, R5 for 4.00 m		160.H033.1	1511
40	Bikox® LW power cable, R5 for 5.00 m		160.H034.1	1511
40.1	Hexagon nut M10x1	10 Pcs.	001.0009	9010
44	Trigger wire connector	20 Pcs.	175.0022	9010
45	Insulating sleeve	20 Pcs.	400.0119	1095
46	Plug	20 Pcs.	175.0004	9010
54	Cable support ND 19		400.1010	1095
54.1	Ball joint cable support short for ABIMIG® GRIP A		400.1323.1	1095
56	Cable support machine side		501.2248	9010
57	Pan head screw M4x6	20 Pcs.	000.0552	9010
57.1	Screw cap 1	20 Pcs.	500.0251	9010
58	Adaptor nut M33x2		500.0213	9010
59	Central adaptor KZ-2		501.0003	1095

# MIG/MAG Welding Torches ABIMIG® GRIP A 255 LW



Pos.	Description	Units	Part-No.	Product-group
60	Coupling nut M10x1, plastic	5 Pcs.	501.D536.5	1595
61	O-Ring 4x1	20 Pcs.	165.0002	9010
62	Trigger wire connector; female	20 Pcs.	175.0003	9010
<b>Wear parts</b>				
80	Contact tip holder M14/M6/51 US	5 Pcs.	004.D624.5	1533
90	Contact tip M6 E-Cu; Ø 0.8 (8x28)	10 Pcs.	140.0051	1030
90	Contact tip M6 E-Cu; Ø 1.0 (8x28)	10 Pcs.	140.0242	1030
90	Contact tip M6 E-Cu; Ø 1.2 (8x28)	10 Pcs.	140.0379	1030
90	Contact tip M6 CuCrZr; Ø 0.8 (8x28)	10 Pcs.	140.0054	1031
90	Contact tip M6 CuCrZr; Ø 1.0 (8x28)	10 Pcs.	140.0245	1031
90	Contact tip M6 CuCrZr; Ø 1.2 (8x28)	10 Pcs.	140.0382	1031
90	Contact tip M6 E-Cu; Ø 0.8 for alu wire (8x28)	10 Pcs.	141.0001	1030
90	Contact tip M6 E-Cu; Ø 1.0 for alu wire (8x28)	10 Pcs.	141.0006	1030
90	Contact tip M6 E-Cu; Ø 1.2 for alu wire (8x28)	10 Pcs.	141.0010	1030
90	Contact tip M6 CuCrZr silver-plated; Ø 0.8 (8x28)	10 Pcs.	147.0054	1031
90	Contact tip M6 CuCrZr silver-plated; Ø 1.0 (8x28)	10 Pcs.	147.0245	1031
90	Contact tip M6 CuCrZr silver-plated; Ø 1.2 (8x28)	10 Pcs.	147.0382	1031
91	Contact tip M6 E-Cu; Ø 0.8 (6x25)	10 Pcs.	140.0059	1030
91	Contact tip M6 E-Cu; Ø 1.0 (6x25)	10 Pcs.	140.0253	1030
91	Contact tip M6 CuCrZr; Ø 0.8 (6x25)	10 Pcs.	140.0062	1031
91	Contact tip M6 CuCrZr; Ø 1.0 (6x25)	10 Pcs.	140.0256	1031
91	Contact tip M6 E-Cu; Ø 0.8 for alu wire (6x25)	10 Pcs.	141.0002	1030
91	Contact tip M6 E-Cu; Ø 1.0 for alu wire (6x25)	10 Pcs.	141.0007	1030
91	Contact tip M6 CuCrZr silver-plated; Ø 0.8 (6x25)	10 Pcs.	147.0062	1031
91	Contact tip M6 CuCrZr silver-plated; Ø 1.0 (6x25)	10 Pcs.	147.0256	1031
100	Gas nozzle M14; ND 16; galvanized	5 Pcs.	145.D011	1536

# MIG/MAG Welding Torches ABIMIG® GRIP A 255 LW



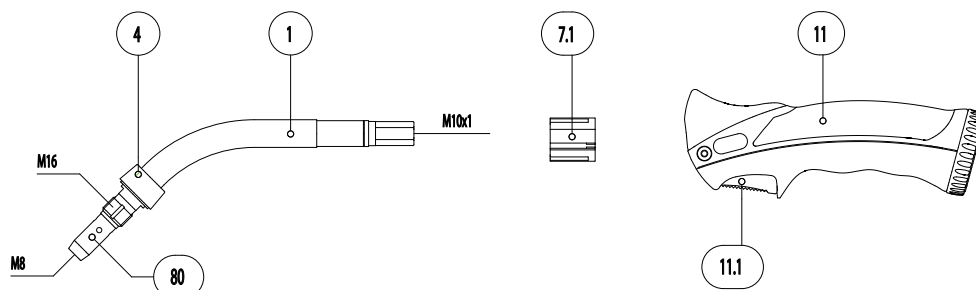
Pos.	Description	Units	Part-No.	Product-group
101	Gas nozzle M14; ND 14; galvanized; conical L=67 mm	5 Pcs.	145.D012	1536
102	Gas nozzle M14; ND 18 galvanized; cylindrical L=67 mm	5 Pcs.	145.D014	1536
120	Guide spiral liner insulated; 1.5/4.5; blue; for wire Ø 0.6-0.8; for 3.00 m		124.0011	1034
120	Guide spiral liner insulated; 1.5/4.5; blue; for wire Ø 0.6-0.8; for 4.00 m		124.0012	1034
120	Guide spiral liner insulated; 1.5/4.5; blue; for wire Ø 0.6-0.8; for 5.00 m		124.0015	1034
120	Guide spiral liner insulated; 2.0/4.5; red; for wire Ø 1.0-1.2; for 3.00 m		124.0026	1034
120	Guide spiral liner insulated; 2.0/4.5; red; for wire Ø 1.0-1.2; for 4.00 m		124.0031	1034
120	Guide spiral liner insulated; 2.0/4.5; red; for wire Ø 1.0-1.2; for 5.00 m		124.0035	1034
130	PTFE core liner 1.5/4.0; blue; wire electrode Ø 0.8-1.0; for 3.00 m		126.0005	1034
130	PTFE core liner 1.5/4.0; blue; wire electrode Ø 0.8-1.0; for 4.00 m		126.0008	1034
130	PTFE core liner 1.5/4.0; blue; wire electrode Ø 0.8-1.0; for 5.00 m		126.0011	1034
130	PTFE core liner 2.0/4.0; red; wire electrode Ø 1.0-1.2; for 3.00 m		126.0021	1034
130	PTFE core liner 2.0/4.0; red; wire electrode Ø 1.0-1.2; for 4.00 m		126.0026	1034
130	PTFE core liner 2.0/4.0; red; wire electrode Ø 1.0-1.2; for 5.00 m		126.0028	1034
130	PTFE carbon core liner 1.5/4.0; wire electrode Ø 0.8-1.0; for 3.00 m		127.0002	1034
130	PTFE carbon core liner 1.5/4.0; wire electrode Ø 0.8-1.0; for 4.00 m		127.0003	1034
130	PTFE carbon core liner 1.5/4.0; wire electrode Ø 0.8-1.0; for 5.00 m		127.0004	1034
130	PTFE carbon core liner 2.0/4.0; wire electrode Ø 1.0-1.2; for 3.00 m		127.0005	1034
130	PTFE carbon core liner 2.0/4.0; wire electrode Ø 1.0-1.2; for 4.00 m		127.0007	1034
130	PTFE carbon core liner 2.0/4.0; wire electrode Ø 1.0-1.2; for 5.00 m		127.0008	1034
131	Nipple for core liner at Ø 4.0	20 Pcs.	131.0001	1095
132	O-Ring 3.5x1.5	20 Pcs.	165.0008	9010
133	Guide tube for core liners up to Ø 4.0 (200 mm)	10 Pcs.	129.0461	1095
200	Spanner for ABIMIG®		191.D045	1595



# Notes

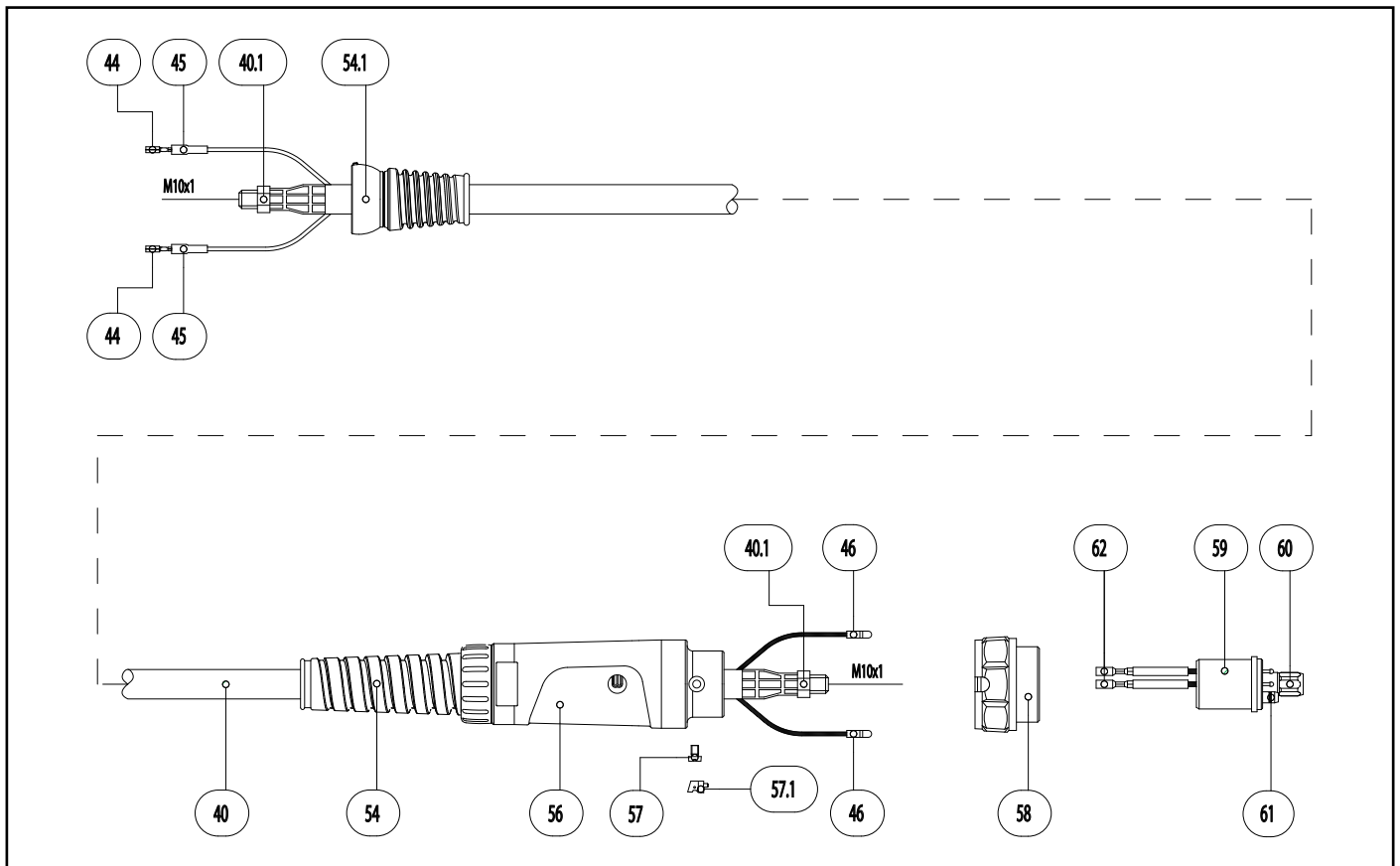


# MIG/MAG Welding Torches ABIMIG® GRIP A 305 LW



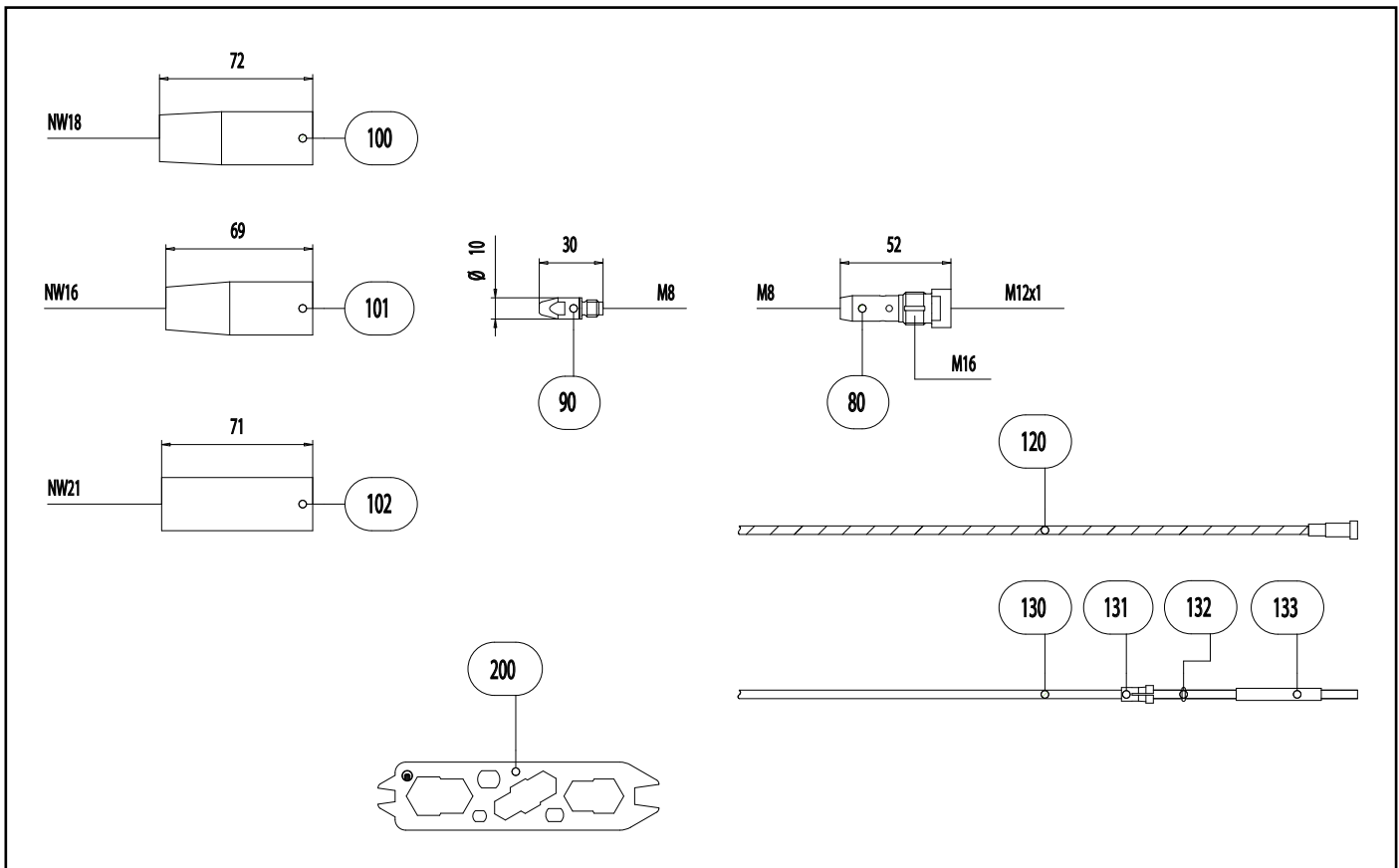
Pos.	Description	Units	Part-No.	Product-group
<b>Torch</b>				
	ABIMIG® GRIP A 305 LW; central adaptor KZ-2; 3.00 m		767.D660.1	1319
	ABIMIG® GRIP A 305 LW; central adaptor KZ-2; 4.00 m		767.D661.1	1319
	ABIMIG® GRIP A 305 LW; central adaptor KZ-2; 5.00 m		767.D662.1	1319
<b>Swan neck</b>				
1	Swan neck ABIMIG® GRIP A 305; 45° bent		767.D663.1	1308
4	Spacer	5 Pcs.	767.D668.5	1595
7.1	Torch body plastic GRIP		400.0044	1095
<b>Handle GRIP</b>				
11	Handle GRIP with trigger cpl.		180.0127	1095
11.1	Trigger 2-pole GRIP		185.0101	9010
<b>Cable assembly</b>				
40	Bikox® LW power cable, R6 for 3.00 m		160.H039.1	1511
40	Bikox® LW power cable, R6 for 4.00 m		160.H040.1	1511
40	Bikox® LW power cable, R6 for 5.00 m		160.H041.1	1511
40.1	Hexagon nut M10x1	10 Pcs.	001.0009	9010
44	Trigger wire connector	20 Pcs.	175.0022	9010
45	Insulating sleeve	20 Pcs.	400.0119	1095
46	Plug	20 Pcs.	175.0004	9010
54	Cable support ND 19		400.1010	1095
54.1	Ball joint cable support short for ABIMIG® GRIP A		400.1323.1	1095
56	Cable support machine side		501.2248	9010
57	Pan head screw M4x6	20 Pcs.	000.0552	9010
57.1	Screw cap 1	20 Pcs.	500.0251	9010
58	Adaptor nut M33x2		500.0213	9010
59	Central adaptor KZ-2		501.0003	1095

# MIG/MAG Welding Torches ABIMIG® GRIP A 305 LW



Pos.	Description	Units	Part-No.	Product-group
60	Coupling nut M10x1, plastic	5 Pcs.	501.D536.5	1595
61	O-Ring 4x1	20 Pcs.	165.0002	9010
62	Trigger wire connector; female	20 Pcs.	175.0003	9010
<b>Wear parts</b>				
80	Contact tip holder M16/M8/52 US	5 Pcs.	014.D745.5	1533
90	Contact tip M8 E-Cu; Ø 0.8 (10x30)	10 Pcs.	140.0114	1030
90	Contact tip M8 E-Cu; Ø 1.0 (10x30)	10 Pcs.	140.0313	1030
90	Contact tip M8 E-Cu; Ø 1.2 (10x30)	10 Pcs.	140.0442	1030
90	Contact tip M8 E-Cu; Ø 1.4 (10x30)	10 Pcs.	140.0533	1030
90	Contact tip M8 E-Cu; Ø 1.6 (10x30)	10 Pcs.	140.0587	1030
90	Contact tip M8 CuCrZr; Ø 0.8 (10x30)	10 Pcs.	140.0117	1031
90	Contact tip M8 CuCrZr; Ø 1.0 (10x30)	10 Pcs.	140.0316	1031
90	Contact tip M8 CuCrZr; Ø 1.2 (10x30)	10 Pcs.	140.0445	1031
90	Contact tip M8 CuCrZr; Ø 1.4 (10x30)	10 Pcs.	140.0536	1031
90	Contact tip M8 CuCrZr; Ø 1.6 (10x30)	10 Pcs.	140.0590	1031
90	Contact tip M8 E-Cu; Ø 0.8 for alu wire (10x30)	10 Pcs.	141.0003	1030
90	Contact tip M8 E-Cu; Ø 1.0 for alu wire (10x30)	10 Pcs.	141.0008	1030
90	Contact tip M8 E-Cu; Ø 1.2 for alu wire (10x30)	10 Pcs.	141.0015	1030
90	Contact tip M8 E-Cu; Ø 1.4 for alu wire (10x30)	10 Pcs.	141.0055	1030
90	Contact tip M8 E-Cu; Ø 1.6 for alu wire (10x30)	10 Pcs.	141.0022	1030
90	Contact tip M8 CuCrZr silver-plated; Ø 0.8 (10x30)	10 Pcs.	147.0117	1031
90	Contact tip M8 CuCrZr silver-plated; Ø 1.0 (10x30)	10 Pcs.	147.0316	1031
90	Contact tip M8 CuCrZr silver-plated; Ø 1.2 (10x30)	10 Pcs.	147.0445	1031
90	Contact tip M8 CuCrZr silver-plated; Ø 1.4 (10x30)	10 Pcs.	147.0536	1031
90	Contact tip M8 CuCrZr silver-plated; Ø 1.6 (10x30)	10 Pcs.	147.0590	1031
100	Gas nozzle M16; ND 18; galvanized; conical L=72 mm	5 Pcs.	145.D021	1537

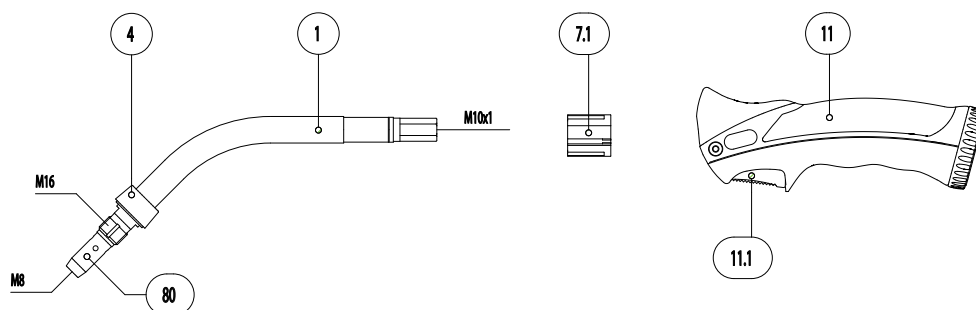
# MIG/MAG Welding Torches ABIMIG® GRIP A 305 LW



Pos.	Description	Units	Part-No.	Product-group
101	Gas nozzle M16; ND 16 galvanized; conical L=69 mm	5 Pcs.	145.D022	1537
102	Gas nozzle M16; ND 21 galvanized; cylindrical	5 Pcs.	145.D024	1537
120	Guide spiral liner insulated; 1.5/4.5; blue; for wire Ø 0.6-0.8; for 3.00 m		124.0011	1034
120	Guide spiral liner insulated; 1.5/4.5; blue; for wire Ø 0.6-0.8; for 4.00 m		124.0012	1034
120	Guide spiral liner insulated; 1.5/4.5; blue; for wire Ø 0.6-0.8; for 5.00 m		124.0015	1034
120	Guide spiral liner insulated; 2.0/4.5; red; for wire Ø 1.0-1.2; for 3.00 m		124.0026	1034
120	Guide spiral liner insulated; 2.0/4.5; red; for wire Ø 1.0-1.2; for 4.00 m		124.0031	1034
120	Guide spiral liner insulated; 2.0/4.5; red; for wire Ø 1.0-1.2; for 5.00 m		124.0035	1034
120	Guide spiral liner insulated; 2.5/4.5; yellow; for wire Ø 1.4-1.6; for 3.00 m		124.0041	1034
120	Guide spiral liner insulated; 2.5/4.5; yellow; for wire Ø 1.4-1.6; for 4.00 m		124.0042	1034
120	Guide spiral liner insulated; 2.5/4.5; yellow; for wire Ø 1.4-1.6; for 5.00 m		124.0044	1034
130	PTFE core liner 1.5/4.0; blue; wire electrode Ø 0.8-1.0; for 3.00 m		126.0005	1034
130	PTFE core liner 1.5/4.0; blue; wire electrode Ø 0.8-1.0; for 4.00 m		126.0008	1034
130	PTFE core liner 1.5/4.0; blue; wire electrode Ø 0.8-1.0; for 5.00 m		126.0011	1034
130	PTFE core liner 2.0/4.0; red; wire electrode Ø 1.0-1.2; for 3.00 m		126.0021	1034
130	PTFE core liner 2.0/4.0; red; wire electrode Ø 1.0-1.2; for 4.00 m		126.0026	1034
130	PTFE core liner 2.0/4.0; red; wire electrode Ø 1.0-1.2; for 5.00 m		126.0028	1034
130	PTFE core liner 2.7/4.7; yellow; wire electrode Ø 1.6; for 3.00 m		126.0039	1034
130	PTFE core liner 2.7/4.7; yellow; wire electrode Ø 1.6; for 4.00 m		126.0042	1034
130	PTFE core liner 2.7/4.7; yellow; wire electrode Ø 1.6; for 5.00 m		126.0045	1034
130	PTFE carbon core liner 1.5/4.0; wire electrode Ø 0.8-1.0; for 3.00 m		127.0002	1034
130	PTFE carbon core liner 1.5/4.0; wire electrode Ø 0.8-1.0; for 4.00 m		127.0003	1034
130	PTFE carbon core liner 1.5/4.0; wire electrode Ø 0.8-1.0; for 5.00 m		127.0004	1034
130	PTFE carbon core liner 2.0/4.0; wire electrode Ø 1.0-1.2; for 3.00 m		127.0005	1034
130	PTFE carbon core liner 2.0/4.0; wire electrode Ø 1.0-1.2; for 4.00 m		127.0007	1034
130	PTFE carbon core liner 2.0/4.0; wire electrode Ø 1.0-1.2; for 5.00 m		127.0008	1034

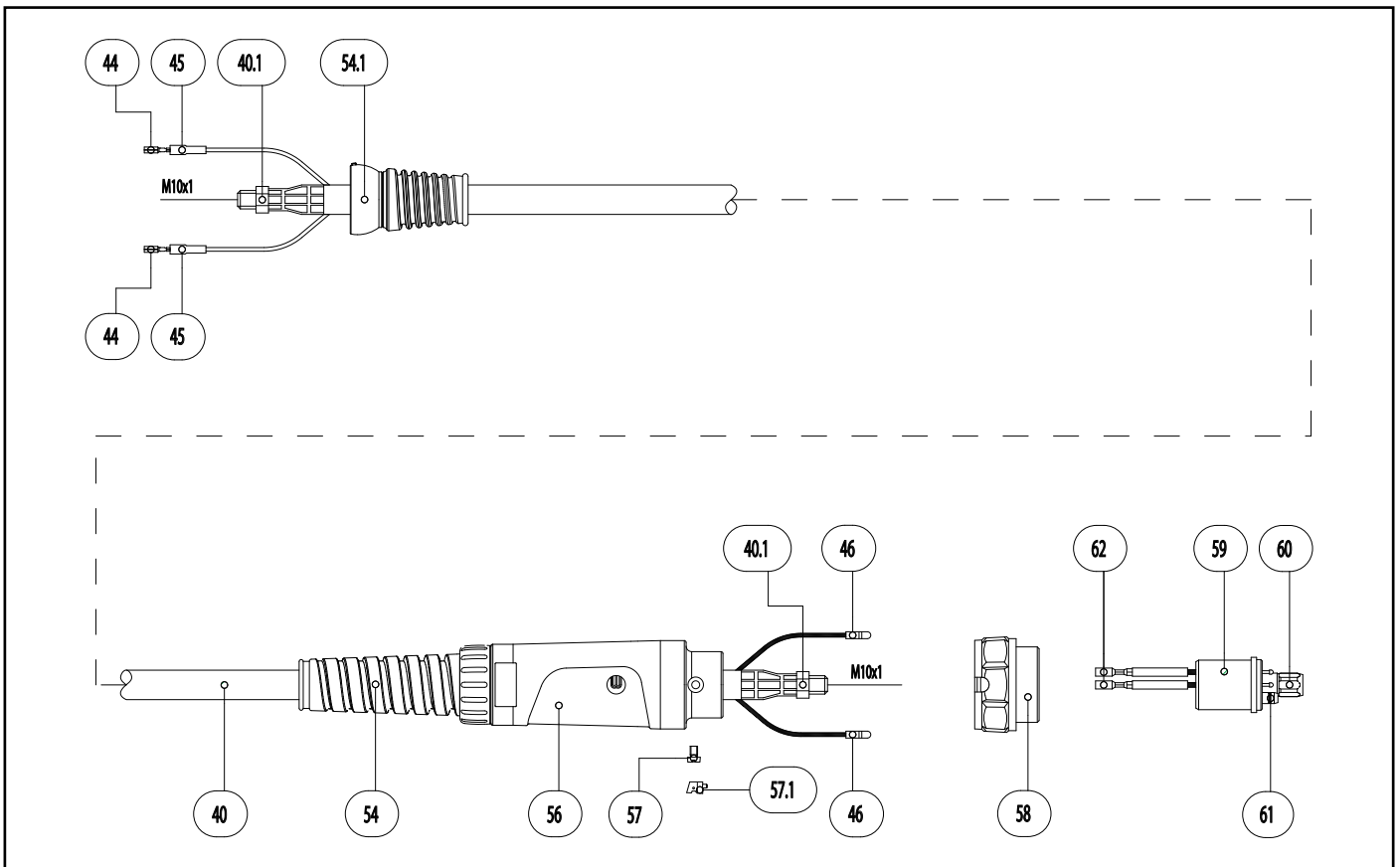


# MIG/MAG Welding Torches ABIMIG® GRIP A 355 LW



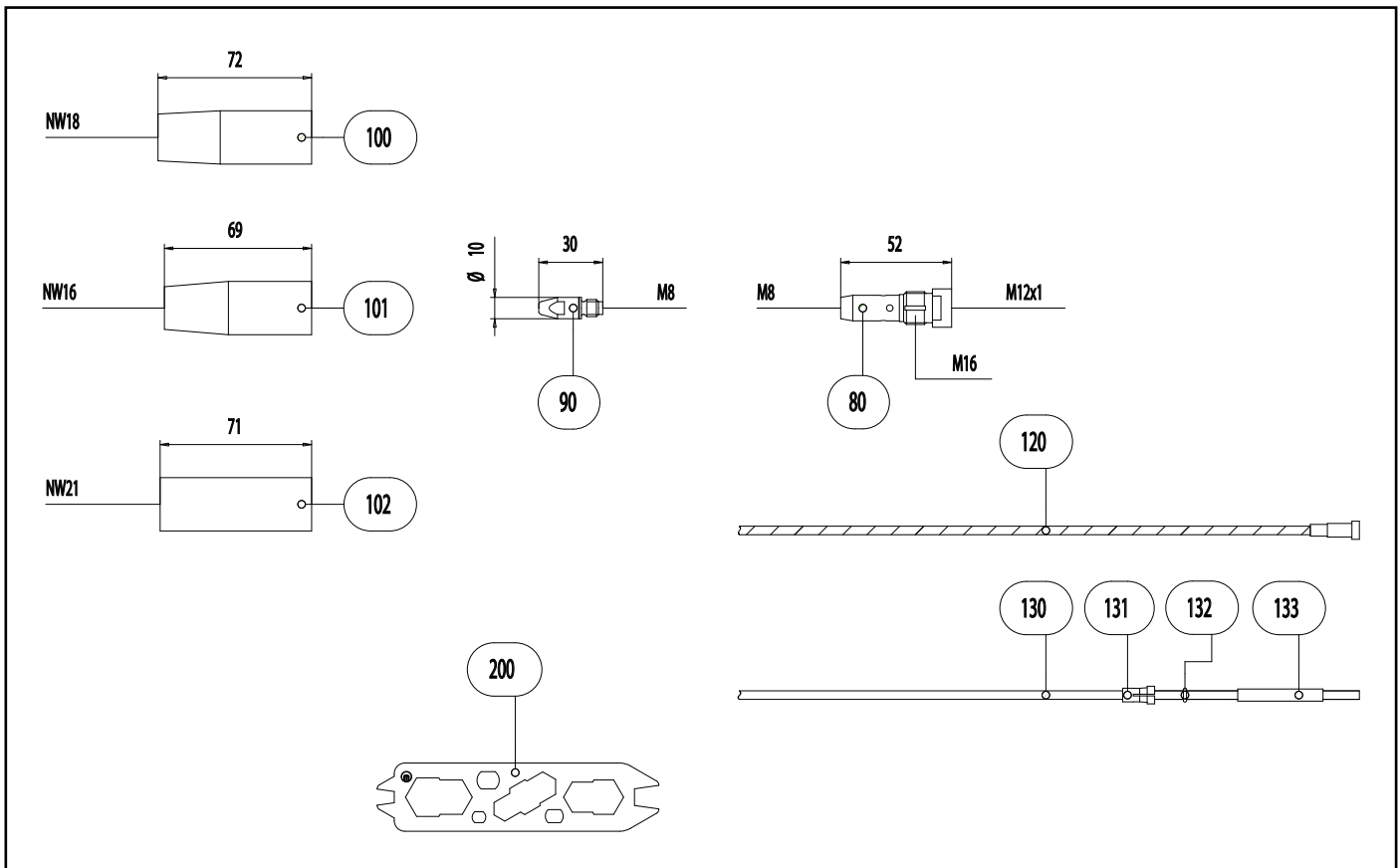
Pos.	Description	Units	Part-No.	Product-group
<b>Torch</b>				
	ABIMIG® GRIP A 355 LW; central adaptor KZ-2; 3.00 m		767.D690.1	1319
	ABIMIG® GRIP A 355 LW; central adaptor KZ-2; 4.00 m		767.D691.1	1319
	ABIMIG® GRIP A 355 LW; central adaptor KZ-2; 5.00 m		767.D692.1	1319
<b>Swan neck</b>				
1	Swan neck ABIMIG® GRIP A 355; 45° bent		767.D693.1	1308
4	Spacer	5 Pcs.	767.D668.5	1595
7.1	Torch body plastic GRIP		400.0044	1095
<b>Handle GRIP</b>				
11	Handle GRIP with trigger cpl.		180.0127	1095
11.1	Trigger 2-pole GRIP		185.0101	9010
<b>Cable assembly</b>				
40	Bikox® LW power cable, R7 for 3.00 m		160.H046.1	1511
40	Bikox® LW power cable, R7 for 4.00 m		160.H047.1	1511
40	Bikox® LW power cable, R7 for 5.00 m		160.H048.1	1511
40.1	Hexagon nut M10x1	10 Pcs.	001.0009	9010
44	Trigger wire connector	20 Pcs.	175.0022	9010
45	Insulating sleeve	20 Pcs.	400.0119	1095
46	Plug	20 Pcs.	175.0004	9010
54	Cable support ND 19		400.1010	1095
54.1	Ball joint cable support short for ABIMIG® GRIP A		400.1323.1	1095
56	Cable support machine side		501.2248	9010
57	Pan head screw M4x6	20 Pcs.	000.0552	9010
57.1	Screw cap 1	20 Pcs.	500.0251	9010
58	Adaptor nut M33x2		500.0213	9010
59	Central adaptor KZ-2		501.0003	1095

# MIG/MAG Welding Torches ABIMIG® GRIP A 355 LW



Pos.	Description	Units	Part-No.	Product-group
60	Coupling nut M10x1, plastic	5 Pcs.	501.D536.5	1595
61	O-Ring 4x1	20 Pcs.	165.0002	9010
62	Trigger wire connector; female	20 Pcs.	175.0003	9010
<b>Wear parts</b>				
80	Contact tip holder M16/M8/52 US	5 Pcs.	014.D745.5	1533
90	Contact tip M8 E-Cu; Ø 0.8 (10x30)	10 Pcs.	140.0114	1030
90	Contact tip M8 E-Cu; Ø 1.0 (10x30)	10 Pcs.	140.0313	1030
90	Contact tip M8 E-Cu; Ø 1.2 (10x30)	10 Pcs.	140.0442	1030
90	Contact tip M8 E-Cu; Ø 1.4 (10x30)	10 Pcs.	140.0533	1030
90	Contact tip M8 E-Cu; Ø 1.6 (10x30)	10 Pcs.	140.0587	1030
90	Contact tip M8 CuCrZr; Ø 0.8 (10x30)	10 Pcs.	140.0117	1031
90	Contact tip M8 CuCrZr; Ø 1.0 (10x30)	10 Pcs.	140.0316	1031
90	Contact tip M8 CuCrZr; Ø 1.2 (10x30)	10 Pcs.	140.0445	1031
90	Contact tip M8 CuCrZr; Ø 1.4 (10x30)	10 Pcs.	140.0536	1031
90	Contact tip M8 CuCrZr; Ø 1.6 (10x30)	10 Pcs.	140.0590	1031
90	Contact tip M8 E-Cu; Ø 0.8 for alu wire (10x30)	10 Pcs.	141.0003	1030
90	Contact tip M8 E-Cu; Ø 1.0 for alu wire (10x30)	10 Pcs.	141.0008	1030
90	Contact tip M8 E-Cu; Ø 1.2 for alu wire (10x30)	10 Pcs.	141.0015	1030
90	Contact tip M8 E-Cu; Ø 1.4 for alu wire (10x30)	10 Pcs.	141.0055	1030
90	Contact tip M8 E-Cu; Ø 1.6 for alu wire (10x30)	10 Pcs.	141.0022	1030
90	Contact tip M8 CuCrZr silver-plated; Ø 0.8 (10x30)	10 Pcs.	147.0117	1031
90	Contact tip M8 CuCrZr silver-plated; Ø 1.0 (10x30)	10 Pcs.	147.0316	1031
90	Contact tip M8 CuCrZr silver-plated; Ø 1.2 (10x30)	10 Pcs.	147.0445	1031
90	Contact tip M8 CuCrZr silver-plated; Ø 1.4 (10x30)	10 Pcs.	147.0536	1031
90	Contact tip M8 CuCrZr silver-plated; Ø 1.6 (10x30)	10 Pcs.	147.0590	1031
100	Gas nozzle M16; ND 18; galvanized; conical L=72 mm	5 Pcs.	145.D021	1537

# MIG/MAG Welding Torches ABIMIG® GRIP A 355 LW



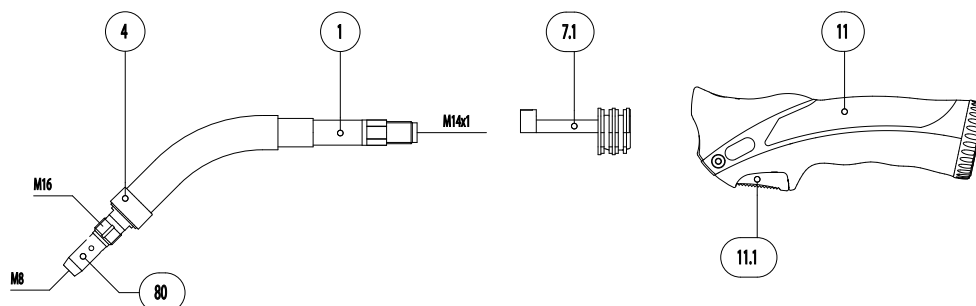
Pos.	Description	Units	Part-No.	Product-group
101	Gas nozzle M16; ND 16 galvanized; conical L=69 mm	5 Pcs.	145.D022	1537
102	Gas nozzle M16; ND 21 galvanized; cylindrical	5 Pcs.	145.D024	1537
120	Guide spiral liner insulated; 1.5/4.5; blue; for wire Ø 0.6-0.8; for 3.00 m		124.0011	1034
120	Guide spiral liner insulated; 1.5/4.5; blue; for wire Ø 0.6-0.8; for 4.00 m		124.0012	1034
120	Guide spiral liner insulated; 1.5/4.5; blue; for wire Ø 0.6-0.8; for 5.00 m		124.0015	1034
120	Guide spiral liner insulated; 2.0/4.5; red; for wire Ø 1.0-1.2; for 3.00 m		124.0026	1034
120	Guide spiral liner insulated; 2.0/4.5; red; for wire Ø 1.0-1.2; for 4.00 m		124.0031	1034
120	Guide spiral liner insulated; 2.0/4.5; red; for wire Ø 1.0-1.2; for 5.00 m		124.0035	1034
120	Guide spiral liner insulated; 2.5/4.5; yellow; for wire Ø 1.4-1.6; for 3.00 m		124.0041	1034
120	Guide spiral liner insulated; 2.5/4.5; yellow; for wire Ø 1.4-1.6; for 4.00 m		124.0042	1034
120	Guide spiral liner insulated; 2.5/4.5; yellow; for wire Ø 1.4-1.6; for 5.00 m		124.0044	1034
130	PTFE core liner 1.5/4.0; blue; wire electrode Ø 0.8-1.0; for 3.00 m		126.0005	1034
130	PTFE core liner 1.5/4.0; blue; wire electrode Ø 0.8-1.0; for 4.00 m		126.0008	1034
130	PTFE core liner 1.5/4.0; blue; wire electrode Ø 0.8-1.0; for 5.00 m		126.0011	1034
130	PTFE core liner 2.0/4.0; red; wire electrode Ø 1.0-1.2; for 3.00 m		126.0021	1034
130	PTFE core liner 2.0/4.0; red; wire electrode Ø 1.0-1.2; for 4.00 m		126.0026	1034
130	PTFE core liner 2.0/4.0; red; wire electrode Ø 1.0-1.2; for 5.00 m		126.0028	1034
130	PTFE core liner 2.7/4.7; yellow; wire electrode Ø 1.6; for 3.00 m		126.0039	1034
130	PTFE core liner 2.7/4.7; yellow; wire electrode Ø 1.6; for 4.00 m		126.0042	1034
130	PTFE core liner 2.7/4.7; yellow; wire electrode Ø 1.6; for 5.00 m		126.0045	1034
130	PTFE carbon core liner 1.5/4.0; wire electrode Ø 0.8-1.0; for 3.00 m		127.0002	1034
130	PTFE carbon core liner 1.5/4.0; wire electrode Ø 0.8-1.0; for 4.00 m		127.0003	1034
130	PTFE carbon core liner 1.5/4.0; wire electrode Ø 0.8-1.0; for 5.00 m		127.0004	1034
130	PTFE carbon core liner 2.0/4.0; wire electrode Ø 1.0-1.2; for 3.00 m		127.0005	1034
130	PTFE carbon core liner 2.0/4.0; wire electrode Ø 1.0-1.2; for 4.00 m		127.0007	1034
130	PTFE carbon core liner 2.0/4.0; wire electrode Ø 1.0-1.2; for 5.00 m		127.0008	1034



# MIG/MAG Welding Torches ABIMIG® GRIP A 355 LW

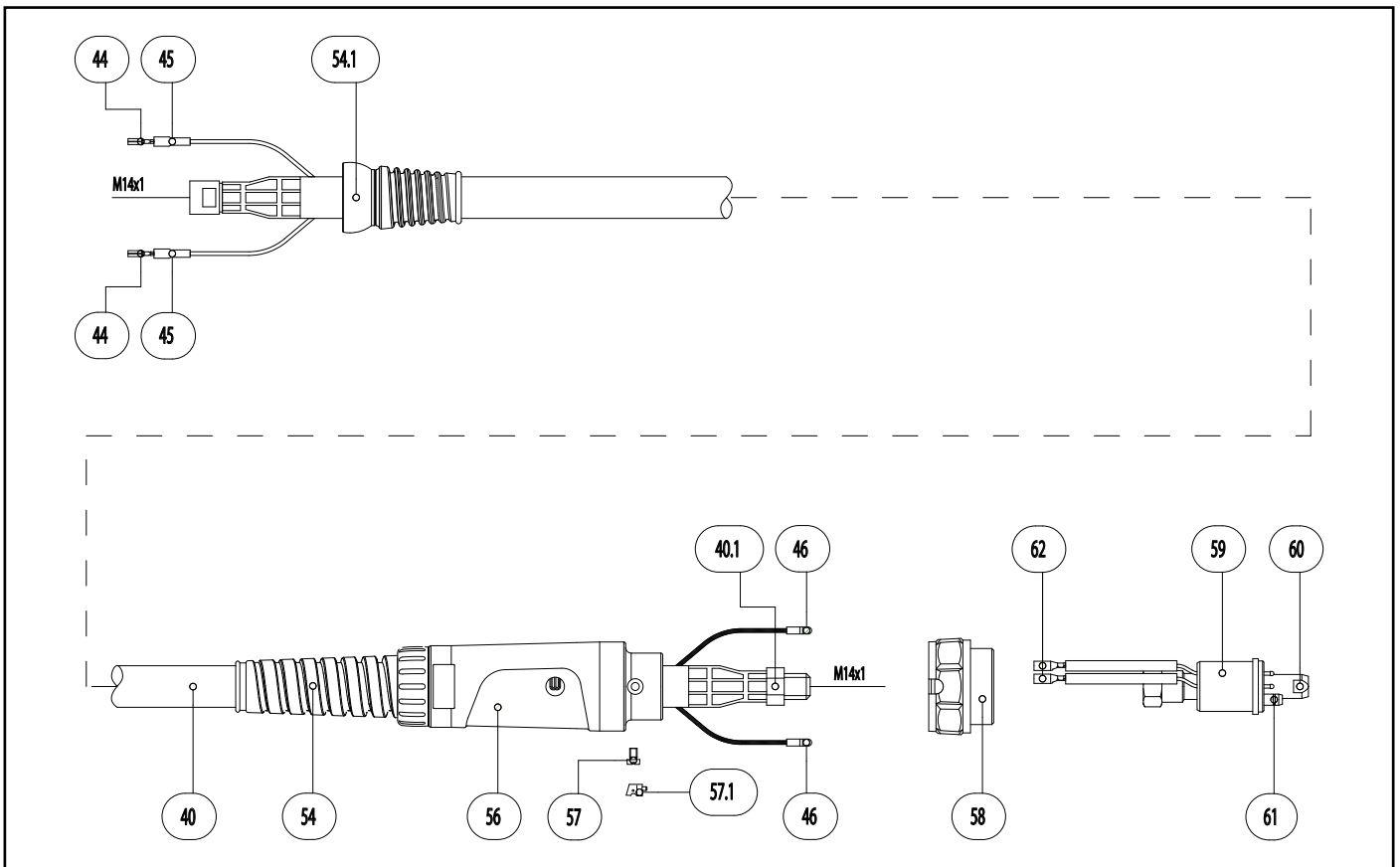
Pos.	Description	Units	Part-No.	Product-group
130	PTFE carbon core liner 2.7/4.7; wire electrode Ø 1.6; for 3.00 m		127.0010	1034
130	PTFE carbon core liner 2.7/4.7; wire electrode Ø 1.6; for 4.00 m		127.0012	1034
130	PTFE carbon core liner 2.7/4.7; wire electrode Ø 1.6; for 5.00 m		127.0013	1034
131	Nipple for core liner at Ø 4.0	20 Pcs.	131.0001	1095
132	O-Ring 3.5x1.5	20 Pcs.	165.0008	9010
133	Guide tube for core liners up to Ø 4.0 (200 mm)	10 Pcs.	129.0461	1095
200	Spanner for ABIMIG®		191.D045	1595

# MIG/MAG Welding Torches ABIMIG® GRIP A 405 LW



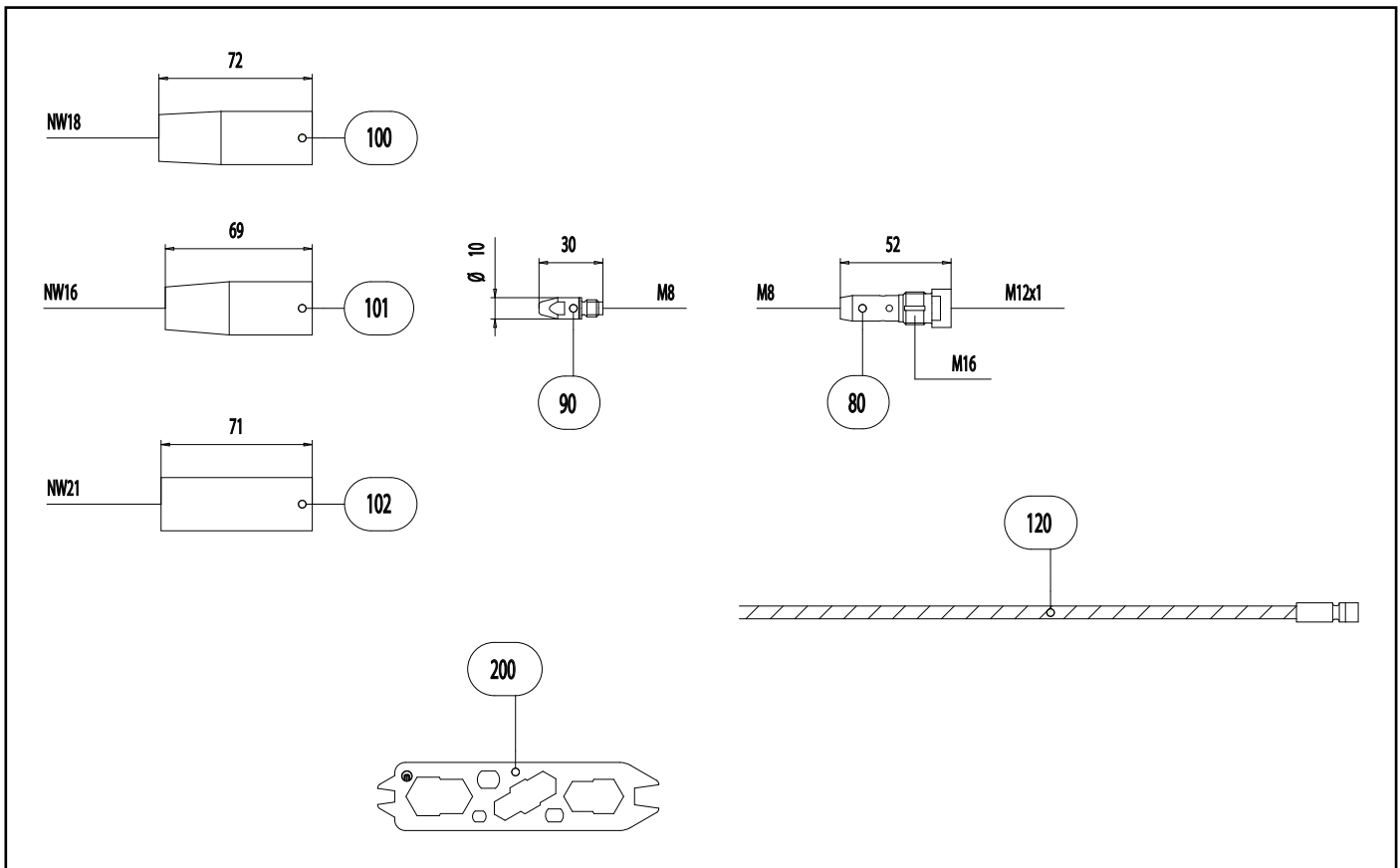
Pos.	Description	Units	Part-No.	Product-group
<b>Torch</b>				
	ABIMIG® GRIP A 405 LW; type S; central adaptor KZ-2; 3.00 m		767.D720.1	1319
	ABIMIG® GRIP A 405 LW; type S; central adaptor KZ-2; 4.00 m		767.D721.1	1319
	ABIMIG® GRIP A 405 LW; type S; central adaptor KZ-2; 5.00 m		767.D722.1	1319
<b>Swan neck</b>				
1	Swan neck ABIMIG® GRIP A 405; 45° bent		767.D723.1	1308
4	Spacer	5 Pcs.	767.D729.5	1595
7.1	Torch body		400.1333.1	1095
<b>Handle GRIP</b>				
11	Handle GRIP type S with trigger cpl.		180.0132.1	1395
11.1	Trigger 2-pole GRIP	5 Pcs.	185.0107.5	1395
<b>Cable assembly</b>				
40	Bikox® LW power cable, R9 for 3.00 m		160.H053.1	1511
40	Bikox® LW power cable, R9 for 4.00 m		160.H054.1	1511
40	Bikox® LW power cable, R9 for 5.00 m		160.H055.1	1511
40.1	Nut M14x1	10 Pcs.	500.0085	9010
44	Trigger wire connector	20 Pcs.	175.0022	9010
45	Insulating sleeve	20 Pcs.	400.0119	1095
46	Plug	20 Pcs.	175.0004	9010
54	Cable support ND 21		400.1011	1095
54.1	Ball joint cable support short for ABIMIG® GRIP A		400.1323.1	1095
56	Cable support machine side		501.2248	9010
57	Pan head screw M4x6	20 Pcs.	000.0552	9010
57.1	Screw cap 1	20 Pcs.	500.0251	9010
58	Adaptor nut M33x2		500.0213	9010
59	Central adaptor RM 50 cpl.		501.D342	1595

# MIG/MAG Welding Torches ABIMIG® GRIP A 405 LW



Pos.	Description	Units	Part-No.	Product-group
60	Coupling nut M14x1, plastic	5 Pcs.	501.D537.5	1595
61	O-Ring 4x1	20 Pcs.	165.0002	9010
62	Trigger wire connector; female	20 Pcs.	175.0003	9010
<b>Wear parts</b>				
80	Contact tip holder M16/M8/52 US	5 Pcs.	014.D745.5	1533
90	Contact tip M8 E-Cu; Ø 1.0 (10x30)	10 Pcs.	140.0313	1030
90	Contact tip M8 E-Cu; Ø 1.2 (10x30)	10 Pcs.	140.0442	1030
90	Contact tip M8 E-Cu; Ø 1.4 (10x30)	10 Pcs.	140.0533	1030
90	Contact tip M8 E-Cu; Ø 1.6 (10x30)	10 Pcs.	140.0587	1030
90	Contact tip M8 E-Cu; Ø 2.0 (10x30)	10 Pcs.	140.0653	1030
90	Contact tip M8 CuCrZr; Ø 1.0 (10x30)	10 Pcs.	140.0316	1031
90	Contact tip M8 CuCrZr; Ø 1.2 (10x30)	10 Pcs.	140.0445	1031
90	Contact tip M8 CuCrZr; Ø 1.4 (10x30)	10 Pcs.	140.0536	1031
90	Contact tip M8 CuCrZr; Ø 1.6 (10x30)	10 Pcs.	140.0590	1031
90	Contact tip M8 CuCrZr; Ø 2.0 (10x30)	10 Pcs.	140.0656	1031
90	Contact tip M8 E-Cu; Ø 1.0 for alu wire (10x30)	10 Pcs.	141.0008	1030
90	Contact tip M8 E-Cu; Ø 1.2 for alu wire (10x30)	10 Pcs.	141.0015	1030
90	Contact tip M8 E-Cu; Ø 1.4 for alu wire (10x30)	10 Pcs.	141.0055	1030
90	Contact tip M8 E-Cu; Ø 1.6 for alu wire (10x30)	10 Pcs.	141.0022	1030
90	Contact tip M8 E-Cu; Ø 2.0 for alu wire (10x30)	10 Pcs.	141.0033	1030
90	Contact tip M8 CuCrZr silver-plated; Ø 1.0 (10x30)	10 Pcs.	147.0316	1031
90	Contact tip M8 CuCrZr silver-plated; Ø 1.2 (10x30)	10 Pcs.	147.0445	1031
90	Contact tip M8 CuCrZr silver-plated; Ø 1.4 (10x30)	10 Pcs.	147.0536	1031
90	Contact tip M8 CuCrZr silver-plated; Ø 1.6 (10x30)	10 Pcs.	147.0590	1031
100	Gas nozzle M16; ND 18; galvanized; conical L=72 mm	5 Pcs.	145.D021	1537
101	Gas nozzle M16; ND 16 galvanized; conical L=69 mm	5 Pcs.	145.D022	1537

# MIG/MAG Welding Torches ABIMIG® GRIP A 405 LW



Pos.	Description	Units	Part-No.	Product-group
102	Gas nozzle M16; ND 21 galvanized; cylindrical	5 Pcs.	145.D024	1537
103	Gas nozzle (slip-on) D15; ND 16 galvanized	5 Pcs.	145.D378.5	1537
120	Guide spiral liner insulated; 1.9/5.5; red; for wire Ø 1.0-1.2; for 3.00 m		124.D113	1534
120	Guide spiral liner insulated; 1.9/5.5; red; for wire Ø 1.0-1.2; for 4.00 m		124.D114	1534
120	Guide spiral liner insulated; 1.9/5.5; red; for wire Ø 1.0-1.2; for 5.00 m		124.D115	1534
120	Guide spiral liner insulated; 2.2/6.0; white; for wire Ø 1.4-1.6; for 3.00 m		124.D116	1534
120	Guide spiral liner insulated; 2.2/6.0; white; for wire Ø 1.4-1.6; for 4.00 m		124.D117	1534
120	Guide spiral liner insulated; 2.2/6.0; white; for wire Ø 1.4-1.6; for 5.00 m		124.D118	1534
120	Guide spiral liner insulated; 3.0/6.4; blue; for wire Ø 2.0-2.4; for 3.00 m		124.D119	1534
120	Guide spiral liner insulated; 3.0/6.4; blue; for wire Ø 2.0-2.4; for 4.00 m		124.D120	1534
120	Guide spiral liner insulated; 3.0/6.4; blue; for wire Ø 2.0-2.4; for 5.00 m		124.D121	1534
200	Spanner for ABIMIG®		191.D045	1595



## MIG/MAG Welding Torches **ABIMIG® A T LW** air cooled

**“Super lightweight torches with turnable and changeable torch neck”**

The super lightweight MIG/MAG welding torch series “ABIMIG® A T LW” with ergonomic and universal two-component handle offer flexibility in perfection. They are equipped standard with ball joint, lightweight “Bikox® LW” cable assembly and exchangeable and 360° rotatable torch neck, so the torches enable ergonomic and relaxed welding in every position.

- Super lightweight “Bikox® LW” cable assembly – reduction of the torch weight up to 50 %
- Ergonomic handle, optionally available with Up/Down module – Improved working comfort
- Universal contact tip holder (contact tip holder, gas diff user and gas nozzle holder all in one) – reduction of the number of spare parts and thus the costs
- Screwable, thermally insulated gas nozzle – longer service life of the torch and cost reduction
- Turnable, quick-change torch neck – increased working comfort and reduction of service costs

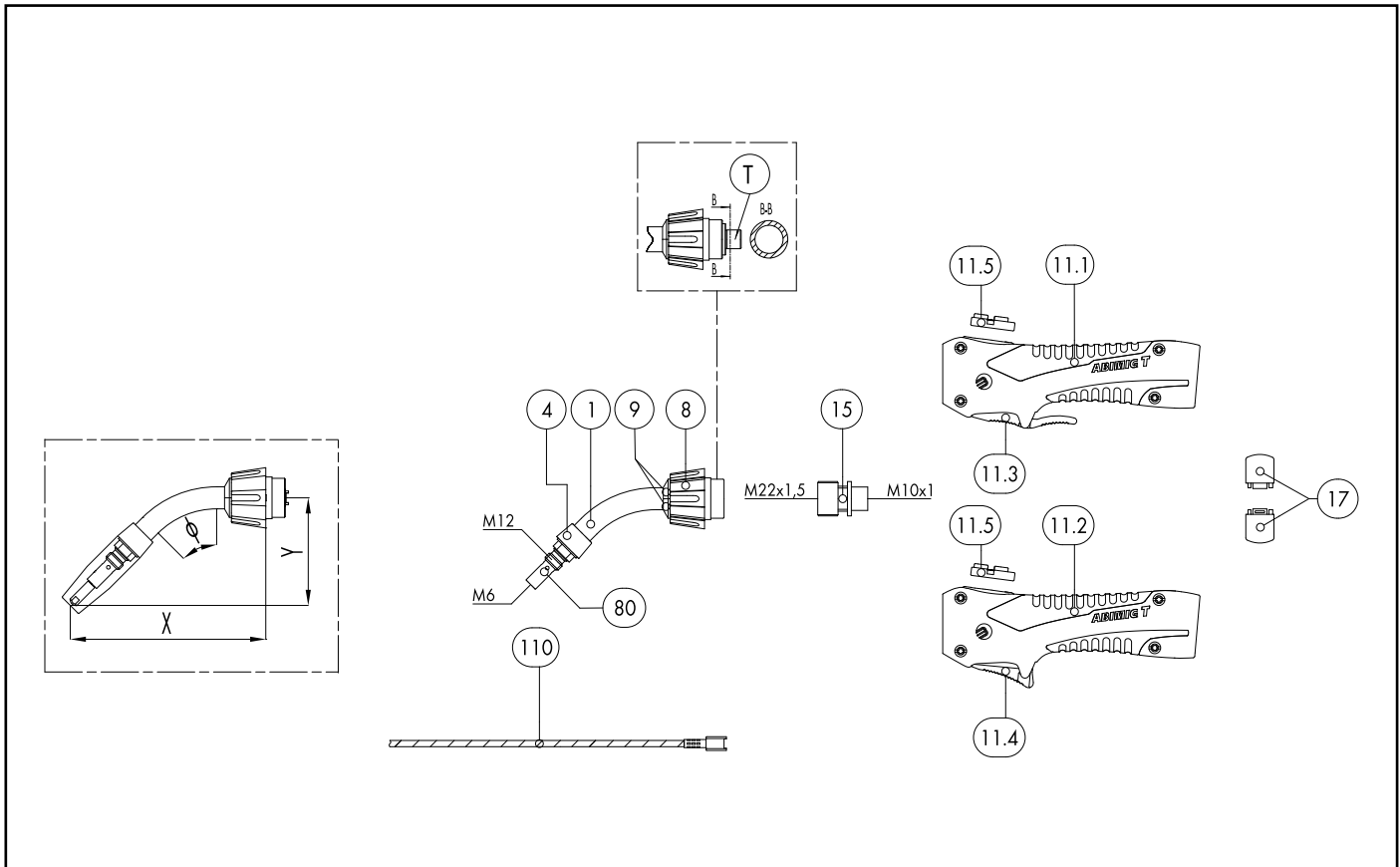
Technical data  
(EN 60 974-7)

MIG/MAG Welding Torches “ABIMIG® A T LW” (air cooled)

Type	CO <sub>2</sub>	Rating (A) Mixed gases M21	Duty cycle (%)	Wire size (mm)
<b>ABIMIG® A T 155 LW</b>	190	180	60	0.8-1.0
<b>ABIMIG® A T 255 LW</b>	240	220	60	0.8-1.2
<b>ABIMIG® A T 305 LW</b>	290	260	60	0.8-1.2
<b>ABIMIG® A T 355 LW</b>	340	320	60	1.0-1.6
<b>ABIMIG® A T 405 LW</b>	400	370	60	1.0-1.6

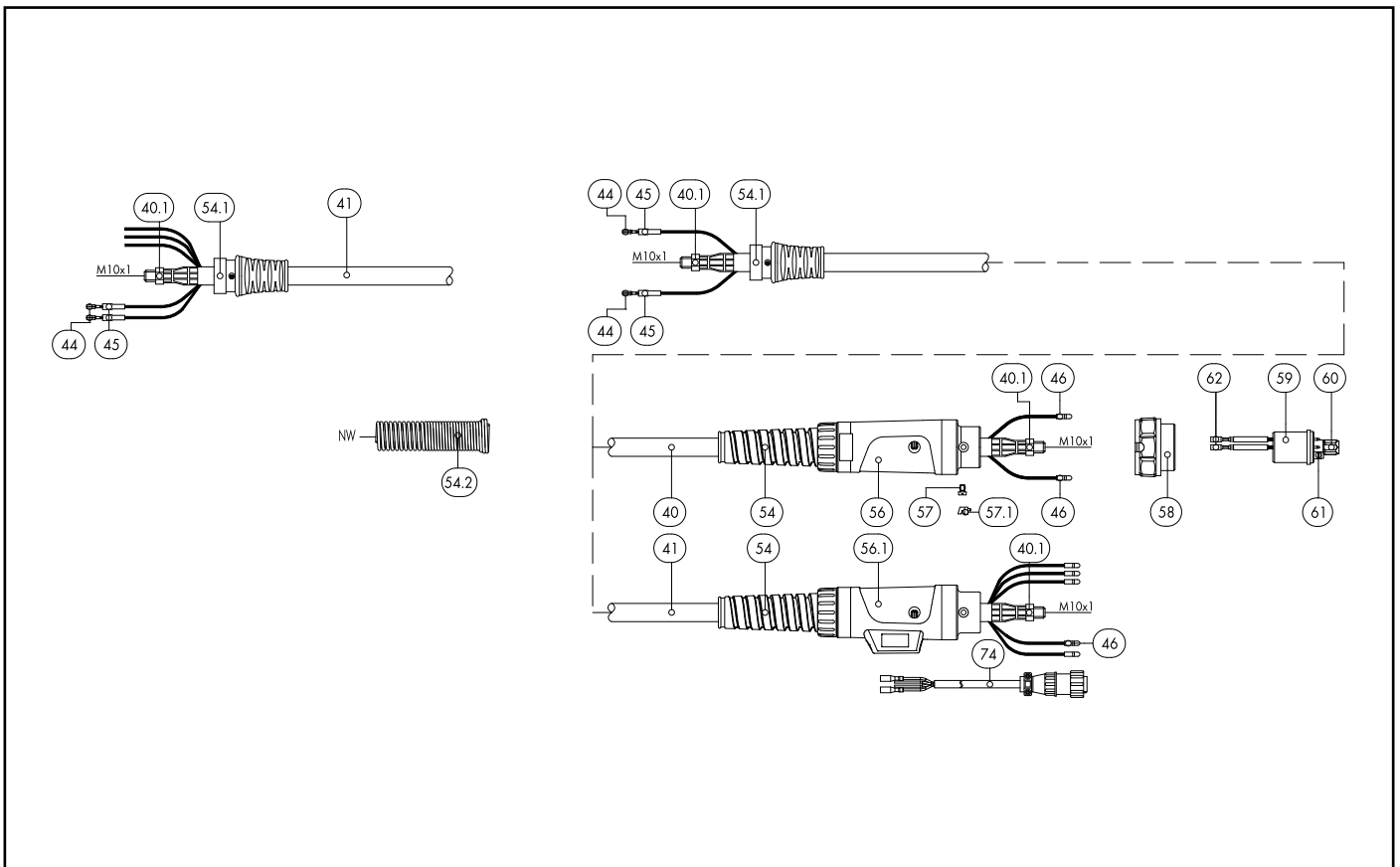
Subject to change without notice.

# MIG/MAG Welding Torches ABIMIG® A T 155 LW



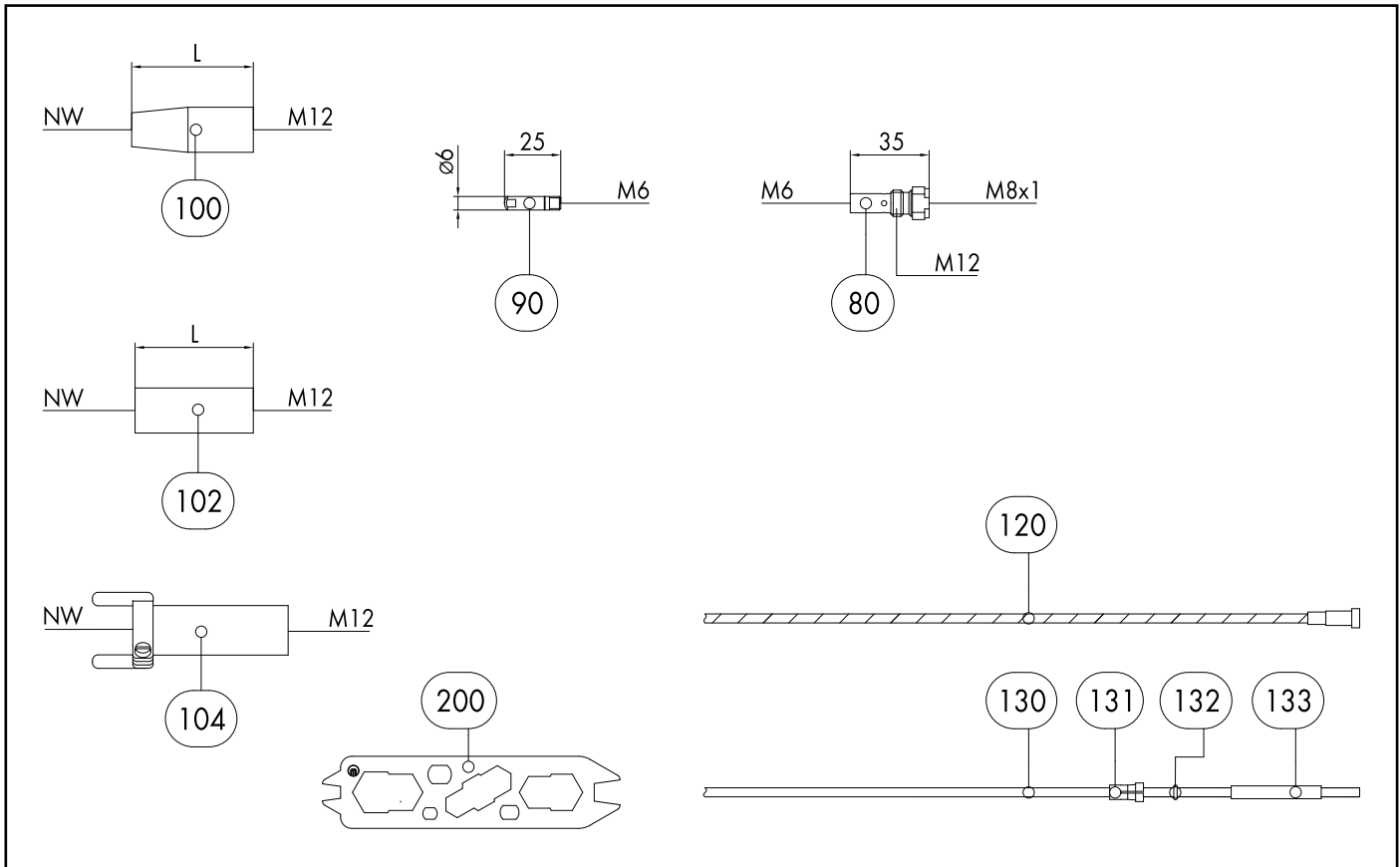
Pos.	Description	Units	Part-No.	Product-group
<b>Basic torch (complete)</b>				
	ABIMIG® A T 155 LW; T45°; central adaptor KZ-2; 3.00 m		006.D810.1	1323
	ABIMIG® A T 155 LW; T45°; central adaptor KZ-2; 4.00 m		006.D811.1	1323
	ABIMIG® A T 155 LW; T45°; central adaptor KZ-2; 5.00 m		006.D812.1	1323
<b>Combi torch (basic torch without neck and wear parts)</b>				
	ABIMIG® A T G 155 LW; central adaptor KZ-2; 3.00 m		006.D841.1	1325
	ABIMIG® A T G 155 LW; central adaptor KZ-2; 4.00 m		006.D842.1	1325
	ABIMIG® A T G 155 LW; central adaptor KZ-2; 5.00 m		006.D843.1	1325
<b>Swan neck</b>				
1	Swan neck ABIMIG® A 155 LW; 45° bent		006.D804.1	1306
1	Swan neck ABIMIG® A T 155 K T; 45°; X=105, Y=55; M6; gas nozzle screwed		006.D848.1	1306
1	Swan neck ABIMIG® A T 155 T8 FLEX; X=248; M6; gas nozzle screwed		006.D802.1	1306
1	COMBI swan neck A T 155 K T cpl.; 45°; X=105, Y=55; M6; gas nozzle screwed		006.0131.1	1306
1	COMBI swan neck A T 155 T cpl.; 45°; X=125, Y=70; M6; gas nozzle screwed		006.0132.1	1306
1	COMBI swan neck A T 155 T8 FLEX cpl.; X=248; M6; gas nozzle screwed		006.0133.1	1306
4	Spacer	5 Pcs.	767.D607.5	1595
8	Coupling nut M22x1.5		014.H279.1	1595
9	Protection cap (split) D=14 for round-neck nut	10 Pcs.	014.H281.10	1595
<b>Handle</b>				
11.1	Handle ABIMIG® A T with push-button long		180.D077.1	1595
11.1	Handle ABIMIG® A T with push-button long (without module BIS-52)		180.D079.1	1595
11.2	Handle ABIMIG® A T with push-button short		180.D078.1	1595
11.2	Handle ABIMIG® A T with push-button short (without module BIS-52)		180.D080.1	1595
11.3	Trigger long 2-pole		185.D118.1	1595
11.4	Trigger short 2-pole		185.D120.1	1595
11.5	Blind cover		400.D573.1	1595

# MIG/MAG Welding Torches ABIMIG® A T 155 LW



Pos.	Description	Units	Part-No.	Product-group
15	Torch pipe connection M22x1.5 / M10x1		014.H354.1	1595
17	Half rings (1 pair)	2 Pcs.	400.D561.2	1595
<b>Cable assembly</b>				
40	Bikox® LW power cable, R4 for 3.00 m		160.H025.1	1511
40	Bikox® LW power cable, R4 for 4.00 m		160.H026.1	1511
40	Bikox® LW cable assembly, R4 2-pole for 4.50 m		160.H380.1	1511
40	Bikox® LW power cable, R4 for 5.00 m		160.H027.1	1511
40	Bikox® LW cable assembly, R4 2-pole for 6.00 m		160.H430.1	1511
40	Bikox® LW cable assembly, R4 2-pole Up/Down for 3.00 m		160.H365.1	1511
40	Bikox® LW cable assembly, R4 2-pole Up/Down for 4.00 m		160.H366.1	1511
40	Bikox® LW cable assembly, R4 2-pole Up/Down for 4.50 m		160.H431.1	1511
40	Bikox® LW cable assembly, R4 2-pole Up/Down for 5.00 m		160.H367.1	1511
40	Bikox® LW cable assembly, R4 2-pole Up/Down for 6.00 m		160.H432.1	1511
40.1	Hexagon nut M10x1	10 Pcs.	001.0009	9010
44	Trigger wire connector	20 Pcs.	175.0022	9010
45	Insulating sleeve	20 Pcs.	400.0119	1095
46	Plug	20 Pcs.	175.0004	9010
54	Cable support ND 19		400.1010	1095
54.1	Cable support spring ND 21		400.D205	1595
54.1	Cable support ABIMIG® A T LW (short)		400.D574.1	1595
56	Cable support machine side		501.2248	9010
56.1	Connection housing machine side cpl.; for UNI-plug		501.D578.1	1595
57	Pan head screw M4x6	20 Pcs.	000.0552	9010
57.1	Screw cap 1	20 Pcs.	500.0251	9010
58	Adaptor nut M33x2		500.0213	9010
59	Central adaptor KZ-2		501.0003	1095

# MIG/MAG Welding Torches ABIMIG® A T 155 LW



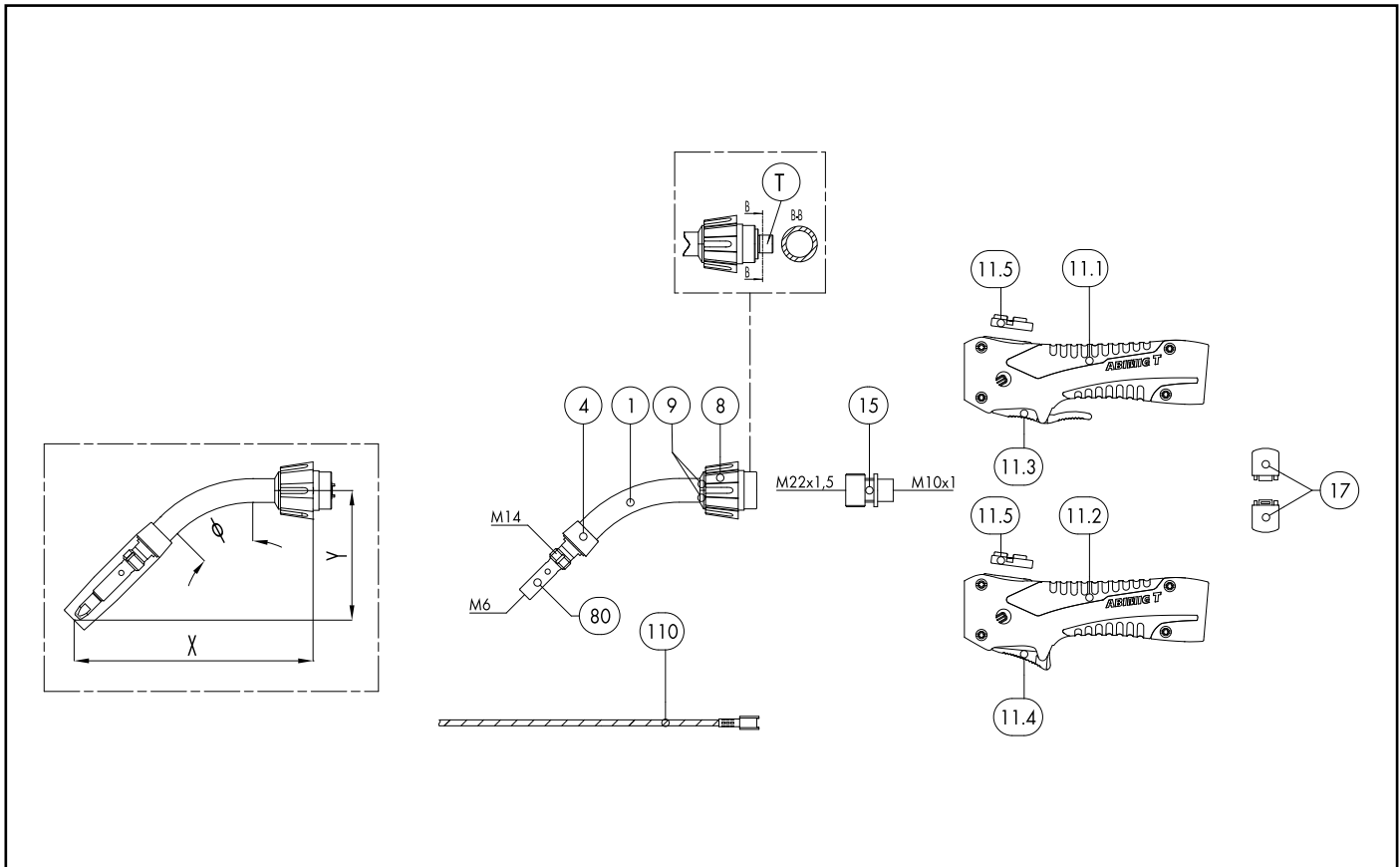
Pos.	Description	Units	Part-No.	Product-group
60	Coupling nut M10x1, plastic	5 Pcs.	501.D536.5	1595
61	O-Ring 4x1	20 Pcs.	165.0002	9010
62	Trigger wire connector; female	20 Pcs.	175.0003	9010
74	Control cable with 4-pole Amphenol plug L=400 mm		175.D098	1595
74.1	Protective tube 4.5x0.5, L=60 mm		110.D023	1595
<b>Wear parts</b>				
80	Contact tip holder M12/M6/35 US	5 Pcs.	006.D719.5	1533
90	Contact tip M6 E-Cu; Ø 0.6 (6x25)	10 Pcs.	140.0008	1030
90	Contact tip M6 E-Cu; Ø 0.8 (6x25)	10 Pcs.	140.0059	1030
90	Contact tip M6 E-Cu; Ø 1.0 (6x25)	10 Pcs.	140.0253	1030
90	Contact tip M6 CuCrZr; Ø 0.6 (6x25)	10 Pcs.	140.0855	1031
90	Contact tip M6 CuCrZr; Ø 0.8 (6x25)	10 Pcs.	140.0062	1031
90	Contact tip M6 CuCrZr; Ø 1.0 (6x25)	10 Pcs.	140.0256	1031
90	Contact tip M6 E-Cu; Ø 0.8 for alu wire (6x25)	10 Pcs.	141.0002	1030
90	Contact tip M6 E-Cu; Ø 1.0 for alu wire (6x25)	10 Pcs.	141.0007	1030
90	Contact tip M6 CuCrZr silver-plated; Ø 0.8 (6x25)	10 Pcs.	147.0062	1031
90	Contact tip M6 CuCrZr silver-plated; Ø 1.0 (6x25)	10 Pcs.	147.0256	1031
100	Gas nozzle M12; ND 12; galvanized; conical L=52 mm	5 Pcs.	145.D001	1536
100	Gas nozzle M12; NW 10; galvanized; conical L=50 mm	5 Pcs.	145.D002	1536
100	Gas nozzle M12; NW 10; galvanized; conical L=52 mm	5 Pcs.	145.D006	1536
100	Gas nozzle M12; ND 12; galvanized; conical L=54 mm	5 Pcs.	145.D004	1536
102	Gas nozzle M12; ND 17; galvanized; cylindrical L=52 mm	5 Pcs.	145.D003	1536
102	Gas nozzle M12; ND 12 blank; conical with extended insulation L=52 mm	5 Pcs.	145.D205	1536
104	Spot weld gas nozzle M12; NW 17; galvanized; L=67 mm	5 Pcs.	145.D009	1536
110	Neck liner 1.5; for wire Ø 0.6 - 1.0; for ABIMIG® T-Line		122.D037	1534
110	Neck liner 1.6; brass; for wire Ø 0.6 - 1.0; for ABIMIG® T-Line		122.D040	1534



# MIG/MAG Welding Torches ABIMIG® A T 155 LW

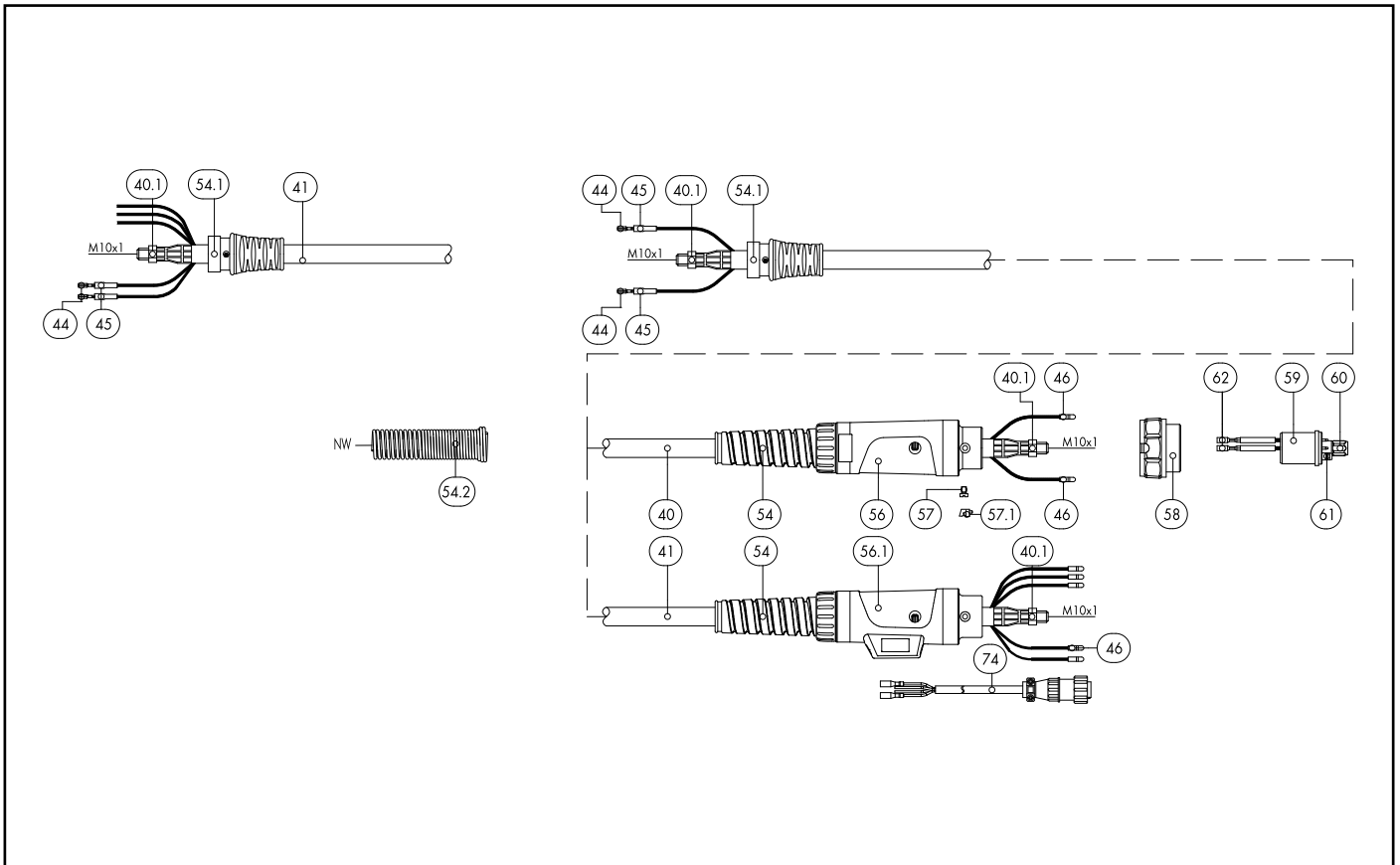
Pos.	Description	Units	Part-No.	Product-group
120	Guide spiral liner insulated; 1.5/4.5; blue; for wire Ø 0.6–0.8; for 3.00 m		124.0011	1034
120	Guide spiral liner insulated; 1.5/4.5; blue; for wire Ø 0.6–0.8; for 4.00 m		124.0012	1034
120	Guide spiral liner insulated; 1.5/4.5; blue; for wire Ø 0.6–0.8; for 5.00 m		124.0015	1034
120	Guide spiral liner insulated; 1.5/4.5; blue; wire-Ø 0.6–0.8; for 6.00 m		124.0016	1034
120	Guide spiral liner insulated; 2.0/4.5; red; for wire Ø 1.0–1.2; for 3.00 m		124.0026	1034
120	Guide spiral liner insulated; 2.0/4.5; red; for wire Ø 1.0–1.2; for 4.00 m		124.0031	1034
120	Guide spiral liner insulated; 2.0/4.5; red; for wire Ø 1.0–1.2; for 5.00 m		124.0035	1034
120	Guide spiral liner insulated; 2.0/4.5; red; wire-Ø 1.0–1.2; for 6.00 m		124.0036	1034
130	PTFE core liner 1.5/4.0; blue; wire electrode Ø 0.8–1.0; for 3.00 m		126.0005	1034
130	PTFE core liner 1.5/4.0; blue; wire electrode Ø 0.8–1.0; for 4.00 m		126.0008	1034
130	PTFE core liner 1.5/4.0; blue; wire electrode Ø 0.8–1.0; for 5.00 m		126.0011	1034
130	PTFE core liner 1.5/4.0; blue; wire electrode Ø 0.6–1.0; for 8.00 m		126.0013	1034
130	PTFE core liner 2.0/4.0; red; wire electrode Ø 1.0–1.2; for 3.00 m		126.0021	1034
130	PTFE core liner 2.0/4.0; red; wire electrode Ø 1.0–1.2; for 4.00 m		126.0026	1034
130	PTFE core liner 2.0/4.0; red; wire electrode Ø 1.0–1.2; for 5.00 m		126.0028	1034
130	PTFE core liner 2.0/4.0; red; wire electrode Ø 0.8–1.2; for 8.00 m		126.0030	1034
130	PTFE carbon core liner 1.5/4.0; wire electrode Ø 0.8–1.0; for 3.00 m		127.0002	1034
130	PTFE carbon core liner 1.5/4.0; wire electrode Ø 0.8–1.0; for 4.00 m		127.0003	1034
130	PTFE carbon core liner 1.5/4.0; wire electrode Ø 0.8–1.0; for 5.00 m		127.0004	1034
130	PTFE carbon core liner 1.5/4.0; wire electrode Ø 0.6–1.0; for 8.00 m		127.0015	1034
130	PTFE carbon core liner 2.0/4.0; wire electrode Ø 1.0–1.2; for 3.00 m		127.0005	1034
130	PTFE carbon core liner 2.0/4.0; wire electrode Ø 1.0–1.2; for 4.00 m		127.0007	1034
130	PTFE carbon core liner 2.0/4.0; wire electrode Ø 1.0–1.2; for 5.00 m		127.0008	1034
130	PTFE carbon core liner 2.0/4.0; wire electrode Ø 0.8–1.2; for 8.00 m		127.0009	1034
131	Nipple for core liner at Ø 4.0	20 Pcs.	131.0001	1095
132	O-Ring 3.5x1.5	20 Pcs.	165.0008	9010
133	Guide tube for core liners up to Ø 4.0 (200 mm)	10 Pcs.	129.0461	1095
200	Spanner for ABIMIG®		191.D045	1595

# MIG/MAG Welding Torches ABIMIG® A T 255 LW



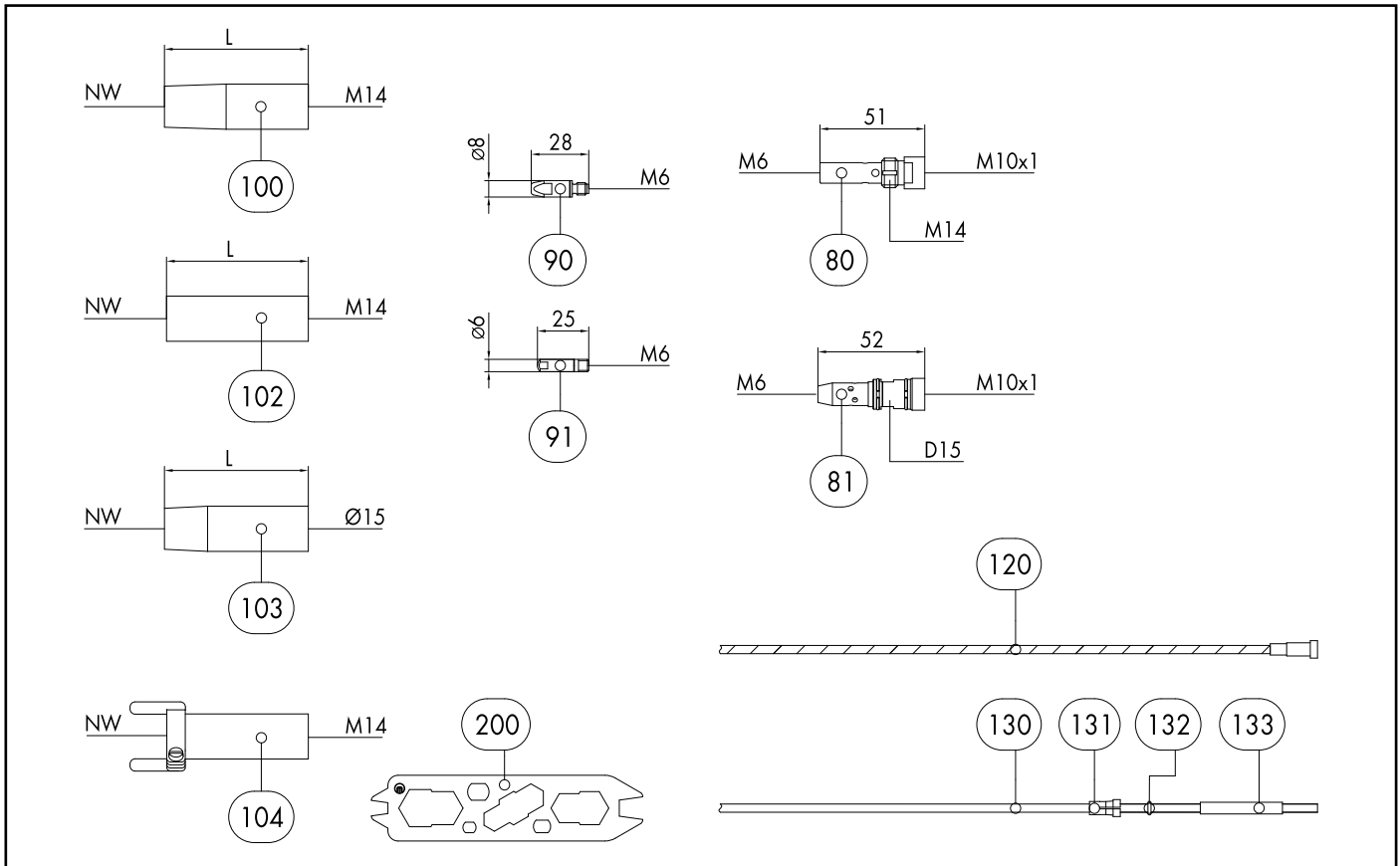
Pos.	Description	Units	Part-No.	Product-group
	<b>Basic torch (complete)</b>			
	ABIMIG® A T 255 LW; T45°; central adaptor KZ-2; 3.00 m		004.D850.1	1323
	ABIMIG® A T 255 LW; T45°; central adaptor KZ-2; 4.00 m		004.D851.1	1323
	ABIMIG® A T 255 LW; T45°; central adaptor KZ-2; 5.00 m		004.D852.1	1323
	<b>Combi torch (basic torch without neck and wear parts)</b>			
	ABIMIG® A T G 255 LW; central adaptor KZ-2; 3.00 m		004.D894.1	1325
	ABIMIG® A T G 255 LW; central adaptor KZ-2; 4.00 m		004.D895.1	1325
	ABIMIG® A T G 255 LW; central adaptor KZ-2; 5.00 m		004.D896.1	1325
	<b>Swan neck</b>			
1	Swan neck ABMIG® A T 255K T; 45°; X=125; Y=75; gas nozzle screwed		004.D837.1	1306
1	Swan neck ABIMIG® A 255 LW; 45° bent		004.D831.1	1306
1	Swan neck ABMIG® A T 255 TM; 45°; X=160; Y=85; gas nozzle screwed		004.D842.1	1306
1	Swan neck ABMIG® A T 255 TM; 60°; X=135; Y=105; gas nozzle screwed		004.D860.1	1306
1	Swan neck ABMIG® A T 255 T; 60°; X=135; Y=106; gas nozzle screwed		004.D907.1	1306
1	Swan neck ABMIG® A T 255K TM; 45°; X=125; Y=75; gas nozzle screwed		004.D912.1	1306
1	Swan neck ABMIG® A T 255 T; 45°; X=185; Y=95; gas nozzle screwed		004.D919.1	1306
1	Swan neck ABMIG® A T 255 TM; 45°; X=185; Y=95; gas nozzle screwed		004.D924.1	1306
	Swan neck ABMIG® A T 257 T; 45°; X=160; Y=85; gas nozzle mated		004.D845.1	1306
	Swan neck ABMIG® A T 257 TM; 45°; X=160; Y=85; gas nozzle mated		004.D846.1	1306
	Swan neck ABMIG® A T 257K T; 45°; X=125; Y=75; gas nozzle mated		004.D915.1	1306
	Swan neck ABMIG® A T 257K TM; 45°; X=135; Y=105; gas nozzle mated		004.D916.1	1306
	Swan neck ABMIG® A T 257 T; 60°; X=135; Y=105; gas nozzle mated		004.D917.1	1306
	Swan neck ABMIG® A T 257 TM; 60°; X=135; Y=105; gas nozzle mated		004.D918.1	1306
	Swan neck ABMIG® A T 257 T; 45°; X=185; Y=95; gas nozzle mated		004.D927.1	1306
	Swan neck ABMIG® A T 257 TM; 45°; X=185; Y=95; gas nozzle mated		004.D928.1	1306
	Swan neck ABMIG® A T 255 T8 FLEX; X=567; gas nozzle screwed		004.D826.1	1306

# MIG/MAG Welding Torches ABIMIG® A T 255 LW



Pos.	Description	Units	Part-No.	Product-group
	COMBI swan neck A T 255K TM cpl.; 45°; X=125; Y=75; gas nozzle screwed		004.0638.1	1306
	COMBI swan neck A T 255K T cpl.; 45°; X=125; Y=75; gas nozzle screwed		004.0639.1	1306
	COMBI swan neck A T 255 TM cpl.; 45°; X=160; Y=85; gas nozzle screwed		004.0640.1	1306
	COMBI swan neck A T 255 T cpl.; 45°; X=160; Y=85; gas nozzle screwed		004.0641.1	1306
	COMBI swan neck A T 255 TM cpl.; 60°; X=135; Y=105; gas nozzle screwed		004.0642.1	1306
	COMBI swan neck A T 255 T cpl.; 60°; X=135; Y=105; gas nozzle screwed		004.0643.1	1306
	COMBI swan neck A T 255L TM cpl.; 45°; X=185; Y=95; gas nozzle screwed		004.0644.1	1306
	COMBI swan neck A T 255L T cpl.; 45°; X=185; Y=95 gas nozzle screwed		004.0645.1	1306
	COMBI swan neck A T 255 T8 FLEX cpl.; X=250; gas nozzle screwed		004.0646.1	1306
4	Spacer	5 Pcs.	767.D637.5	1595
8	Coupling nut M22x1.5		014.H279.1	1595
9	Protective cab (split) D=16 for round-neck nut	10 Pcs.	014.H282.10	1595
	<b>Handle</b>			
11.1	Handle ABIMIG® A T with push-button long		180.D077.1	1595
11.1	Handle ABIMIG® A T with push-button long (without module BIS-52)		180.D079.1	1595
11.2	Handle ABIMIG® A T with push-button short		180.D078.1	1595
11.2	Handle ABIMIG® A T with push-button short (without module BIS-52)		180.D080.1	1595
11.3	Trigger long 2-pole		185.D118.1	1595
11.4	Trigger short 2-pole		185.D120.1	1595
11.5	Blind cover		400.D573.1	1595
15	Torch pipe connection M22x1.5 / M10x1		014.H354.1	1595
17	Half rings (1 pair)	2 Pcs.	400.D561.2	1595
	<b>Cable assembly</b>			
40	Bikox® LW power cable, R5 for 3.00 m		160.H032.1	1511
40	Bikox® LW power cable, R5 for 4.00 m		160.H033.1	1511
40	Bikox® LW cable assembly, R5 2-pole for 4.50 m		160.H242.1	1511

# MIG/MAG Welding Torches ABIMIG® A T 255 LW



Pos.	Description	Units	Part-No.	Product-group
40	Bikox® LW power cable, R5 for 5.00 m		160.H034.1	1511
40	Bikox® LW cable assembly, R5 2-pole for 6.00 m		160.H433.1	1511
40	Bikox® LW cable assembly, R5 2-pole Up/Down for 3.00 m		160.H368.1	1511
40	Bikox® LW cable assembly, R5 2-pole Up/Down for 4.00 m		160.H369.1	1511
40	Bikox® LW cable assembly, R5 2-pole Up/Down for 4.50 m		160.H434.1	1511
40	Bikox® LW cable assembly, R5 2-pole Up/Down for 5.00 m		160.H370.1	1511
40	Bikox® LW cable assembly, R5 2-pole Up/Down for 6.00 m		160.H435.1	1511
40.1	Hexagon nut M10x1	10 Pcs.	001.0009	9010
44	Trigger wire connector	20 Pcs.	175.0022	9010
45	Insulating sleeve	20 Pcs.	400.0119	1095
46	Plug	20 Pcs.	175.0004	9010
54	Cable support ND 19		400.1010	1095
54.1	Cable support ABIMIG® A T LW (short)		400.D574.1	1595
54.1	Cable support spring ND 21		400.D205	1595
56	Cable support machine side		501.2248	9010
56.1	Connection housing machine side cpl.; for UNI-plug		501.D578.1	1595
57	Pan head screw M4x6	20 Pcs.	000.0552	9010
57.1	Screw cap 1	20 Pcs.	500.0251	9010
58	Adaptor nut M33x2		500.0213	9010
59	Central adaptor KZ-2		501.0003	1095
60	Coupling nut M10x1, plastic	5 Pcs.	501.D536.5	1595
61	O-Ring 4x1	20 Pcs.	165.0002	9010
62	Trigger wire connector; female	20 Pcs.	175.0003	9010
74	Control cable with 4-pole Amphenol plug L=400 mm		175.D098	1595
<b>Wear parts</b>				
80	Contact tip holder M14/M6/51 US	5 Pcs.	004.D624.5	1533

# MIG/MAG Welding Torches ABIMIG® A T 255 LW

Pos.	Description	Units	Part-No.	Product-group
81	Contact tip holder D15/M8/53 for slip-on gas nozzle	5 Pcs.	004.D763.5	1533
90	Contact tip M6 E-Cu; Ø 0.8 (8x28)	10 Pcs.	140.0051	1030
90	Contact tip M6 E-Cu; Ø 1.0 (8x28)	10 Pcs.	140.0242	1030
90	Contact tip M6 E-Cu; Ø 1.2 (8x28)	10 Pcs.	140.0379	1030
90	Contact tip M6 CuCrZr; Ø 0.8 (8x28)	10 Pcs.	140.0054	1031
90	Contact tip M6 CuCrZr; Ø 1.0 (8x28)	10 Pcs.	140.0245	1031
90	Contact tip M6 CuCrZr; Ø 1.2 (8x28)	10 Pcs.	140.0382	1031
90	Contact tip M6 E-Cu; Ø 0.8 for alu wire (8x28)	10 Pcs.	141.0001	1030
90	Contact tip M6 E-Cu; Ø 1.0 for alu wire (8x28)	10 Pcs.	141.0006	1030
90	Contact tip M6 E-Cu; Ø 1.2 for alu wire (8x28)	10 Pcs.	141.0010	1030
90	Contact tip M6 CuCrZr silver-plated; Ø 0.8 (8x28)	10 Pcs.	147.0054	1031
90	Contact tip M6 CuCrZr silver-plated; Ø 1.0 (8x28)	10 Pcs.	147.0245	1031
90	Contact tip M6 CuCrZr silver-plated; Ø 1.2 (8x28)	10 Pcs.	147.0382	1031
90	Contact tip M6 HDS silver-plated; Ø 0.9 (8x28)	10 Pcs.	147.5172.10	5038
90	Contact tip M6 HDS silver-plated; Ø 1.0 (8x28)	10 Pcs.	147.5245	5038
90	Contact tip M6 HDS silver-plated; Ø 1.2 (8x28)	10 Pcs.	147.5382	5038
91	Contact tip M6 E-Cu; Ø 0.8 (6x25)	10 Pcs.	140.0059	1030
91	Contact tip M6 E-Cu; Ø 1.0 (6x25)	10 Pcs.	140.0253	1030
91	Contact tip M6 E-Cu; Ø 1.2 (6x25)	10 Pcs.	140.0387	1030
91	Contact tip M6 CuCrZr; Ø 0.8 (6x25)	10 Pcs.	140.0062	1031
91	Contact tip M6 CuCrZr; Ø 1.0 (6x25)	10 Pcs.	140.0256	1031
91	Contact tip M6 CuCrZr; Ø 1.2 (6x25)	10 Pcs.	140.0390	1031
91	Contact tip M6 E-Cu; Ø 0.8 for alu wire (6x25)	10 Pcs.	141.0002	1030
91	Contact tip M6 E-Cu; Ø 1.0 for alu wire (6x25)	10 Pcs.	141.0007	1030
91	Contact tip M6 E-Cu; Ø 1.2 for alu wire (6x25)	10 Pcs.	141.0011	1030
91	Contact tip M6 CuCrZr silver-plated; Ø 0.8 (6x25)	10 Pcs.	147.0062	1031
91	Contact tip M6 CuCrZr silver-plated; Ø 1.0 (6x25)	10 Pcs.	147.0256	1031
91	Contact tip M6 CuCrZr silver-plated; Ø 1.2 (6x25)	10 Pcs.	147.0390	1031
100	Gas nozzle M14; ND 16; galvanized	5 Pcs.	145.D011	1536
	Gas nozzle M14; ND 14; galvanized; conical L=67 mm	5 Pcs.	145.D012	1536
	Gas nozzle M14; ND 16 blank; with extended insulation	5 Pcs.	145.D195	1536
	Gas nozzle M14; NW 12; galvanized; conical L=67 mm	5 Pcs.	145.D013	1536
	Gas nozzle M14; NW 10; galvanized; conical L=67 mm	5 Pcs.	145.D268	1537
	Gas nozzle M14; ND 14; galvanized; conical L=67 mm	5 Pcs.	145.D012	1536
	Gas nozzle M14; NW 16; blank; conical L=70 mm	5 Pcs.	145.D190	1536
	Gas nozzle M14; NW 14; galvanized; conical L=70 mm	5 Pcs.	145.D016	1536
	Gas nozzle M14; NW 12; galvanized; conical L=70 mm	5 Pcs.	145.D015	1536
102	Gas nozzle M14; ND 18 galvanized; cylindrical L=67 mm	5 Pcs.	145.D014	1536
103	Gas nozzle (slip-on) D15; ND 16 galvanized	5 Pcs.	145.D375.5	1537
	Gas nozzle pluggable D15; NW 14; galvanized; conical L=70 mm; with extended insulation	5 Pcs.	145.D452.5	1537
	Gas nozzle pluggable D15; NW 12 galvanized; conical L=70 mm; with extended insulation	5 Pcs.	145.D451.5	1537
104	Spot weld gas nozzle M14; NW 18; galvanized; L=87 mm; with extended insulation	5 Pcs.	145.D019	1536
110	Neck liner 1.5; for wire Ø 0.6-1.0; for ABIMIG® T-Line		122.D037	1534
110	Neck liner 2.0; for wire Ø 1.0-1.2; for ABIMIG® T-Line		122.D038	1534
110	Neck liner 1.6; brass; for wire Ø 0.6-1.0; for ABIMIG® T-Line		122.D040	1534
110	Neck liner 2.2; brass; for wire Ø 1.0-1.4; for ABIMIG® T-Line		122.D041	1534
120	Guide spiral liner insulated; 1.5/4.5; blue; for wire Ø 0.6-0.8; for 3.00 m		124.0011	1034
120	Guide spiral liner insulated; 1.5/4.5; blue; for wire Ø 0.6-0.8; for 4.00 m		124.0012	1034
120	Guide spiral liner insulated; 1.5/4.5; blue; for wire Ø 0.6-0.8; for 5.00 m		124.0015	1034
120	Guide spiral liner insulated; 1.5/4.5; blue; wire-Ø 0.6-0.8; for 6.00 m		124.0016	1034

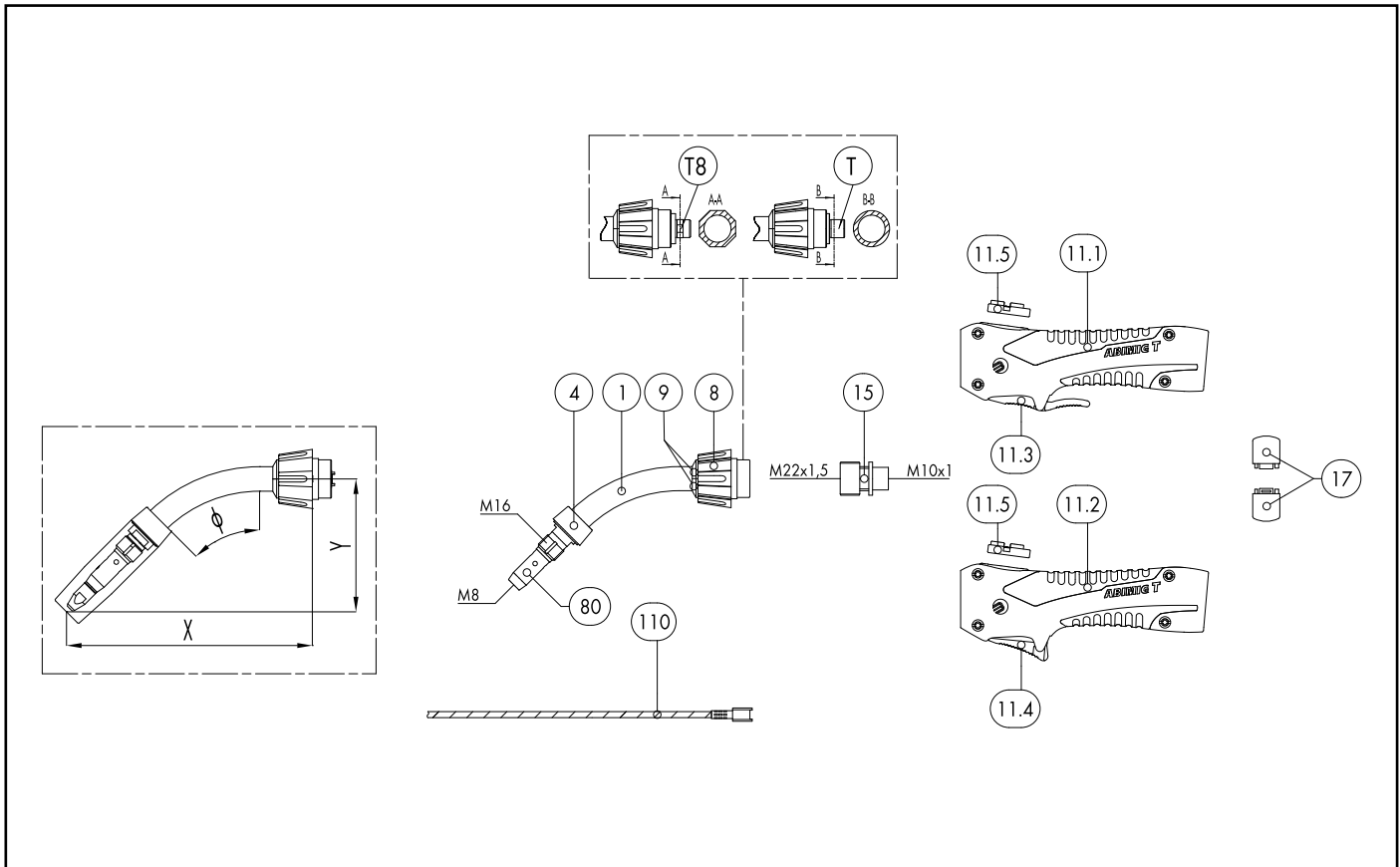
# MIG/MAG Welding Torches ABIMIG® A T 255 LW

Pos.	Description	Units	Part-No.	Product-group
120	Guide spiral liner insulated; 2.0/4.5; red; for wire Ø 1.0-1.2; for 3.00 m		124.0026	1034
120	Guide spiral liner insulated; 2.0/4.5; red; for wire Ø 1.0-1.2; for 4.00 m		124.0031	1034
120	Guide spiral liner insulated; 2.0/4.5; red; for wire Ø 1.0-1.2; for 5.00 m		124.0035	1034
120	Guide spiral liner insulated; 2.0/4.5; red; wire-Ø 1.0-1.2; for 6.00 m		124.0036	1034
130	PTFE core liner 1.5/4.0; blue; wire electrode Ø 0.8-1.0; for 3.00 m		126.0005	1034
130	PTFE core liner 1.5/4.0; blue; wire electrode Ø 0.8-1.0; for 4.00 m		126.0008	1034
130	PTFE core liner 1.5/4.0; blue; wire electrode Ø 0.8-1.0; for 5.00 m		126.0011	1034
130	PTFE core liner 1.5/4.0; blue; wire electrode Ø 0.6-1.0; for 8.00 m		126.0013	1034
130	PTFE core liner 2.0/4.0; red; wire electrode Ø 1.0-1.2; for 3.00 m		126.0021	1034
130	PTFE core liner 2.0/4.0; red; wire electrode Ø 1.0-1.2; for 4.00 m		126.0026	1034
130	PTFE core liner 2.0/4.0; red; wire electrode Ø 1.0-1.2; for 5.00 m		126.0028	1034
130	PTFE core liner 2.0/4.0; red; wire electrode Ø 0.8-1.2; for 8.00 m		126.0030	1034
130	PTFE carbon core liner 1.5/4.0; wire electrode Ø 0.8-1.0; for 3.00 m		127.0002	1034
130	PTFE carbon core liner 1.5/4.0; wire electrode Ø 0.8-1.0; for 4.00 m		127.0003	1034
130	PTFE carbon core liner 1.5/4.0; wire electrode Ø 0.8-1.0; for 5.00 m		127.0004	1034
130	PTFE carbon core liner 1.5/4.0; wire electrode Ø 0.6-1.0; for 8.00 m		127.0015	1034
130	PTFE carbon core liner 2.0/4.0; wire electrode Ø 1.0-1.2; for 3.00 m		127.0005	1034
130	PTFE carbon core liner 2.0/4.0; wire electrode Ø 1.0-1.2; for 4.00 m		127.0007	1034
130	PTFE carbon core liner 2.0/4.0; wire electrode Ø 1.0-1.2; for 5.00 m		127.0008	1034
130	PTFE carbon core liner 2.0/4.0; wire electrode Ø 0.8-1.2; for 8.00 m		127.0009	1034
131	Nipple for core liner at Ø 4.0	20 Pcs.	131.0001	1095
132	O-Ring 3.5x1.5	20 Pcs.	165.0008	9010
133	Guide tube for core liners up to Ø 4.0 (200 mm)	10 Pcs.	129.0461	1095
200	Spanner for ABIMIG®		191.D045	1595

# Notes



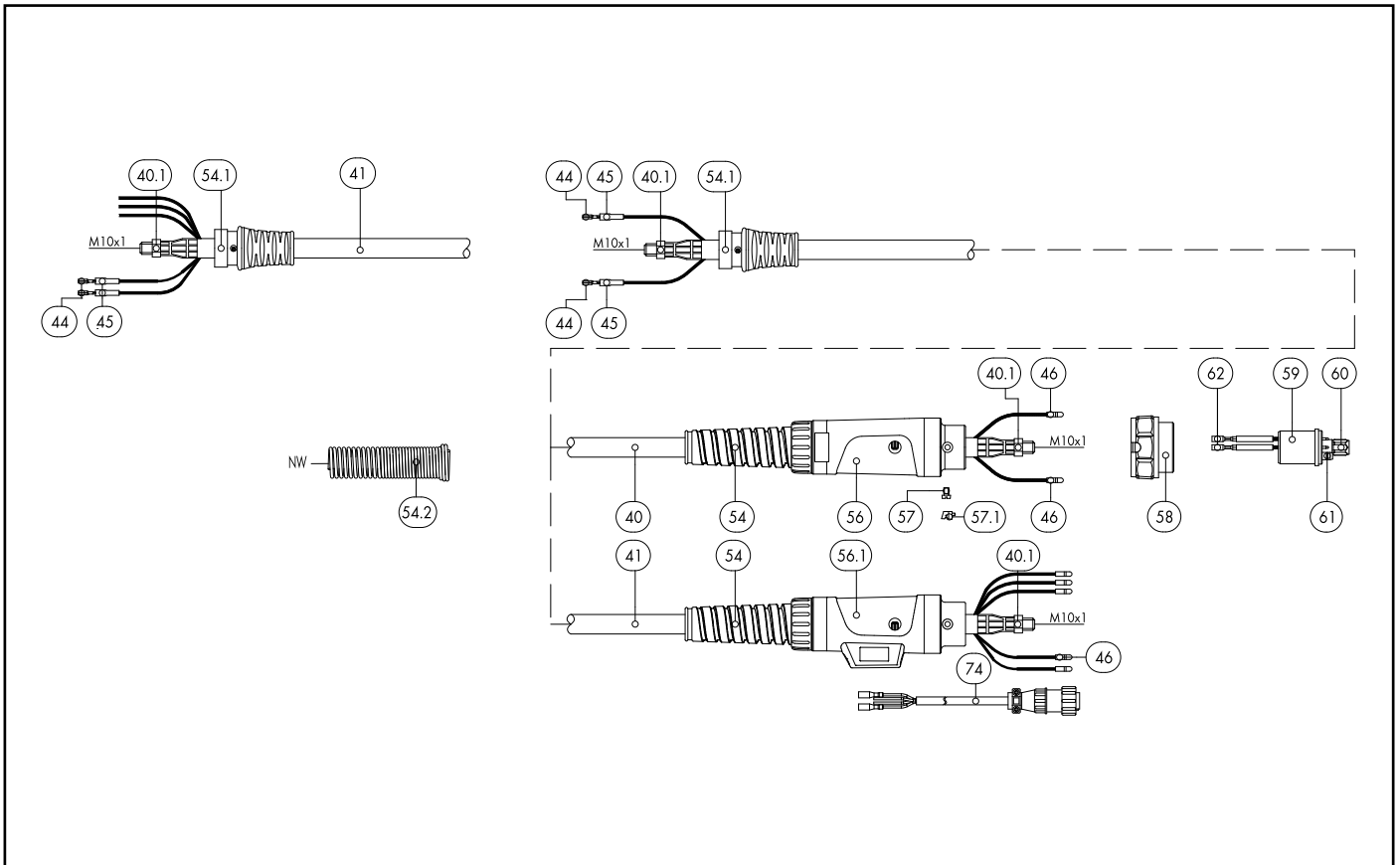
# MIG/MAG Welding Torches ABIMIG® A T 305 LW



Pos.	Description	Units	Part-No.	Product-group
<b>Basic torch (complete)</b>				
	ABIMIG® A T 305 LW; TM45°; central adaptor KZ-2; 3.00 m		018.D960.1	1324
	ABIMIG® A T 305 LW; TM45°; central adaptor KZ-2; 4.00 m		018.D961.1	1324
	ABIMIG® A T 305 LW; TM45°; central adaptor KZ-2; 5.00 m		018.D962.1	1324
<b>Combi torch (basic torch without neck and wear parts)</b>				
	ABIMIG® A T G 305 LW; central adaptor KZ-2; 3.00 m		018.D978.1	1326
	ABIMIG® A T G 305 LW; central adaptor KZ-2; 4.00 m		018.D979.1	1326
	ABIMIG® A T G 305 LW; central adaptor KZ-2; 5.00 m		018.D980.1	1326
<b>Swan neck</b>				
1	Swan neck ABIMIG® A T 305K TM; 45°; X=130; Y=85		014.H403.1	1308
1	Swan neck ABIMIG® A 305 LW; 45° bent		014.H356.1	1308
1	Swan neck ABIMIG® A 355 LW; 45° bent		014.H363.1	1308
1	Swan neck ABIMIG® A T 305/355 T8M; 45°; X=185; Y=95		014.H370.1	1308
1	Swan neck ABIMIG® A T 305/355 TM; 45°; X=350; Y=95		014.H374.1	1308
1	Swan neck ABIMIG® A T 305/355 TM; 45°; X=500; Y=95		014.H380.1	1308
1	Swan neck ABIMIG® A T 305/355 TM; 60°; X=165; Y=110		014.H413.1	1308
1	Swan neck ABIMIG® A T 305/355 T8M; 60°; X=165; Y=110		014.H415.1	1308
1	Swan neck ABIMIG® A T 305K T8M; 45°; X=135; Y=75		014.H583.1	1308
1	Swan neck ABIMIG® A T 305/355K T8M; 45°; X=0160; Y=85		014.H588.1	1308
1	Swan neck ABIMIG® A T 355 T8M; 45°; X=350; Y=95		014.H555.1	1308
1	Swan neck ABIMIG® A T 355 T8M; 45°; X=500; Y=95		014.H560.1	1308
	Swan neck ABIMIG® A T 307K TM; 45°; X=135; Y=85; gas nozzle mated		014.H409.1	1308
	Swan neck ABIMIG® A T 307/357K TM; 45°; X=160; Y=85; gas nozzle mated		014.H387.1	1308
	Swan neck ABIMIG® A T 307/357 TM; 45°; X=185; Y=95; gas nozzle mated		014.H388.1	1308
	Swan neck ABIMIG® A T 307/357 T8M; 45°; X=185; Y=95; gas nozzle mated		014.H389.1	1308
	Swan neck ABIMIG® A T 307K T8M; 45; X=135; Y=85; gas nozzle mated		014.H587.1	1308

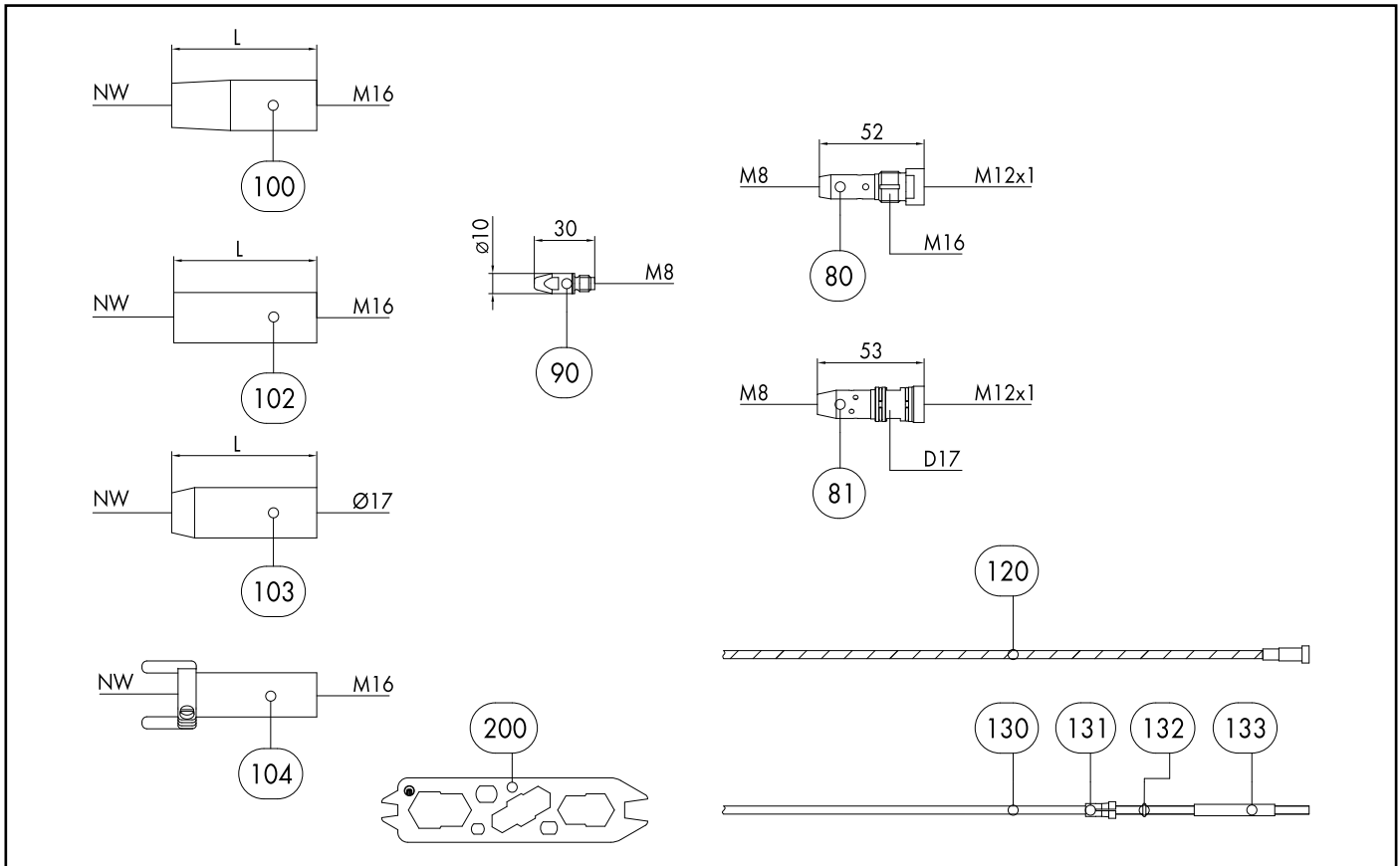


# MIG/MAG Welding Torches ABIMIG® A T 305 LW



Pos.	Description	Units	Part-No.	Product-group
	Swan neck ABIMIG® A T 307/357K T8M; 45°; X=160, Y=85; gas nozzle mated		014.H592.1	1308
	Swan neck ABIMIG® A T 307/357K TM; 45°; X=165, Y=110; gas nozzle mated		014.H594.1	1308
	Swan neck ABIMIG® A T 307/357K T8M; 45°; X=165, Y=110; gas nozzle mated		014.H596.1	1308
	Swan neck ABIMIG® A T 357 T8M; 45°; X=360, Y=95; gas nozzle mated		014.H597.1	1308
	Swan neck ABIMIG® A T 357 TM; 45°; X=500, Y=95; gas nozzle mated		014.H398.1	1326
	Swan neck ABIMIG® A T 357 T8M; 45°; X=500; Y=95; gas nozzle mated		014.H399.1	1326
	Swan neck ABIMIG® A T 305 T8 FLEX; X=260		018.D801	1308
	COMBI swan neck A T 305K TM cpl.; 45°; X=135, Y=75; gas nozzle screwed		014.0467.1	1308
	COMBI swan neck A T 305K T8M cpl.; 45°; X=135, Y=75; gas nozzle screwed		014.0468.1	1308
	COMBI swan neck A T 305/355K TM cpl.; 45°; X=160, Y=85; gas nozzle screwed		014.0469.1	1308
	COMBI swan neck A T 305/355K T8M cpl.; 45°; X=160, Y=85; gas nozzle screwed		014.0470.1	1308
	COMBI swan neck A T 305/355K TM cpl.; 60°; X=165, Y=110; gas nozzle screwed		014.0471.1	1308
	COMBI swan neck A T 305/355K T8M cpl.; 60°; X=165, Y=110; gas nozzle screwed		014.0472.1	1308
	COMBI swan neck A T 305/355K TM cpl.; 45°; X=185, Y=95; gas nozzle screwed		014.0473.1	1308
	COMBI swan neck A T 305/355K T8M cpl.; 45°; X=185, Y=95; gas nozzle screwed		014.0474.1	1308
	COMBI swan neck A T 305XL TM cpl.; 45°; X=350, Y=95; gas nozzle screwed		014.0475.1	1308
	COMBI swan neck A T 305XL T8M cpl.; 45°; X=350, Y=95; gas nozzle screwed		014.0476.1	1308
	COMBI swan neck A T 305XXL TM cpl.; 45°; X=500, Y=95; gas nozzle screwed		014.0477.1	1308
	COMBI swan neck A T 305XXL T8M cpl.; 45°; X=500, Y=95; gas nozzle screwed		014.0478.1	1308
	COMBI swan neck A T 305 T8 FLEX cpl.; X=260; gas nozzle screwed		018.0191.1	1308
4	Spacer	5 Pcs.	767.D668.5	1595
4	Spacer HD	5 Pcs.	767.D898.5	1595
8	Coupling nut M22x1.5		014.H279.1	1595
9	Protective cap (split) D=16 for round-neck nut	10 Pcs.	014.H282.10	1595
<b>Handle</b>				
11.1	Handle ABIMIG® A T with push-button long		180.D077.1	1595

# MIG/MAG Welding Torches ABIMIG® A T 305 LW



Pos.	Description	Units	Part-No.	Product-group
11.1	Handle ABIMIG® A T with push-button long (without module BIS-52)		180.D079.1	1595
11.2	Handle ABIMIG® A T with push-button short		180.D078.1	1595
11.2	Handle ABIMIG® A T with push-button short (without module BIS-52)		180.D080.1	1595
11.3	Trigger long 2-pole		185.D118.1	1595
11.4	Trigger short 2-pole		185.D120.1	1595
11.5	Blind cover		400.D573.1	1595
15	Torch pipe connection M22x1.5 / M10x1		014.H354.1	1595
17	Half rings (1 pair)	2 Pcs.	400.D561.2	1595
<b>Cable assembly</b>				
40	Bikox® LW power cable, R6 for 3.00 m		160.H039.1	1511
40	Bikox® LW power cable, R6 for 4.00 m		160.H040.1	1511
40	Bikox® LW cable assembly, R6 2-pole for 4.50 m		160.H378.1	1511
40	Bikox® LW power cable, R6 for 5.00 m		160.H041.1	1511
40	Bikox® LW cable assembly, R6 2-pole for 6.00 m		160.H436.1	1511
40	Bikox® LW cable assembly, R6 5-pole Up/Down for 3.00 m		160.H371.1	1511
40	Bikox® LW cable assembly, R6 5-pole Up/Down for 4.00 m		160.H372.1	1511
40	Bikox® LW cable assembly, R6 5-pole Up/Down for 4.50 m		160.H437.1	1511
40	Bikox® LW cable assembly, R6 5-pole Up/Down for 5.00 m		160.H373.1	1511
40	Bikox® LW cable assembly, R6 5-pole Up/Down for 6.00 m		160.H438.1	1511
40.1	Hexagon nut M10x1	10 Pcs.	001.0009	9010
44	Trigger wire connector	20 Pcs.	175.0022	9010
45	Insulating sleeve	20 Pcs.	400.0119	1095
46	Plug	20 Pcs.	175.0004	9010
54	Cable support NW 21		400.D518.1	1595
54.1	Cable support ABIMIG® A T LW (short)		400.D574.1	1595
54.1	Cable support spring NW 22		400.D501.1	1595

# MIG/MAG Welding Torches ABIMIG® A T 305 LW

Pos.	Description	Units	Part-No.	Product-group
56	Cable support machine side		501.2248	9010
56.1	Connection housing machine side cpl.; for UNI-plug		501.D578.1	1595
57	Pan head screw M4x6	20 Pcs.	000.0552	9010
57.1	Screw cap 1	20 Pcs.	500.0251	9010
58	Adaptor nut M33x2		500.0213	9010
59	Central adaptor KZ-2		501.0003	1095
60	Coupling nut M10x1, plastic	5 Pcs.	501.D536.5	1595
61	O-Ring 4x1	20 Pcs.	165.0002	9010
62	Trigger wire connector; female	20 Pcs.	175.0003	9010
74	Control cable with 4-pole Amphenol plug L=400 mm		175.D098	1595
74.1	Protective tube 4.5x0.5, L=60 mm		110.D023	1595
<b>Wear parts</b>				
80	Contact tip holder M16/M8/52 US	5 Pcs.	014.D745.5	1533
81	Contact tip holder D17/M8/53 for slip-on gas nozzle	5 Pcs.	014.H129.5	1533
	Contact tip holder D17/M8/51 cpl.; for pluggable gas nozzle XX7	5 Pcs.	014.H194.5	1533
90	Contact tip M8 E-Cu; Ø 0.8 (10x30)	10 Pcs.	140.0114	1030
90	Contact tip M8 E-Cu; Ø 1.0 (10x30)	10 Pcs.	140.0313	1030
90	Contact tip M8 E-Cu; Ø 1.2 (10x30)	10 Pcs.	140.0442	1030
90	Contact tip M8 E-Cu; Ø 1.4 (10x30)	10 Pcs.	140.0533	1030
90	Contact tip M8 E-Cu; Ø 1.6 (10x30)	10 Pcs.	140.0587	1030
90	Contact tip M8 CuCrZr; Ø 0.8 (10x30)	10 Pcs.	140.0117	1031
90	Contact tip M8 CuCrZr; Ø 1.0 (10x30)	10 Pcs.	140.0316	1031
90	Contact tip M8 CuCrZr; Ø 1.2 (10x30)	10 Pcs.	140.0445	1031
90	Contact tip M8 CuCrZr; Ø 1.4 (10x30)	10 Pcs.	140.0536	1031
90	Contact tip M8 CuCrZr; Ø 1.6 (10x30)	10 Pcs.	140.0590	1031
90	Contact tip M8 E-Cu; Ø 0.8 for alu wire (10x30)	10 Pcs.	141.0003	1030
90	Contact tip M8 E-Cu; Ø 1.0 for alu wire (10x30)	10 Pcs.	141.0008	1030
90	Contact tip M8 E-Cu; Ø 1.2 for alu wire (10x30)	10 Pcs.	141.0015	1030
90	Contact tip M8 E-Cu; Ø 1.4 for alu wire (10x30)	10 Pcs.	141.0055	1030
90	Contact tip M8 E-Cu; Ø 1.6 for alu wire (10x30)	10 Pcs.	141.0022	1030
90	Contact tip M8 CuCrZr silver-plated; Ø 0.8 (10x30)	10 Pcs.	147.0117	1031
90	Contact tip M8 CuCrZr silver-plated; Ø 1.0 (10x30)	10 Pcs.	147.0316	1031
90	Contact tip M8 CuCrZr silver-plated; Ø 1.2 (10x30)	10 Pcs.	147.0445	1031
90	Contact tip M8 CuCrZr silver-plated; Ø 1.4 (10x30)	10 Pcs.	147.0536	1031
90	Contact tip M8 CuCrZr silver-plated; Ø 1.6 (10x30)	10 Pcs.	147.0590	1031
90	Contact tip M8 HDS silver-plated; Ø 1.0 (10x30)	10 Pcs.	147.5316	5038
90	Contact tip M8 HDS silver-plated; Ø 1.2 (10x30)	10 Pcs.	147.5445	5038
90	Contact tip M8 HDS silver-plated; Ø 1.4 (10x30)	10 Pcs.	147.5536	5038
90	Contact tip M8 HDS silver-plated; Ø 1.6 (10x30)	10 Pcs.	147.5590	5038
100	Gas nozzle M16; ND 18; galvanized; conical L=72 mm	5 Pcs.	145.D021	1537
100	Gas nozzle M16; ND 18 blank; with extended insulation	5 Pcs.	145.D194	1537
	Gas nozzle M16; ND 16 galvanized; conical L=69 mm	5 Pcs.	145.D022	1537
	Gas nozzle M16; NW 14; galvanized; conical L=69 mm	5 Pcs.	145.D023	1537
	Gas nozzle M16; NW 18; galvanized; conical L=72 mm	5 Pcs.	145.D036	1537
	Gas nozzle M16; NW 16; galvanized; conical L=72 mm	5 Pcs.	145.D026	1537
	Gas nozzle M16; ND 15 blank; with extended insulation	5 Pcs.	145.D217	1537
	Gas nozzle M16; NW 12; galvanized; conical L=72 mm	5 Pcs.	145.D025	1537
	Gas nozzle M16; NW 10; galvanized; conical L=69 mm	5 Pcs.	145.D267	1537
102	Gas nozzle M16; ND 21 galvanized; cylindrical	5 Pcs.	145.D024	1537
102	Gas nozzle M16; NW 21; galvanized; cylindrical L=72 mm; with extended insulation	5 Pcs.	145.D353	1537

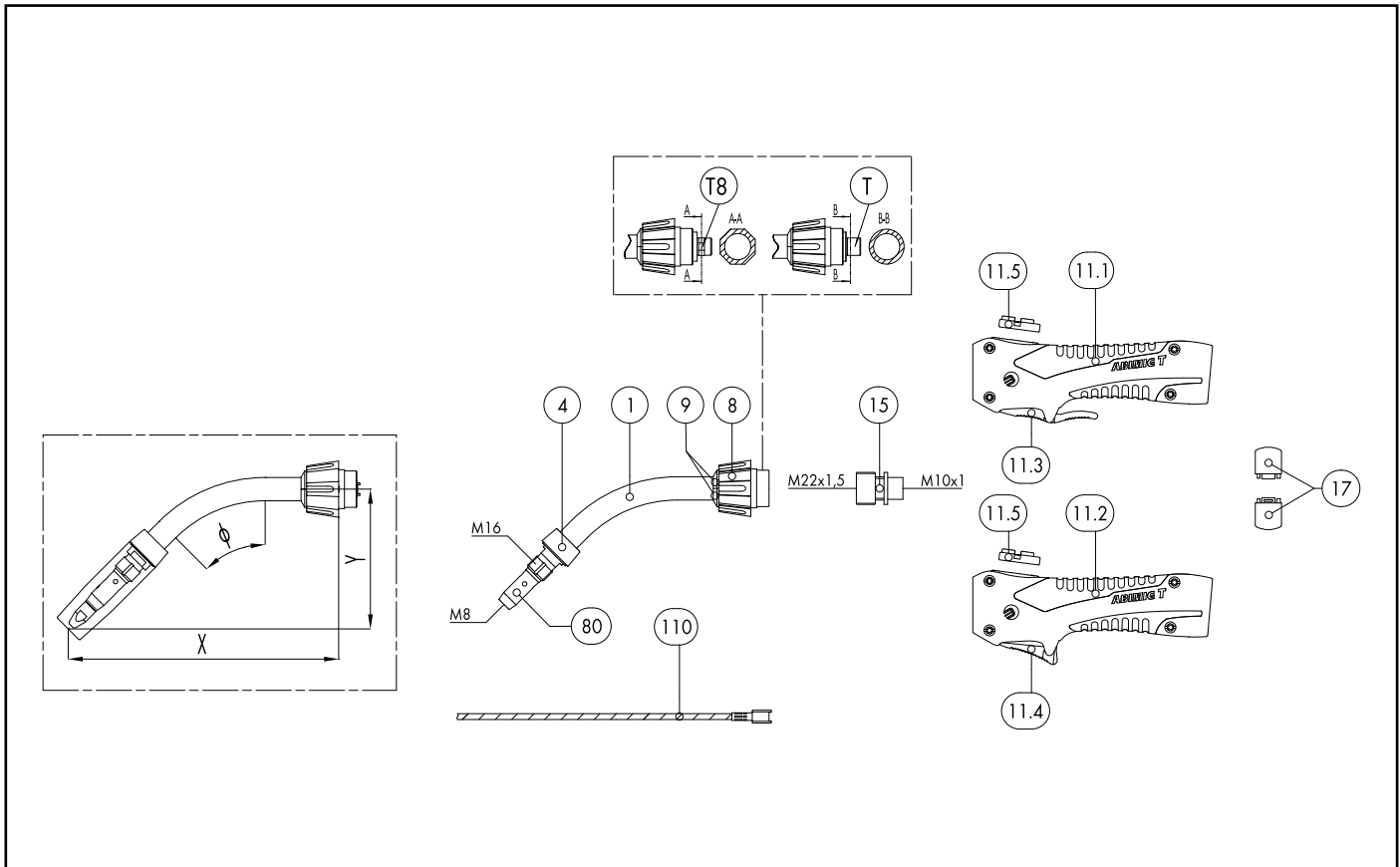
# MIG/MAG Welding Torches ABIMIG® A T 305 LW

Pos.	Description	Units	Part-No.	Product-group
103	Gas nozzle (slip-on) D15; ND 16 galvanized	5 Pcs.	145.D378.5	1537
	Gas nozzle pluggable D17; NW 13; galvanized; conical L=72 mm; with extended insulation	5 Pcs.	145.D438.5	1537
	Gas nozzle pluggable D17; NW 18; galvanized; conical L=72 mm; with extended insulation	5 Pcs.	145.D439.5	1537
104	Spot weld gas nozzle M16; NW 21; galvanized; L=91 mm		145.D028	1537
110	Neck liner 1.5; for wire Ø 0.6-1.0; for ABIMIG® T-Line		122.D037	1534
110	Neck liner 2.0; for wire Ø 1.0-1.2; for ABIMIG® T-Line		122.D038	1534
110	Neck liner 2.5; for wire Ø 1.2-1.4; for ABIMIG® T-Line		122.D039	1534
110	Neck liner 1.6; brass; for wire Ø 0.6-1.0; for ABIMIG® T-Line		122.D040	1534
110	Neck liner 2.2; brass; for wire Ø 1.0-1.4; for ABIMIG® T-Line		122.D041	1534
120	Guide spiral liner insulated; 1.5/4.5; blue; for wire Ø 0.6-0.8; for 3.00 m		124.0011	1034
120	Guide spiral liner insulated; 1.5/4.5; blue; for wire Ø 0.6-0.8; for 4.00 m		124.0012	1034
120	Guide spiral liner insulated; 1.5/4.5; blue; for wire Ø 0.6-0.8; for 5.00 m		124.0015	1034
120	Guide spiral liner insulated; 1.5/4.5; blue; wire-Ø 0.6-0.8; for 6.00 m		124.0016	1034
120	Guide spiral liner insulated; 2.0/4.5; red; for wire Ø 1.0-1.2; for 3.00 m		124.0026	1034
120	Guide spiral liner insulated; 2.0/4.5; red; for wire Ø 1.0-1.2; for 4.00 m		124.0031	1034
120	Guide spiral liner insulated; 2.0/4.5; red; for wire Ø 1.0-1.2; for 5.00 m		124.0035	1034
120	Guide spiral liner insulated; 2.0/4.5; red; wire-Ø 1.0-1.2; for 6.00 m		124.0036	1034
120	Guide spiral liner insulated; 2.5/4.5; yellow; for wire Ø 1.4-1.6; for 3.00 m		124.0041	1034
120	Guide spiral liner insulated; 2.5/4.5; yellow; for wire Ø 1.4-1.6; for 4.00 m		124.0042	1034
120	Guide spiral liner insulated; 2.5/4.5; yellow; for wire Ø 1.4-1.6; for 5.00 m		124.0044	1034
120	Guide spiral liner insulated; 2.5/4.5; yellow; wire Ø 1.4-1.6; for 6.00 m		124.0045	1034
130	PTFE core liner 1.5/4.0; blue; wire electrode Ø 0.8-1.0; for 3.00 m		126.0005	1034
130	PTFE core liner 1.5/4.0; blue; wire electrode Ø 0.8-1.0; for 4.00 m		126.0008	1034
130	PTFE core liner 1.5/4.0; blue; wire electrode Ø 0.8-1.0; for 5.00 m		126.0011	1034
130	PTFE core liner 1.5/4.0; blue; wire electrode Ø 0.6-1.0; for 8.00 m		126.0013	1034
130	PTFE core liner 2.0/4.0; red; wire electrode Ø 1.0-1.2; for 3.00 m		126.0021	1034
130	PTFE core liner 2.0/4.0; red; wire electrode Ø 1.0-1.2; for 4.00 m		126.0026	1034
130	PTFE core liner 2.0/4.0; red; wire electrode Ø 1.0-1.2; for 5.00 m		126.0028	1034
130	PTFE core liner 2.0/4.0; red; wire electrode Ø 0.8-1.2; for 8.00 m		126.0030	1034
130	PTFE carbon core liner 1.5/4.0; wire electrode Ø 0.8-1.0; for 3.00 m		127.0002	1034
130	PTFE carbon core liner 1.5/4.0; wire electrode Ø 0.8-1.0; for 4.00 m		127.0003	1034
130	PTFE carbon core liner 1.5/4.0; wire electrode Ø 0.8-1.0; for 5.00 m		127.0004	1034
130	PTFE carbon core liner 1.5/4.0; wire electrode Ø 0.6-1.0; for 8.00 m		127.0015	1034
130	PTFE carbon core liner 2.0/4.0; wire electrode Ø 1.0-1.2; for 3.00 m		127.0005	1034
130	PTFE carbon core liner 2.0/4.0; wire electrode Ø 1.0-1.2; for 4.00 m		127.0007	1034
130	PTFE carbon core liner 2.0/4.0; wire electrode Ø 1.0-1.2; for 5.00 m		127.0008	1034
130	PTFE carbon core liner 2.0/4.0; wire electrode Ø 0.8-1.2; for 8.00 m		127.0009	1034
131	Nipple for core liner at Ø 4.0	20 Pcs.	131.0001	1095
132	O-Ring 3.5x1.5	20 Pcs.	165.0008	9010
133	Guide tube for core liners up to Ø 4.0 (200 mm)	10 Pcs.	129.0461	1095
200	Spanner for ABIMIG®		191.D045	1595

# Notes

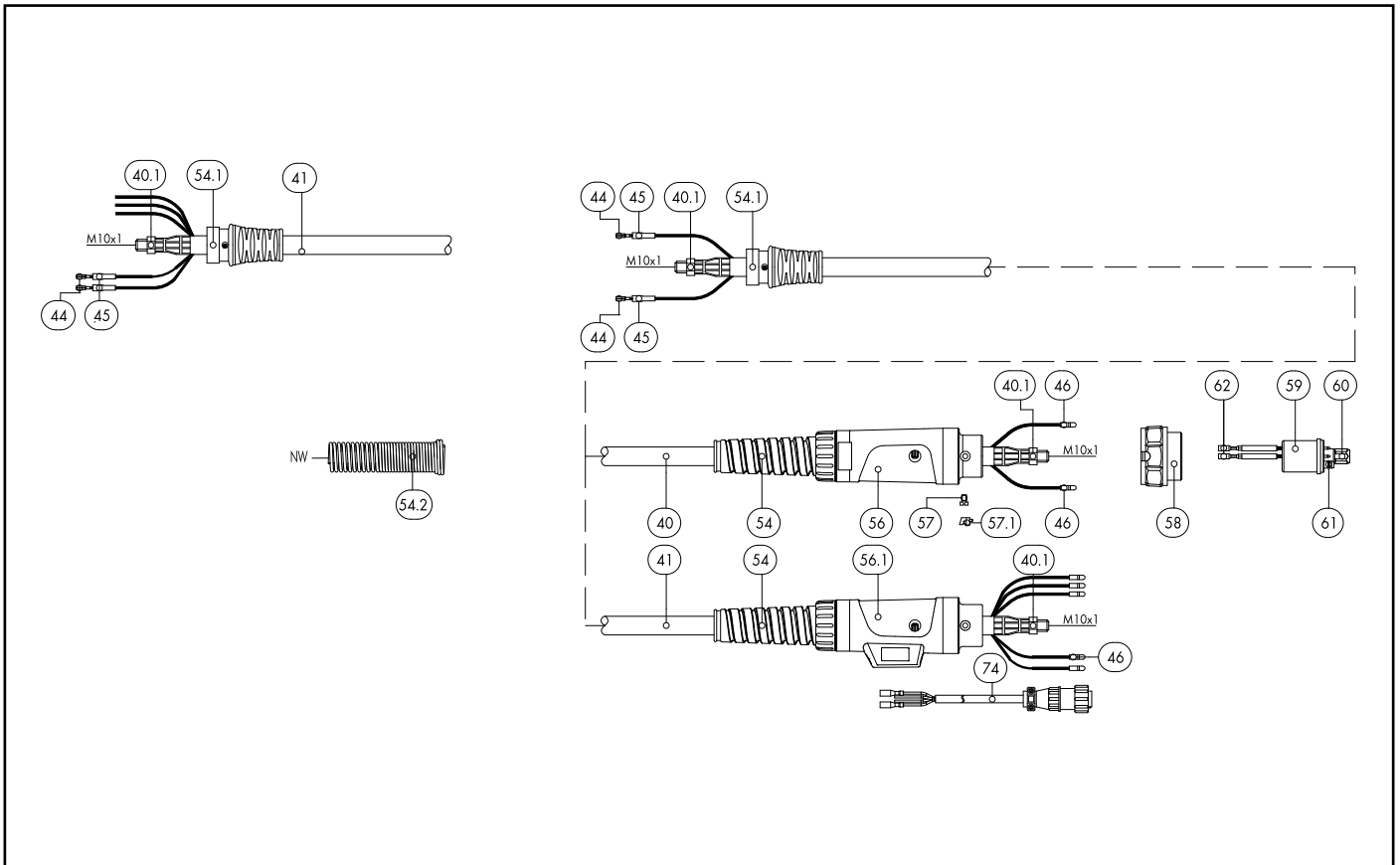


# MIG/MAG Welding Torches ABIMIG® A T 355 LW



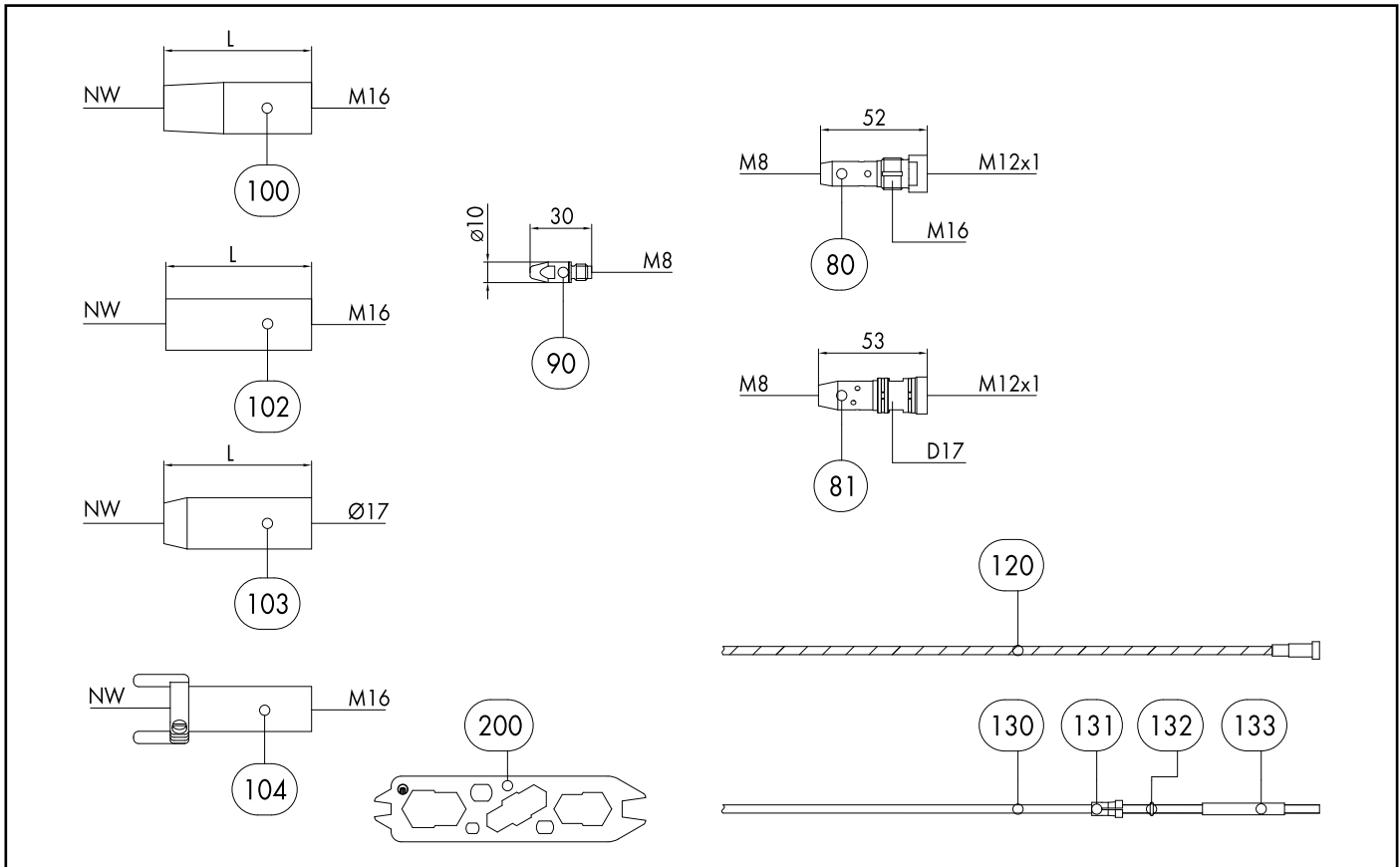
Pos.	Description	Units	Part-No.	Product-group
	<b>Basic torch (complete)</b>			
	ABIMIG® A T 355 LW; TM45°; central adaptor KZ-2; 3.00 m		014.H390.1	1324
	ABIMIG® A T 355 LW; TM45°; central adaptor KZ-2; 4.00 m		014.H391.1	1324
	ABIMIG® A T 355 LW; TM45°; central adaptor KZ-2; 5.00 m		014.H392.1	1324
	<b>Combi torch (basic torch without neck and wear parts)</b>			
	ABIMIG® A T G 355 LW; central adaptor KZ-2; 3.00 m		014.H544.1	1326
	ABIMIG® A T G 355 LW; central adaptor KZ-2; 4.00 m		014.H545.1	1326
	ABIMIG® A T G 355 LW; central adaptor KZ-2; 5.00 m		014.H546.1	1326
	<b>Swan neck</b>			
1	Swan neck ABIMIG® A 305 LW; 45° bent		014.H356.1	1308
1	Swan neck ABIMIG® A 355 LW; 45° bent		014.H363.1	1308
1	Swan neck ABIMIG® A T 305/355 T8M; 45°; X=185; Y=95		014.H370.1	1308
1	Swan neck ABIMIG® A T 305/355 TM; 45°; X=350; Y=95		014.H374.1	1308
1	Swan neck ABIMIG® A T 305/355 TM; 45°; X=500; Y=95		014.H380.1	1308
1	Swan neck ABIMIG® A T 305/355 TM; 60°; X=165; Y=110		014.H413.1	1308
1	Swan neck ABIMIG® A T 305/355 T8M; 60°; X=165; Y=110		014.H415.1	1308
1	Swan neck ABIMIG® A T 305/355K T8M; 45°; X=0160; Y=85		014.H588.1	1308
1	Swan neck ABIMIG® A T 355 T8M; 45°; X=350; Y=95		014.H555.1	1308
1	Swan neck ABIMIG® A T 355 T8M; 45°; X=500; Y=95		014.H560.1	1308
	Swan neck ABIMIG® A T 307K TM; 45°; X=135; Y=85; gas nozzle mated		014.H409.1	1308
	Swan neck ABIMIG® A T 307/357K TM; 45°; X=160; Y=85; gas nozzle mated		014.H387.1	1308
	Swan neck ABIMIG® A T 307/357 TM; 45°; X=185; Y=95; gas nozzle mated		014.H388.1	1308
	Swan neck ABIMIG® A T 307/357 T8M; 45°; X=185; Y=95; gas nozzle mated		014.H389.1	1308
	Swan neck ABIMIG® A T 307/357K T8M; 45°; X=160; Y=85; gas nozzle mated		014.H592.1	1308
	Swan neck ABIMIG® A T 307/357K TM; 45°; X=165; Y=110; gas nozzle mated		014.H594.1	1308
	Swan neck ABIMIG® A T 307/357 T8M; 60°; X=165; Y=110; gas nozzle mated		014.H595.1	1308

# MIG/MAG Welding Torches ABIMIG® A T 355 LW



Pos.	Description	Units	Part-No.	Product-group
	Swan neck ABIMIG® A T 307/357K T8M; 45°; X=165, Y=110; gas nozzle mated		014.H596.1	1308
	Swan neck ABIMIG® A T 357 T8M; 45°; X=360, Y=95; gas nozzle mated		014.H597.1	1308
	Swan neck ABIMIG® A T 357 TM; 45°; X=500, Y=95; gas nozzle mated		014.H398.1	1326
	Swan neck ABIMIG® A T 357 T8M; 45°; X=500; Y=95; gas nozzle mated		014.H399.1	1326
	COMBI swan neck A T 305/355K TM cpl.; 45°; X=160, Y=85; gas nozzle screwed		014.0469.1	1308
	COMBI swan neck A T 305/355K T8M cpl.; 45°; X=160, Y=85; gas nozzle screwed		014.0470.1	1308
	COMBI swan neck A T 305/355K TM cpl.; 60°; X=165, Y=110; gas nozzle screwed		014.0471.1	1308
	COMBI swan neck A T 305/355K T8M cpl.; 60°; X=165, Y=110; gas nozzle screwed		014.0472.1	1308
	COMBI swan neck A T 305/355K TM cpl.; 45°; X=185; Y=95; gas nozzle screwed		014.0473.1	1308
	COMBI swan neck A T 305/355K T8M cpl.; 45°; X=185, Y=95; gas nozzle screwed		014.0474.1	1308
	COMBI swan neck A T 305XL TM cpl.; 45°; X=350; Y=95; gas nozzle screwed		014.0475.1	1308
	COMBI swan neck A T 305XL T8M cpl.; 45°; X=350; Y=95; gas nozzle screwed		014.0476.1	1308
	COMBI swan neck A T 305XXL TM cpl.; 45°; X=500; Y=95; gas nozzle screwed		014.0477.1	1308
	COMBI swan neck A T 305XXL T8M cpl.; 45°; X=500; Y=95; gas nozzle screwed		014.0478.1	1308
4	Spacer	5 Pcs.	767.D668.5	1595
4	Spacer HD	5 Pcs.	767.D898.5	1595
8	Coupling nut M22x1.5		014.H279.1	1595
9	Protective cab (split) D=16 for round-neck nut	10 Pcs.	014.H282.10	1595
<b>Handle</b>				
11.1	Handle ABIMIG® A T with push-button long		180.D077.1	1595
11.1	Handle ABIMIG® A T with push-button long (without module BIS-52)		180.D079.1	1595
11.2	Handle ABIMIG® A T with push-button short		180.D078.1	1595
11.2	Handle ABIMIG® A T with push-button short (without module BIS-52)		180.D080.1	1595
11.3	Trigger long 2-pole		185.D118.1	1595
11.4	Trigger short 2-pole		185.D120.1	1595
11.5	Blind cover		400.D573.1	1595

# MIG/MAG Welding Torches ABIMIG® A T 355 LW



Pos.	Description	Units	Part-No.	Product-group
15	Torch pipe connection M22x1.5 / M10x1		014.H354.1	1595
17	Half rings (1 pair)	2 Pcs.	400.D561.2	1595
<b>Cable assembly</b>				
40	Bikox® LW power cable, R7 for 3.00 m		160.H046.1	1511
40	Bikox® LW power cable, R7 for 4.00 m		160.H047.1	1511
40	Bikox® LW cable assembly; R7 2-pole for 4.50 m		160.H248.1	1511
40	Bikox® LW power cable, R7 for 5.00 m		160.H048.1	1511
40	Bikox® LW cable assembly; R7 2-pole for 6.00 m		160.H397.1	1511
40	Bikox® LW cable assembly; R7 5-pol. Up/Down for 3.00 m		160.H374.1	1511
40	Bikox® LW cable assembly; R7 5-pol. Up/Down for 4.00 m		160.H375.1	1511
40	Bikox® LW cable assembly; R7 5-pol. Up/Down for 4.50 m		160.H440.1	1511
40	Bikox® LW cable assembly; R7 5-pol. Up/Down for 5.00 m		160.H376.1	1511
40	Bikox® LW cable assembly; R7 5-pol. Up/Down for 6.00 m		160.H441.1	1511
40.1	Hexagon nut M10x1	10 Pcs.	001.0009	9010
44	Trigger wire connector	20 Pcs.	175.0022	9010
45	Insulating sleeve	20 Pcs.	400.0119	1095
46	Plug	20 Pcs.	175.0004	9010
54	Cable support ND 19		400.1010	1095
54.1	Cable support ABIMIG® A T LW (short)		400.D574.1	1595
54.1	Cable support NW 21		400.D518.1	1595
54.1	Cable support spring NW 22		501.D501	1595
56	Cable support machine side		501.2248	9010
57	Pan head screw M4x6	20 Pcs.	000.0552	9010
57.1	Screw cap 1	20 Pcs.	500.0251	9010
58	Adaptor nut M33x2		500.0213	9010
59	Central adaptor KZ-2		501.0003	1095



# MIG/MAG Welding Torches ABIMIG® A T 355 LW

Pos.	Description	Units	Part-No.	Product-group
60	Coupling nut M10x1, plastic	5 Pcs.	501.D536.5	1595
61	O-Ring 4x1	20 Pcs.	165.0002	9010
62	Trigger wire connector; female	20 Pcs.	175.0003	9010
74	Control cable with 4-pole Amphenol plug L=400 mm		175.D098	1595
74.1	Protective tube 4.5x0.5, L=60 mm		110.D023	1595
<b>Wear parts</b>				
80	Contact tip holder M16/M8/52 US	5 Pcs.	014.D745.5	1533
81	Contact tip holder D17/M8/53 for slip-on gas nozzle	5 Pcs.	014.H129.5	1533
	Contact tip holder D17/M8/51 cpl.; for pluggable gas nozzle XX7	5 Pcs.	014.H194.5	1533
90	Contact tip M8 E-Cu; Ø 0.8 (10x30)	10 Pcs.	140.0114	1030
90	Contact tip M8 E-Cu; Ø 1.0 (10x30)	10 Pcs.	140.0313	1030
90	Contact tip M8 E-Cu; Ø 1.2 (10x30)	10 Pcs.	140.0442	1030
90	Contact tip M8 E-Cu; Ø 1.4 (10x30)	10 Pcs.	140.0533	1030
90	Contact tip M8 E-Cu; Ø 1.6 (10x30)	10 Pcs.	140.0587	1030
90	Contact tip M8 CuCrZr; Ø 0.8 (10x30)	10 Pcs.	140.0117	1031
90	Contact tip M8 CuCrZr; Ø 1.0 (10x30)	10 Pcs.	140.0316	1031
90	Contact tip M8 CuCrZr; Ø 1.2 (10x30)	10 Pcs.	140.0445	1031
90	Contact tip M8 CuCrZr; Ø 1.4 (10x30)	10 Pcs.	140.0536	1031
90	Contact tip M8 CuCrZr; Ø 1.6 (10x30)	10 Pcs.	140.0590	1031
90	Contact tip M8 E-Cu; Ø 0.8 for alu wire (10x30)	10 Pcs.	141.0003	1030
90	Contact tip M8 E-Cu; Ø 1.0 for alu wire (10x30)	10 Pcs.	141.0008	1030
90	Contact tip M8 E-Cu; Ø 1.2 for alu wire (10x30)	10 Pcs.	141.0015	1030
90	Contact tip M8 E-Cu; Ø 1.4 for alu wire (10x30)	10 Pcs.	141.0055	1030
90	Contact tip M8 E-Cu; Ø 1.6 for alu wire (10x30)	10 Pcs.	141.0022	1030
90	Contact tip M8 CuCrZr silver-plated; Ø 0.8 (10x30)	10 Pcs.	147.0117	1031
90	Contact tip M8 CuCrZr silver-plated; Ø 1.0 (10x30)	10 Pcs.	147.0316	1031
90	Contact tip M8 CuCrZr silver-plated; Ø 1.2 (10x30)	10 Pcs.	147.0445	1031
90	Contact tip M8 CuCrZr silver-plated; Ø 1.4 (10x30)	10 Pcs.	147.0536	1031
90	Contact tip M8 CuCrZr silver-plated; Ø 1.6 (10x30)	10 Pcs.	147.0590	1031
90	Contact tip M8 HDS silver-plated; Ø 1.0 (10x30)	10 Pcs.	147.5316	5038
90	Contact tip M8 HDS silver-plated; Ø 1.2 (10x30)	10 Pcs.	147.5445	5038
90	Contact tip M8 HDS silver-plated; Ø 1.4 (10x30)	10 Pcs.	147.5536	5038
90	Contact tip M8 HDS silver-plated; Ø 1.6 (10x30)	10 Pcs.	147.5590	5038
100	Gas nozzle M16; ND 18; galvanized; conical L=72 mm	5 Pcs.	145.D021	1537
100	Gas nozzle M16; ND 18 blank; with extended insulation	5 Pcs.	145.D194	1537
	Gas nozzle M16; ND 16 galvanized; conical L=69 mm	5 Pcs.	145.D022	1537
	Gas nozzle M16; NW 14; galvanized; conical L=69 mm	5 Pcs.	145.D023	1537
	Gas nozzle M16; NW 16; galvanized; conical L=72 mm	5 Pcs.	145.D026	1537
	Gas nozzle M16; ND 15 blank; with extended insulation	5 Pcs.	145.D217	1537
	Gas nozzle M16; NW 12; galvanized; conical L=72 mm	5 Pcs.	145.D025	1537
	Gas nozzle M16; NW 10; galvanized; conical L=69 mm	5 Pcs.	145.D267	1537
102	Gas nozzle M16; ND 21 galvanized; cylindrical	5 Pcs.	145.D024	1537
102	Gas nozzle M16; NW 21; galvanized; cylindrical L=72 mm; with extended insulation	5 Pcs.	145.D353	1537
103	Gas nozzle (slip-on) D15; ND 16 galvanized	5 Pcs.	145.D378.5	1537
103	Gas nozzle pluggable D17; NW 18; galvanized; conical L=72 mm; with extended insulation	5 Pcs.	145.D439.5	1537
103	Gas nozzle pluggable D17; NW 13; galvanized; conical L=72 mm; with extended insulation	5 Pcs.	145.D438.5	1537
104	Spot weld gas nozzle M16; NW 21; galvanized; L=91 mm		145.D028	1537
110	Neck liner 2.0; for wire Ø 1.0-1.2; for ABIMIG® T-Line		122.D038	1534
110	Neck liner 2.5; for wire Ø 1.2-1.4; for ABIMIG® T-Line		122.D039	1534
110	Neck liner 2.7; for wire Ø 1.2-1.6; for ABIMIG® T-Line		122.D045	1534

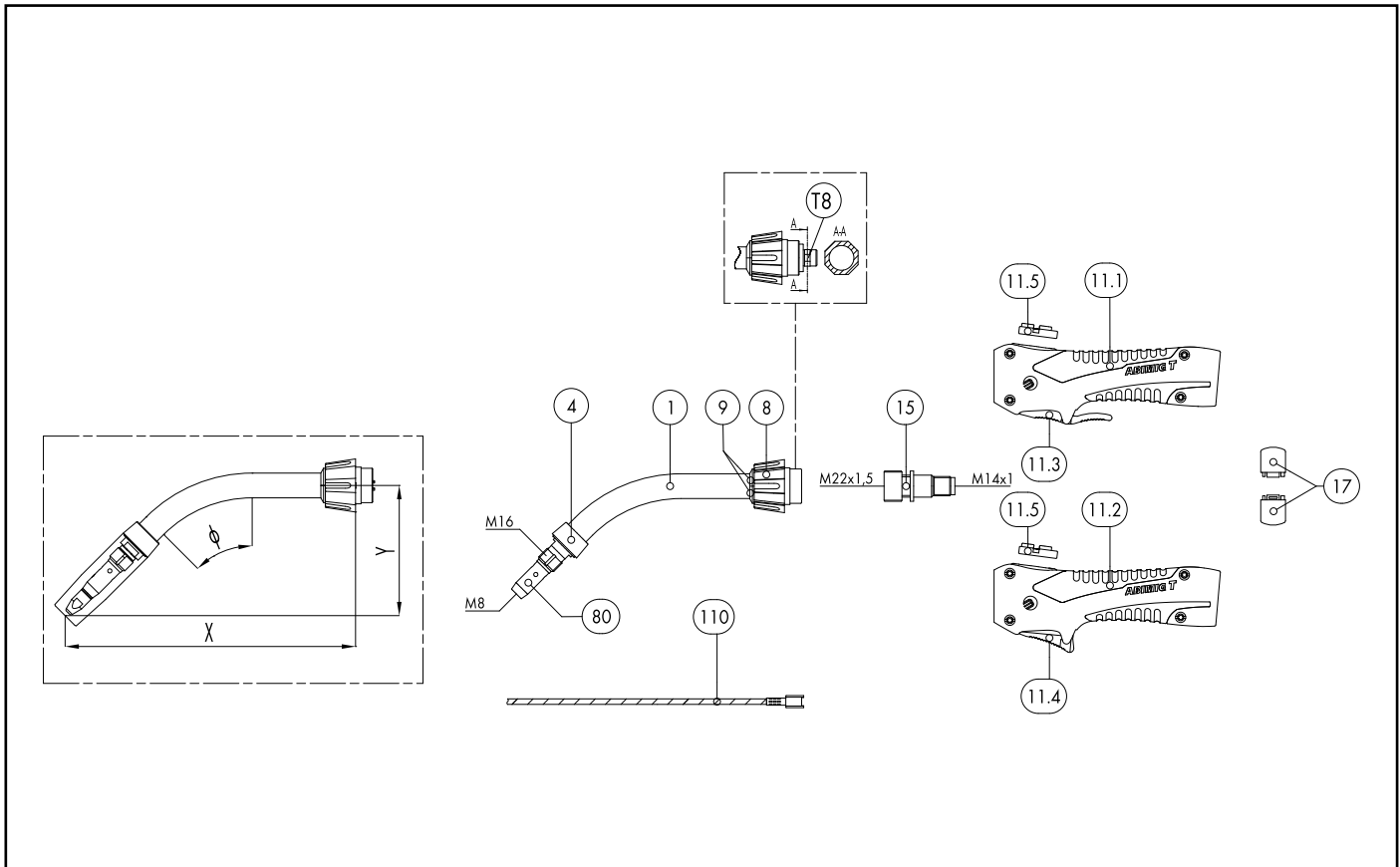
# MIG/MAG Welding Torches ABIMIG® A T 355 LW

Pos.	Description	Units	Part-No.	Product-group
110	Neck liner 1.6; brass; for wire Ø 0.6–1.0; for ABIMIG® T-Line		122.D040	1534
110	Neck liner 2.2; brass; for wire Ø 1.0–1.4; for ABIMIG® T-Line		122.D041	1534
120	Guide spiral liner insulated; 2.0/4.5; red; for wire Ø 1.0–1.2; for 3.00 m		124.0026	1034
120	Guide spiral liner insulated; 2.0/4.5; red; for wire Ø 1.0–1.2; for 4.00 m		124.0031	1034
120	Guide spiral liner insulated; 2.0/4.5; red; for wire Ø 1.0–1.2; for 5.00 m		124.0035	1034
120	Guide spiral liner insulated; 2.0/4.5; red; wire-Ø 1.0–1.2; for 6.00 m		124.0036	1034
120	Guide spiral liner insulated; 2.5/4.5; yellow; for wire Ø 1.4–1.6; for 3.00 m		124.0041	1034
120	Guide spiral liner insulated; 2.5/4.5; yellow; for wire Ø 1.4–1.6; for 4.00 m		124.0042	1034
120	Guide spiral liner insulated; 2.5/4.5; yellow; for wire Ø 1.4–1.6; for 5.00 m		124.0044	1034
120	Guide spiral liner insulated; 2.5/4.5; yellow; wire Ø 1.4–1.6; for 6.00 m		124.0045	1034
130	PTFE core liner 2.0/4.0; red; wire electrode Ø 1.0–1.2; for 3.00 m		126.0021	1034
130	PTFE core liner 2.0/4.0; red; wire electrode Ø 1.0–1.2; for 4.00 m		126.0026	1034
130	PTFE core liner 2.0/4.0; red; wire electrode Ø 1.0–1.2; for 5.00 m		126.0028	1034
130	PTFE core liner 2.0/4.0; red; wire electrode Ø 0.8–1.2; for 8.00 m		126.0030	1034
130	PTFE core liner 2.7/4.7; yellow; wire electrode Ø 1.6; for 3.00 m		126.0039	1034
130	PTFE core liner 2.7/4.7; yellow; wire electrode Ø 1.6; for 4.00 m		126.0042	1034
130	PTFE core liner 2.7/4.7; yellow; wire electrode Ø 1.6; for 5.00 m		126.0045	1034
130	PTFE core liner 2.7/4.7; yellow; wire electrode Ø 1.4–1.6; for 8.00 m		126.0047	1034
130	PTFE carbon core liner 2.0/4.0; wire electrode Ø 1.0–1.2; for 3.00 m		127.0005	1034
130	PTFE carbon core liner 2.0/4.0; wire electrode Ø 1.0–1.2; for 4.00 m		127.0007	1034
130	PTFE carbon core liner 2.0/4.0; wire electrode Ø 1.0–1.2; for 5.00 m		127.0008	1034
130	PTFE carbon core liner 2.0/4.0; wire electrode Ø 0.8–1.2; for 8.00 m		127.0009	1034
130	PTFE carbon core liner 2.7/4.7; wire electrode Ø 1.6; for 3.00 m		127.0010	1034
130	PTFE carbon core liner 2.7/4.7; wire electrode Ø 1.6; for 4.00 m		127.0012	1034
130	PTFE carbon core liner 2.7/4.7; wire electrode Ø 1.6; for 5.00 m		127.0013	1034
130	PTFE carbon core liner 2.7/4.7; wire electrode Ø 1.4–1.6; for 8.00 m		127.0014	1034
131	Nipple for core liner at Ø 4.0	20 Pcs.	131.0001	1095
131	Nipple for core liner at Ø 4.7	20 Pcs.	131.0002	1095
132	O-Ring 3.5x1.5	20 Pcs.	165.0008	9010
133	Guide tube for core liners up to Ø 4.0 (200 mm)	10 Pcs.	129.0461	1095
200	Spanner for ABIMIG®		191.D045	1595

# Notes

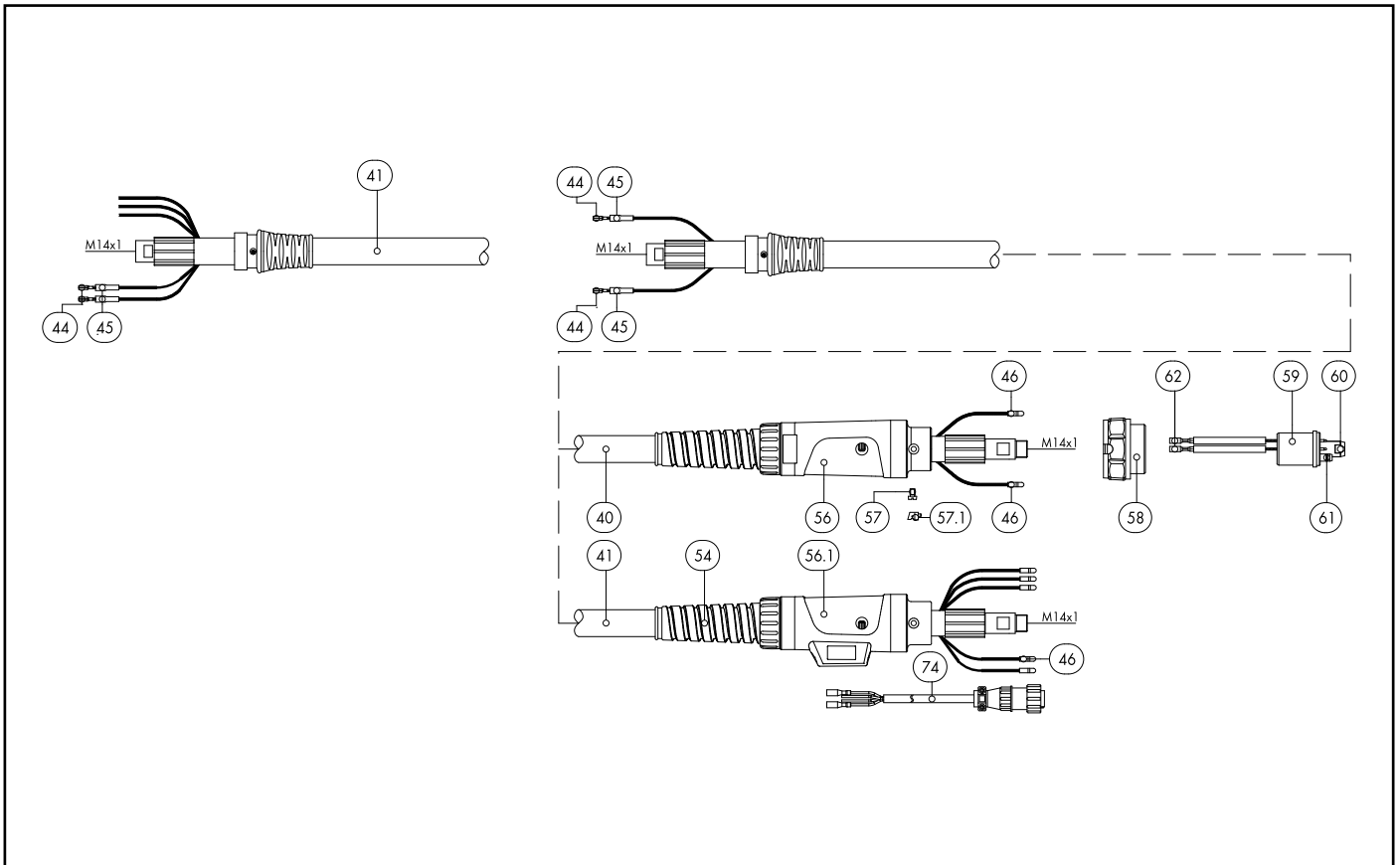


# MIG/MAG Welding Torches ABIMIG® A T 405 LW



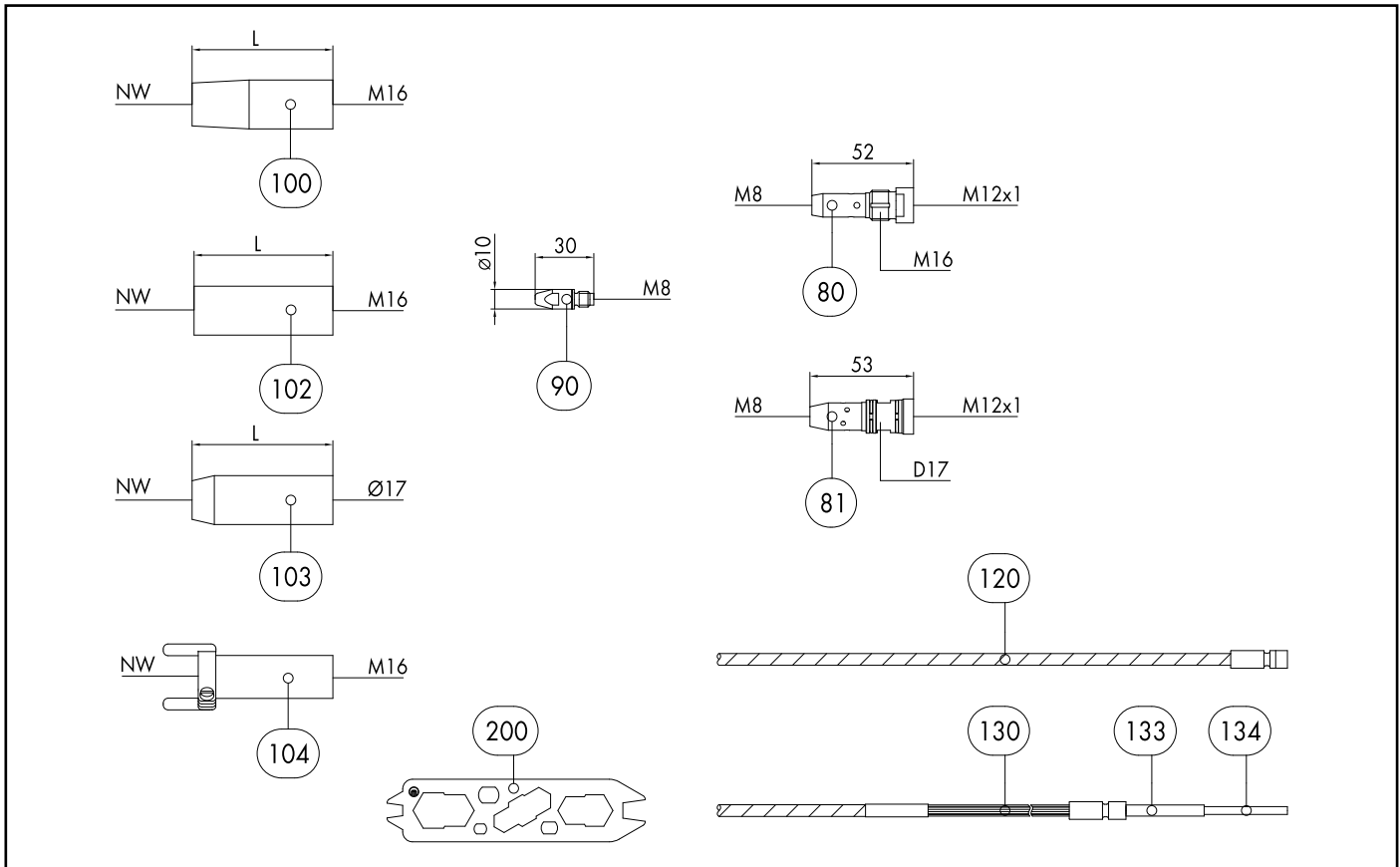
Pos.	Description	Units	Part-No.	Product-group
<b>Basic torch (complete)</b>				
	ABIMIG® A T 405 LW; T8M45°; central adaptor KZ-2; 3.00 m		015.D070.1	1324
	ABIMIG® A T 405 LW; T8M45°; central adaptor KZ-2; 4.00 m		015.D071.1	1324
	ABIMIG® A T 405 LW; T8M45°; central adaptor KZ-2; 5.00 m		015.D072.1	1324
<b>Combi torch (basic torch without neck and wear parts)</b>				
	ABIMIG® A T G 405 LW; central adaptor KZ-2; 3.00 m		015.D114.1	1326
	ABIMIG® A T G 405 LW; central adaptor KZ-2; 4.00 m		015.D115.1	1326
	ABIMIG® A T G 405 LW; central adaptor KZ-2; 5.00 m		015.D116.1	1326
<b>Swan neck</b>				
1	Swan neck ABIMIG® A 405 LW; 45° bent		015.D082.1	1308
1	Swan neck ABIMIG® A T 405K T8M; 45°; X=185; Y=95; gas nozzle screwed		015.D117.1	1308
	Swan neck ABIMIG® A T 407 T8M; 45°; X=210; Y=95; gas nozzle mated		015.D089.1	1308
	Swan neck ABIMIG® A T 405K T8M; 45°; X=195; Y=95; gas nozzle mated		015.D123.1	1308
	COMBI swan neck A T 405 K T8M cpl.; 45°; X=185; Y=95; gas nozzle screwed		015.0088.1	1308
	COMBI swan neck A T 405 T8M cpl.; 45°; X=210; Y=95; gas nozzle screwed		015.0089.1	1308
4	Head insulation	5 Pcs.	015.D080.5	1595
4	Spacer	5 Pcs.	015.D081.5	1595
8	Coupling nut M22x1.5		014.H279.1	1595
9	Protective cap (split) D=18 for round-neck nut	10 Pcs.	014.H283.10	1595
<b>Handle</b>				
11.1	Handle ABIMIG® A T with push-button long		180.D077.1	1595
11.1	Handle ABIMIG® A T with push-button long (without module BIS-52)		180.D079.1	1595
11.2	Handle ABIMIG® A T with push-button short		180.D078.1	1595
11.2	Handle ABIMIG® A T with push-button short (without module BIS-52)		180.D080.1	1595
11.3	Trigger long 2-pole		185.D118.1	1595
11.4	Trigger short 2-pole		185.D120.1	1595

# MIG/MAG Welding Torches ABIMIG® A T 405 LW



Pos.	Description	Units	Part-No.	Product-group
11.5	Blind cover		400.D573.1	1595
15	Torch pipe connection M22x1.5 / M14x1		016.D392.1	1595
17	Half rings (1 pair)	2 Pcs.	400.D561.2	1595
<b>Cable assembly</b>				
40	Bikox® LW power cable, R9 for 3.00 m		160.H344.1	1511
40	Bikox® LW power cable, R9 for 4.00 m		160.H345.1	1511
40	Bikox® LW cable assembly; R9 2-pole for 4.50 m		160.H377.1	1511
40	Bikox® LW power cable, R9 for 5.00 m		160.H346.1	1511
40	Bikox® LW cable assembly; R9 2-pole for 4.50 m		160.H442.1	1511
40	Bikox® LW cable assembly, R9 5-pole Up/Down for 3.00 m		160.H347.1	1511
40	Bikox® LW cable assembly, R9 5-pole Up/Down for 4.00 m		160.H348.1	1511
40	Bikox® LW cable assembly, R9 5-pole Up/Down for 4.50 m		160.H443.1	1511
40	Bikox® LW cable assembly, R9 5-pole Up/Down for 5.00 m		160.H349.1	1511
40	Bikox® LW cable assembly, R9 5-pole Up/Down for 6.00 m		160.H444.1	1511
44	Trigger wire connector	20 Pcs.	175.0022	9010
45	Insulating sleeve	20 Pcs.	400.0119	1095
46	Plug	20 Pcs.	175.0004	9010
54	Cable support NW 21		400.D518.1	1595
54.1	Cable support ABIMIG® A T LW (short)		400.D574.1	1595
54.1	Cable support NW 21		400.D518.1	1595
54.1	Cable support spring NW 22		400.D501.1	1595
56	Cable support machine side		501.2248	9010
56.1	Connection housing machine side cpl.; for UNI-plug		501.D578.1	1595
57	Pan head screw M4x6	20 Pcs.	000.0552	9010
57.1	Screw cap 1	20 Pcs.	500.0251	9010
58	Adaptor nut M33x2		500.0213	9010

# MIG/MAG Welding Torches ABIMIG® A T 405 LW



Pos.	Description	Units	Part-No.	Product-group
59	Central adaptor KZ-2		501.D687.1	1595
60	Coupling nut M14x1, plastic	5 Pcs.	501.D537.5	1595
61	O-Ring 4x1	20 Pcs.	165.0002	9010
62	Trigger wire connector; female	20 Pcs.	175.0003	9010
74	Control cable with 4-pole Amphenol plug L=400 mm		175.D098	1595
74.1	Protective tube 4.5x0.5, L=60 mm		110.D023	1595
<b>Wear parts</b>				
80	Contact tip holder M16/M8/52 US	5 Pcs.	014.D745.5	1533
81	Contact tip holder D17/M8/53 for slip-on gas nozzle	5 Pcs.	014.H129.5	1533
	Contact tip holder D17/M8/51 cpl.; for pluggable gas nozzle XX7	5 Pcs.	014.H194.5	1533
90	Contact tip M8 E-Cu; Ø 1.0 (10x30)	10 Pcs.	140.0313	1030
90	Contact tip M8 E-Cu; Ø 1.2 (10x30)	10 Pcs.	140.0442	1030
90	Contact tip M8 E-Cu; Ø 1.4 (10x30)	10 Pcs.	140.0533	1030
90	Contact tip M8 E-Cu; Ø 1.6 (10x30)	10 Pcs.	140.0587	1030
90	Contact tip M8 E-Cu; Ø 2.0 (10x30)	10 Pcs.	140.0653	1030
90	Contact tip M8 E-Cu; Ø 2.4 (10x30)	10 Pcs.	140.0677	1030
90	Contact tip M8 CuCrZr; Ø 1.0 (10x30)	10 Pcs.	140.0316	1031
90	Contact tip M8 CuCrZr; Ø 1.2 (10x30)	10 Pcs.	140.0445	1031
90	Contact tip M8 CuCrZr; Ø 1.4 (10x30)	10 Pcs.	140.0536	1031
90	Contact tip M8 CuCrZr; Ø 1.6 (10x30)	10 Pcs.	140.0590	1031
90	Contact tip M8 CuCrZr; Ø 2.0 (10x30)	10 Pcs.	140.0656	1031
90	Contact tip M8 CuCrZr; Ø 2.4 (10x30)	10 Pcs.	140.0679	1031
90	Contact tip M8 E-Cu; Ø 1.0 for alu wire (10x30)	10 Pcs.	141.0008	1030
90	Contact tip M8 E-Cu; Ø 1.2 for alu wire (10x30)	10 Pcs.	141.0015	1030
90	Contact tip M8 E-Cu; Ø 1.4 for alu wire (10x30)	10 Pcs.	141.0055	1030
90	Contact tip M8 E-Cu; Ø 1.6 for alu wire (10x30)	10 Pcs.	141.0022	1030

# MIG/MAG Welding Torches ABIMIG® A T 405 LW

Pos.	Description	Units	Part-No.	Product-group
90	Contact tip M8 E-Cu; Ø 2.0 for alu wire (10x30)	10 Pcs.	141.0033	1030
90	Contact tip M8 E-Cu; Ø 2.4 for alu wire (10x30)	10 Pcs.	141.0035	1030
90	Contact tip M8 CuCrZr silver-plated; Ø 1.0 (10x30)	10 Pcs.	147.0316	1031
90	Contact tip M8 CuCrZr silver-plated; Ø 1.2 (10x30)	10 Pcs.	147.0445	1031
90	Contact tip M8 CuCrZr silver-plated; Ø 1.4 (10x30)	10 Pcs.	147.0536	1031
90	Contact tip M8 CuCrZr silver-plated; Ø 1.6 (10x30)	10 Pcs.	147.0590	1031
90	Contact tip M8 CuCrZr silver-plated; Ø 2.0 (10x30)	10 Pcs.	147.0656	1031
90	Contact tip M8 CuCrZr silver-plated; Ø 2.4 (10x30)	10 Pcs.	147.0679	1031
90	Contact tip M8 HDS silver-plated; Ø 1.0 (10x30)	10 Pcs.	147.5316	5038
90	Contact tip M8 HDS silver-plated; Ø 1.2 (10x30)	10 Pcs.	147.5445	5038
90	Contact tip M8 HDS silver-plated; Ø 1.4 (10x30)	10 Pcs.	147.5536	5038
90	Contact tip M8 HDS silver-plated; Ø 1.6 (10x30)	10 Pcs.	147.5590	5038
100	Gas nozzle M16; ND 18; galvanized; conical L=72 mm	5 Pcs.	145.D021	1537
100	Gas nozzle M16; ND 18 blank; with extended insulation	5 Pcs.	145.D194	1537
	Gas nozzle M16; ND 16 galvanized; conical L=69 mm	5 Pcs.	145.D022	1537
	Gas nozzle M16; NW 14; galvanized; conical L=69 mm	5 Pcs.	145.D023	1537
	Gas nozzle M16; NW 16; galvanized; conical L=72 mm	5 Pcs.	145.D026	1537
	Gas nozzle M16; NW 18; galvanized; conical L=72 mm	5 Pcs.	145.D036	1537
	Gas nozzle M16; ND 15 blank; with extended insulation	5 Pcs.	145.D217	1537
	Gas nozzle M16; NW 12; galvanized; conical L=72 mm	5 Pcs.	145.D025	1537
	Gas nozzle M16; NW 10; galvanized; conical L=69 mm	5 Pcs.	145.D267	1537
102	Gas nozzle M16; ND 21 galvanized; cylindrical	5 Pcs.	145.D024	1537
102	Gas nozzle M16; NW 21; galvanized; cylindrical L=72 mm; with extended insulation	5 Pcs.	145.D353	1537
103	Gas nozzle (slip-on) D15; ND 16 galvanized	5 Pcs.	145.D378.5	1537
103	Gas nozzle pluggable D17; NW 18; galvanized; conical L=72 mm; with extended insulation	5 Pcs.	145.D439.5	1537
103	Gas nozzle pluggable D17; NW 13; galvanized; conical L=72 mm; with extended insulation	5 Pcs.	145.D438.5	1537
104	Spot weld gas nozzle M16; NW 21; galvanized; L=91 mm		145.D028	1537
110	Neck liner 1.9; for wire Ø 1.0-1.2; for ABIMIG® T-Line		122.D077	1534
110	Neck liner 2.2; for wire Ø 1.4-1.6; for ABIMIG® T-Line		122.D078	1534
120	Guide spiral liner insulated; 1.9/5.5; red; for wire Ø 1.0-1.2; for 3.00 m		124.D113	1534
120	Guide spiral liner insulated; 1.9/5.5; red; for wire Ø 1.0-1.2; for 4.00 m		124.D114	1534
120	Guide spiral liner insulated; 1.9/5.5; red; for wire Ø 1.0-1.2; for 5.00 m		124.D115	1534
120	Guide spiral liner insulated; 2.0/5.5; red; wire Ø 1.0-1.2; for 6.00 m		124.D156.1	1534
120	Guide spiral liner insulated; 2.2/6.0; white; for wire Ø 1.4-1.6; for 3.00 m		124.D116	1534
120	Guide spiral liner insulated; 2.2/6.0; white; for wire Ø 1.4-1.6; for 4.00 m		124.D117	1534
120	Guide spiral liner insulated; 2.2/6.0; white; for wire Ø 1.4-1.6; for 5.00 m		124.D118	1534
120	Guide spiral liner insulated; 2.2/6.0; white; wire Ø 1.4-1.6; for 6.00 m		124.D144.1	1534
120	Guide spiral liner insulated; 3.0/6.4; blue; for wire Ø 2.0-2.4; for 3.00 m		124.D119	1534
120	Guide spiral liner insulated; 3.0/6.4; blue; for wire Ø 2.0-2.4; for 4.00 m		124.D120	1534
120	Guide spiral liner insulated; 3.0/6.4; blue; for wire Ø 2.0-2.4; for 5.00 m		124.D121	1534
120	Guide spiral liner insulated; 3.0/6.4; blue; wire Ø 2.0-2.4; for 6.00 m		124.D157.1	1534
130	Combined wire guide cpl.P; wire Ø 1.0; for 3.00 m		126.D026.1	1534
130	Combined wire guide cpl.P; wire Ø 1.0; for 4.00 m		126.D027.1	1534
130	Combined wire guide cpl.P; wire Ø 1.0; for 5.00 m		126.D028.1	1534
130	Combined wire guide P; wire-Ø 1.0-1.2; řřr 6.00 m		126.D058.1	1534
130	Combined wire guide cpl.P; wire Ø 1.2-1.4; for 3.00 m		126.D029.1	1534
130	Combined wire guide cpl.P; wire Ø 1.2-1.4; for 4.00 m		126.D030.1	1534
130	Combined wire guide cpl.P; wire Ø 1.2-1.4; for 5.00 m		126.D031.1	1534
130	Combined wire guide cpl.P; wire Ø 1.0; for 4.00 m		126.D027.1	1534
133	Guide tube for core liners up to Ø 4.0 (200 mm)	10 Pcs.	129.0461	1095







## MIG/MAG Welding Torches **ABIMIG® GRIP W** liquid cooled

### “Big performance and optimal handling”

The MIG/MAG Welding Torches ABIMIG® GRIP W liquid cooled with the innovative 2 component handle system “GRIP” combine ergonomics and feel with all common module variations (for switch and control functions) as well as “switch on top” solutions. “GRIP” insert and ball joint in the handle guarantee secure grip and optimal handling.

The liquid cooled ABIMIG® GRIP W torches particularly excel in impulse welding due to an optimized dual-circuit cooling system that ensures “extra-cool” wear parts and therefore extended service life.

- Dual-circuit cooling system with increased cooling liquid flow and novel heat dissipation for optimal power and heat conduction – guarantees less spatter adhesion and therefore extremely extended service life of wear and spare parts
- Additional torch neck protection through a UV, ozone and temperature resistant protective cover – for longer torch service life
- The newly developed torch neck and handle system ABIMIG® GRIP with ball joint guarantees optimal balance – even for welding tasks when access is difficult
- Specially designed spare and wear parts for the highperformance application range – excellent results especially in pulse arc welding

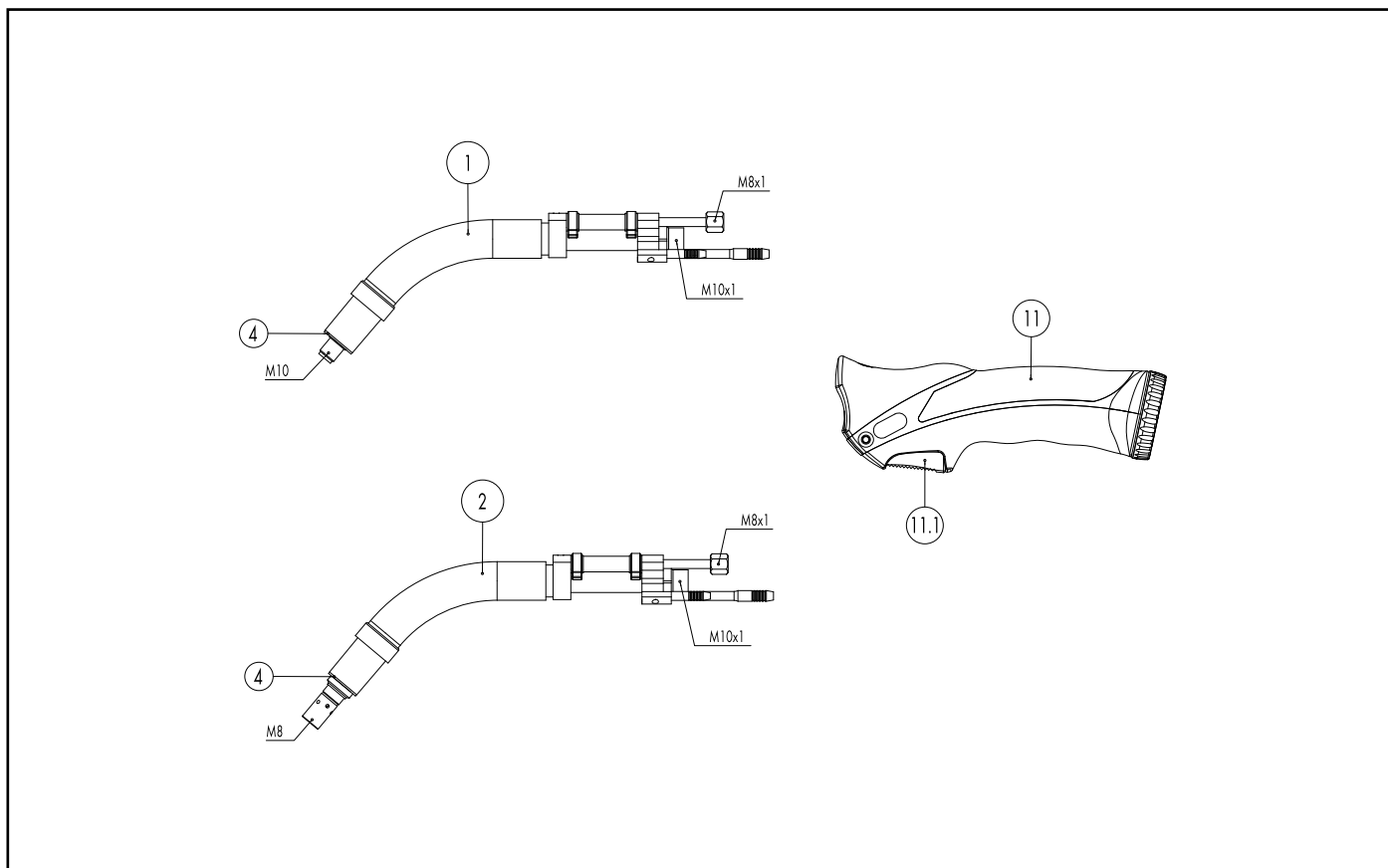
#### Technical data (EN 60 974-7)

#### MIG/MAG Welding Torches “ABIMIG® GRIP W” (liquid cooled)

Type	Rating (A)		Duty cycle (%)	Wire size (mm)
	CO <sub>2</sub>	Mixed gases M21		
<b>ABIMIG® GRIP W 555 D</b>	550	500	100	0.8-1.6
<b>ABIMIG® GRIP W 555</b>	575	525	100	0.8-1.6
<b>ABIMIG® GRIP W 605</b>	625	575	100	1.0-1.6
<b>ABIMIG® GRIP W 605 D</b>	600	550	100	1.0-1.6
<b>ABIMIG® GRIP W 605 C</b>	600	550	100	1.0-1.6

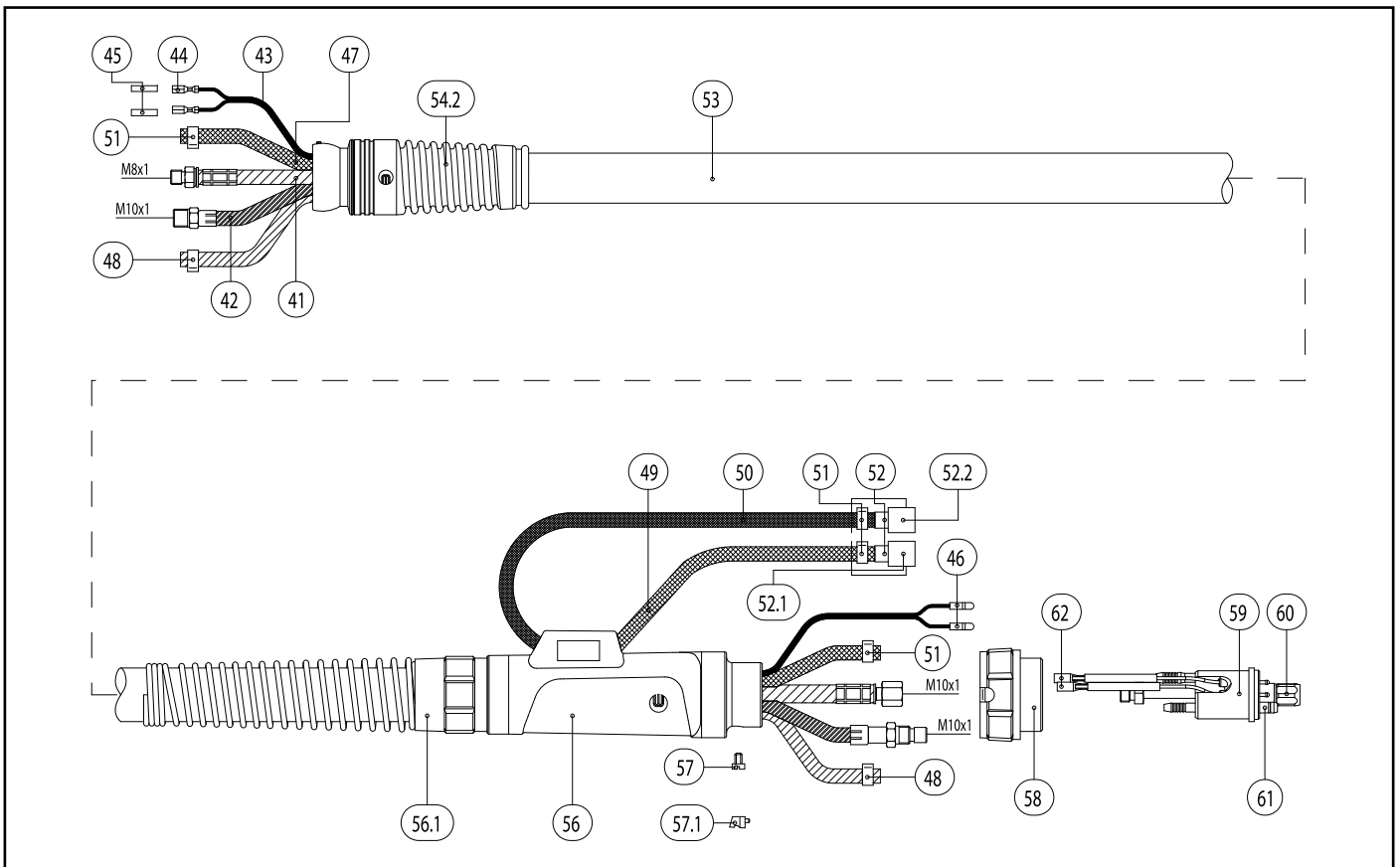
Subject to change without notice.

# MIG/MAG Welding Torches ABIMIG® GRIP W 555 / 555 D



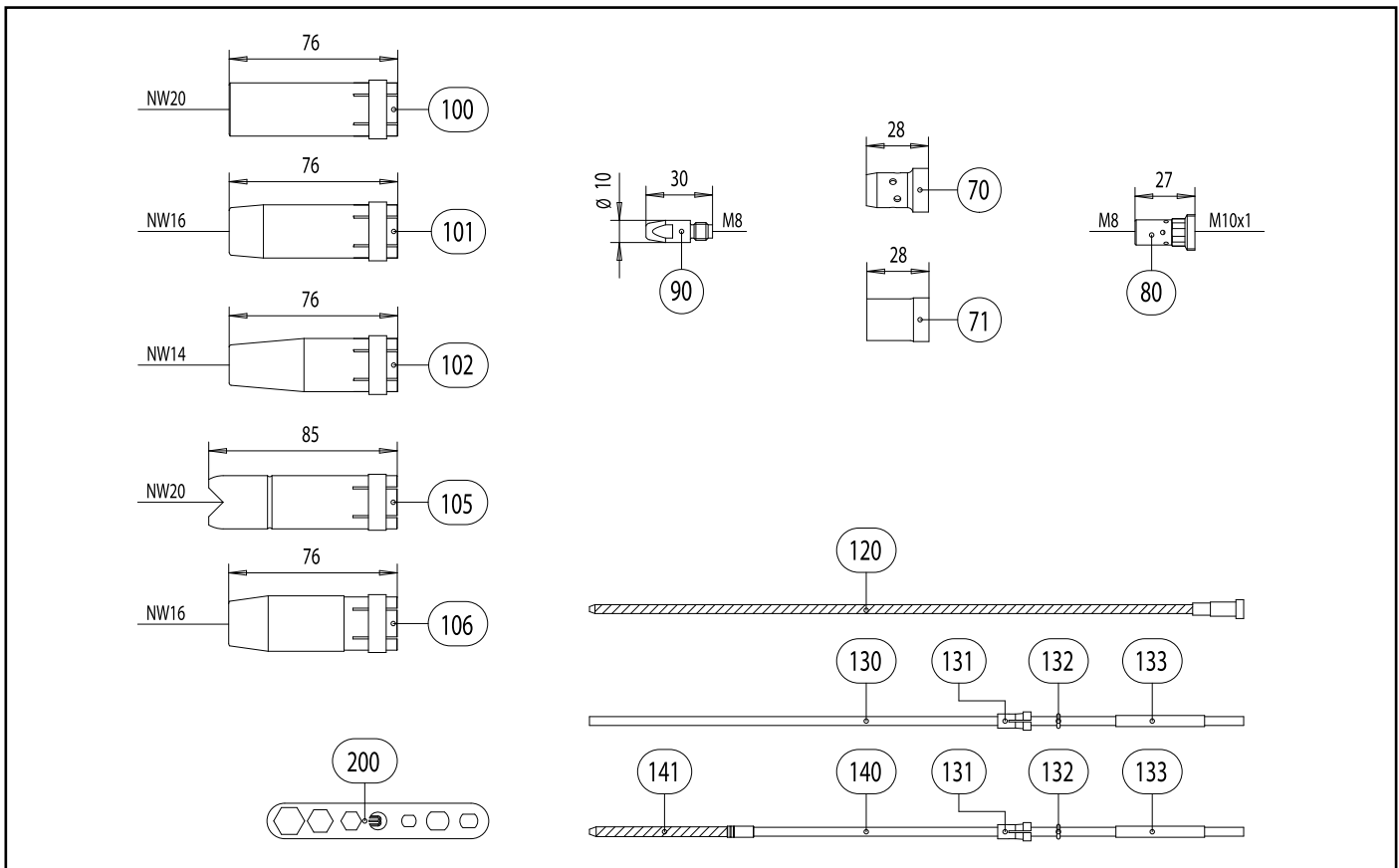
Pos.	Description	Units	Part-No.	Product-group
<b>Torch (D-Version)</b>				
	ABIMIG® GRIP W 555 D; type S; central adaptor WZ-2; 3.00 m		766.0526.1	1317
	ABIMIG® GRIP W 555 D; type S; central adaptor WZ-2; 4.00 m		766.0527.1	1317
	ABIMIG® GRIP W 555 D; type S; central adaptor WZ-2; 5.00 m		766.0528.1	1317
<b>Torch</b>				
	ABIMIG® GRIP W 555; type S; central adaptor WZ-2; 3.00 m		766.0529.1	1317
	ABIMIG® GRIP W 555; type S; central adaptor WZ-2; 4.00 m		766.0530.1	1317
	ABIMIG® GRIP W 555; type S; central adaptor WZ-2; 5.00 m		766.0531.1	1317
<b>Swan neck (D-Version)</b>				
1	Swan neck ABIMIG® GRIP W 555 D; 50° bent		766.0532.1	1309
<b>Swan neck</b>				
2	Swan neck ABIMIG® GRIP W 555; 50° bent		766.0533.1	1309
4	Insulator	20 Pcs.	766.0230	1395
<b>Handle GRIP</b>				
11	Handle GRIP type S with trigger cpl.		180.0132.1	1395
11.1	Trigger 2-pole GRIP	5 Pcs.	185.0107.5	1395
<b>Cable assembly</b>				
41	Power cable ABIMIG® GRIP / RAB GRIP (PVC) for 3.00 m		115.0581	1012
41	Power cable ABIMIG® GRIP / RAB GRIP (PVC) for 4.00 m		115.0582	1012
41	Power cable ABIMIG® GRIP / RAB GRIP (PVC) for 5.00 m		115.0583	1012
42	Wire conduit ABIMIG® GRIP / MB GRIP cpl. for 3.00 m		156.0275	1012
42	Wire conduit ABIMIG® GRIP / MB GRIP cpl. for 4.00 m		156.0276	1012
42	Wire conduit ABIMIG® GRIP / MB GRIP cpl. for 5.00 m		156.0277	1012
43	Control cable 2-pole	200 m	100.0019	4050
44	Trigger wire connector	20 Pcs.	175.0022	9010
45	Insulating sleeve	20 Pcs.	400.0119	1095

# MIG/MAG Welding Torches ABIMIG® GRIP W 555 / 555 D



Pos.	Description	Units	Part-No.	Product-group
46	Plug	20 Pcs.	175.0004	9010
47	Hose 30 black Ø 4.9x1.5	100 m	109.0040	4050
48	Hose clamp Ø 8.7 mm	100 Pcs.	171.0002	9010
49	Hose 47 blue Ø 5.5x1.5	100 m	109.0057	4050
50	Hose 46 red Ø 5.5x1.5	100 m	109.0056	4050
51	Hose clamp Ø 9.0 mm with ring (mark 9.5)	100 Pcs.	173.0001	9010
52	Plug nipple ND 5 mm / Ø 6.0 mm	20 Pcs.	501.0114	9010
52.1	Fastener cap blue	20 Pcs.	501.2424	1095
52.2	Fastener cap red	20 Pcs.	501.2423	1095
53	Outer cover with cable support Ø 25x1.5 for 3.00 m		107.0079	1095
53	Outer cover with cable support Ø 25x1.5 for 4.00 m		107.0044	1095
53	Outer cover with cable support Ø 25x1.5 for 5.00 m		107.0080	1095
	Outer cover Ø 25x1.5	40 m	107.0004	4050
54.2	Ball joint cable protection MB GRIP / ABIMIG® GRIP W (liquid cooled)		400.1392.1	1095
	Inner ring for ABIMIG® / ABIMIG® GRIP / MB GRIP (liquid cooled)		400.0790	1095
56	Cable support machine side big cpl. ND 31		500.0342	9010
56.1	Cable support spring		500.0233	9010
56.1	Biclip inside		400.0328	9010
56.1	Biclip outside		400.0329	9010
57	Pan head screw M4x6	20 Pcs.	000.0552	9010
57.1	Screw cap 1	20 Pcs.	500.0251	9010
58	Adaptor nut M33x2		500.0213	9010
59	Central adaptor WZ-2		501.0015	9010
60	Coupling nut M10x1	10 Pcs.	501.0082	9010
61	O-Ring 4x1	20 Pcs.	165.0002	9010
62	Trigger wire connector; female	20 Pcs.	175.0003	9010

# MIG/MAG Welding Torches ABIMIG® GRIP W 555 / 555 D



## Pos. Description

## Units

## Part-No.

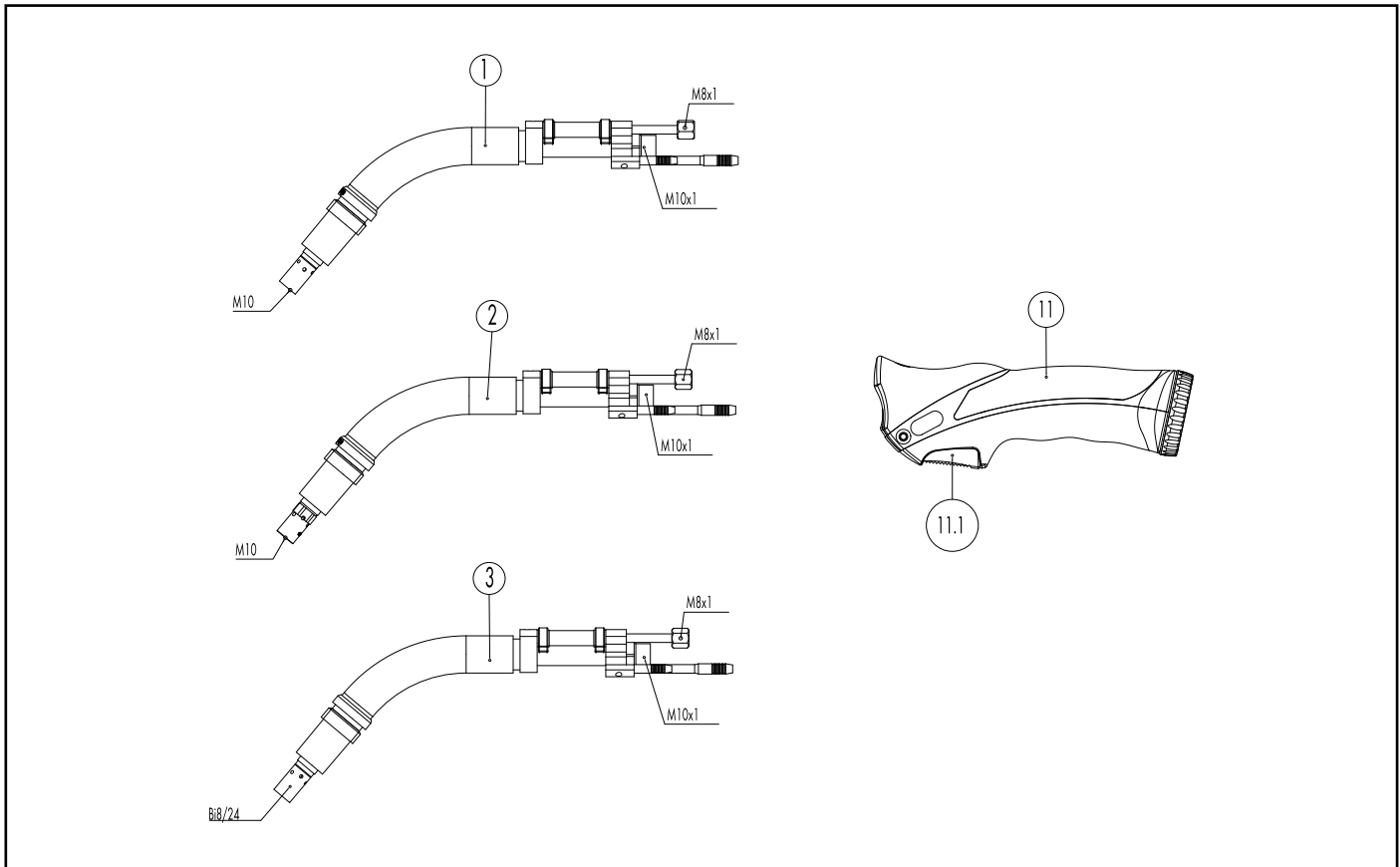
## Product-group

Pos.	Description	Units	Part-No.	Product-group
<b>Wear parts ABIMIG® GRIP W 555 D / 555</b>				
70	Gas diffuser, white	10 Pcs.	030.0145	1032
70	Gas diffuser, long life	10 Pcs.	030.0037	1032
70	Gas diffuser, ceramic	10 Pcs.	030.0190	1032
71	Nozzle insulator	10 Pcs.	146.0013	1032
<b>Wear parts ABIMIG® GRIP W 555 D</b>				
80	Contact tip holder M8; 27.0 mm; CuCrZr	10 Pcs.	142.0201.10	1033
<b>Wear parts ABIMIG® GRIP W 555 D / 555</b>				
90	Contact tip M8 E-Cu; Ø 0.8 (10x30)	10 Pcs.	140.0114	1030
90	Contact tip M8 E-Cu; Ø 1.0 (10x30)	10 Pcs.	140.0313	1030
90	Contact tip M8 E-Cu; Ø 1.2 (10x30)	10 Pcs.	140.0442	1030
90	Contact tip M8 E-Cu; Ø 1.6 (10x30)	10 Pcs.	140.0587	1030
90	Contact tip M8 CuCrZr; Ø 0.8 (10x30)	10 Pcs.	140.0117	1031
90	Contact tip M8 CuCrZr; Ø 1.0 (10x30)	10 Pcs.	140.0316	1031
90	Contact tip M8 CuCrZr; Ø 1.2 (10x30)	10 Pcs.	140.0445	1031
90	Contact tip M8 CuCrZr; Ø 1.6 (10x30)	10 Pcs.	140.0590	1031
90	Contact tip M8 E-Cu; Ø 0.8 for alu wire (10x30)	10 Pcs.	141.0003	1030
90	Contact tip M8 E-Cu; Ø 1.0 for alu wire (10x30)	10 Pcs.	141.0008	1030
90	Contact tip M8 E-Cu; Ø 1.2 for alu wire (10x30)	10 Pcs.	141.0015	1030
90	Contact tip M8 E-Cu; Ø 1.6 for alu wire (10x30)	10 Pcs.	141.0022	1030
90	Contact tip M8 CuCrZr silver-plated; Ø 0.8 (10x30)	10 Pcs.	147.0117	1031
90	Contact tip M8 CuCrZr silver-plated; Ø 1.0 (10x30)	10 Pcs.	147.0316	1031
90	Contact tip M8 CuCrZr silver-plated; Ø 1.2 (10x30)	10 Pcs.	147.0445	1031
90	Contact tip M8 CuCrZr silver-plated; Ø 1.6 (10x30)	10 Pcs.	147.0590	1031
100	Gas nozzle; cylindrical; ND Ø 20.0	10 Pcs.	145.0051	1037
101	Gas nozzle; conical; ND Ø 16.0	10 Pcs.	145.0085	1037

# MIG/MAG Welding Torches ABIMIG® GRIP W 555 / 555 D

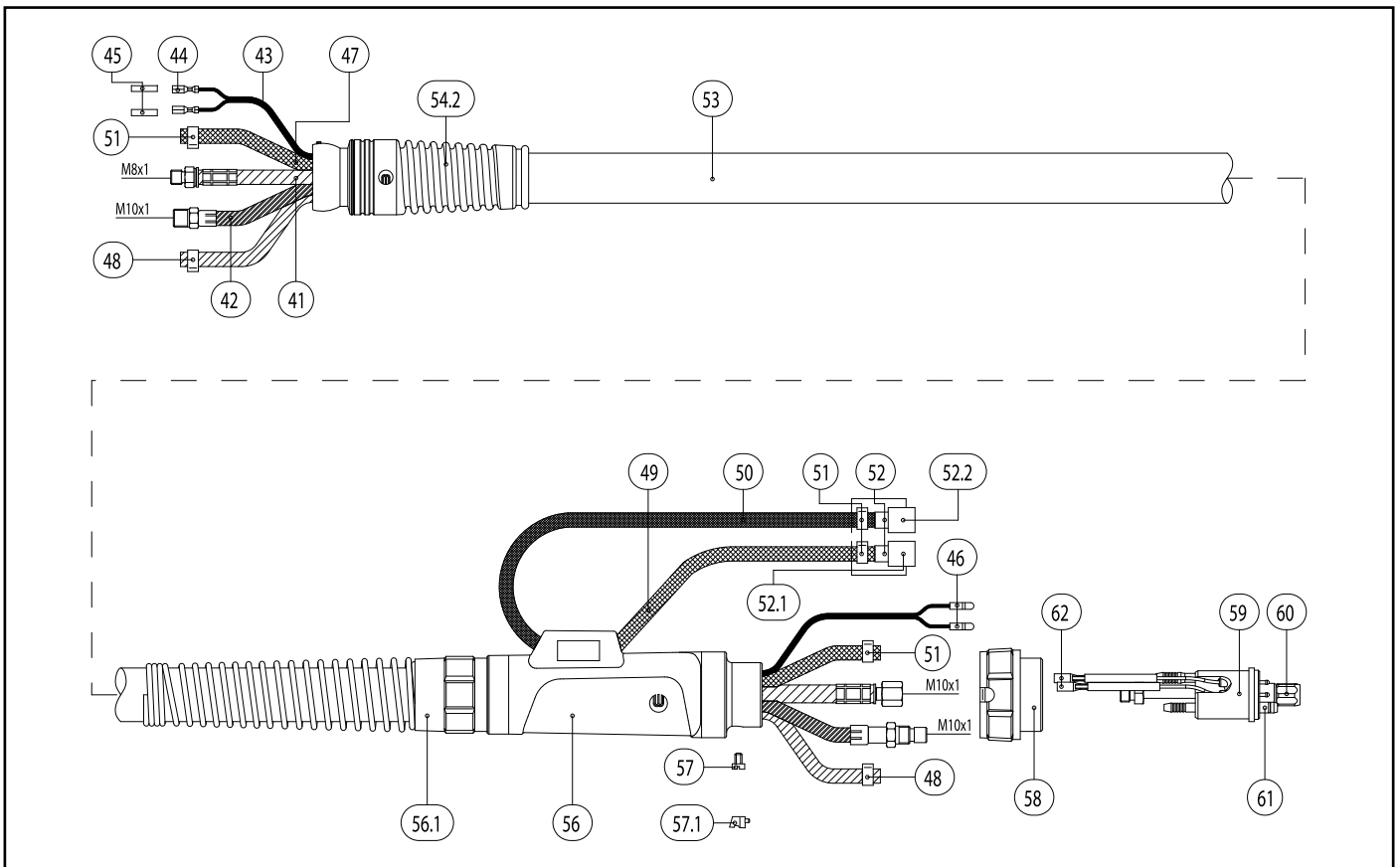
Pos.	Description	Units	Part-No.	Product-group
102	Gas nozzle; tapered; ND Ø 14.0	10 Pcs.	145.0132	1037
105	Spot weld gas nozzle; ND Ø 20.0	10 Pcs.	145.0179	1037
106	Gas nozzle; heavy duty; ND Ø 16.0 (only use with nozzle insulator)	10 Pcs.	145.0086	1037
120	Guide spiral liner insulated; 1.5/4.0; blue; for wire Ø 0.8; for 3.00 m		124.0137	1334
120	Guide spiral liner insulated; 1.5/4.0; blue; for wire Ø 0.8; for 4.00 m		124.0138	1334
120	Guide spiral liner insulated; 1.5/4.0; blue; for wire Ø 0.8; for 5.00 m		124.0139	1334
120	Guide spiral liner insulated; 2.0/4.5; red; for wire Ø 1.0-1.2; for 3.00 m		124.0111	1334
120	Guide spiral liner insulated; 2.0/4.5; red; for wire Ø 1.0-1.2; for 4.00 m		124.0112	1334
120	Guide spiral liner insulated; 2.0/4.5; red; for wire Ø 1.0-1.2; for 5.00 m		124.0113	1334
120	Guide spiral liner insulated; 2.5/4.5; yellow; for wire Ø 1.6; for 3.00 m		124.0114	1334
120	Guide spiral liner insulated; 2.5/4.5; yellow; for wire Ø 1.6; for 4.00 m		124.0115	1334
120	Guide spiral liner insulated; 2.5/4.5; yellow; for wire Ø 1.6; for 5.00 m		124.0116	1334
130	PTFE core liner 1.5/4.0; blue; wire electrode Ø 0.8-1.0; for 3.00 m		126.0005	1034
130	PTFE core liner 1.5/4.0; blue; wire electrode Ø 0.8-1.0; for 4.00 m		126.0008	1034
130	PTFE core liner 1.5/4.0; blue; wire electrode Ø 0.8-1.0; for 5.00 m		126.0011	1034
130	PTFE core liner 2.0/4.0; red; wire electrode Ø 1.0-1.2; for 3.00 m		126.0021	1034
130	PTFE core liner 2.0/4.0; red; wire electrode Ø 1.0-1.2; for 4.00 m		126.0026	1034
130	PTFE core liner 2.0/4.0; red; wire electrode Ø 1.0-1.2; for 5.00 m		126.0028	1034
130	PTFE core liner 2.7/4.7; yellow; wire electrode Ø 1.6; for 3.00 m		126.0039	1034
130	PTFE core liner 2.7/4.7; yellow; wire electrode Ø 1.6; for 4.00 m		126.0042	1034
130	PTFE core liner 2.7/4.7; yellow; wire electrode Ø 1.6; for 5.00 m		126.0045	1034
130	PTFE carbon core liner 1.5/4.0; wire electrode Ø 0.8-1.0; for 3.00 m		127.0002	1034
130	PTFE carbon core liner 1.5/4.0; wire electrode Ø 0.8-1.0; for 4.00 m		127.0003	1034
130	PTFE carbon core liner 1.5/4.0; wire electrode Ø 0.8-1.0; for 5.00 m		127.0004	1034
130	PTFE carbon core liner 2.0/4.0; wire electrode Ø 1.0-1.2; for 3.00 m		127.0005	1034
130	PTFE carbon core liner 2.0/4.0; wire electrode Ø 1.0-1.2; for 4.00 m		127.0007	1034
130	PTFE carbon core liner 2.0/4.0; wire electrode Ø 1.0-1.2; for 5.00 m		127.0008	1034
130	PTFE carbon core liner 2.7/4.7; wire electrode Ø 1.6; for 3.00 m		127.0010	1034
130	PTFE carbon core liner 2.7/4.7; wire electrode Ø 1.6; for 4.00 m		127.0012	1034
130	PTFE carbon core liner 2.7/4.7; wire electrode Ø 1.6; for 5.00 m		127.0013	1034
131	Nipple for core liner at Ø 4.0	20 Pcs.	131.0001	1095
131	Nipple for core liner at Ø 4.7	20 Pcs.	131.0002	1095
132	O-Ring 3.5x1.5	20 Pcs.	165.0008	9010
133	Guide tube for core liners up to Ø 4.0 (200 mm)	10 Pcs.	129.0461	1095
140	Combined wire guide cpl. polyamide/brass; wire Ø 1.0-1.2; for 3.00 m		128.M002	1034
140	Combined wire guide cpl. polyamide/brass; wire Ø 1.0-1.2; for 4.00 m		128.M003	1034
140	Combined wire guide cpl. polyamide/brass; wire Ø 1.0-1.2; for 5.00 m		128.M004	1034
141	Brass spiral made up with sleeve (200 mm)	10 Pcs.	001.0305	1095
200	Spanner Standard		191.0001	9010

# MIG/MAG Welding Torches ABIMIG® GRIP W 605 / 605 C / 605 D



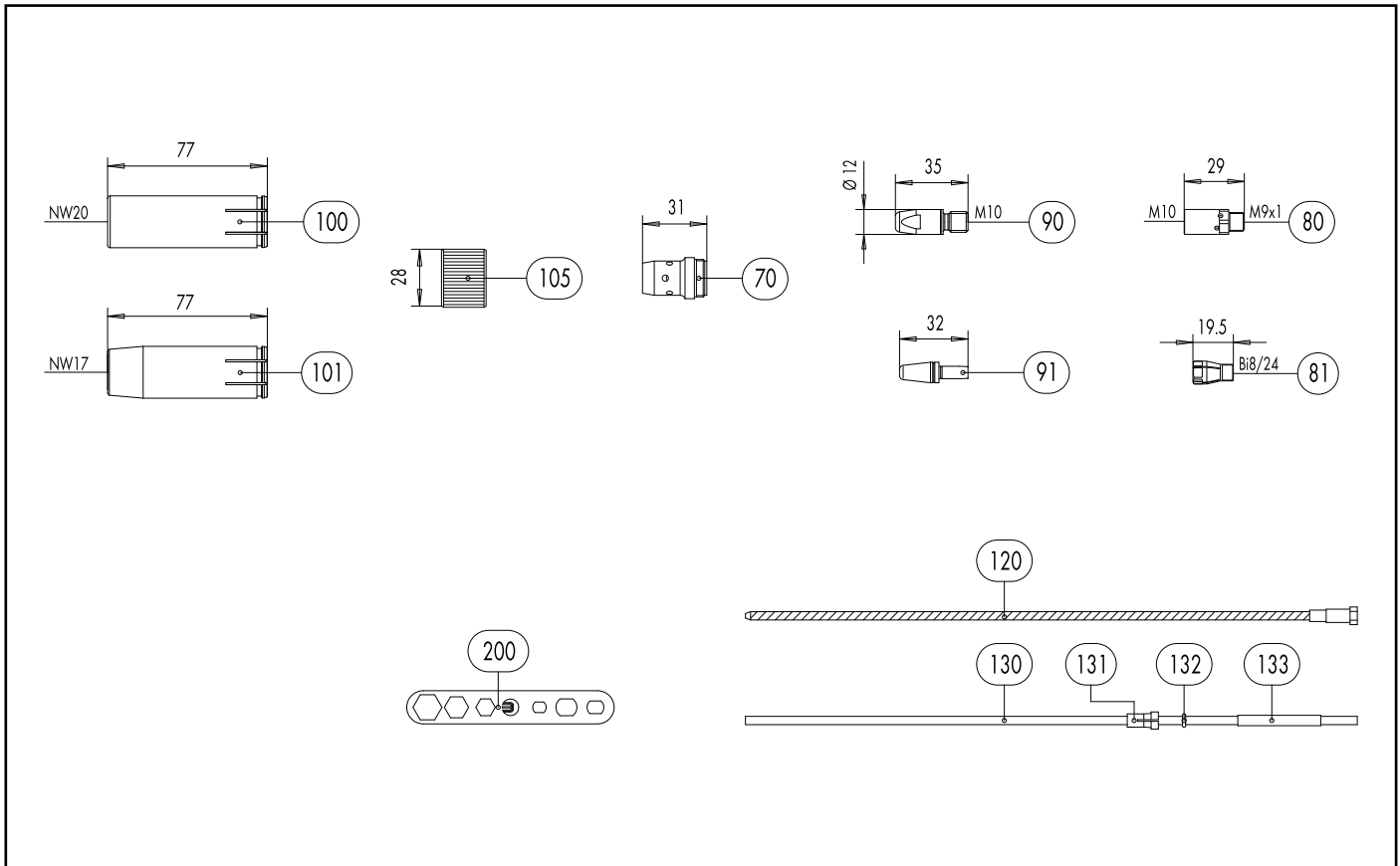
Pos.	Description	Units	Part-No.	Product-group
<b>Torch (D-Version)</b>				
	ABIMIG® GRIP W 605 D; type S; central adaptor WZ-2; 3.00 m		766.0534.1	1317
	ABIMIG® GRIP W 605 D; type S; central adaptor WZ-2; 4.00 m		766.0535.1	1317
	ABIMIG® GRIP W 605 D; type S; central adaptor WZ-2; 5.00 m		766.0536.1	1317
<b>Torch</b>				
	ABIMIG® GRIP W 605; type S; central adaptor WZ-2; 3.00 m		766.0537.1	1317
	ABIMIG® GRIP W 605; type S; central adaptor WZ-2; 4.00 m		766.0538.1	1317
	ABIMIG® GRIP W 605; type S; central adaptor WZ-2; 5.00 m		766.0539.1	1317
<b>Torch (C-Version)</b>				
	ABIMIG® GRIP W 605 C; type S; central adaptor WZ-2; 3.00 m		766.0543.1	1317
	ABIMIG® GRIP W 605 C; type S; central adaptor WZ-2; 4.00 m		766.0544.1	1317
	ABIMIG® GRIP W 605 C; type S; central adaptor WZ-2; 5.00 m		766.0545.1	1317
<b>Swan neck (D-Version)</b>				
1	Swan neck ABIMIG® GRIP W 605 D; 50° bent		766.0540.1	1309
<b>Swan neck</b>				
2	Swan neck ABIMIG® GRIP W 605; 50° bent		766.0541.1	1309
<b>Swan neck (C-Version)</b>				
3	Swan neck ABIMIG® GRIP W 605 C; 50° bent		766.0542.1	1309
<b>Handle GRIP</b>				
11	Handle GRIP type S with trigger cpl.		180.0132.1	1395
11.1	Trigger 2-pole GRIP	5 Pcs.	185.0107.5	1395
<b>Cable assembly</b>				
41	Power cable ABIMIG® GRIP / RAB GRIP (PVC) for 3.00 m		115.0581	1012
41	Power cable ABIMIG® GRIP / RAB GRIP (PVC) for 4.00 m		115.0582	1012
41	Power cable ABIMIG® GRIP / RAB GRIP (PVC) for 5.00 m		115.0583	1012
42	Wire conduit ABIMIG® GRIP / MB GRIP cpl. for 3.00 m		156.0275	1012

# MIG/MAG Welding Torches ABIMIG® GRIP W 605 / 605 C / 605 D



Pos.	Description	Units	Part-No.	Product-group
42	Wire conduit ABIMIG® GRIP / MB GRIP cpl. for 4.00 m		156.0276	1012
42	Wire conduit ABIMIG® GRIP / MB GRIP cpl. for 5.00 m		156.0277	1012
43	Control cable 2-pole	200 m	100.0019	4050
44	Trigger wire connector	20 Pcs.	175.0022	9010
45	Insulating sleeve	20 Pcs.	400.0119	1095
46	Plug	20 Pcs.	175.0004	9010
47	Hose 30 black Ø 4.9x1.5	100 m	109.0040	4050
48	Hose clamp Ø 8.7 mm	100 Pcs.	171.0002	9010
49	Hose 47 blue Ø 5.5x1.5	100 m	109.0057	4050
50	Hose 46 red Ø 5.5x1.5	100 m	109.0056	4050
51	Hose clamp Ø 9.0 mm with ring (mark 9.5)	100 Pcs.	173.0001	9010
52	Plug nipple ND 5 mm / Ø 6.0 mm	20 Pcs.	501.0114	9010
52.1	Fastener cap blue	20 Pcs.	501.2424	1095
52.2	Fastener cap red	20 Pcs.	501.2423	1095
53	Outer cover with cable support Ø 25x1.5 for 3.00 m		107.0079	1095
53	Outer cover with cable support Ø 25x1.5 for 4.00 m		107.0044	1095
53	Outer cover with cable support Ø 25x1.5 for 5.00 m		107.0080	1095
	Outer cover Ø 25x1.5	40 m	107.0004	4050
54.2	Ball joint cable protection MB GRIP / ABIMIG® GRIP W (liquid cooled)		400.1392.1	1095
	Inner ring for ABIMIG® / ABIMIG® GRIP / MB GRIP (liquid cooled)		400.0790	1095
56	Cable support machine side big cpl. ND 31		500.0342	9010
56.1	Cable support spring		500.0233	9010
56.1	Biclip inside		400.0328	9010
56.1	Biclip outside		400.0329	9010
57	Pan head screw M4x6	20 Pcs.	000.0552	9010
57.1	Screw cap 1	20 Pcs.	500.0251	9010

# MIG/MAG Welding Torches ABIMIG® GRIP W 605 / 605 C / 605 D

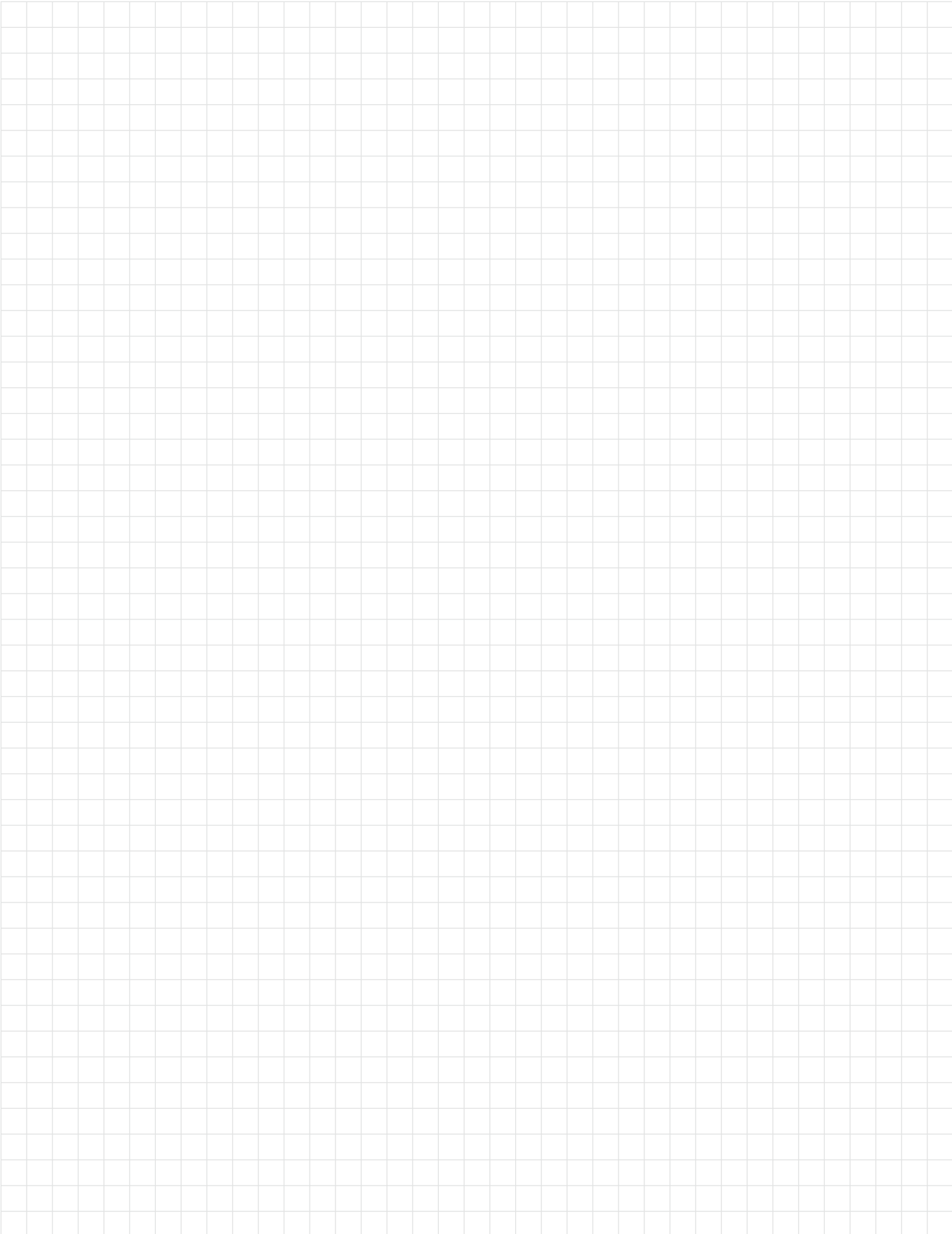


Pos.	Description	Units	Part-No.	Product-group
58	Adaptor nut M33x2		500.0213	9010
59	Central adaptor WZ-2		501.0015	9010
60	Coupling nut M10x1	10 Pcs.	501.0082	9010
61	O-Ring 4x1	20 Pcs.	165.0002	9010
62	Trigger wire connector; female	20 Pcs.	175.0003	9010
<b>Wear parts ABIMIG® GRIP W 605 D / 605 / 605 C</b>				
70	Gas diffuser, long life	10 Pcs.	766.0518	1332
70	Gas diffuser, plastic	10 Pcs.	766.0546.10	1332
<b>Wear parts ABIMIG® GRIP W 605 D</b>				
80	Contact tip holder M10; 29.0 mm; CuCrZr	10 Pcs.	142.0202.10	1033
<b>Wear parts ABIMIG® GRIP W 605 C</b>				
81	Collet body	10 Pcs.	766.1051	1333
<b>Wear parts ABIMIG® GRIP W 605 D / 605</b>				
90	Contact tip M10 E-Cu; Ø 1.0 (12x35)	10 Pcs.	140.1542.10	1030
90	Contact tip M10 E-Cu; Ø 1.2 (12x35)	10 Pcs.	140.1543.10	1030
90	Contact tip M10 E-Cu; Ø 1.6 (12x35)	10 Pcs.	140.1544.10	1030
90	Contact tip M10 CuCrZr; Ø 1.0 (12x35)	10 Pcs.	140.0348	1031
90	Contact tip M10 CuCrZr; Ø 1.2 (12x35)	10 Pcs.	140.0481	1031
90	Contact tip M10 CuCrZr; Ø 1.6 (12x35)	10 Pcs.	140.0616	1031
90	Contact tip M10 CuCrZr silver-plated; Ø 1.2 (12x35)	10 Pcs.	147.0481	1031
90	Contact tip M10 CuCrZr silver-plated; Ø 1.6 (12x35)	10 Pcs.	147.0616	1031
<b>Wear parts ABIMIG® GRIP W 605 C</b>				
91	Contact tip CuCrZr; Ø 1.0 (9.9x32)	10 Pcs.	140.1318	1031
91	Contact tip CuCrZr; Ø 1.2 (9.9x32)	10 Pcs.	140.1319	1031
91	Contact tip CuCrZr; Ø 1.6 (9.9x32)	10 Pcs.	140.1321	1031



# MIG/MAG Welding Torches ABIMIG® GRIP W 605 / 605 C / 605 D

Pos.	Description	Units	Part-No.	Product-group
<b>Wear parts ABIMIG® GRIP W 605 D / 605 / 605 C</b>				
100	Gas nozzle; cylindrical; ND Ø 20.0	10 Pcs.	145.0678.10	1337
101	Gas nozzle; conical; ND Ø 17.0	10 Pcs.	145.0669	1337
105	Gas nozzle adaptor	10 Pcs.	766.1070	1395
120	Guide spiral liner insulated; 2.0/4.5; red; for wire Ø 1.0-1.2; for 3.00 m		124.0111	1334
120	Guide spiral liner insulated; 2.0/4.5; red; for wire Ø 1.0-1.2; for 4.00 m		124.0112	1334
120	Guide spiral liner insulated; 2.0/4.5; red; for wire Ø 1.0-1.2; for 5.00 m		124.0113	1334
120	Guide spiral liner insulated; 2.5/4.5; yellow; for wire Ø 1.6; for 3.00 m		124.0114	1334
120	Guide spiral liner insulated; 2.5/4.5; yellow; for wire Ø 1.6; for 4.00 m		124.0115	1334
120	Guide spiral liner insulated; 2.5/4.5; yellow; for wire Ø 1.6; for 5.00 m		124.0116	1334
130	PTFE core liner 2.0/4.0; red; wire electrode Ø 1.0-1.2; for 3.00 m		126.0021	1034
130	PTFE core liner 2.0/4.0; red; wire electrode Ø 1.0-1.2; for 4.00 m		126.0026	1034
130	PTFE core liner 2.0/4.0; red; wire electrode Ø 1.0-1.2; for 5.00 m		126.0028	1034
130	PTFE core liner 2.7/4.7; yellow; wire electrode Ø 1.6; for 3.00 m		126.0039	1034
130	PTFE core liner 2.7/4.7; yellow; wire electrode Ø 1.6; for 4.00 m		126.0042	1034
130	PTFE core liner 2.7/4.7; yellow; wire electrode Ø 1.6; for 5.00 m		126.0045	1034
130	PTFE carbon core liner 2.0/4.0; wire electrode Ø 1.0-1.2; for 3.00 m		127.0005	1034
130	PTFE carbon core liner 2.0/4.0; wire electrode Ø 1.0-1.2; for 4.00 m		127.0007	1034
130	PTFE carbon core liner 2.0/4.0; wire electrode Ø 1.0-1.2; for 5.00 m		127.0008	1034
130	PTFE carbon core liner 2.7/4.7; wire electrode Ø 1.6; for 3.00 m		127.0010	1034
130	PTFE carbon core liner 2.7/4.7; wire electrode Ø 1.6; for 4.00 m		127.0012	1034
130	PTFE carbon core liner 2.7/4.7; wire electrode Ø 1.6; for 5.00 m		127.0013	1034
131	Nipple for core liner at Ø 4.0	20 Pcs.	131.0001	1095
131	Nipple for core liner at Ø 4.7	20 Pcs.	131.0002	1095
132	O-Ring 3.5x1.5	20 Pcs.	165.0008	9010
133	Guide tube for core liners up to Ø 4.0 (200 mm)	10 Pcs.	129.0461	1095
200	Spanner Standard		191.0001	9010



## MIG/MAG Welding Torches

# ABIMIG® liquid cooled

### “Higher service lifes in the high-performance range”

The tried and tested MIG/MAG Welding Torches ABIMIG® liquid cooled cover the rating spectrum up to 600 A. The handle concept ABIMIG® makes it possible to integrate all common switch and control functions.

- Dual cooling circuit for optimized torch cooling – extended service life of wear and spare parts
- Welding applications up to 600 A – excellent welding results for pulse applications
- Technically proven – 100% reliable
- Split gas nozzle as well as optimally cooled gas nozzle seat on ABIMIG® 645 guarantee best possible welding results even in high performance applications
- Time-saving torch change-over due to the ABICOR BINZEL central connector



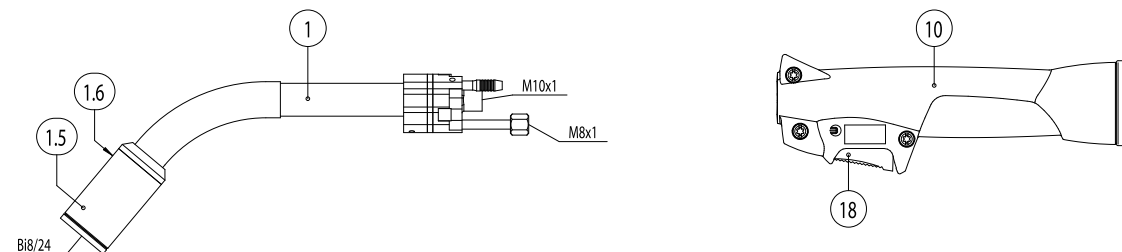
Technical data  
(EN 60 974-7)

### MIG/MAG Welding Torches “ABIMIG®” (liquid cooled)

Type	Rating (A)	Mixed gases M21	Duty cycle	Wire size
	DC	Impuls	(%)	(mm)
<b>ABIMIG® 645 W</b>	600	450	100	0.8-1.6

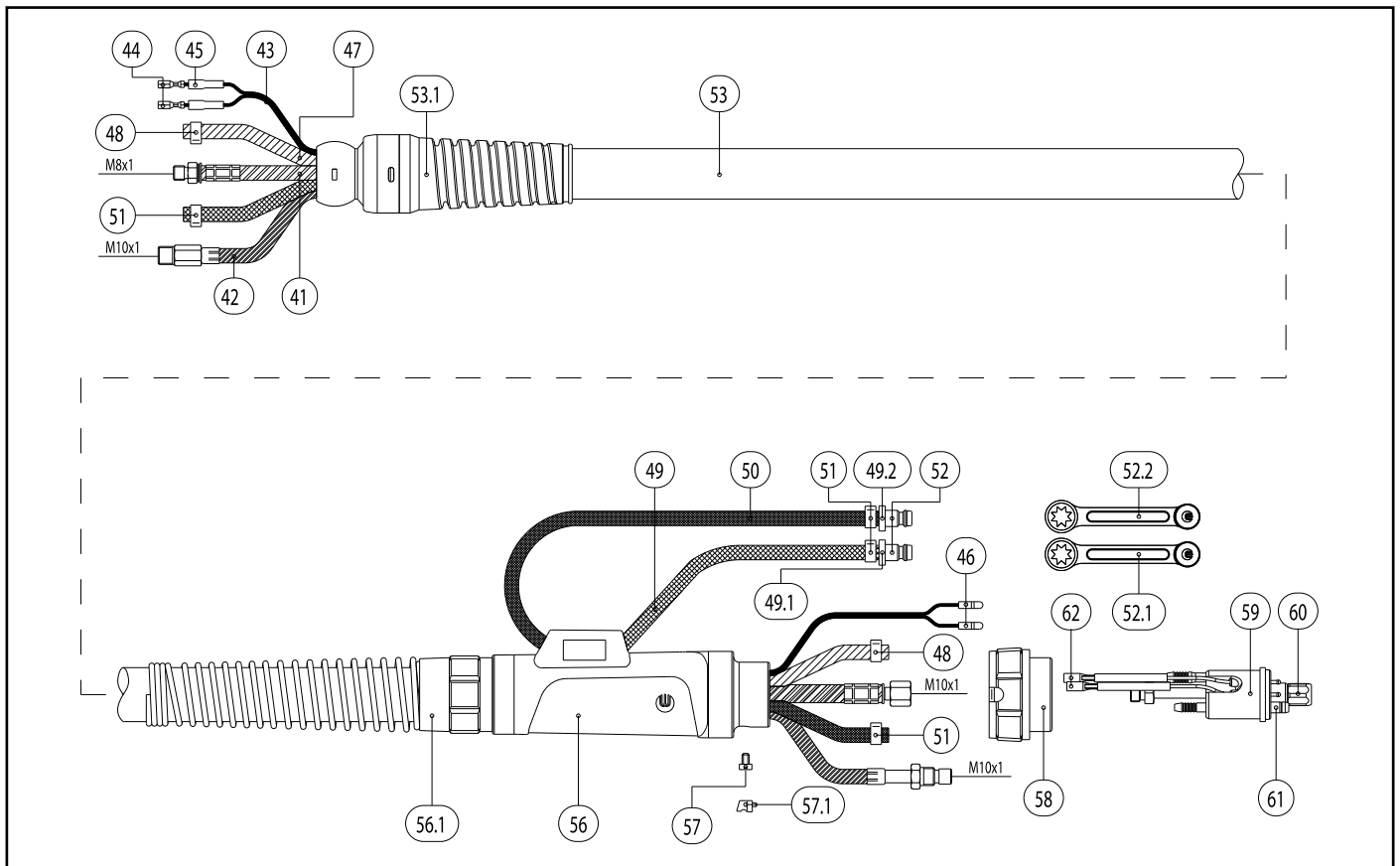
Subject to change without notice.

# MIG/MAG Welding Torches ABIMIG® 645 W



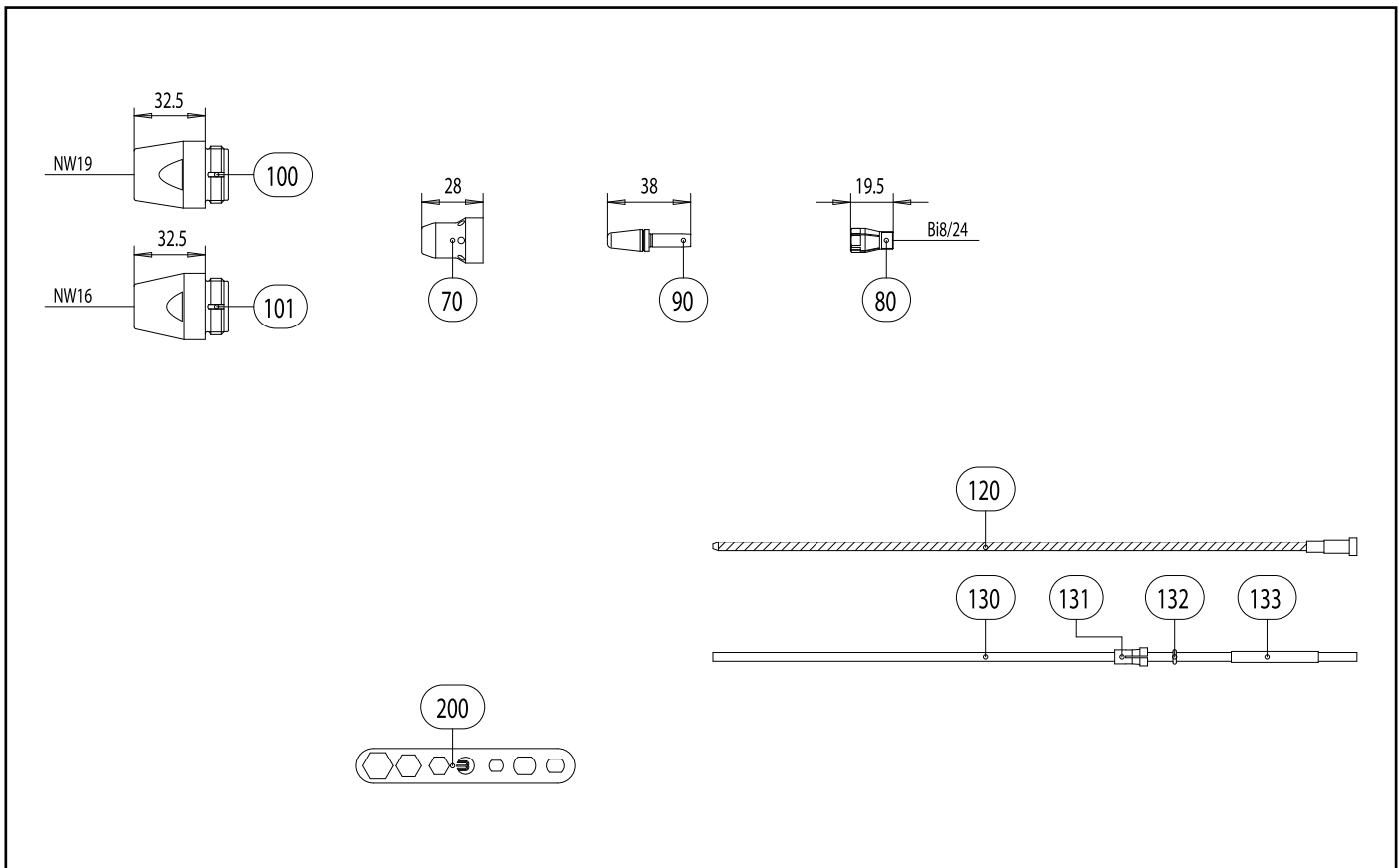
Pos.	Description	Units	Part-No.	Product-group
<b>Torch</b>				
	ABIMIG® 645 W; central adaptor WZ-2; 3.00 m (socket joint)		766.0406	1346
	ABIMIG® 645 W; central adaptor WZ-2; 4.00 m (socket joint)		766.0407	1346
	ABIMIG® 645 W; central adaptor WZ-2; 5.00 m (socket joint)		766.0408	1346
<b>Swan neck</b>				
1	Swan neck ABIMIG® 645W; 50° bent		766.0370	1309
1.5	Cooling jacket cpl.		766.0377	1395
1.6	O-Ring 18x1.5	20 Pcs.	165.0016	9010
<b>Handle</b>				
10	Handle ABIMIG® with trigger cpl.		180.0111	1395
18	Trigger 2-pole		185.0031	9010
<b>Cable assembly</b>				
41	Power cable MB ERGO / MB GRIP / ABIMIG® (RBH) for 3.00 m		115.0065	1012
41	Power cable MB ERGO / MB GRIP / ABIMIG® (RBH) for 4.00 m		115.0070	1012
41	Power cable MB ERGO / MB GRIP / ABIMIG® (RBH) for 5.00 m		115.0074	1012
42	Wire conduit MB ERGO / ABIMIG® cpl. red (up to wire Ø 1.2) for 3.00 m		156.0019	1012
42	Wire conduit MB ERGO / ABIMIG® cpl. red (up to wire Ø 1.2) for 4.00 m		156.0023	1012
42	Wire conduit MB ERGO / ABIMIG® cpl. red (up to wire Ø 1.2) for 5.00 m		156.0026	1012
42	Wire conduit MB ERGO / ABIMIG® cpl. blue (wire Ø 1.6 onwards) for 3.00 m		155.0008	1012
42	Wire conduit MB ERGO / ABIMIG® cpl. blue (wire Ø 1.6 onwards) for 4.00 m		155.0009	1012
42	Wire conduit MB ERGO / ABIMIG® cpl. blue (wire Ø 1.6 onwards) for 5.00 m		155.0010	1012
43	Control cable 2-pole	200 m	100.0019	4050
44	Trigger wire connector	20 Pcs.	175.0022	9010
45	Insulating sleeve	20 Pcs.	400.0119	1095
46	Plug	20 Pcs.	175.0004	9010
47	Hose 30 black Ø 4.9x1.5	100 m	109.0040	4050

# MIG/MAG Welding Torches ABIMIG® 645 W



Pos.	Description	Units	Part-No.	Product-group
48	Hose clamp Ø 8.7 mm	100 Pcs.	171.0002	9010
49	Hose 42 RBH black; Ø 5.5x1.5	40 m	109.0052	4050
49.1	Code colour ring blue	20 Pcs.	501.2167	9010
49.2	Code colour ring red	20 Pcs.	501.2166	9010
50	Hose 46 black Ø 5.5x1.5 cpl. with plug nipple ND 5; 0.6 m		103.0108	1095
51	Hose clamp Ø 9.5 mm with ring (mark 10.0)	100 Pcs.	173.0002	9010
52	Plug nipple ND 5 mm / Ø 6.0 mm	20 Pcs.	501.0114	9010
52.1	Fastener cap red	20 Pcs.	501.2423	1095
52.2	Fastener cap blue	20 Pcs.	501.2424	1095
53	Outer cover Ø 25x1.5	40 m	107.0004	4050
53.1	Socket joint cpl.		400.0949	1095
56	Cable support machine side big cpl. ND 31		500.0342	9010
56	Cable support machine side		501.2379	9010
56	Hose guide		500.0334	9010
56.1	Connecting set machine side for ND 29		501.2236	9010
56.1	Cable support spring		500.0233	9010
56.1	Biclip inside		400.0328	9010
56.1	Biclip outside		400.0329	9010
57	Pan head screw M4x6	20 Pcs.	000.0552	9010
57.1	Screw cap 1	20 Pcs.	500.0251	9010
58	Adaptor nut M33x2		500.0213	9010
59	Central adaptor WZ-2		766.0501	1395
59.1	Central adaptor WZ-2		766.0501	1395
60	Coupling nut M10x1	10 Pcs.	501.0082	9010
61	O-Ring 4x1	20 Pcs.	165.0002	9010
62	Trigger wire connector; female	20 Pcs.	175.0003	9010

# MIG/MAG Welding Torches ABIMIG® 645 W



## Pos. Description

Units

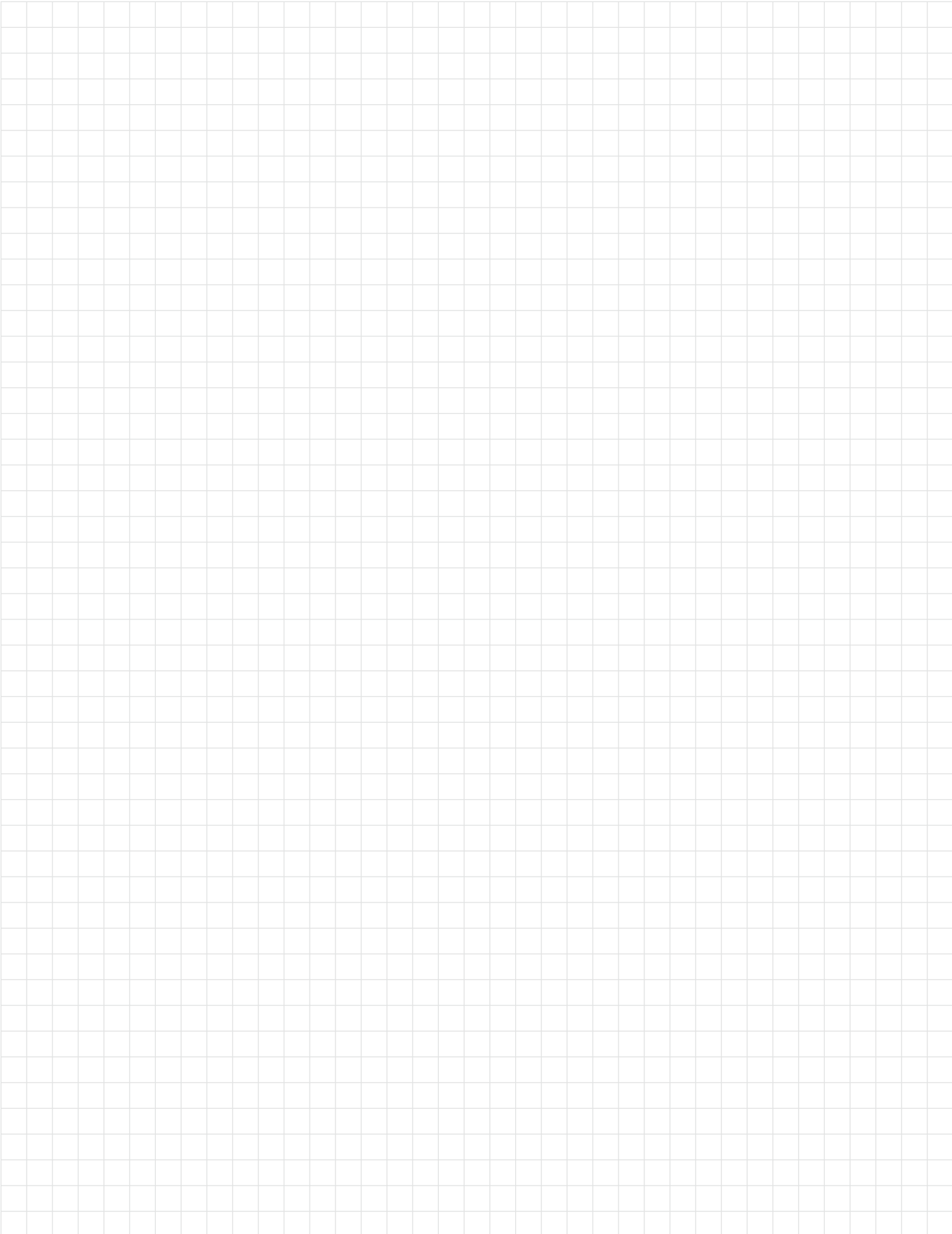
Part-No.

Product-group

Pos.	Description	Units	Part-No.	Product-group
<b>Wear parts</b>				
70	Gas diffuser, white	10 Pcs.	766.1095	1332
70	Gas diffuser, long life	10 Pcs.	766.1078	1332
70	Gas diffuser, ceramic	10 Pcs.	766.1135	1332
80	Collet body	10 Pcs.	766.1051	1333
90	Contact tip CuCrZr; Ø 1.0 (9.9x38)	10 Pcs.	140.1312	1031
90	Contact tip CuCrZr; Ø 1.2 (9.9x38)	10 Pcs.	140.1313	1031
90	Contact tip CuCrZr; Ø 1.6 (9.9x38)	10 Pcs.	140.1315	1031
100	Gas nozzle; cylindrical; ND Ø 19.0	2 Pcs.	766.1075	1337
101	Gas nozzle; conical; ND Ø 16.0	2 Pcs.	766.1074	1337
120	Guide spiral liner insulated; 2.0/4.5; red; for wire Ø 1.0-1.2; for 3.00 m		124.0111	1334
120	Guide spiral liner insulated; 2.0/4.5; red; for wire Ø 1.0-1.2; for 4.00 m		124.0112	1334
120	Guide spiral liner insulated; 2.0/4.5; red; for wire Ø 1.0-1.2; for 5.00 m		124.0113	1334
120	Guide spiral liner insulated; 2.5/4.5; yellow; for wire Ø 1.6; for 3.00 m		124.0114	1334
120	Guide spiral liner insulated; 2.5/4.5; yellow; for wire Ø 1.6; for 4.00 m		124.0115	1334
120	Guide spiral liner insulated; 2.5/4.5; yellow; for wire Ø 1.6; for 5.00 m		124.0116	1334
130	PTFE core liner 2.0/4.0; red; wire electrode Ø 1.0-1.2; for 3.00 m		126.0021	1034
130	PTFE core liner 2.0/4.0; red; wire electrode Ø 1.0-1.2; for 4.00 m		126.0026	1034
130	PTFE core liner 2.0/4.0; red; wire electrode Ø 1.0-1.2; for 5.00 m		126.0028	1034
130	PTFE core liner 2.7/4.7; yellow; wire electrode Ø 1.6; for 3.00 m		126.0039	1034
130	PTFE core liner 2.7/4.7; yellow; wire electrode Ø 1.6; for 4.00 m		126.0042	1034
130	PTFE core liner 2.7/4.7; yellow; wire electrode Ø 1.6; for 5.00 m		126.0045	1034
130	Plastic core liner; 2.0; petrol; for wire Ø 1.0-1.2; for 3.00 m		126.0069	1334
130	Plastic core liner; 2.0; petrol; for wire Ø 1.0-1.2; for 4.00 m		126.0070	1334
130	Plastic core liner; 2.0; petrol; for wire Ø 1.0-1.2; for 5.00 m		126.0071	1334
130	Plastic core liner; 2.4; petrol; for wire Ø 1.6; for 3.00 m		126.0072	1334

# MIG/MAG Welding Torches ABIMIG® 645 W

Pos.	Description	Units	Part-No.	Product-group
130	Plastic core liner; 2.4; petrol; for wire Ø 1.6; for 4.00 m		126.0073	1334
130	Plastic core liner; 2.4; petrol; for wire Ø 1.6; for 5.00 m		126.0074	1334
130	PTFE carbon core liner 2.0/4.0; wire electrode Ø 1.0-1.2; for 3.00 m		127.0005	1034
130	PTFE carbon core liner 2.0/4.0; wire electrode Ø 1.0-1.2; for 4.00 m		127.0007	1034
130	PTFE carbon core liner 2.0/4.0; wire electrode Ø 1.0-1.2; for 5.00 m		127.0008	1034
130	PTFE carbon core liner 2.7/4.7; wire electrode Ø 1.6; for 3.00 m		127.0010	1034
130	PTFE carbon core liner 2.7/4.7; wire electrode Ø 1.6; for 4.00 m		127.0012	1034
130	PTFE carbon core liner 2.7/4.7; wire electrode Ø 1.6; for 5.00 m		127.0013	1034
131	Nipple for core liner at Ø 4.0	20 Pcs.	131.0001	1095
131	Nipple for core liner at Ø 4.7	20 Pcs.	131.0002	1095
132	O-Ring 3.5x1.5	20 Pcs.	165.0008	9010
133	Guide tube for core liners up to Ø 4.0 (200 mm)	10 Pcs.	129.0461	1095
200	Spanner Standard		191.0001	9010





MIG/MAG Machine Welding Torches

# AUT / ABIMIG® MT air and liquid cooled

**“For every application the right solution”**

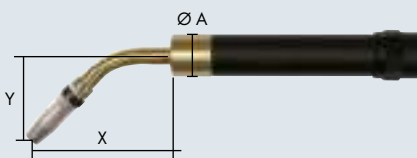
Machine welding processes are used wherever high precision and productivity is required. Accessibility to the components very often requires special solutions with mechanical torches. ABICOR BINZEL offers an almost infinite variety of solutions, always based on the design of the world-wide recognized manual torches.

This means, experience in service life and quality offers additional advantages, so that special parts are not required.

- Expert competence
- Separate special torch production - short delivery time
- High availability
- Right solution for every job

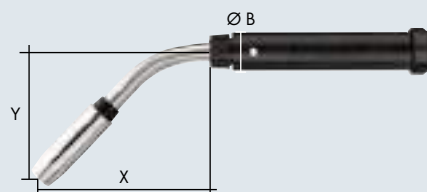


### Fixed swan neck



<b>Ø A</b>	air cooled torches:	38 mm
	liquid cooled torches:	38 mm

### Changeable swan neck

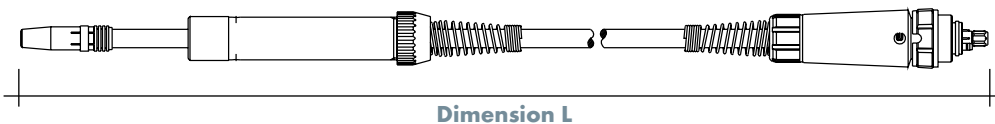


<b>Ø B</b>	air cooled torches:	37 mm
	liquid cooled torches:	40 mm

### Order information:

When ordering complete torches, please indicate the torch type, torch geometry (straight or bent) and dimension "L" (see sketch).

The wear parts - contact tip, gas nozzle, gas diffuser, contact tip holder, neck liner or liner - are identical with those of the manual welding torches of same size ((ABIMIG® 455 / 645 on request).



# MIG/MAG Machine Welding Torches AUT / ABIMIG® MT

Pos.	Description	Units	Part-No.	Product-group
<b>Fixed swan neck</b>				
1	Swan neck AUT 15 AK; 45° bent		902.0004	1050
1	Swan neck AUT 24 KD; straight		912.0001	1050
1	Swan neck AUT 24 KD; 45° bent		912.0002	1050
1	Swan neck AUT 25 AK; straight		904.0003	1050
1	Swan neck AUT 25 AK; 45° bent		904.0004	1050
1	Swan neck AUT 26/36; straight		914.0002	1051
1	Swan neck AUT 26/36; 45° bent		914.0001	1051
1	Swan neck AUT 240 D; straight		923.0001	1052
1	Swan neck AUT 240 D; 45° bent		923.0002	1052
1	Swan neck AUT 401/501; straight		932.0001	1052
1	Swan neck AUT 401/501; 45° bent		932.0002	1052
1	Swan neck AUT 401 D/501 D; straight		934.0001	1052
1	Swan neck AUT 401 D/501 D; 45° bent		934.0002	1052
1	Swan neck ABIMIG® W 555 MT; 0°		766.0878.1	1352
1	Swan neck ABIMIG® W 555 MT; 22° bent		766.0879.1	1352
1	Swan neck ABIMIG® W 555 MT; 45° bent		766.0880.1	1352
1	Swan neck ABIMIG® W 555 D MT; 0°		766.0865.1	1352
1	Swan neck ABIMIG® W 555 D MT; 22° bent		766.0866.1	1352
1	Swan neck ABIMIG® W 555 D MT; 45° bent		766.0867.1	1352
1	Swan neck ABIMIG® W 605 MT; 0°		766.0883.1	1352
1	Swan neck ABIMIG® W 605 MT; 22° bent		766.0884.1	1352
1	Swan neck ABIMIG® W 605 MT; 45° bent		766.0885.1	1352
1	Swan neck ABIMIG® W 605 D MT; 0°		766.0871.1	1352
1	Swan neck ABIMIG® W 605 D MT; 22° bent		766.0872.1	1352
1	Swan neck ABIMIG® W 605 D MT; 45° bent		766.0873.1	1352
1	Swan neck ABIMIG® -MT 645W; straight		766.0459	1352
1	Swan neck ABIMIG® -MT 645W; 45° bent		766.0460	1352
<b>Changeable swan neck</b>				
2	Swan neck ABIMIG® MT 255 T8M; straight		012.D122	1508
2	Swan neck ABIMIG® MT 255 T8M; 45° bent		004.D785	1306
2	Swan neck ABIMIG® MT 355 T8M; straight		014.D812	1308
2	Swan neck ABIMIG® MT 355 T8M; 45° bent		014.D808	1308
2	Swan neck ABIMIG® MT 455 T8M; straight		016.D250	1508
2	Swan neck ABIMIG® MT 455 T8M; 45° bent		016.D225	1308
<b>Handle tube AUT 15/24/25/26/36</b>				
3	Handle tube AUT		180.0097	1095
3	Coupling nut M38x2		400.0137	9010
3	Cable support spring ND 19		500.0225	9010
3	Pan head screw M4x6	20 Pcs.	000.0552	9010
<b>Handle tube AUT 240 D/401/401 D/501/501 D</b>				
4	Handle tube AUT		180.0097	1095
4	Biclip Set 25/28		400.0332	9010
4	Pan head screw M4x6	20 Pcs.	000.0552	9010
<b>Handle tube MT 555/605/645</b>				
5	Handle tube MT		180.0114	1395
5	Counter sunk screw M4x8	20 Pcs.	009.0315	1095
<b>Handle tube MT 255/355/455</b>				
6	Counter sunk screw M4x8	20 Pcs.	009.0315	1095



## MIG/MAG Welding Torches

# Push-Pull Plus

## air and liquid cooled

“The long-distance torches ...”

The Push-Pull welding torches of the product line “PP” guarantee constant and problem-free wire feeding. Push-pull guns are ideally suited for hard-to-feed wire like aluminium, thin wire and for extended cable assemblies. Due to their reliability the torches have become the industry standard in shipbuilding, container and tank manufacture, and are also used extensively in the construction of automobiles and railway vehicles. All torches are corresponding in their construction to the well-established MB welding torches of the same style.

- Constant and problem-free wire feeding
- Optimum cooling of the torch, extending torch life
- Time-saving torch change-over due to the ABICOR BINZEL central plug- and central connecting system
- Air cooled up to 300 A
- Liquid cooled up to 350 A



### Technical data (EN 60 974-7)

#### MIG/MAG Welding Torches “Push-Pull Plus” (air cooled)

Type	Rating (A)		Duty cycle (%)	Wire size (mm)
	CO <sub>2</sub>	Mixed gases M21		
<b>Push-Pull Plus 36 D</b>	300	270	60	0.8-1.2

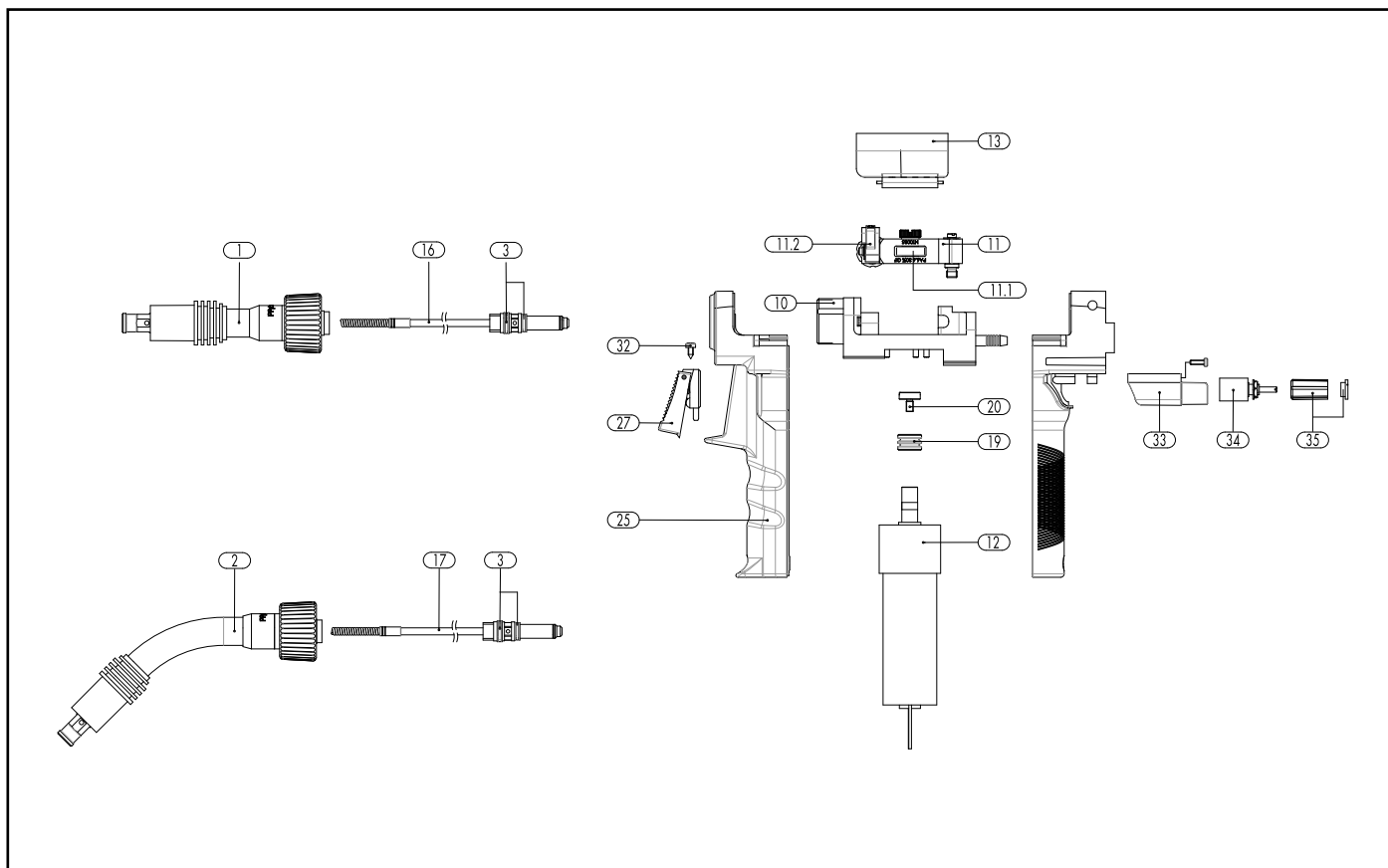
Subject to change without notice.

#### MIG/MAG Welding Torches “Push-Pull PlusP” (liquid cooled)

Type	Rating (A)		Duty cycle (%)	Wire size (mm)
	CO <sub>2</sub>	Mixed gases M21		
<b>Push-Pull Plus 240 D</b>	270	240	100	0.8-1.2
<b>Push-Pull Plus 401 D</b>	400	350	100	0.8-1.2

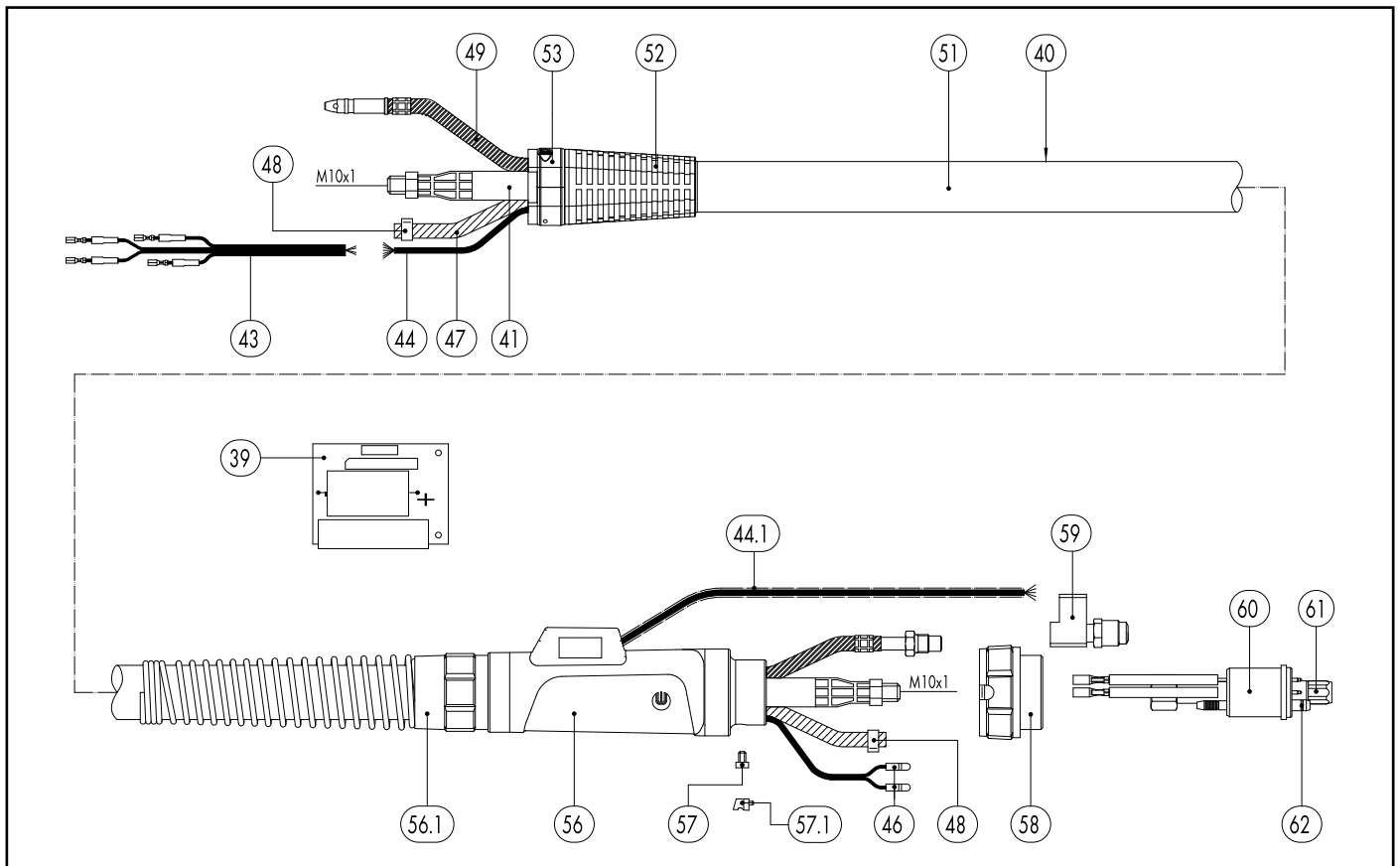
Subject to change without notice.

# MIG/MAG Welding Torches Push-Pull Plus 36 D



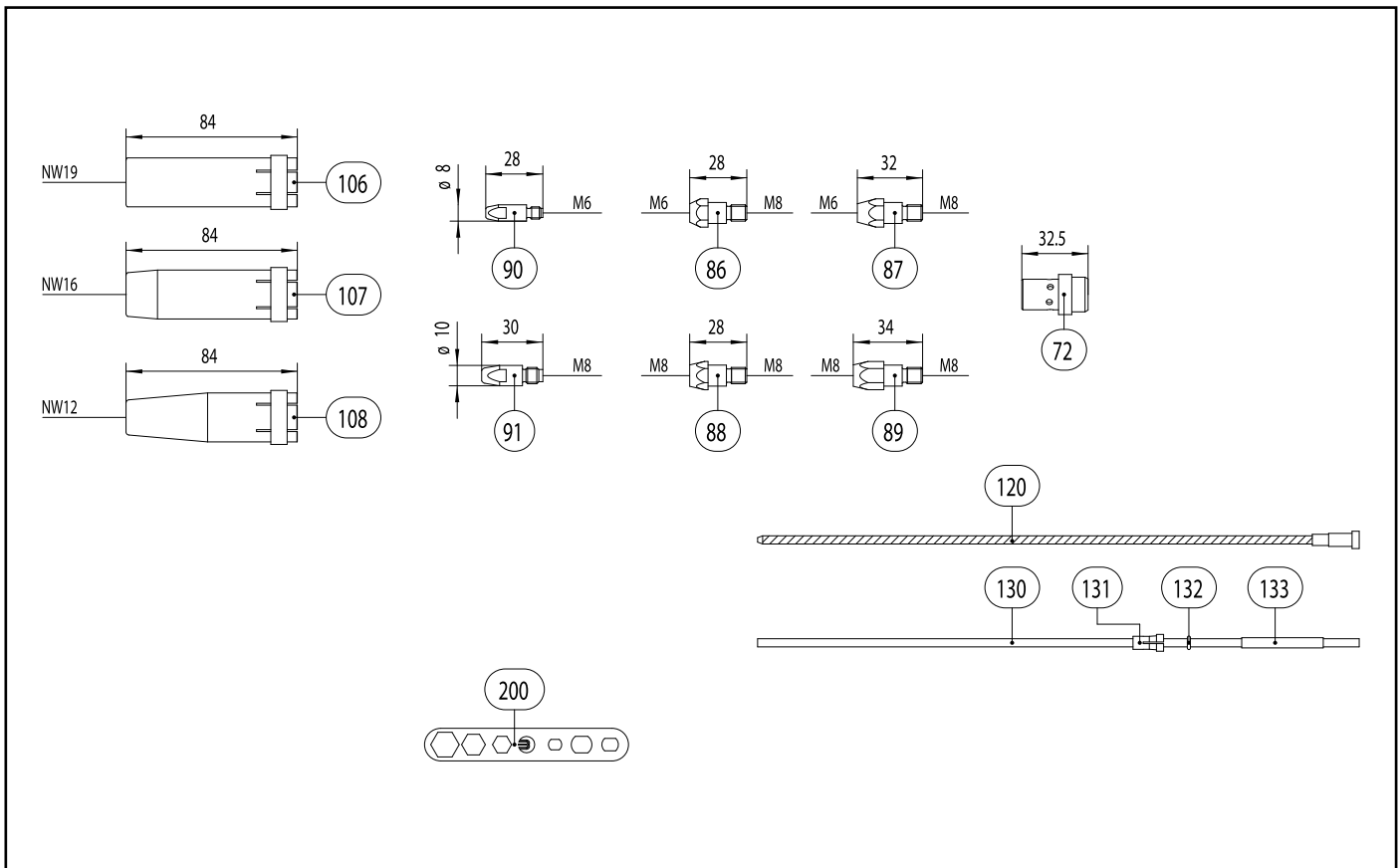
Pos.	Description	Units	Part-No.	Product-group
<b>Torch</b>				
	Push-Pull Plus 36 D; straight; 40 V motor; central adaptor GZ-2; 8.00 m		085.0104.1	1029
	Push-Pull Plus 36 D; 45° bent; 40 V motor; central adaptor GZ-2; 8.00 m		085.0105.1	1029
	Push-Pull Plus 36 D; straight; 40 V motor; poti 10 k-Ohm, central adaptor GZ-2; 8.00 m		085.0106.1	1029
	Push-Pull Plus 36 D; 45° bent; 40 V motor; poti 10 k-Ohm, central adaptor GZ-2; 8.00 m		085.0107.1	1029
<b>Swan neck</b>				
1	Swan neck Push-Pull Plus 36 D; straight		085.0116.1	1014
2	Swan neck Push-Pull Plus 36 D; 45° bent		085.0117.1	1014
3	Wear parts set gasket rings		085.0029	1095
<b>Torch body, gear motor and equipment</b>				
10	Torch adaptor cpl.		085.0019	1095
11	Pressure trigger cpl.		085.0018	1095
11.1	Pressure roll		085.0042	1095
11.2	Pressure button cpl.		085.0043	1095
12	Gear motor 24 V DC		085.0102.1	1095
12	Gear motor 40 V DC		085.0103.1	1095
13	Cover cpl.		400.1186	1095
16	Neckliner for wire Ø 0.8 - 1.0 mm (length=145 mm)	3 Pcs.	149.0260.3	1034
16	Neckliner for wire Ø 1.2 - 1.6 mm (length=145 mm)	3 Pcs.	149.0261.3	1034
17	Neckliner for wire Ø 0.8 - 1.0 mm (length=197 mm)	3 Pcs.	149.0262.3	1034
17	Neckliner for wire Ø 1.2 - 1.6 mm (length=197 mm)	3 Pcs.	149.0263.3	1034
19	Wire feed roll ST / AL 0.8 / 0.8 mm		095.0064.1	1095
19	Wire feed roll ST / AL 1.0 / 1.0 mm		095.0065.1	1095
19	Wire feed roll ST / AL 1.2 / 1.2 mm		095.0066.1	1095
20	Knurled screw M4	5 Pcs.	085.0113.5	1095

# MIG/MAG Welding Torches Push-Pull Plus 36 D



Pos.	Description	Units	Part-No.	Product-group
<b>Handle</b>				
25	Handle cpl. incl. mounting screws and extension material		085.0017	1095
27	Trigger 2-pole		185.0100	1095
32	Sheet metal screw 2.9x6.5	20 Pcs.	079.0003	9010
33	Potentiometerhousing cpl.		085.0016	1095
34	Potentiometer (2.0 k-Ohm)		187.0078	9010
34	Potentiometer (5.5 k-Ohm)		187.0076	9010
34	Potentiometer (10.0 k-Ohm)		187.0075	9010
34	Potentiometer (20.0 k-Ohm)		187.0079	9010
35	Potentiometer knob cpl.		085.0041	1095
<b>Printed circuit board</b>				
39	Printed circuit board for 42 V motor		080.0009	1095
<b>Cable assembly</b>				
40	Cable assembly cpl. 8.00 m with 7-pol. control leads without central adaptor GZ-2		085.0040	1095
41	Power cable cpl. Type 35		118.0074	1012
43	Control lead cpl. 4-pole (0.4 m)		101.0054	1095
46	Plug	20 Pcs.	175.0004	9010
47	Hose 30 black Ø 4.9x1.5	100 m	109.0040	4050
48	Hose clamp Ø 8.2 mm with ring (mark 8.7)	100 Pcs.	173.0005	9010
49	Wire conduit cpl. for 8.00 m		156.0273	1012
51	Fabrics hose 28x1.5 mm (40 m)	40 m	107.0091	4050
52	Cable support		400.1188	1095
53	Cable support fastening cpl.		400.1247	1095
56	Cable support machine side big cpl. ND 31		500.0342	9010
56.1	Cable support spring big ND 31		500.0274	9010
57	Pan head screw M4x6	20 Pcs.	000.0552	9010

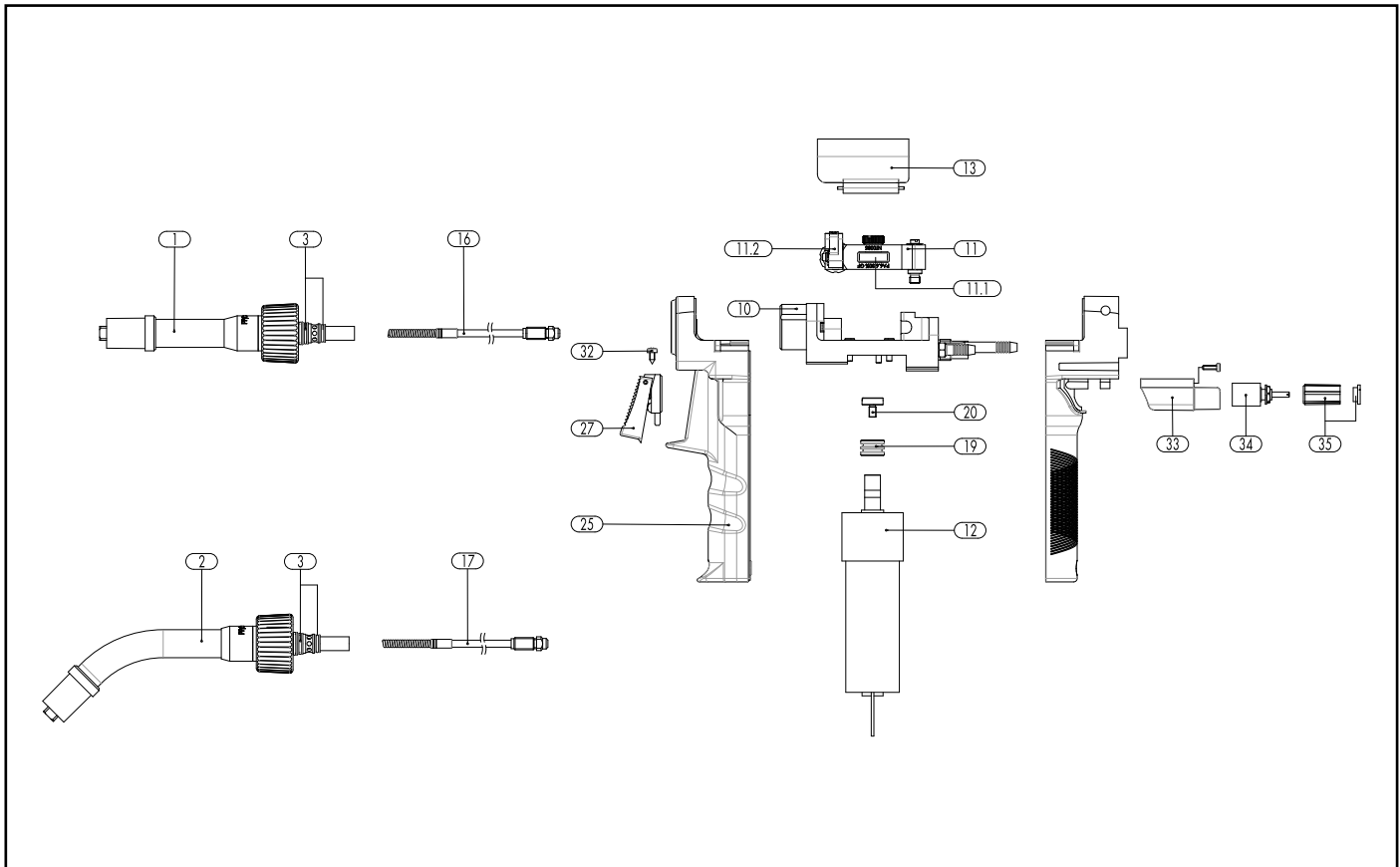
# MIG/MAG Welding Torches Push-Pull Plus 36 D



Pos.	Description	Units	Part-No.	Product-group
57.1	Screw cap 1	20 Pcs.	500.0251	9010
58	Adaptor nut M33x2		500.0213	9010
59	Powerfitting cpl. M14x1		500.0460	1095
60	Central adaptor GZ-2		501.0018	1095
61	Coupling nut M10x1, plastic	5 Pcs.	501.D536.5	1595
62	O-Ring 4x1	20 Pcs.	165.0002	9010
44	Control lead 7-pole; 0,34 qmm (100 m)	100 m	100.0034	4050
<b>Wear parts</b>				
72	Gas diffuser, white	10 Pcs.	014.0261	1032
72	Gas diffuser, long life	10 Pcs.	014.0026	1032
72	Gas diffuser, ceramic	10 Pcs.	014.0023	1032
86	Contact tip holder M6; 28.0 mm (short)	10 Pcs.	142.0005	1033
87	Contact tip holder M6; 32.0 mm (long)	10 Pcs.	142.0011	1033
88	Contact tip holder M8; 28.0 mm (short)	10 Pcs.	142.0020	1033
89	Contact tip holder M8; 34.0 mm (long)	10 Pcs.	142.0024	1033
90	Contact tip M6 E-Cu; Ø 0.8 (8x28)	10 Pcs.	140.0051	1030
90	Contact tip M6 E-Cu; Ø 1.0 (8x28)	10 Pcs.	140.0242	1030
90	Contact tip M6 E-Cu; Ø 1.2 (8x28)	10 Pcs.	140.0379	1030
90	Contact tip M6 CuCrZr; Ø 0.8 (8x28)	10 Pcs.	140.0054	1031
90	Contact tip M6 CuCrZr; Ø 1.0 (8x28)	10 Pcs.	140.0245	1031
90	Contact tip M6 CuCrZr; Ø 1.2 (8x28)	10 Pcs.	140.0382	1031
90	Contact tip M6 E-Cu; Ø 0.8 for alu wire (8x28)	10 Pcs.	141.0001	1030
90	Contact tip M6 E-Cu; Ø 1.0 for alu wire (8x28)	10 Pcs.	141.0006	1030
90	Contact tip M6 E-Cu; Ø 1.2 for alu wire (8x28)	10 Pcs.	141.0010	1030
90	Contact tip M6 CuCrZr silver-plated; Ø 0.8 (8x28)	10 Pcs.	147.0054	1031
90	Contact tip M6 CuCrZr silver-plated; Ø 1.0 (8x28)	10 Pcs.	147.0245	1031



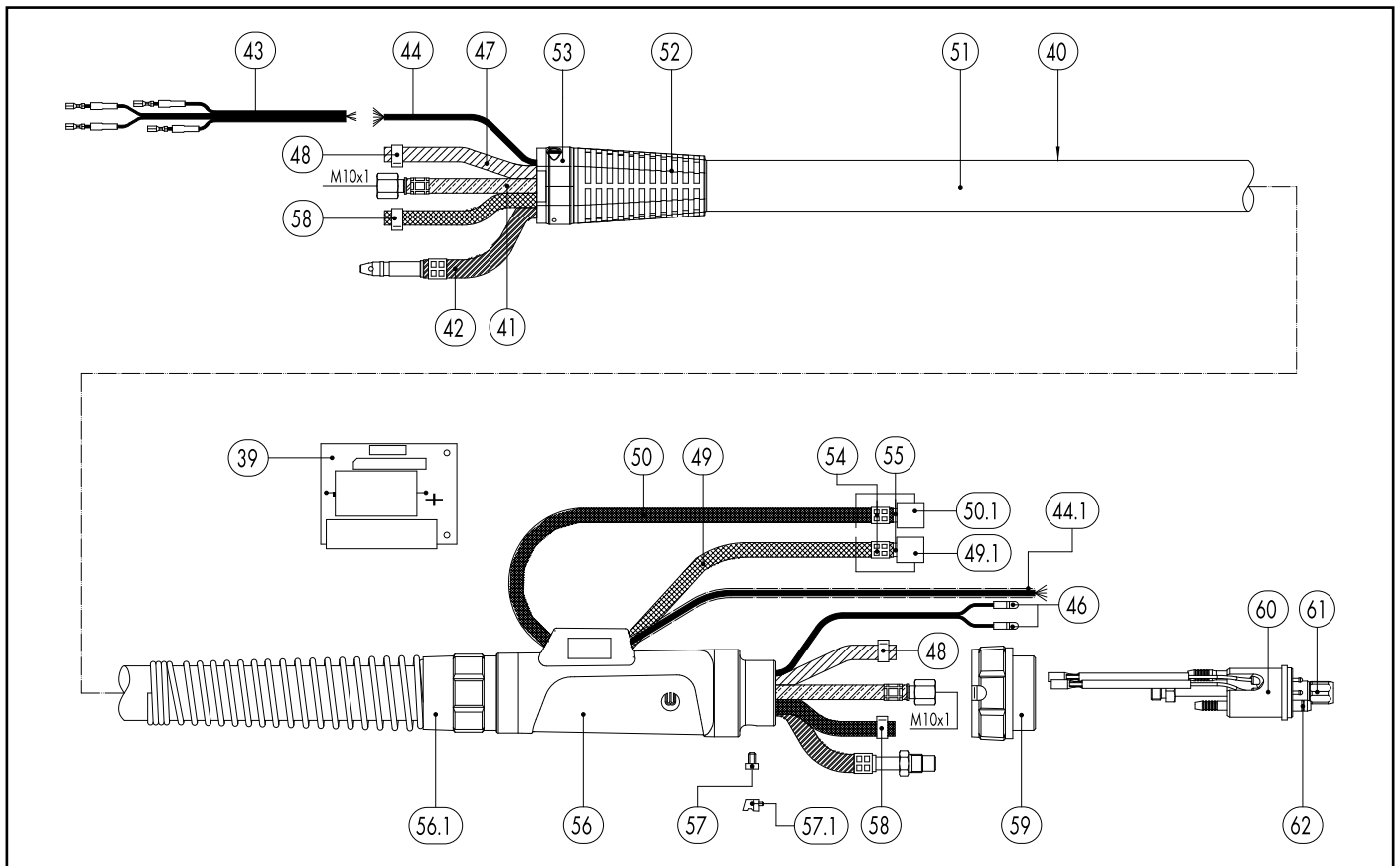
# MIG/MAG Welding Torches Push-Pull Plus 240 D



Pos.	Description	Units	Part-No.	Product-group
<b>Torch</b>				
	Push-Pull Plus 240 D; straight; 40 V motor; central adaptor WZ-2; 8.00 m		095.0110.1	1029
	Push-Pull Plus 240 D; 45° bent; 40 V motor; central adaptor WZ-2; 8.00 m		095.0111.1	1029
	Push-Pull Plus 240 D; straight; 40 V motor; poti 10 k-Ohm, central adaptor WZ-2; 8.00 m		095.0119.1	1029
	Push-Pull Plus 240 D; 45° bent; 40 V motor; poti 10 k-Ohm, central adaptor WZ-2; 8.00 m		095.0120.1	1029
<b>Swan neck</b>				
1	Swan neck Push-Pull Plus 240 D; straight		095.0040.1	1009
2	Swan neck Push-Pull Plus 240 D; 45° bent		095.0052.1	1009
3	Wear parts set gasket rings		095.0001	1095
<b>Torch body, gear motor and equipment</b>				
10	Torch adaptor cpl.		095.0032	1095
11	Pressure trigger cpl.		085.0018	1095
11.1	Pressure roll		085.0042	1095
11.2	Pressure button cpl.		085.0043	1095
12	Gear motor 24 V DC		085.0102.1	1095
12	Gear motor 40 V DC		085.0103.1	1095
13	Cover cpl.		095.0072.1	1095
16	Neckliner for wire Ø 0.8 - 1.0 mm (length=134 mm)	3 Pcs.	149.0264.3	1034
16	Neckliner for wire Ø 1.2 - 1.6 mm (length=134 mm)	3 Pcs.	149.0265.3	1034
17	Neckliner for wire Ø 0.8 - 1.0 mm (length=194 mm)	3 Pcs.	149.0266.3	1034
17	Neckliner for wire Ø 1.2 - 1.6 mm (length=194 mm)	3 Pcs.	149.0267.3	1034
19	Wire feed roll ST / AL 0.8 / 0.8 mm		095.0064.1	1095
19	Wire feed roll ST / AL 1.0 / 1.0 mm		095.0065.1	1095
19	Wire feed roll ST / AL 1.2 / 1.2 mm		095.0066.1	1095
20	Knurled screw M4	5 Pcs.	085.0113.5	1095

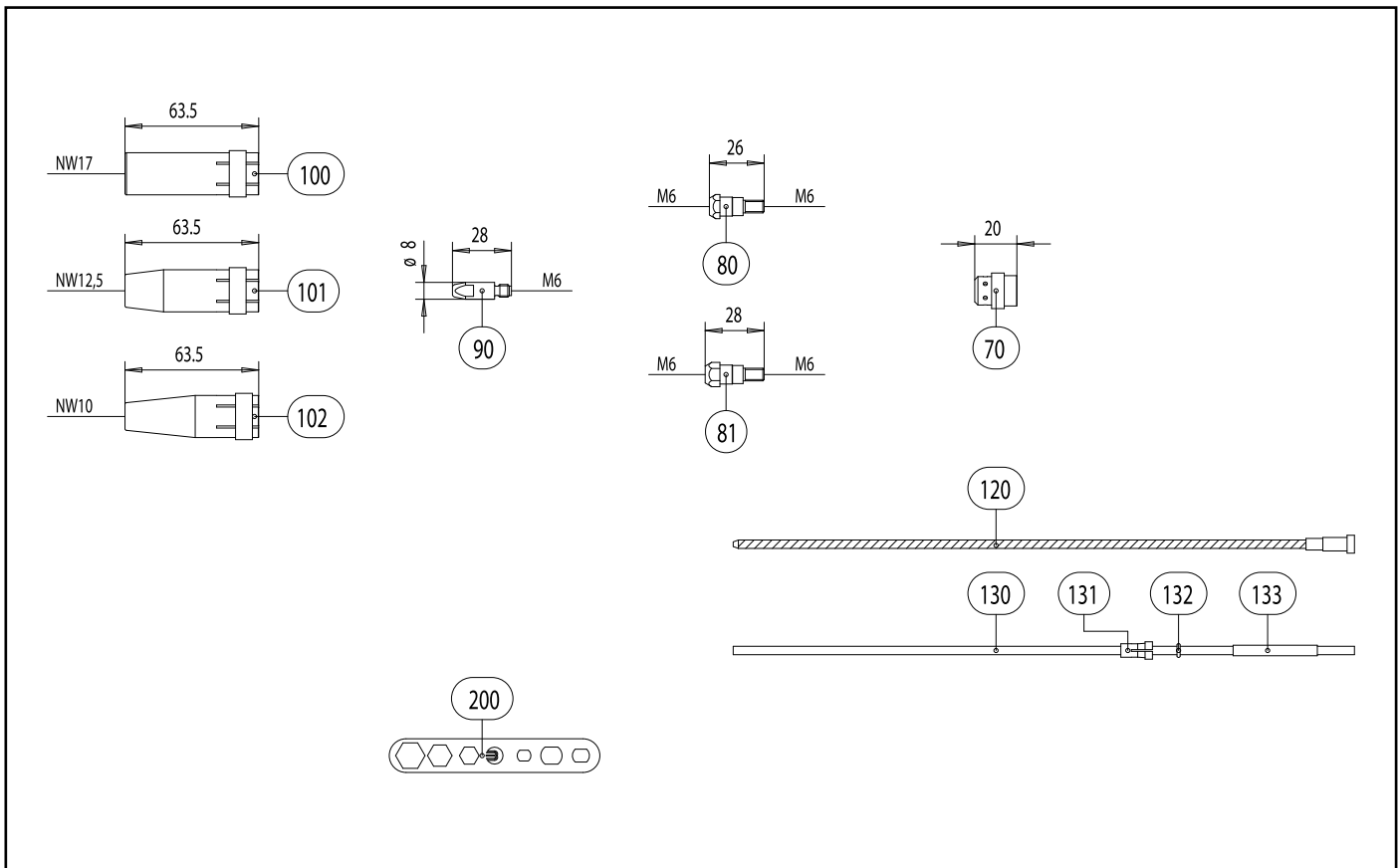


# MIG/MAG Welding Torches Push-Pull Plus 240 D



Pos.	Description	Units	Part-No.	Product-group
<b>Handle</b>				
25	Handle cpl. incl. mounting screws and extension material		085.0017	1095
27	Trigger 2-pole		185.0100	1095
32	Sheet metal screw 2.9x6.5	20 Pcs.	079.0003	9010
33	Potentiometerhousing cpl.		085.0016	1095
34	Potentiometer (2.0 k-Ohm)		187.0078	9010
34	Potentiometer (5.5 k-Ohm)		187.0076	9010
34	Potentiometer (10.0 k-Ohm)		187.0075	9010
34	Potentiometer (20.0 k-Ohm)		187.0079	9010
35	Potentiometer knob cpl.		085.0041	1095
<b>Printed circuit board</b>				
39	Printed circuit board for 42 V motor		080.0009	1095
<b>Cable assembly</b>				
40	Cable assembly cpl. 8.00 m with 7-pol. control leads without central adaptor GZ-2		095.0031	1095
41	Power cable Push Pull (PVC) for 8.00 m		115.0043	1012
42	Wire conduit cpl. for 8.00 m		156.0273	1012
43	Control lead cpl. 4-pole (0.4 m)		101.0054	1095
44	Control lead 7-pole; 0,34 qmm (100 m)	100 m	100.0034	4050
46	Plug	20 Pcs.	175.0004	9010
47	Hose 30 black Ø 4.9x1.5	100 m	109.0040	4050
48	Hose clamp Ø 8.2 mm with ring (mark 8.7)	100 Pcs.	173.0005	9010
49	Hose 47 blue Ø 5.5x1.5	100 m	109.0057	4050
49.1	Fastener cap blue	20 Pcs.	501.2424	1095
50	Hose 46 red Ø 5.5x1.5 cpl. with plug nipple ND 5; 0.6 m		103.0114	1095
50.1	Fastener cap red	20 Pcs.	501.2423	1095
51	Fabrics hose 28x1.5 mm (40 m)	40 m	107.0091	4050

# MIG/MAG Welding Torches Push-Pull Plus 240 D

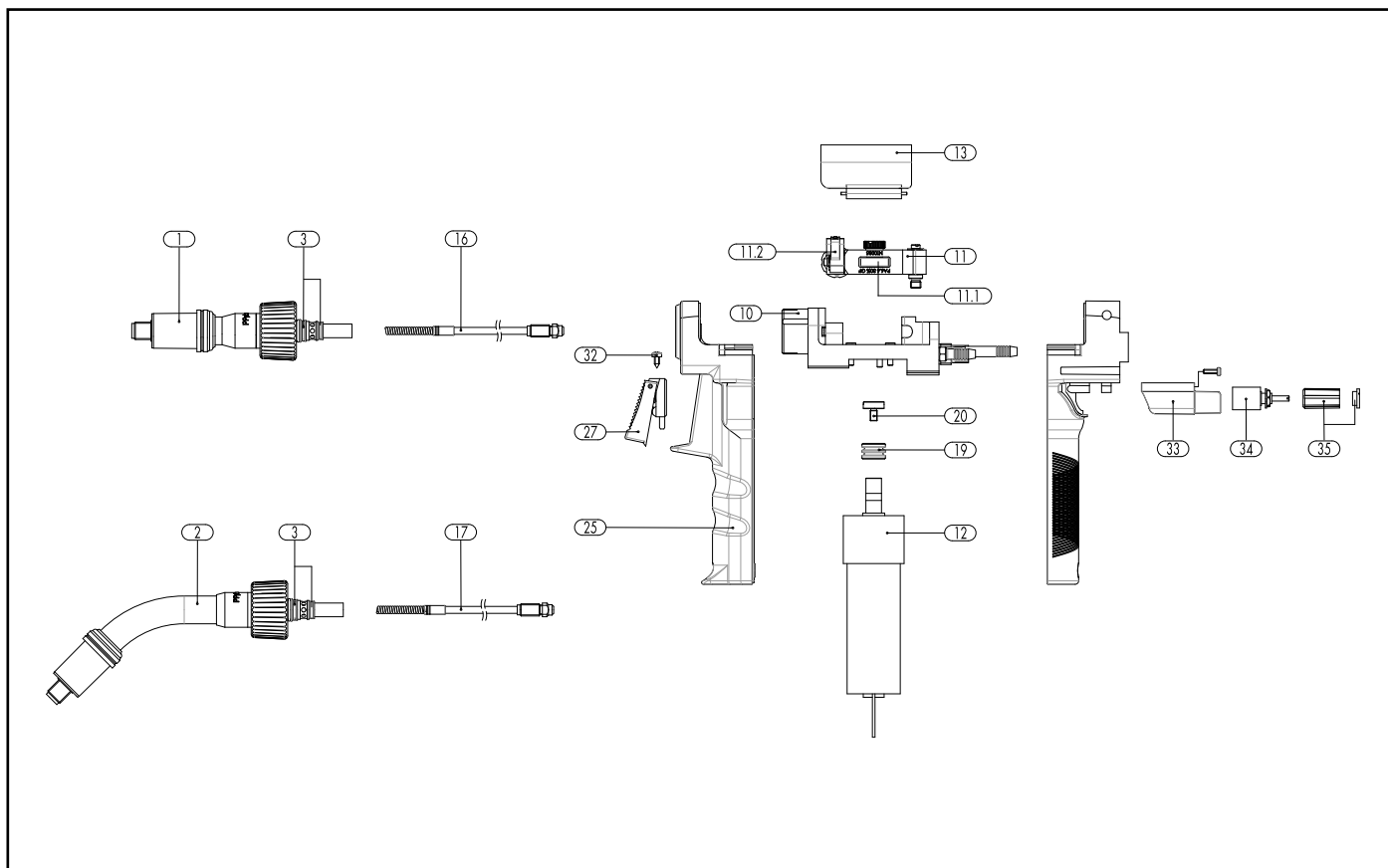


Pos.	Description	Units	Part-No.	Product-group
52	Cable support		400.1188	1095
53	Cable support fastening cpl.		400.1247	1095
54	Hose clamp $\varnothing$ 9.0 mm with ring (mark 9.5)	100 Pcs.	173.0001	9010
55	Plug nipple ND 5 mm / $\varnothing$ 6.0 mm	20 Pcs.	501.0114	9010
56	Cable support machine side big cpl. ND 31		500.0342	9010
56.1	Cable support spring big ND 31		500.0274	9010
57	Pan head screw M4x6	20 Pcs.	000.0552	9010
57.1	Screw cap 1	20 Pcs.	500.0251	9010
58	Hose clamp $\varnothing$ 9.5 mm with ring (mark 10.0)	100 Pcs.	173.0002	9010
59	Adaptor nut M33x2		500.0213	9010
60	Central adaptor WZ-2		501.0015	9010
61	Coupling nut M10x1	10 Pcs.	501.0082	9010
62	O-Ring 4x1	20 Pcs.	165.0002	9010
<b>Wear parts</b>				
70	Gas diffuser, white	10 Pcs.	012.0183	1032
70	Gas diffuser, silicone rubber	10 Pcs.	012.0243	1032
80	Contact tip holder M6; 26.0 mm	10 Pcs.	142.0003	1033
81	Contact tip holder M6; 28.0 mm	10 Pcs.	142.0010	1033
90	Contact tip M6 E-Cu; $\varnothing$ 0.8 (8x28)	10 Pcs.	140.0051	1030
90	Contact tip M6 E-Cu; $\varnothing$ 1.0 (8x28)	10 Pcs.	140.0242	1030
90	Contact tip M6 E-Cu; $\varnothing$ 1.2 (8x28)	10 Pcs.	140.0379	1030
90	Contact tip M6 CuCrZr; $\varnothing$ 0.8 (8x28)	10 Pcs.	140.0054	1031
90	Contact tip M6 CuCrZr; $\varnothing$ 1.0 (8x28)	10 Pcs.	140.0245	1031
90	Contact tip M6 CuCrZr; $\varnothing$ 1.2 (8x28)	10 Pcs.	140.0382	1031
90	Contact tip M6 E-Cu; $\varnothing$ 0.8 for alu wire (8x28)	10 Pcs.	141.0001	1030
90	Contact tip M6 E-Cu; $\varnothing$ 1.0 for alu wire (8x28)	10 Pcs.	141.0006	1030

# MIG/MAG Welding Torches Push-Pull Plus 240 D

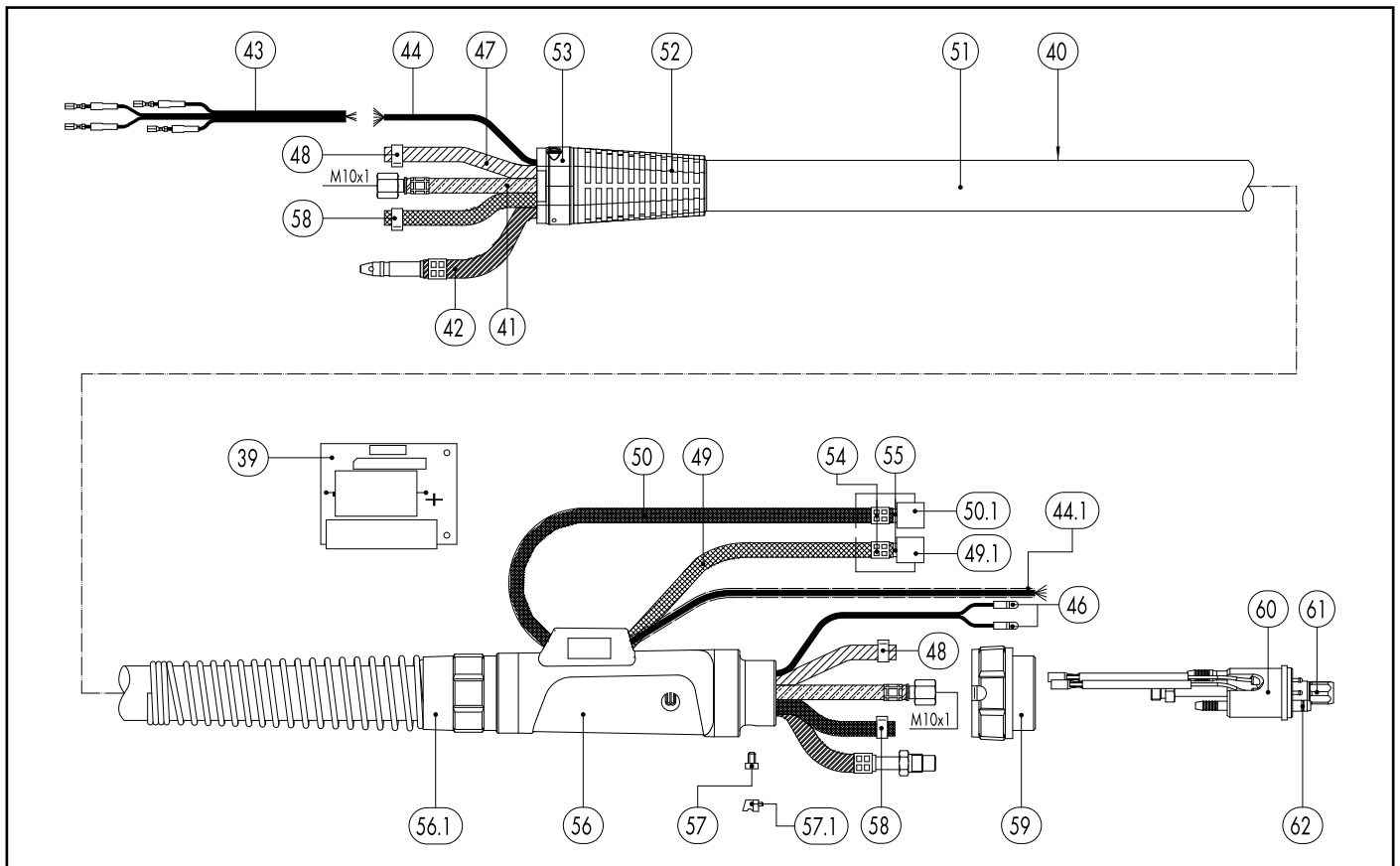
Pos.	Description	Units	Part-No.	Product-group
90	Contact tip M6 E-Cu; $\varnothing$ 1.2 for alu wire (8x28)	10 Pcs.	141.0010	1030
90	Contact tip M6 CuCrZr silver-plated; $\varnothing$ 0.8 (8x28)	10 Pcs.	147.0054	1031
90	Contact tip M6 CuCrZr silver-plated; $\varnothing$ 1.0 (8x28)	10 Pcs.	147.0245	1031
90	Contact tip M6 CuCrZr silver-plated; $\varnothing$ 1.2 (8x28)	10 Pcs.	147.0382	1031
100	Gas nozzle; cylindrical; ND $\varnothing$ 17.0	10 Pcs.	145.0047	1036
101	Gas nozzle; conical; ND $\varnothing$ 12.5	10 Pcs.	145.0080	1036
102	Gas nozzle; tapered; ND $\varnothing$ 10.0	10 Pcs.	145.0128	1036
120	Guide spiral liner blank; 2.0/4.5; for wire $\varnothing$ 0.8 - 1.2; for 8.00 m		122.0040	1034
130	PTFE core liner 2.0/4.0; red; wire electrode $\varnothing$ 0.8 - 1.2; for 8.00 m		126.0030	1034
130	PTFE carbon core liner 2.0/4.0; wire electrode $\varnothing$ 0.8 - 1.2; for 8.00 m		127.0009	1034
130	Polyamid core liner 2.0/4.0; wire electrode $\varnothing$ 0.8 - 1.2; for 8.00 m		128.0019	1034
131	Nipple for core liner at $\varnothing$ 4.0	20 Pcs.	131.0001	1095
132	O-Ring 3.5x1.5	20 Pcs.	165.0008	9010
133	Guide tube for core liners up to $\varnothing$ 4.0 (200 mm)	10 Pcs.	129.0461	1095
200	Spanner Standard		191.0001	9010

# MIG/MAG Welding Torches Push-Pull Plus 401 D



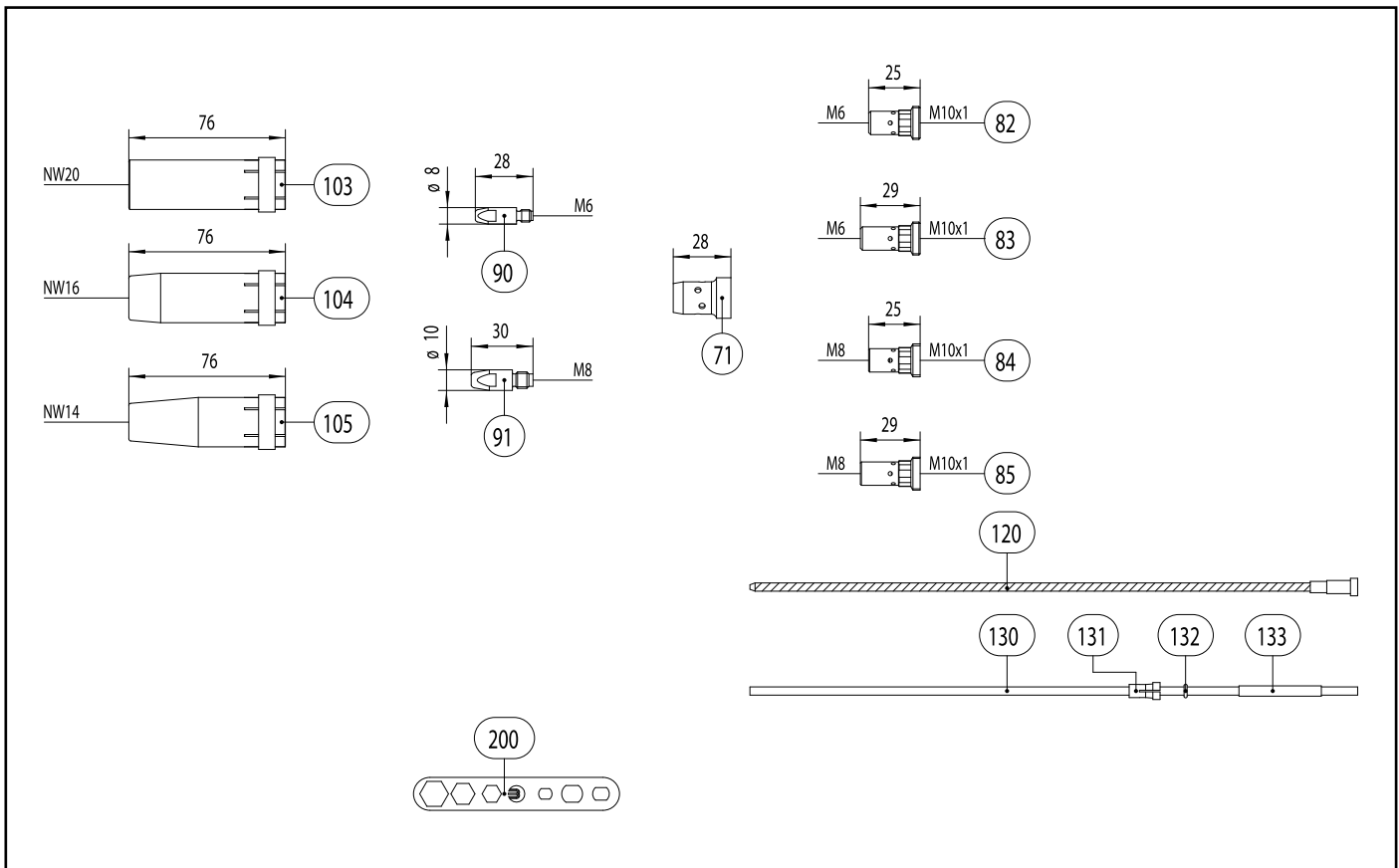
Pos.	Description	Units	Part-No.	Product-group
<b>Torch</b>				
	Push-Pull Plus 401 D; straight; 40 V motor; central adaptor WZ-2; 8.00 m		095.0100.1	1029
	Push-Pull Plus 401 D; 45° bent; 40 V motor; central adaptor WZ-2; 8.00 m		095.0101.1	1029
	Push-Pull Plus 401 D; straight; 40 V motor; poti 10 k-Ohm, central adaptor WZ-2; 8.00 m		095.0114.1	1029
	Push-Pull Plus 401 D; 45° bent; 40 V motor; poti 10 k-Ohm, central adaptor WZ-2; 8.00 m		095.0115.1	1029
<b>Swan neck</b>				
1	Swan neck PP Plus 401 D; straight		095.0002	1009
2	Swan neck PP Plus 401 D; 45° bent		095.0015	1009
3	Wear parts set gasket rings		095.0001	1095
<b>Torch body, gear motor and equipment</b>				
10	Torch adaptor cpl.		095.0032	1095
11	Pressure trigger cpl.		085.0018	1095
11.1	Pressure roll		085.0042	1095
11.2	Pressure button cpl.		085.0043	1095
12	Gear motor 24 V DC		085.0102.1	1095
12	Gear motor 40 V DC		085.0103.1	1095
13	Cover cpl.		095.0009	1095
16	Neckliner for wire Ø 0.8-1.0 mm (length=134 mm)	3 Pcs.	149.0264.3	1034
16	Neckliner for wire Ø 1.2-1.6 mm (length=134 mm)	3 Pcs.	149.0265.3	1034
17	Neckliner for wire Ø 0.8-1.0 mm (length=194 mm)	3 Pcs.	149.0266.3	1034
17	Neckliner for wire Ø 1.2-1.6 mm (length=194 mm)	3 Pcs.	149.0267.3	1034
19	Wire feed roll ST / AL 0.8 / 0.8 mm		095.0064.1	1095
19	Wire feed roll ST / AL 1.0 / 1.0 mm		095.0065.1	1095
19	Wire feed roll ST / AL 1.2 / 1.2 mm		095.0066.1	1095
19	Wire drive roll 1.6/1.6 PP Plus / universal / D-form		095.0067.1	1095
20	Knurled screw M4	5 Pcs.	085.0113.5	1095

# MIG/MAG Welding Torches Push-Pull Plus 401 D



Pos.	Description	Units	Part-No.	Product-group
<b>Handle</b>				
25	Handle cpl. incl. mounting screws and extension material		085.0017	1095
27	Trigger 2-pole		185.0100	1095
32	Sheet metal screw 2.9x6.5	20 Pcs.	079.0003	9010
33	Potentiometerhousing cpl.		085.0016	1095
34	Potentiometer (2.0 k-Ohm)		187.0078	9010
34	Potentiometer (5.5 k-Ohm)		187.0076	9010
34	Potentiometer (10.0 k-Ohm)		187.0075	9010
34	Potentiometer (20.0 k-Ohm)		187.0079	9010
35	Potentiometer knob cpl.		085.0041	1095
<b>Printed circuit board</b>				
39	Printed circuit board for 42 V motor		080.0009	1095
<b>Cable assembly</b>				
40	Cable assembly cpl. 8.00 m with 7-pol. control leads without central adaptor GZ-2		095.0031	1095
41	Power cable Push Pull (PVC) for 8.00 m		115.0043	1012
42	Wire conduit cpl. for 8.00 m		156.0273	1012
43	Control lead cpl. 4-pole (0.4 m)		101.0054	1095
44	Control lead 7-pole; 0,34 qmm (100 m)	100 m	100.0034	4050
46	Plug	20 Pcs.	175.0004	9010
47	Hose 30 black Ø 4.9x1.5	100 m	109.0040	4050
48	Hose clamp Ø 8.2 mm with ring (mark 8.7)	100 Pcs.	173.0005	9010
49	Hose 47 blue Ø 5.5x1.5	100 m	109.0057	4050
49.1	Fastener cap blue	20 Pcs.	501.2424	1095
50	Hose 46 red Ø 5.5x1.5 cpl. with plug nipple ND 5; 0.6 m		103.0114	1095
50.1	Fastener cap red	20 Pcs.	501.2423	1095
51	Fabrics hose 28x1.5 mm (40 m)	40 m	107.0091	4050

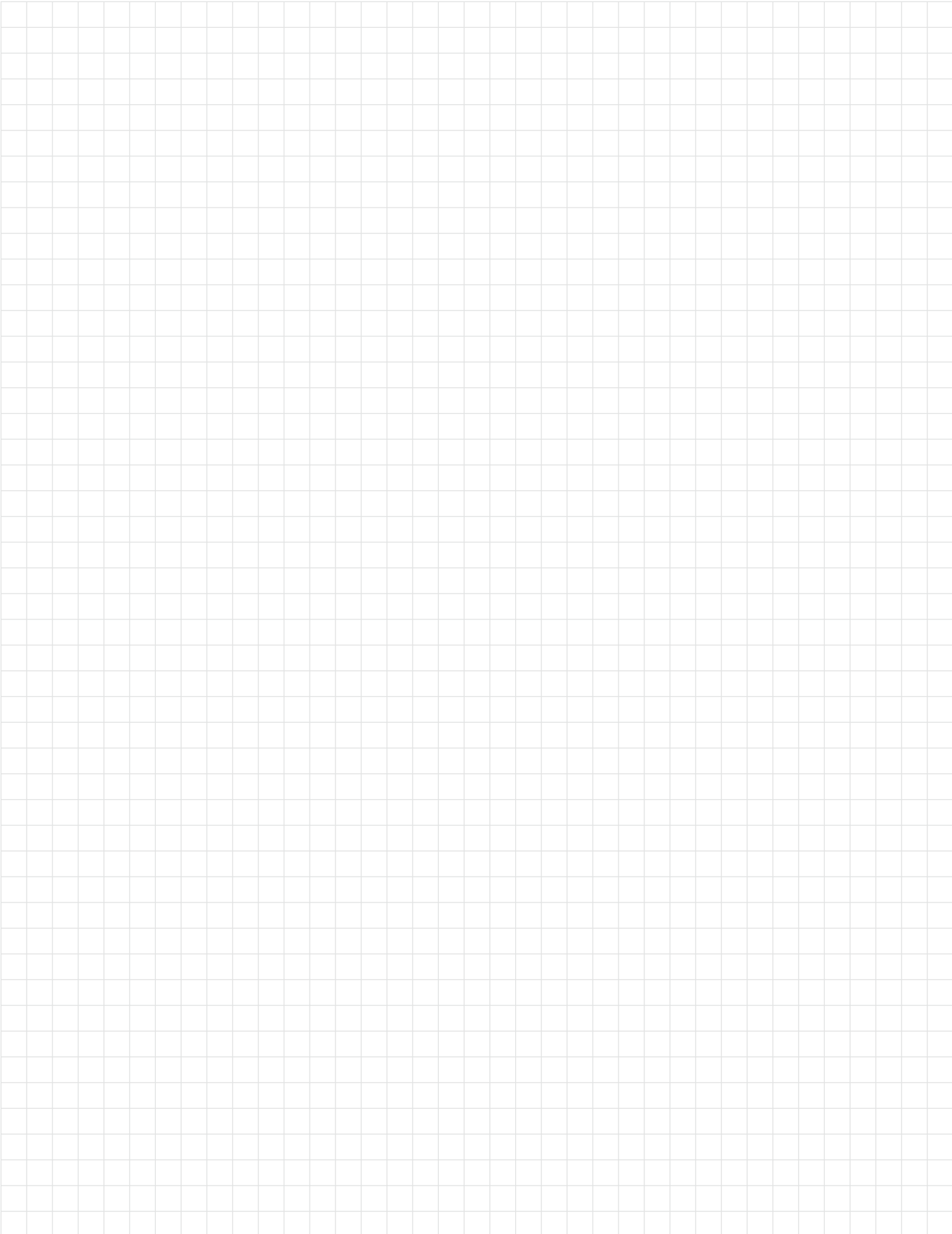
# MIG/MAG Welding Torches Push-Pull Plus 401 D



Pos.	Description	Units	Part-No.	Product-group
52	Cable support		400.1188	1095
53	Cable support fastening cpl.		400.1247	1095
54	Hose clamp Ø 9.0 mm with ring (mark 9.5)	100 Pcs.	173.0001	9010
55	Plug nipple ND 5 mm / Ø 6.0 mm	20 Pcs.	501.0114	9010
56	Cable support machine side big cpl. ND 31		500.0342	9010
56.1	Cable support spring big ND 31		500.0274	9010
57	Pan head screw M4x6	20 Pcs.	000.0552	9010
57.1	Screw cap 1	20 Pcs.	500.0251	9010
58	Hose clamp Ø 9.5 mm with ring (mark 10.0)	100 Pcs.	173.0002	9010
59	Adaptor nut M33x2		500.0213	9010
60	Central adaptor WZ-2		501.0015	9010
61	Coupling nut M10x1	10 Pcs.	501.0082	9010
62	O-Ring 4x1	20 Pcs.	165.0002	9010
<b>Wear parts</b>				
71	Gas diffuser, white	10 Pcs.	030.0145	1032
71	Gas diffuser, long life	10 Pcs.	030.0037	1032
71	Gas diffuser, ceramic	10 Pcs.	030.0190	1032
82	Contact tip holder M6; 25.0 mm (short)	10 Pcs.	142.0008	1033
83	Contact tip holder M6; 29.0 mm (long)	10 Pcs.	142.0013	1033
84	Contact tip holder M8; 25.0 mm (short)	10 Pcs.	142.0022	1033
	Contact tip holder M8; 27.0 mm; CuCrZr	10 Pcs.	142.0201.10	1033
85	Contact tip holder M8; 29.0 mm (long)	10 Pcs.	142.0027	1033
90	Contact tip M6 E-Cu; Ø 0.8 (8x28)	10 Pcs.	140.0051	1030
90	Contact tip M6 E-Cu; Ø 1.0 (8x28)	10 Pcs.	140.0242	1030
90	Contact tip M6 E-Cu; Ø 1.2 (8x28)	10 Pcs.	140.0379	1030
90	Contact tip M6 E-Cu; Ø 1.4 (8x28)	10 Pcs.	140.0516	1030

# MIG/MAG Welding Torches Push-Pull Plus 401 D

Pos.	Description	Units	Part-No.	Product-group
90	Contact tip M6 E-Cu; Ø 1.6 (8x28)	10 Pcs.	140.0555	1030
90	Contact tip M6 CuCrZr; Ø 0.8 (8x28)	10 Pcs.	140.0054	1031
90	Contact tip M6 CuCrZr; Ø 1.0 (8x28)	10 Pcs.	140.0245	1031
90	Contact tip M6 CuCrZr; Ø 1.2 (8x28)	10 Pcs.	140.0382	1031
90	Contact tip M6 CuCrZr; Ø 1.4 (8x28)	10 Pcs.	140.0519	1031
90	Contact tip M6 CuCrZr; Ø 1.6 (8x28)	10 Pcs.	140.0558	1031
90	Contact tip M6 E-Cu; Ø 0.8 for alu wire (8x28)	10 Pcs.	141.0001	1030
90	Contact tip M6 E-Cu; Ø 1.0 for alu wire (8x28)	10 Pcs.	141.0006	1030
90	Contact tip M6 E-Cu; Ø 1.2 for alu wire (8x28)	10 Pcs.	141.0010	1030
90	Contact tip M6 E-Cu; Ø 1.6 for alu wire (8x28)	10 Pcs.	141.0020	1030
90	Contact tip M6 CuCrZr silver-plated; Ø 0.8 (8x28)	10 Pcs.	147.0054	1031
90	Contact tip M6 CuCrZr silver-plated; Ø 1.0 (8x28)	10 Pcs.	147.0245	1031
90	Contact tip M6 CuCrZr silver-plated; Ø 1.2 (8x28)	10 Pcs.	147.0382	1031
91	Contact tip M8 E-Cu; Ø 0.8 (10x30)	10 Pcs.	140.0114	1030
91	Contact tip M8 E-Cu; Ø 1.0 (10x30)	10 Pcs.	140.0313	1030
91	Contact tip M8 E-Cu; Ø 1.2 (10x30)	10 Pcs.	140.0442	1030
91	Contact tip M8 E-Cu; Ø 1.4 (10x30)	10 Pcs.	140.0533	1030
91	Contact tip M8 E-Cu; Ø 1.6 (10x30)	10 Pcs.	140.0587	1030
91	Contact tip M8 CuCrZr; Ø 0.8 (10x30)	10 Pcs.	140.0117	1031
91	Contact tip M8 CuCrZr; Ø 1.0 (10x30)	10 Pcs.	140.0316	1031
91	Contact tip M8 CuCrZr; Ø 1.2 (10x30)	10 Pcs.	140.0445	1031
91	Contact tip M8 CuCrZr; Ø 1.4 (10x30)	10 Pcs.	140.0536	1031
91	Contact tip M8 CuCrZr; Ø 1.6 (10x30)	10 Pcs.	140.0590	1031
91	Contact tip M8 E-Cu; Ø 0.8 for alu wire (10x30)	10 Pcs.	141.0003	1030
91	Contact tip M8 E-Cu; Ø 1.0 for alu wire (10x30)	10 Pcs.	141.0008	1030
91	Contact tip M8 E-Cu; Ø 1.2 for alu wire (10x30)	10 Pcs.	141.0015	1030
91	Contact tip M8 E-Cu; Ø 1.6 for alu wire (10x30)	10 Pcs.	141.0022	1030
91	Contact tip M8 CuCrZr silver-plated; Ø 0.8 (10x30)	10 Pcs.	147.0117	1031
91	Contact tip M8 CuCrZr silver-plated; Ø 1.0 (10x30)	10 Pcs.	147.0316	1031
91	Contact tip M8 CuCrZr silver-plated; Ø 1.2 (10x30)	10 Pcs.	147.0445	1031
91	Contact tip M8 CuCrZr silver-plated; Ø 1.4 (10x30)	10 Pcs.	147.0536	1031
91	Contact tip M8 CuCrZr silver-plated; Ø 1.6 (10x30)	10 Pcs.	147.0590	1031
103	Gas nozzle; cylindrical; ND Ø 20.0	10 Pcs.	145.0051	1037
104	Gas nozzle; conical; ND Ø 16.0	10 Pcs.	145.0085	1037
105	Gas nozzle; tapered; ND Ø 14.0	10 Pcs.	145.0132	1037
120	Guide spiral liner blank; 2.0/4.5; for wire Ø 0.8-1.2; for 8.00 m		122.0040	1034
120	Guide spiral liner blank; 2.5/4.5; for wire Ø 1.4-1.6; for 8.00 m		122.0065	1034
130	PTFE core liner 2.0/4.0; red; wire electrode Ø 0.8-1.2; for 8.00 m		126.0030	1034
130	PTFE core liner 2.7/4.7; yellow; wire electrode Ø 1.4-1.6; for 8.00 m		126.0047	1034
130	PTFE carbon core liner 2.0/4.0; wire electrode Ø 0.8-1.2; for 8.00 m		127.0009	1034
130	PTFE carbon core liner 2.7/4.7; wire electrode Ø 1.4-1.6; for 8.00 m		127.0014	1034
130	Polyamid core liner 2.0/4.0; wire electrode Ø 0.8-1.2; for 8.00 m		128.0019	1034
130	Polyamid core liner 2.3/4.7; wire electrode Ø 1.4-1.6; for 8.00 m		128.0023	1034
131	Nipple for core liner at Ø 4.0	20 Pcs.	131.0001	1095
131	Nipple for core liner at Ø 4.7	20 Pcs.	131.0002	1095
132	O-Ring 3.5x1.5	20 Pcs.	165.0008	9010
133	Guide tube for core liners up to Ø 4.0 (200 mm)	10 Pcs.	129.0461	1095
200	Spanner Standard		191.0001	9010





MIG/MAG Fume Extraction Torches

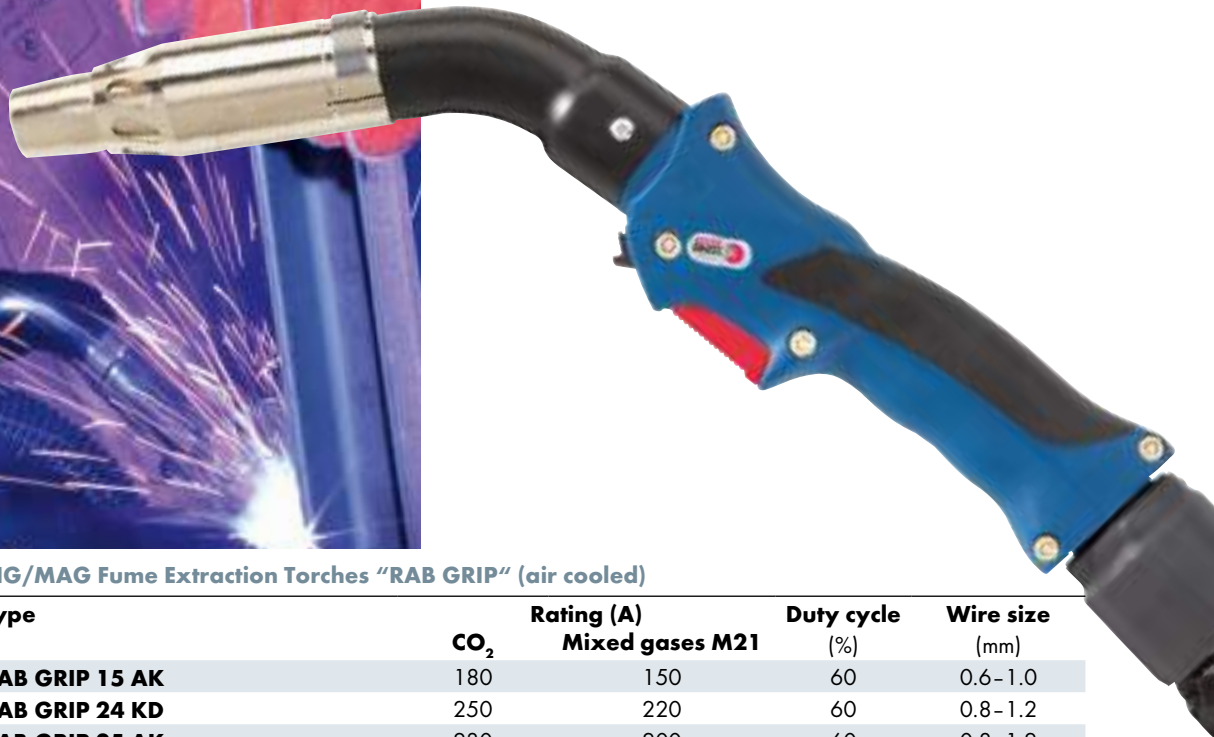
# RAB GRIP

## air and liquid cooled

**“The clean solution”**

Every welding job generates fumes and smoke that might be hazardous if inhaled. Based on the well-established torch series “MB” the RAB GRIP fume extraction torches offer efficient fume extraction through the torch. Special design solutions guarantee efficient smoke removal directly at its source without affecting the protective gas shield.

- Direct extraction at the arc – provides a permanent protection of the welder’s respiratory organs
- Problem-free installation in all existing MIG/MAG welding stations
- Small extraction tube diameter – better accessibility
- Aluminum extraction tube – considerable saving of weight
- Handle with extraction control and swivel joint – optimized handling
- A cable assembly with smaller diameters for all types – lower handling weight, optimum flexibility



**Technical data  
(EN 60 974-7)**

**MIG/MAG Fume Extraction Torches “RAB GRIP” (air cooled)**

Type	Rating (A)		Duty cycle (%)	Wire size (mm)
	CO <sub>2</sub>	Mixed gases M21		
<b>RAB GRIP 15 AK</b>	180	150	60	0.6-1.0
<b>RAB GRIP 24 KD</b>	250	220	60	0.8-1.2
<b>RAB GRIP 25 AK</b>	230	200	60	0.8-1.2
<b>RAB GRIP 36 KD</b>	300	270	60	0.8-1.2

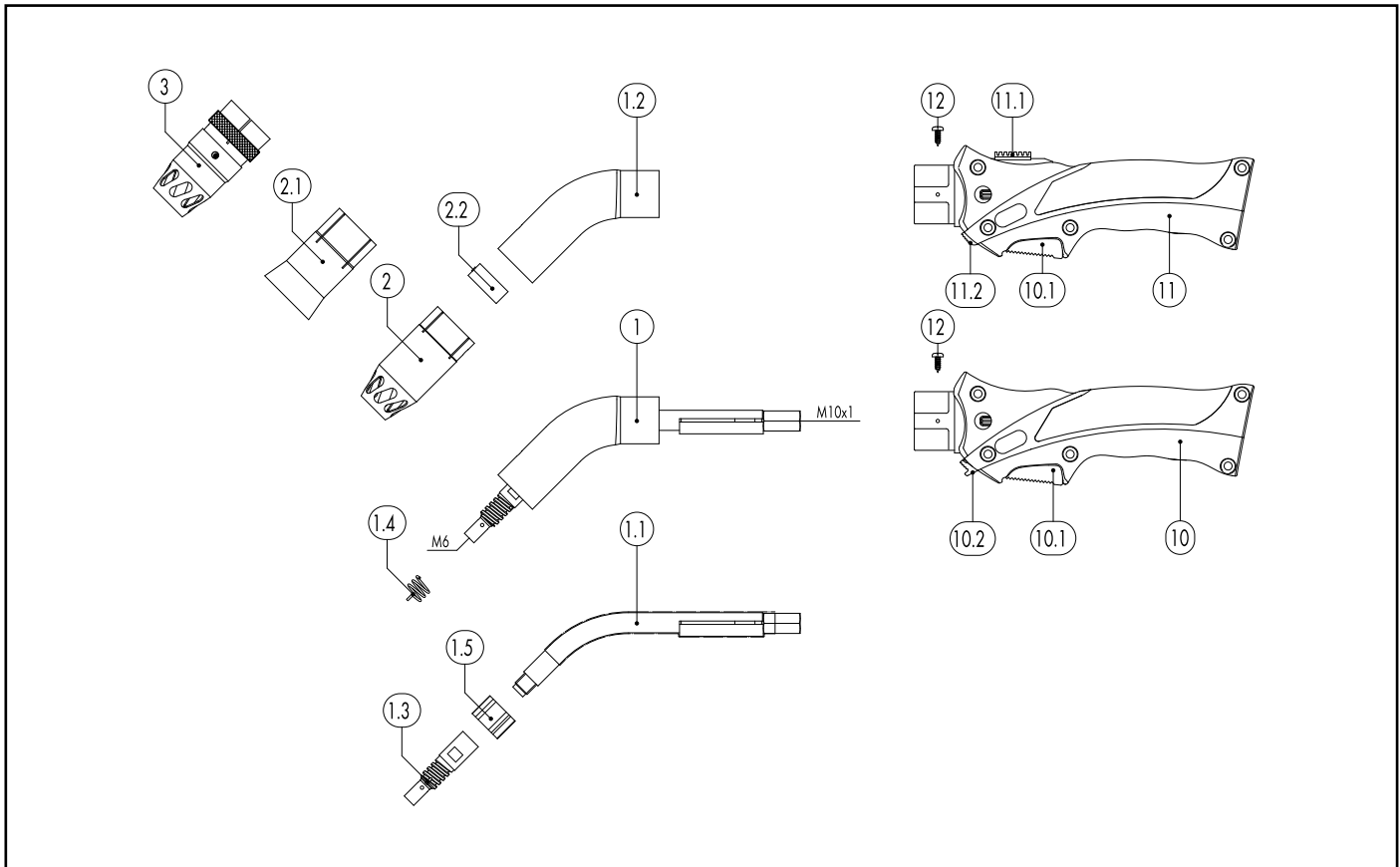
Subject to change without notice.

**MIG/MAG Fume Extraction Torches “RAB GRIP” (liquid cooled)**

Type	Rating (A)		Duty cycle (%)	Wire size (mm)
	CO <sub>2</sub>	Mixed gases M21		
<b>RAB GRIP 240 D</b>	300	270	100	0.8-1.2
<b>RAB GRIP 501</b>	550	500	100	1.0-1.6
<b>RAB GRIP 501 D</b>	500	450	100	1.0-1.6

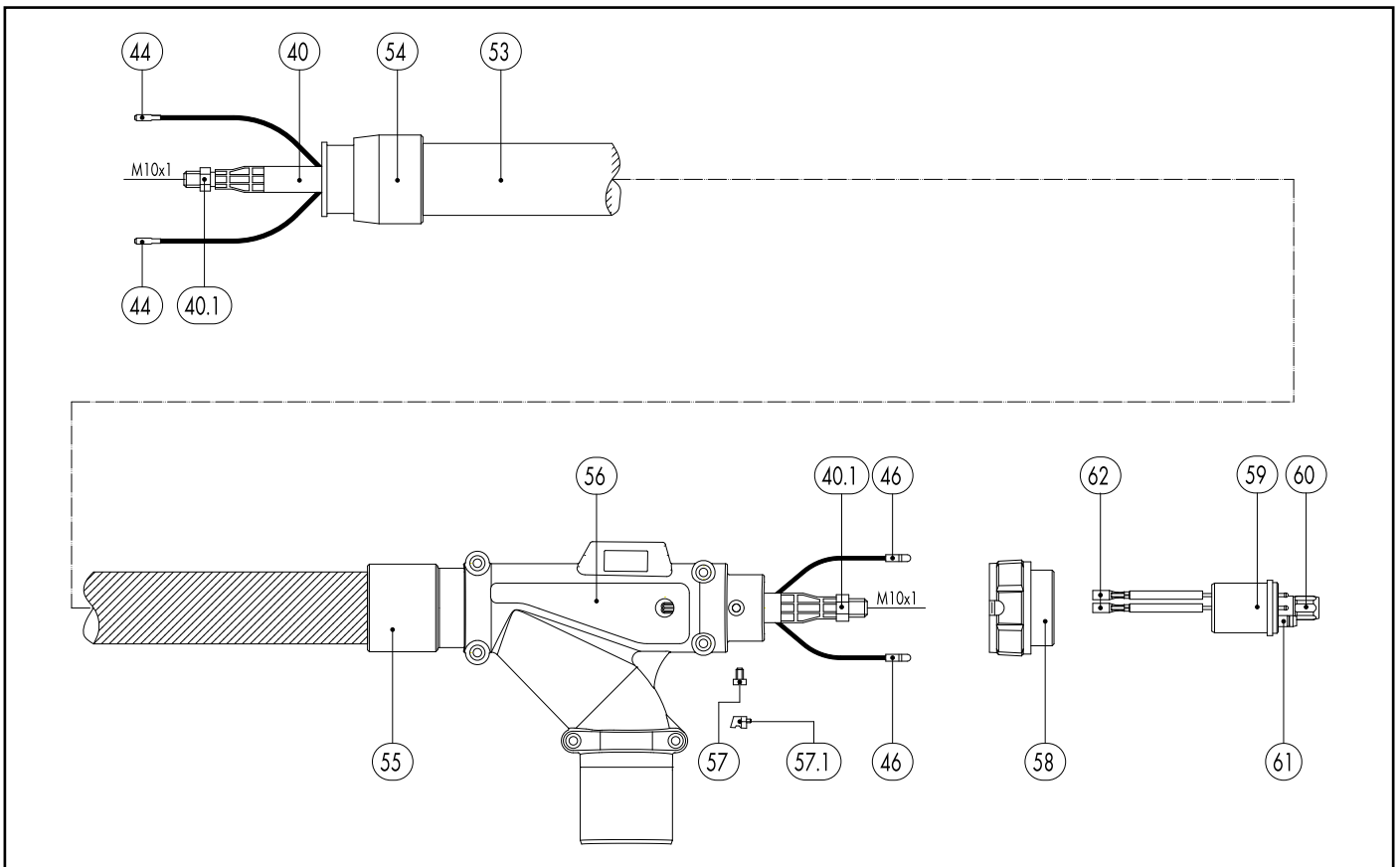
Subject to change without notice.

# MIG/MAG Fume Extraction Torches RAB GRIP 15 AK



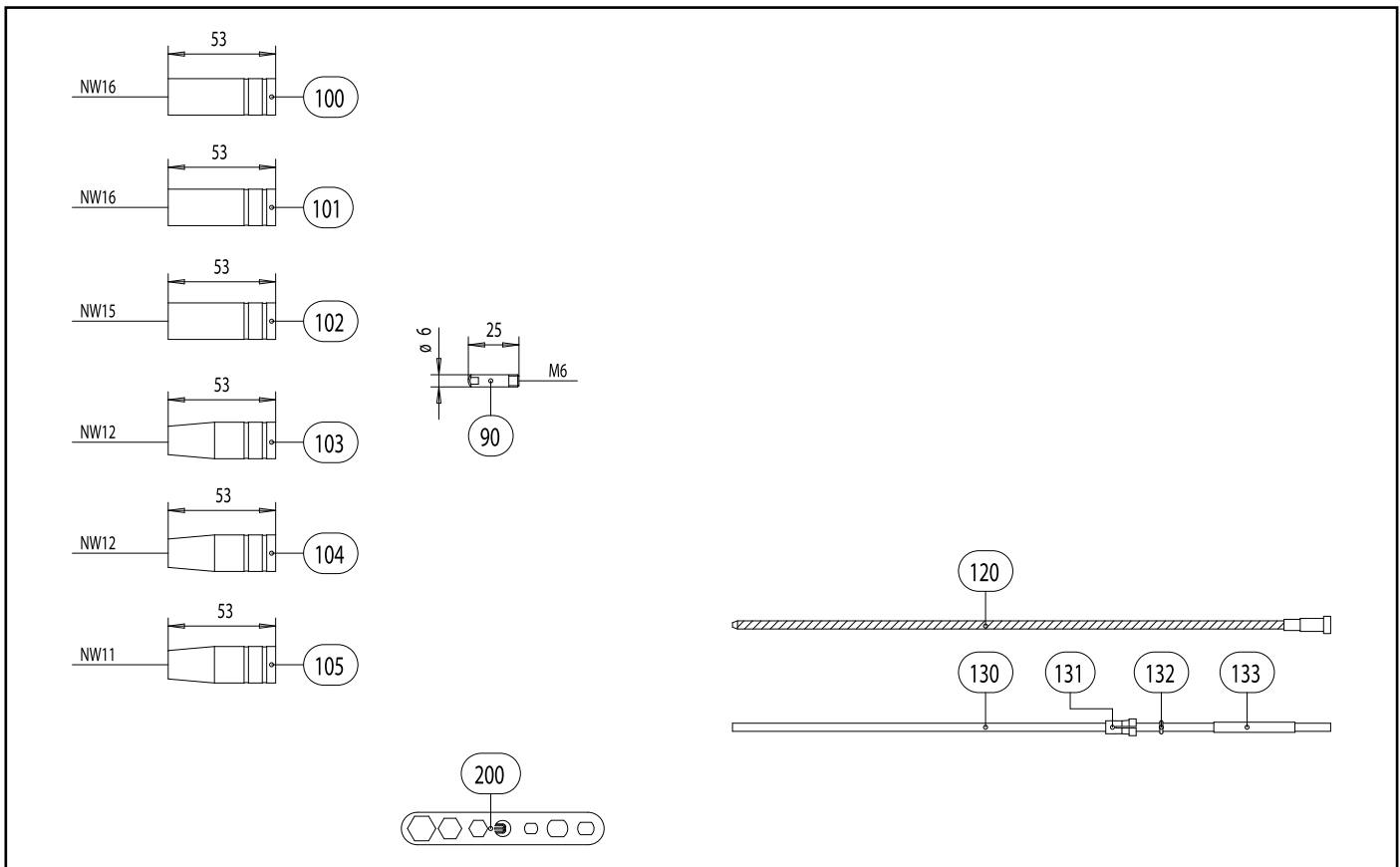
Pos.	Description	Units	Part-No.	Product-group
<b>Torch (Suction nozzle with spring clip, feed air slide below)</b>				
	RAB GRIP 15 AK; central adaptor KZ-2; 3.00 m		602.3001.1	1620
	RAB GRIP 15 AK; central adaptor KZ-2; 4.00 m		602.3002.1	1620
	RAB GRIP 15 AK; central adaptor KZ-2; 5.00 m		602.3003.1	1620
<b>Torch (Suction nozzle with Quicklock, feed air slide on top)</b>				
	RAB GRIP 15 AK Quicklock; central adaptor KZ-2; 3.00 m		602.3008.1	1620
	RAB GRIP 15 AK Quicklock; central adaptor KZ-2; 4.00 m		602.3009.1	1620
	RAB GRIP 15 AK Quicklock; central adaptor KZ-2; 5.00 m		602.3010.1	1620
<b>Swan neck</b>				
1	Swan neck RAB GRIP 15 AK; 45° bent		602.3004.1	1007
1.1	Inner neck; 45° bent		602.2002	1095
1.2	Outer neck		600.3007.1	1095
1.3	Gas nozzle holder AUT 15 AK	10 Pcs.	902.0007	1095
1.4	Nozzle spring	100 Pcs.	002.0058	1095
1.5	Insulating part		602.2003	1095
<b>Fume shroud</b>				
2	Fume shroud with spring clip (type 15)		600.2047.1	1602
2.1	Fume shroud (funnel)		602.0040	1602
2.2	Spring clip		600.2037	1095
3	Fume shroud with Quicklock (type 15)		600.3017.1	1602
<b>Handle RAB GRIP standard</b>				
10	Handle RAB GRIP Standard (feed air slide below)		180.0138.1	1095
10.1	Trigger 2-pole GRIP		185.0101	9010
10.2	Supply air slide RAB GRIP	10 Pcs.	400.1452.10	9010
<b>Handle RAB GRIP ZO</b>				
11	Handle RAB GRIP ZO (feed air slide on top)		180.0144.1	1095

# MIG/MAG Fume Extraction Torches RAB GRIP 15 AK



Pos.	Description	Units	Part-No.	Product-group
11.1	Supply air slide cpl. For RAB GRIP handle ZO		400.1631.1	1095
11.2	Sealing cover	10 Pcs.	400.1496.10	1095
<b>Cable assembly</b>				
40	Bikox® LW power cable, R4 for 3.00 m		160.H025.1	1511
40	Bikox® LW power cable, R4 for 4.00 m		160.H026.1	1511
40	Bikox® LW power cable, R4 for 5.00 m		160.H027.1	1511
40.1	Hexagon nut M10x1	10 Pcs.	001.0009	9010
44	Trigger wire connector	20 Pcs.	175.0022	9010
46	Plug	20 Pcs.	175.0004	9010
53	Hose 33 black LW 32 R	30 m	109.0043	4050
54	Connection sleeve RAB GRIP 15 / 24 / 25 / 36		600.2008	1095
55	Connector cpl. LW 32 for RAB GRIP		600.3005.1	1095
56	Connection housing cpl. For RAB GRIP		501.2591.1	1095
57	Pan head screw M4x6	20 Pcs.	000.0552	9010
57.1	Screw cap 1	20 Pcs.	500.0251	9010
58	Adaptor nut M33x2		500.0213	9010
59	Central adaptor KZ-2		501.0003	1095
60	Coupling nut M10x1	10 Pcs.	501.0082	9010
61	O-Ring 4x1	20 Pcs.	165.0002	9010
62	Trigger wire connector; female	20 Pcs.	175.0003	9010
<b>Wear parts</b>				
90	Contact tip M6 E-Cu; Ø 0.8 (6x25)	10 Pcs.	140.0059	1030
90	Contact tip M6 E-Cu; Ø 1.0 (6x25)	10 Pcs.	140.0253	1030
90	Contact tip M6 CuCrZr; Ø 0.8 (6x25)	10 Pcs.	140.0062	1031
90	Contact tip M6 CuCrZr; Ø 1.0 (6x25)	10 Pcs.	140.0256	1031
90	Contact tip M6 E-Cu; Ø 0.8 for alu wire (6x25)	10 Pcs.	141.0002	1030

# MIG/MAG Fume Extraction Torches RAB GRIP 15 AK

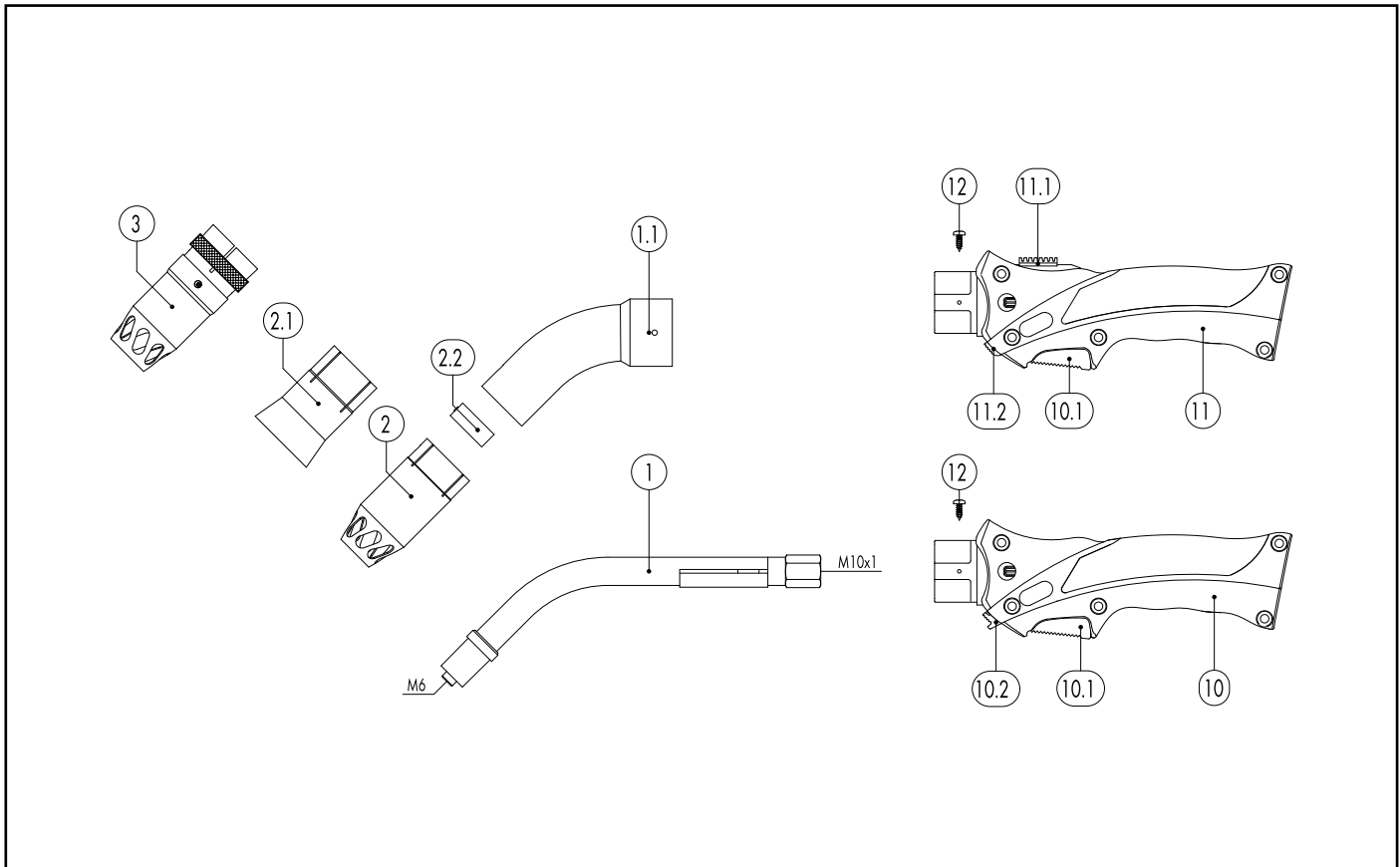


Pos.	Description	Units	Part-No.	Product-group
90	Contact tip M6 E-Cu; Ø 1.0 for alu wire (6x25)	10 Pcs.	141.0007	1030
90	Contact tip M6 CuCrZr silver-plated; Ø 0.8 (6x25)	10 Pcs.	147.0062	1031
90	Contact tip M6 CuCrZr silver-plated; Ø 1.0 (6x25)	10 Pcs.	147.0256	1031
100	Gas nozzle; cylindrical; ND Ø 16.0	10 Pcs.	145.0041	1036
101	Gas nozzle; cylindrical with extended insulation; ND Ø 16.0	10 Pcs.	145.0067	1036
102	Gas nozzle; cylindrical; heavy duty; ND Ø 15.0	10 Pcs.	145.0072	1036
103	Gas nozzle; conical; ND Ø 12.0	10 Pcs.	145.0075	1036
104	Gas nozzle; conical; with extended insulation; ND Ø 12.0	10 Pcs.	145.0107	1036
105	Gas nozzle; conical; heavy duty; ND Ø 11.0	10 Pcs.	145.0116	1036
120	Guide spiral liner insulated; 1.5/4.5; blue; for wire Ø 0.6-0.8; for 3.00 m		124.0011	1034
120	Guide spiral liner insulated; 1.5/4.5; blue; for wire Ø 0.6-0.8; for 4.00 m		124.0012	1034
120	Guide spiral liner insulated; 1.5/4.5; blue; for wire Ø 0.6-0.8; for 5.00 m		124.0015	1034
120	Guide spiral liner insulated; 2.0/4.5; red; for wire Ø 1.0-1.2; for 3.00 m		124.0026	1034
120	Guide spiral liner insulated; 2.0/4.5; red; for wire Ø 1.0-1.2; for 4.00 m		124.0031	1034
120	Guide spiral liner insulated; 2.0/4.5; red; for wire Ø 1.0-1.2; for 5.00 m		124.0035	1034
130	PTFE core liner 1.5/4.0; blue; wire electrode Ø 0.8-1.0; for 3.00 m		126.0005	1034
130	PTFE core liner 1.5/4.0; blue; wire electrode Ø 0.8-1.0; for 4.00 m		126.0008	1034
130	PTFE core liner 1.5/4.0; blue; wire electrode Ø 0.8-1.0; for 5.00 m		126.0011	1034
130	PTFE carbon core liner 1.5/4.0; wire electrode Ø 0.8-1.0; for 3.00 m		127.0002	1034
130	PTFE carbon core liner 1.5/4.0; wire electrode Ø 0.8-1.0; for 4.00 m		127.0003	1034
130	PTFE carbon core liner 1.5/4.0; wire electrode Ø 0.8-1.0; for 5.00 m		127.0004	1034
131	Nipple for core liner at Ø 4.0	20 Pcs.	131.0001	1095
132	O-Ring 3.5x1.5	20 Pcs.	165.0008	9010
133	Guide tube for core liners up to Ø 4.0 (200 mm)	10 Pcs.	129.0461	1095
200	Spanner Standard		191.0001	9010

# Notes

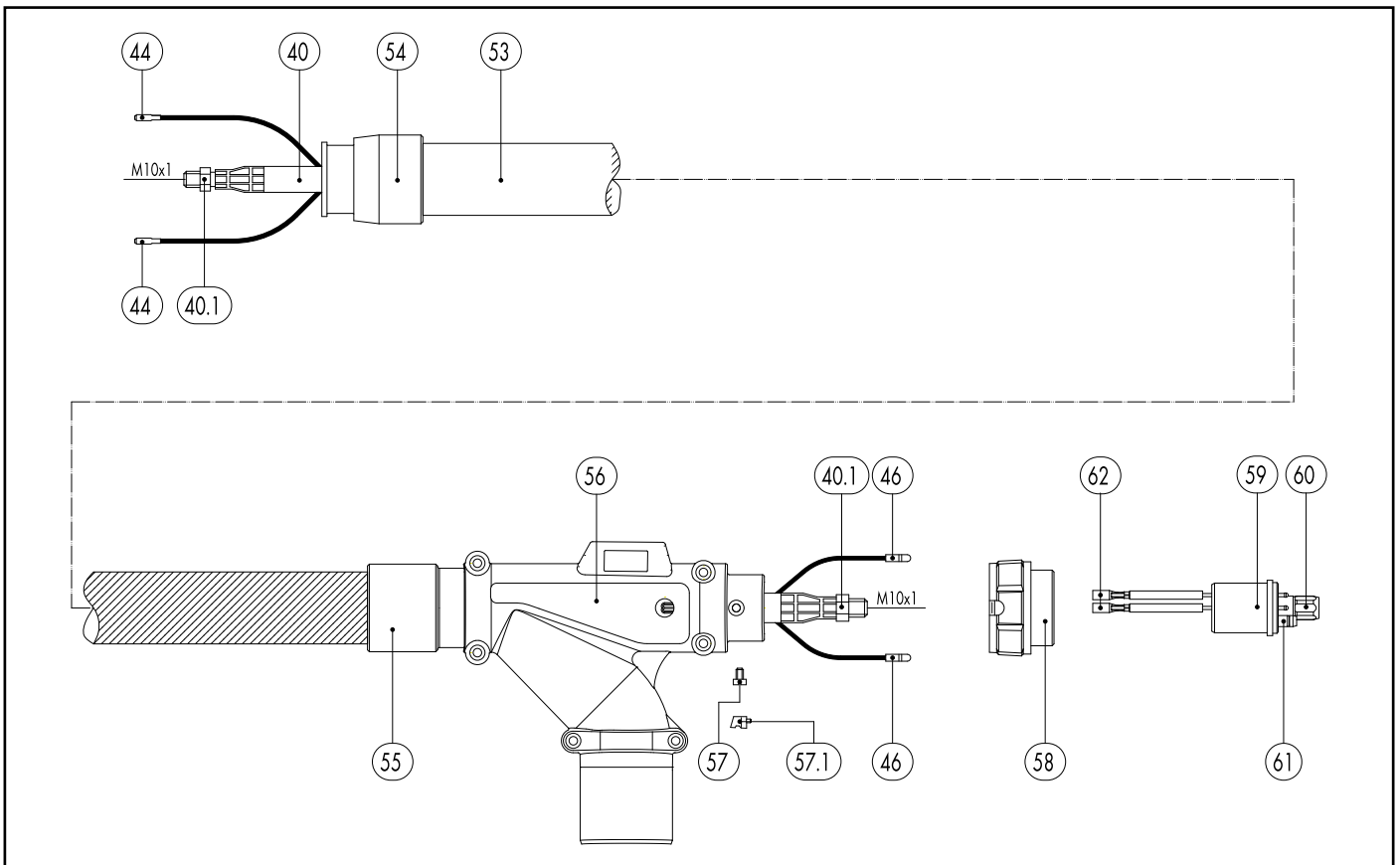


# MIG/MAG Fume Extraction Torches RAB GRIP 24 KD



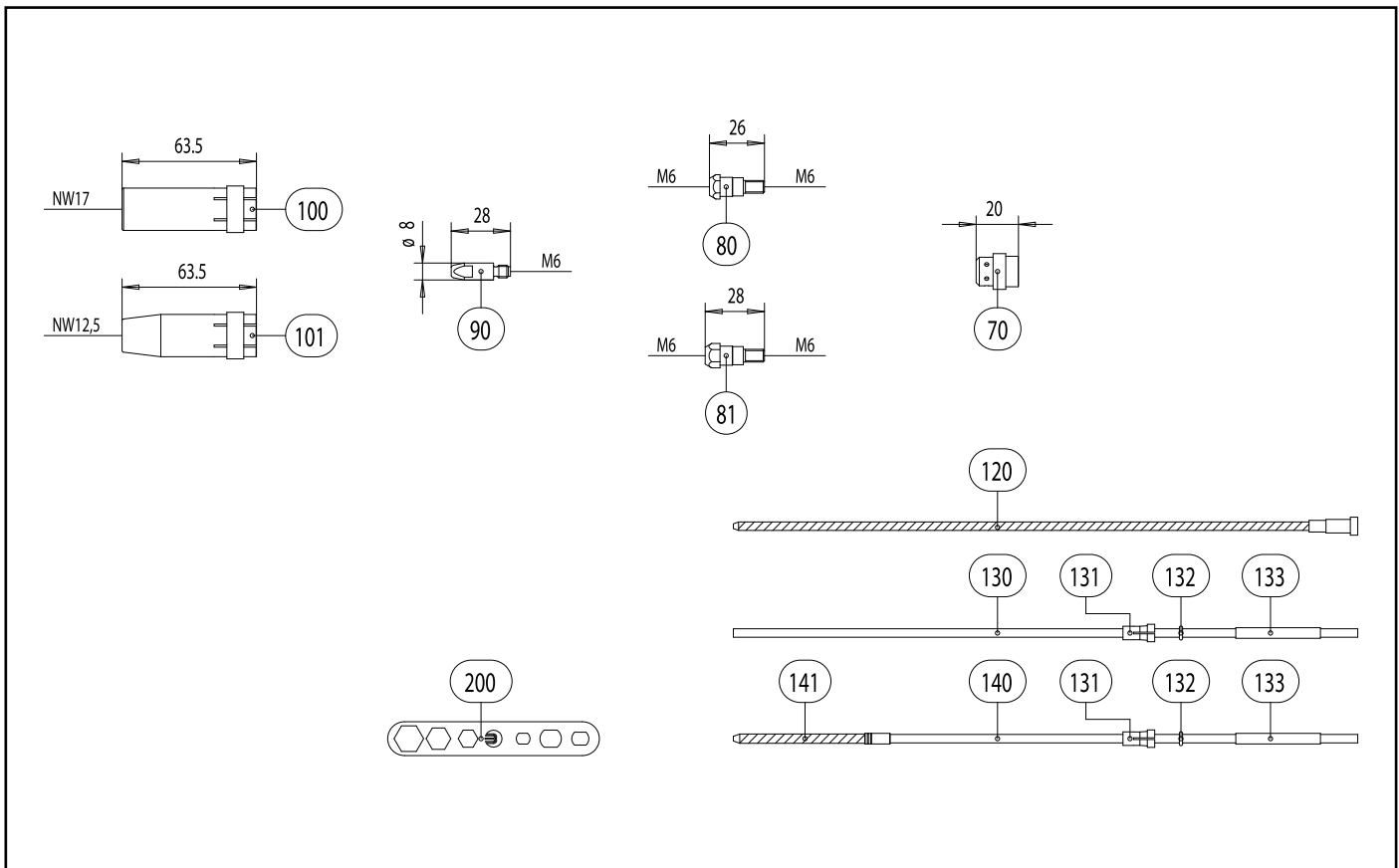
Pos.	Description	Units	Part-No.	Product-group
<b>Torch (Suction nozzle with spring clip, feed air slide below)</b>				
	RAB GRIP 24 KD; central adaptor KZ-2; 3.00 m		612.3001.1	1620
	RAB GRIP 24 KD; central adaptor KZ-2; 4.00 m		612.3002.1	1620
	RAB GRIP 24 KD; central adaptor KZ-2; 5.00 m		612.3003.1	1620
<b>Torch (Suction nozzle with Quicklock, feed air slide on top)</b>				
	RAB GRIP 24 KD Quicklock; central adaptor KZ-2; 3.00 m		612.3007.1	1620
	RAB GRIP 24 KD Quicklock; central adaptor KZ-2; 4.00 m		612.3008.1	1620
	RAB GRIP 24 KD Quicklock; central adaptor KZ-2; 5.00 m		612.3009.1	1620
<b>Swan neck</b>				
1	Swan neck RAB GRIP 24 KD		612.2001	1007
1.1	Outer neck		600.2002	1095
<b>Fume shroud</b>				
2	Fume shroud with spring clip (type 24, 240)		600.2045.1	1602
2.1	Fume shroud (funnel)		612.0023	1602
2.2	Spring clip		600.2028	1095
3	Fume shroud with Quicklock (type 24, 240)		600.3018.1	1602
<b>Handle RAB GRIP standard</b>				
10	Handle RAB GRIP Standard (feed air slide below)		180.0138.1	1095
10.1	Trigger 2-pole GRIP		185.0101	9010
10.2	Supply air slide RAB GRIP	10 Pcs.	400.1452.10	9010
<b>Handle RAB GRIP ZO</b>				
11	Handle RAB GRIP ZO (feed air slide on top)		180.0144.1	1095
11.1	Supply air slide cpl. For RAB GRIP handle ZO		400.1631.1	1095
11.2	Sealing cover	10 Pcs.	400.1496.10	1095
<b>Cable assembly</b>				
40	Bikox® LW power cable, R6 for 3.00 m		160.H039.1	1511

# MIG/MAG Fume Extraction Torches RAB GRIP 24 KD



Pos.	Description	Units	Part-No.	Product-group
40	Bikox® LW power cable, R6 for 4.00 m		160.H040.1	1511
40	Bikox® LW power cable, R6 for 5.00 m		160.H041.1	1511
40.1	Hexagon nut M10x1	10 Pcs.	001.0009	9010
44	Trigger wire connector	20 Pcs.	175.0022	9010
46	Plug	20 Pcs.	175.0004	9010
53	Hose 33 black LW 32 R	30 m	109.0043	4050
54	Connection sleeve RAB GRIP 15 / 24 / 25 / 36		600.2008	1095
55	Connector cpl. LW 32 for RAB GRIP		600.3005.1	1095
56	Connection housing cpl. For RAB GRIP		501.2591.1	1095
57	Pan head screw M4x6	20 Pcs.	000.0552	9010
57.1	Screw cap 1	20 Pcs.	500.0251	9010
58	Adaptor nut M33x2		500.0213	9010
59	Central adaptor KZ-2		501.0003	1095
60	Coupling nut M10x1	10 Pcs.	501.0082	9010
61	O-Ring 4x1	20 Pcs.	165.0002	9010
62	Trigger wire connector; female	20 Pcs.	175.0003	9010
	<b>Wear parts</b>			
70	Gas diffuser, white	10 Pcs.	012.0183	1032
70	Gas diffuser, silicone rubber	10 Pcs.	012.0243	1032
80	Contact tip holder M6; 26.0 mm	10 Pcs.	142.0003	1033
81	Contact tip holder M6; 28.0 mm	10 Pcs.	142.0010	1033
90	Contact tip M6 E-Cu; Ø 0.8 (8x28)	10 Pcs.	140.0051	1030
90	Contact tip M6 E-Cu; Ø 1.0 (8x28)	10 Pcs.	140.0242	1030
90	Contact tip M6 E-Cu; Ø 1.2 (8x28)	10 Pcs.	140.0379	1030
90	Contact tip M6 CuCrZr; Ø 0.8 (8x28)	10 Pcs.	140.0054	1031
90	Contact tip M6 CuCrZr; Ø 1.0 (8x28)	10 Pcs.	140.0245	1031

# MIG/MAG Fume Extraction Torches RAB GRIP 24 KD



## Pos. Description

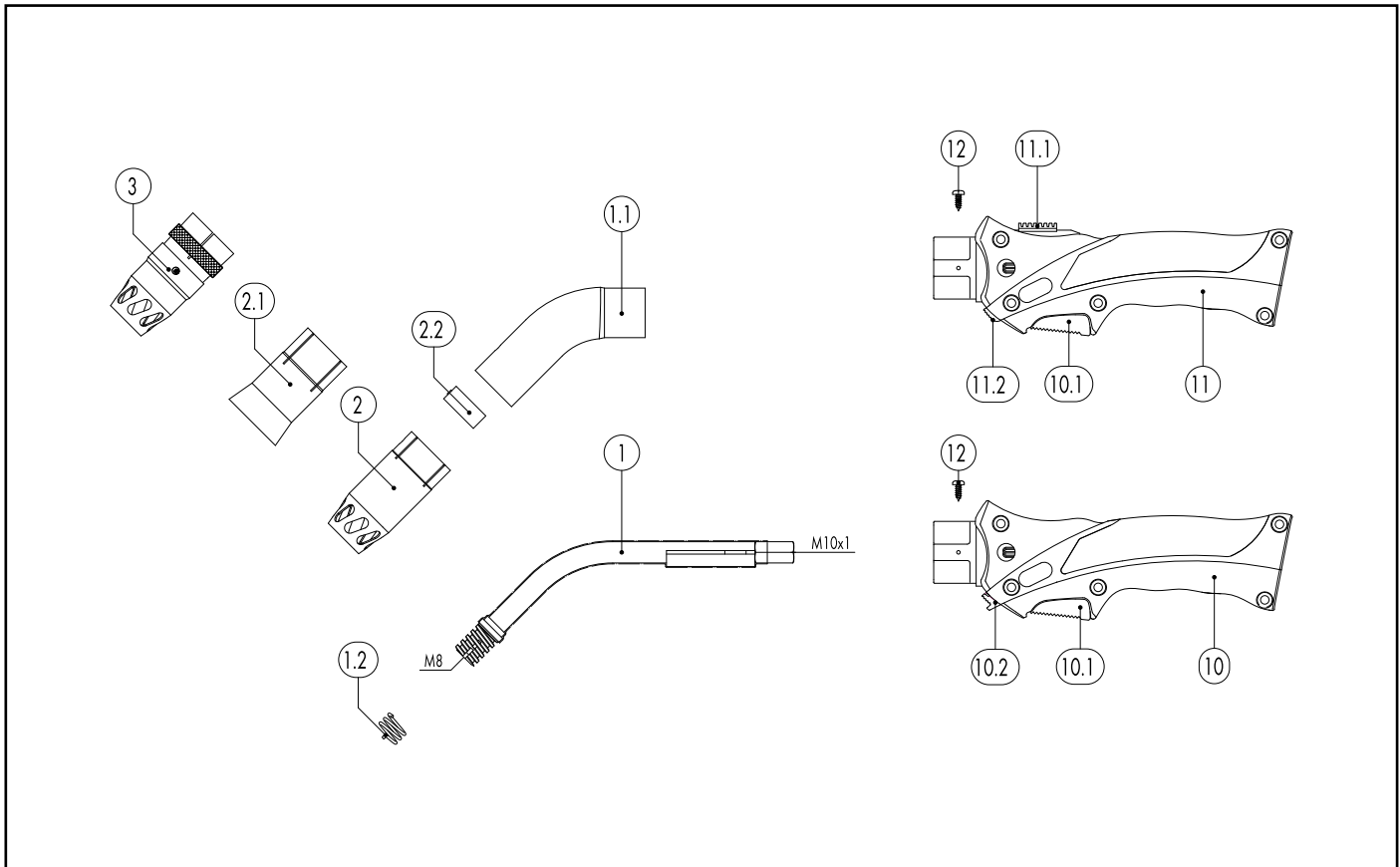
Pos.	Description	Units	Part-No.	Product-group
90	Contact tip M6 CuCrZr; Ø 1.2 (8x28)	10 Pcs.	140.0382	1031
90	Contact tip M6 E-Cu; Ø 0.8 for alu wire (8x28)	10 Pcs.	141.0001	1030
90	Contact tip M6 E-Cu; Ø 1.0 for alu wire (8x28)	10 Pcs.	141.0006	1030
90	Contact tip M6 E-Cu; Ø 1.2 for alu wire (8x28)	10 Pcs.	141.0010	1030
90	Contact tip M6 CuCrZr silver-plated; Ø 0.8 (8x28)	10 Pcs.	147.0054	1031
90	Contact tip M6 CuCrZr silver-plated; Ø 1.0 (8x28)	10 Pcs.	147.0245	1031
90	Contact tip M6 CuCrZr silver-plated; Ø 1.2 (8x28)	10 Pcs.	147.0382	1031
100	Gas nozzle; cylindrical; ND Ø 17.0	10 Pcs.	145.0047	1036
101	Gas nozzle; conical; ND Ø 12.5	10 Pcs.	145.0080	1036
120	Guide spiral liner insulated; 1.5/4.5; blue; for wire Ø 0.6-0.8; for 3.00 m		124.0011	1034
120	Guide spiral liner insulated; 1.5/4.5; blue; for wire Ø 0.6-0.8; for 4.00 m		124.0012	1034
120	Guide spiral liner insulated; 1.5/4.5; blue; for wire Ø 0.6-0.8; for 5.00 m		124.0015	1034
120	Guide spiral liner insulated; 2.0/4.5; red; for wire Ø 1.0-1.2; for 3.00 m		124.0026	1034
120	Guide spiral liner insulated; 2.0/4.5; red; for wire Ø 1.0-1.2; for 4.00 m		124.0031	1034
120	Guide spiral liner insulated; 2.0/4.5; red; for wire Ø 1.0-1.2; for 5.00 m		124.0035	1034
130	PTFE core liner 1.5/4.0; blue; wire electrode Ø 0.8-1.0; for 3.00 m		126.0005	1034
130	PTFE core liner 1.5/4.0; blue; wire electrode Ø 0.8-1.0; for 4.00 m		126.0008	1034
130	PTFE core liner 1.5/4.0; blue; wire electrode Ø 0.8-1.0; for 5.00 m		126.0011	1034
130	PTFE core liner 2.0/4.0; red; wire electrode Ø 1.0-1.2; for 3.00 m		126.0021	1034
130	PTFE core liner 2.0/4.0; red; wire electrode Ø 1.0-1.2; for 4.00 m		126.0026	1034
130	PTFE core liner 2.0/4.0; red; wire electrode Ø 1.0-1.2; for 5.00 m		126.0028	1034
130	PTFE carbon core liner 1.5/4.0; wire electrode Ø 0.8-1.0; for 3.00 m		127.0002	1034
130	PTFE carbon core liner 1.5/4.0; wire electrode Ø 0.8-1.0; for 4.00 m		127.0003	1034
130	PTFE carbon core liner 1.5/4.0; wire electrode Ø 0.8-1.0; for 5.00 m		127.0004	1034
130	PTFE carbon core liner 2.0/4.0; wire electrode Ø 1.0-1.2; for 3.00 m		127.0005	1034
130	PTFE carbon core liner 2.0/4.0; wire electrode Ø 1.0-1.2; for 4.00 m		127.0007	1034



# MIG/MAG Fume Extraction Torches RAB GRIP 24 KD

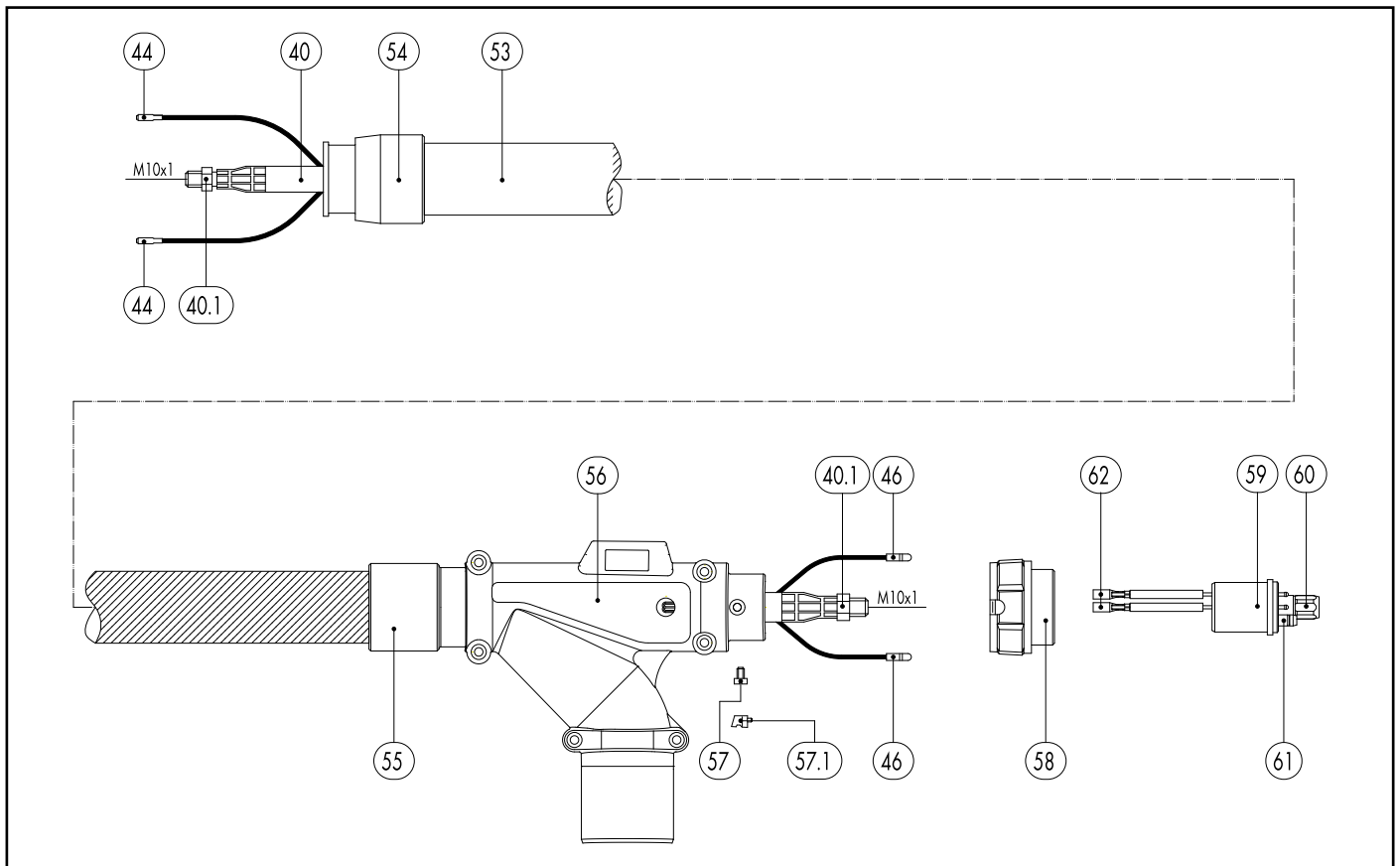
Pos.	Description	Units	Part-No.	Product-group
130	PTFE carbon core liner 2.0/4.0; wire electrode $\varnothing$ 1.0-1.2; for 5.00 m		127.0008	1034
131	Nipple for core liner at $\varnothing$ 4.0	20 Pcs.	131.0001	1095
132	O-Ring 3.5x1.5	20 Pcs.	165.0008	9010
133	Guide tube for core liners up to $\varnothing$ 4.0 (200 mm)	10 Pcs.	129.0461	1095
140	Combined wire guide cpl. polyamide/brass; wire $\varnothing$ 1.0-1.2; for 3.00 m		128.M002	1034
140	Combined wire guide cpl. polyamide/brass; wire $\varnothing$ 1.0-1.2; for 4.00 m		128.M003	1034
140	Combined wire guide cpl. polyamide/brass; wire $\varnothing$ 1.0-1.2; for 5.00 m		128.M004	1034
141	Brass spiral made up with sleeve (200 mm)	10 Pcs.	001.0305	1095
200	Spanner Standard		191.0001	9010

# MIG/MAG Fume Extraction Torches RAB GRIP 25 AK



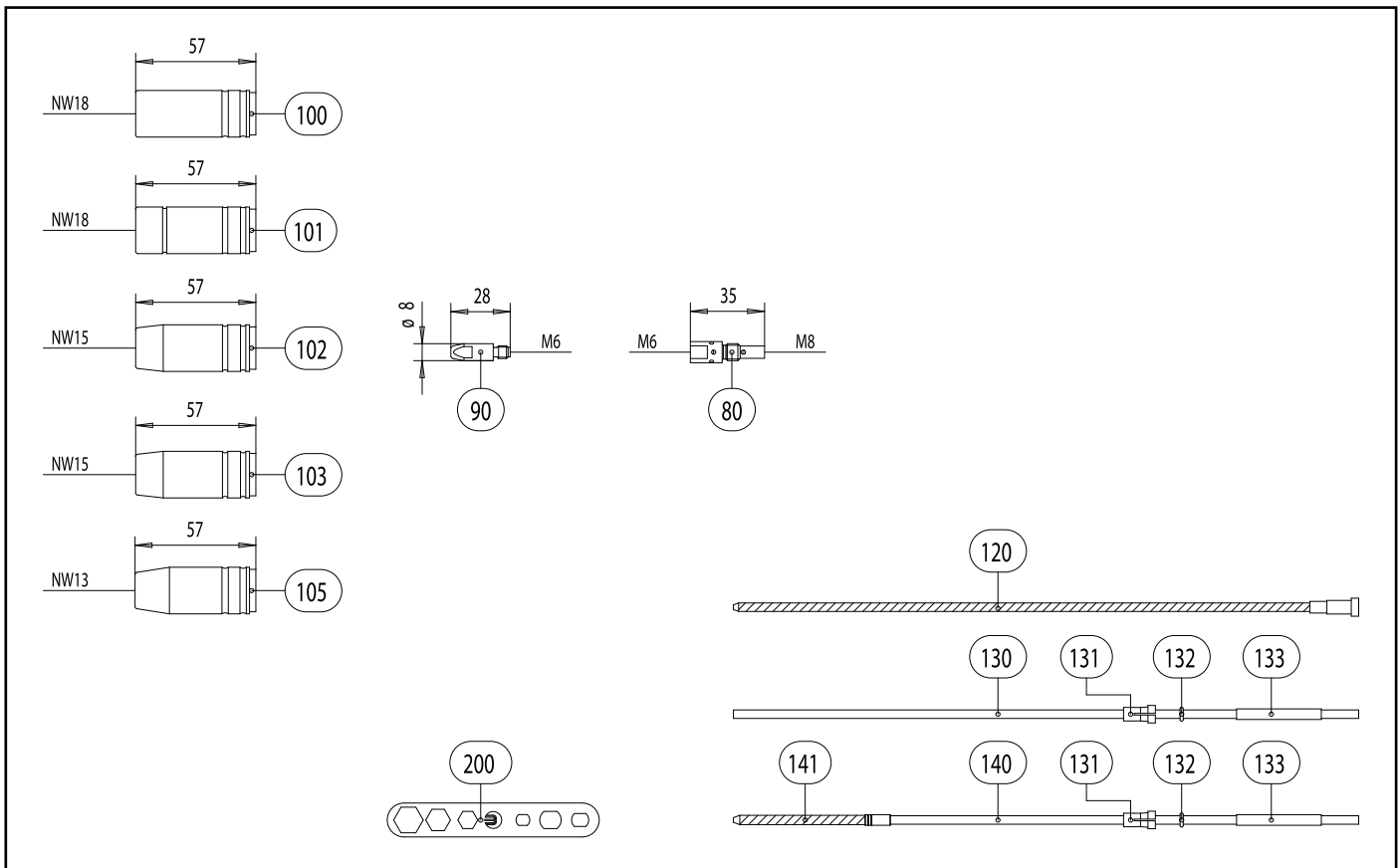
Pos.	Description	Units	Part-No.	Product-group
<b>Torch (Suction nozzle with spring clip, feed air slide below)</b>				
	RAB GRIP 25 AK; central adaptor KZ-2; 3.00 m		604.3001.1	1620
	RAB GRIP 25 AK; central adaptor KZ-2; 4.00 m		604.3002.1	1620
	RAB GRIP 25 AK; central adaptor KZ-2; 5.00 m		604.3003.1	1620
<b>Torch (Suction nozzle with Quicklock, feed air slide on top)</b>				
	RAB GRIP 25 AK Quicklock; central adaptor KZ-2; 3.00 m		604.3007.1	1620
	RAB GRIP 25 AK Quicklock; central adaptor KZ-2; 4.00 m		604.3008.1	1620
	RAB GRIP 25 AK Quicklock; central adaptor KZ-2; 5.00 m		604.3009.1	1620
<b>Swan neck</b>				
1	Swan neck RAB GRIP 25 AK		604.2001	1007
1.1	Outer neck		600.3007.1	1095
<b>Fume shroud</b>				
2	Fume shroud with spring clip (type 25)		600.2046.1	1602
2.1	Fume shroud (funnel)		602.0040	1602
2.2	Spring clip		600.2037	1095
3	Fume shroud with Quicklock (type 25)		600.3019.1	1602
<b>Handle RAB GRIP standard</b>				
10	Handle RAB GRIP Standard (feed air slide below)		180.0138.1	1095
10.1	Trigger 2-pole GRIP		185.0101	9010
10.2	Supply air slide RAB GRIP	10 Pcs.	400.1452.10	9010
<b>Handle RAB GRIP ZO</b>				
11	Handle RAB GRIP ZO (feed air slide on top)		180.0144.1	1095
11.1	Supply air slide cpl. For RAB GRIP handle ZO		400.1631.1	1095
11.2	Sealing cover	10 Pcs.	400.1496.10	1095
<b>Cable assembly</b>				
40	Bikox® LW power cable, R5 for 3.00 m		160.H032.1	1511

# MIG/MAG Fume Extraction Torches RAB GRIP 25 AK



Pos.	Description	Units	Part-No.	Product-group
40	Bikox® LW power cable, R5 for 4.00 m		160.H033.1	1511
40	Bikox® LW power cable, R5 for 5.00 m		160.H034.1	1511
40.1	Hexagon nut M10x1	10 Pcs.	001.0009	9010
44	Trigger wire connector	20 Pcs.	175.0022	9010
46	Plug	20 Pcs.	175.0004	9010
53	Hose 33 black LW 32 R	30 m	109.0043	4050
54	Connection sleeve RAB GRIP 15 / 24 / 25 / 36		600.2008	1095
55	Connector cpl. LW 32 for RAB GRIP		600.3005.1	1095
56	Connection housing cpl. For RAB GRIP		501.2591.1	1095
57	Pan head screw M4x6	20 Pcs.	000.0552	9010
57.1	Screw cap 1	20 Pcs.	500.0251	9010
58	Adaptor nut M33x2		500.0213	9010
59	Central adaptor KZ-2		501.0003	1095
60	Coupling nut M10x1	10 Pcs.	501.0082	9010
61	O-Ring 4x1	20 Pcs.	165.0002	9010
62	Trigger wire connector; female	20 Pcs.	175.0003	9010
<b>Wear parts</b>				
80	Contact tip holder M6; 35.0 mm	10 Pcs.	142.0001	1033
90	Contact tip M6 E-Cu; Ø 0.8 (8x28)	10 Pcs.	140.0051	1030
90	Contact tip M6 E-Cu; Ø 1.0 (8x28)	10 Pcs.	140.0242	1030
90	Contact tip M6 E-Cu; Ø 1.2 (8x28)	10 Pcs.	140.0379	1030
90	Contact tip M6 CuCrZr; Ø 0.8 (8x28)	10 Pcs.	140.0054	1031
90	Contact tip M6 CuCrZr; Ø 1.0 (8x28)	10 Pcs.	140.0245	1031
90	Contact tip M6 CuCrZr; Ø 1.2 (8x28)	10 Pcs.	140.0382	1031
90	Contact tip M6 E-Cu; Ø 0.8 for alu wire (8x28)	10 Pcs.	141.0001	1030
90	Contact tip M6 E-Cu; Ø 1.0 for alu wire (8x28)	10 Pcs.	141.0006	1030

# MIG/MAG Fume Extraction Torches RAB GRIP 25 AK



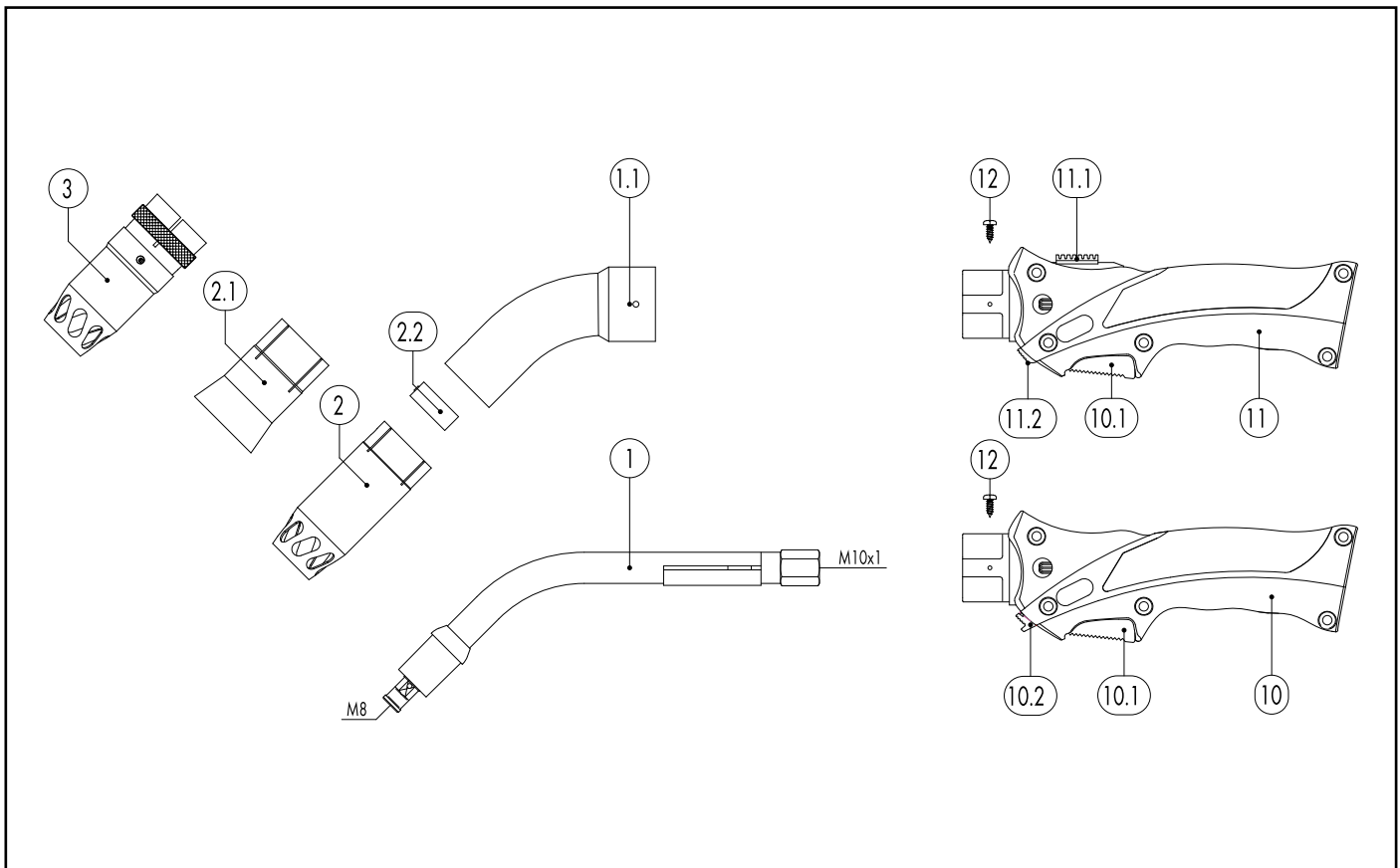
## Pos. Description

Pos.	Description	Units	Part-No.	Product-group
90	Contact tip M6 E-Cu; $\varnothing$ 1.2 for alu wire (8x28)	10 Pcs.	141.0010	1030
90	Contact tip M6 CuCrZr silver-plated; $\varnothing$ 0.8 (8x28)	10 Pcs.	147.0054	1031
90	Contact tip M6 CuCrZr silver-plated; $\varnothing$ 1.0 (8x28)	10 Pcs.	147.0245	1031
90	Contact tip M6 CuCrZr silver-plated; $\varnothing$ 1.2 (8x28)	10 Pcs.	147.0382	1031
100	Gas nozzle; cylindrical; ND $\varnothing$ 18.0	10 Pcs.	145.0042	1036
101	Gas nozzle; cylindrical with extended insulation; ND $\varnothing$ 18.0	10 Pcs.	145.0061	1036
102	Gas nozzle; conical; ND $\varnothing$ 15.0	10 Pcs.	145.0076	1036
103	Gas nozzle; conical; with extended insulation; ND $\varnothing$ 15.0	10 Pcs.	145.0100	1036
105	Gas nozzle; tapered, with extended insulation; ND $\varnothing$ 13.0	10 Pcs.	145.0432	1036
120	Guide spiral liner insulated; 1.5/4.5; blue; for wire $\varnothing$ 0.6-0.8; for 3.00 m		124.0011	1034
120	Guide spiral liner insulated; 1.5/4.5; blue; for wire $\varnothing$ 0.6-0.8; for 4.00 m		124.0012	1034
120	Guide spiral liner insulated; 1.5/4.5; blue; for wire $\varnothing$ 0.6-0.8; for 5.00 m		124.0015	1034
120	Guide spiral liner insulated; 2.0/4.5; red; for wire $\varnothing$ 1.0-1.2; for 3.00 m		124.0026	1034
120	Guide spiral liner insulated; 2.0/4.5; red; for wire $\varnothing$ 1.0-1.2; for 4.00 m		124.0031	1034
120	Guide spiral liner insulated; 2.0/4.5; red; for wire $\varnothing$ 1.0-1.2; for 5.00 m		124.0035	1034
130	PTFE core liner 1.5/4.0; blue; wire electrode $\varnothing$ 0.8-1.0; for 3.00 m		126.0005	1034
130	PTFE core liner 1.5/4.0; blue; wire electrode $\varnothing$ 0.8-1.0; for 4.00 m		126.0008	1034
130	PTFE core liner 1.5/4.0; blue; wire electrode $\varnothing$ 0.8-1.0; for 5.00 m		126.0011	1034
130	PTFE core liner 2.0/4.0; red; wire electrode $\varnothing$ 1.0-1.2; for 3.00 m		126.0021	1034
130	PTFE core liner 2.0/4.0; red; wire electrode $\varnothing$ 1.0-1.2; for 4.00 m		126.0026	1034
130	PTFE core liner 2.0/4.0; red; wire electrode $\varnothing$ 1.0-1.2; for 5.00 m		126.0028	1034
130	PTFE carbon core liner 1.5/4.0; wire electrode $\varnothing$ 0.8-1.0; for 3.00 m		127.0002	1034
130	PTFE carbon core liner 1.5/4.0; wire electrode $\varnothing$ 0.8-1.0; for 4.00 m		127.0003	1034
130	PTFE carbon core liner 1.5/4.0; wire electrode $\varnothing$ 0.8-1.0; for 5.00 m		127.0004	1034
130	PTFE carbon core liner 2.0/4.0; wire electrode $\varnothing$ 1.0-1.2; for 3.00 m		127.0005	1034
130	PTFE carbon core liner 2.0/4.0; wire electrode $\varnothing$ 1.0-1.2; for 4.00 m		127.0007	1034

## MIG/MAG Fume Extraction Torches RAB GRIP 25 AK

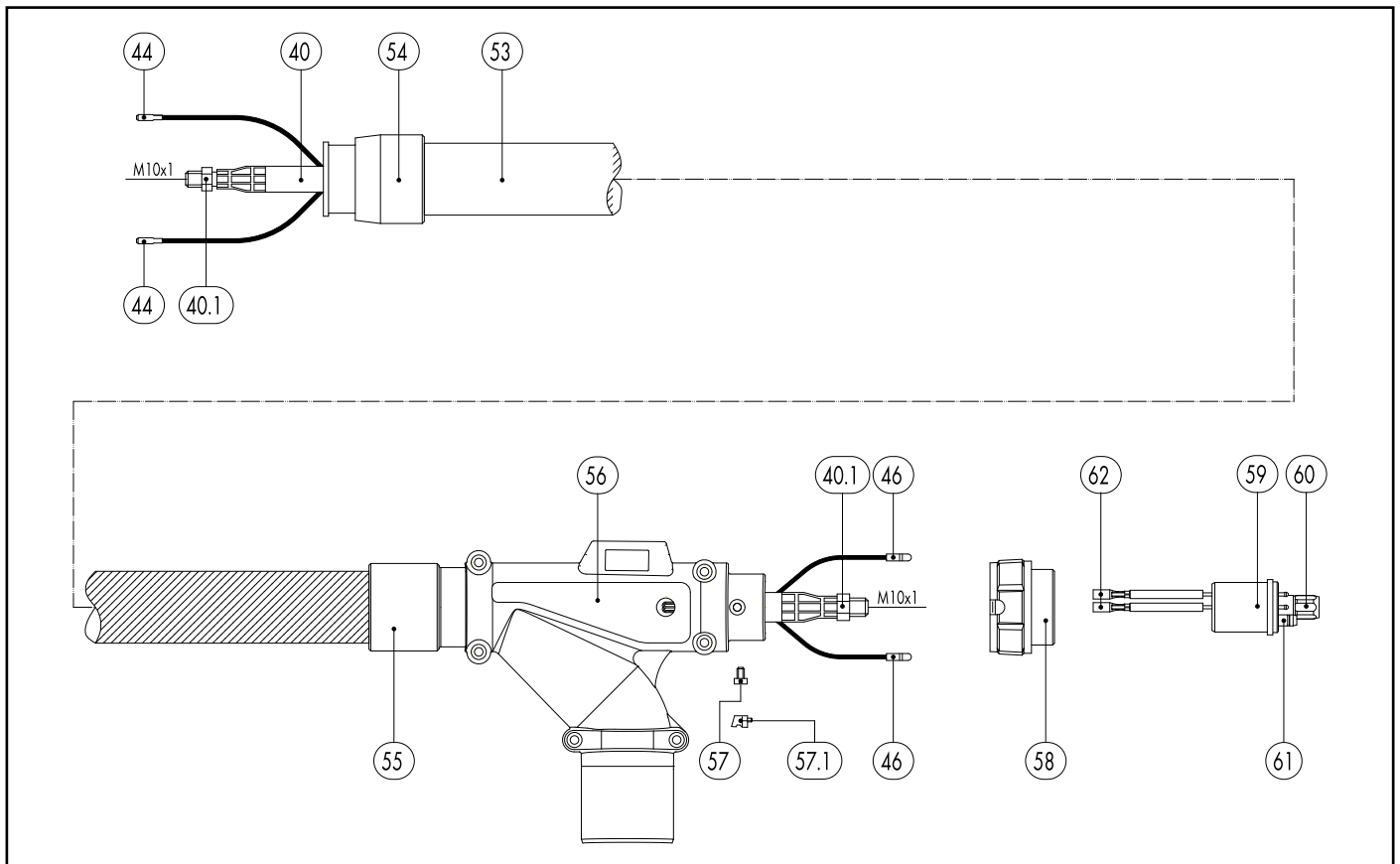
Pos.	Description	Units	Part-No.	Product-group
130	PTFE carbon core liner 2.0/4.0; wire electrode Ø 1.0-1.2; for 5.00 m		127.0008	1034
131	Nipple for core liner at Ø 4.0	20 Pcs.	131.0001	1095
132	O-Ring 3.5x1.5	20 Pcs.	165.0008	9010
133	Guide tube for core liners up to Ø 4.0 (200 mm)	10 Pcs.	129.0461	1095
140	Combined wire guide cpl. polyamide/brass; wire Ø 1.0-1.2; for 3.00 m		128.M002	1034
140	Combined wire guide cpl. polyamide/brass; wire Ø 1.0-1.2; for 4.00 m		128.M003	1034
140	Combined wire guide cpl. polyamide/brass; wire Ø 1.0-1.2; for 5.00 m		128.M004	1034
141	Brass spiral made up with sleeve (200 mm)	10 Pcs.	001.0305	1095
200	Spanner Standard		191.0001	9010

# MIG/MAG Fume Extraction Torches RAB GRIP 36 KD



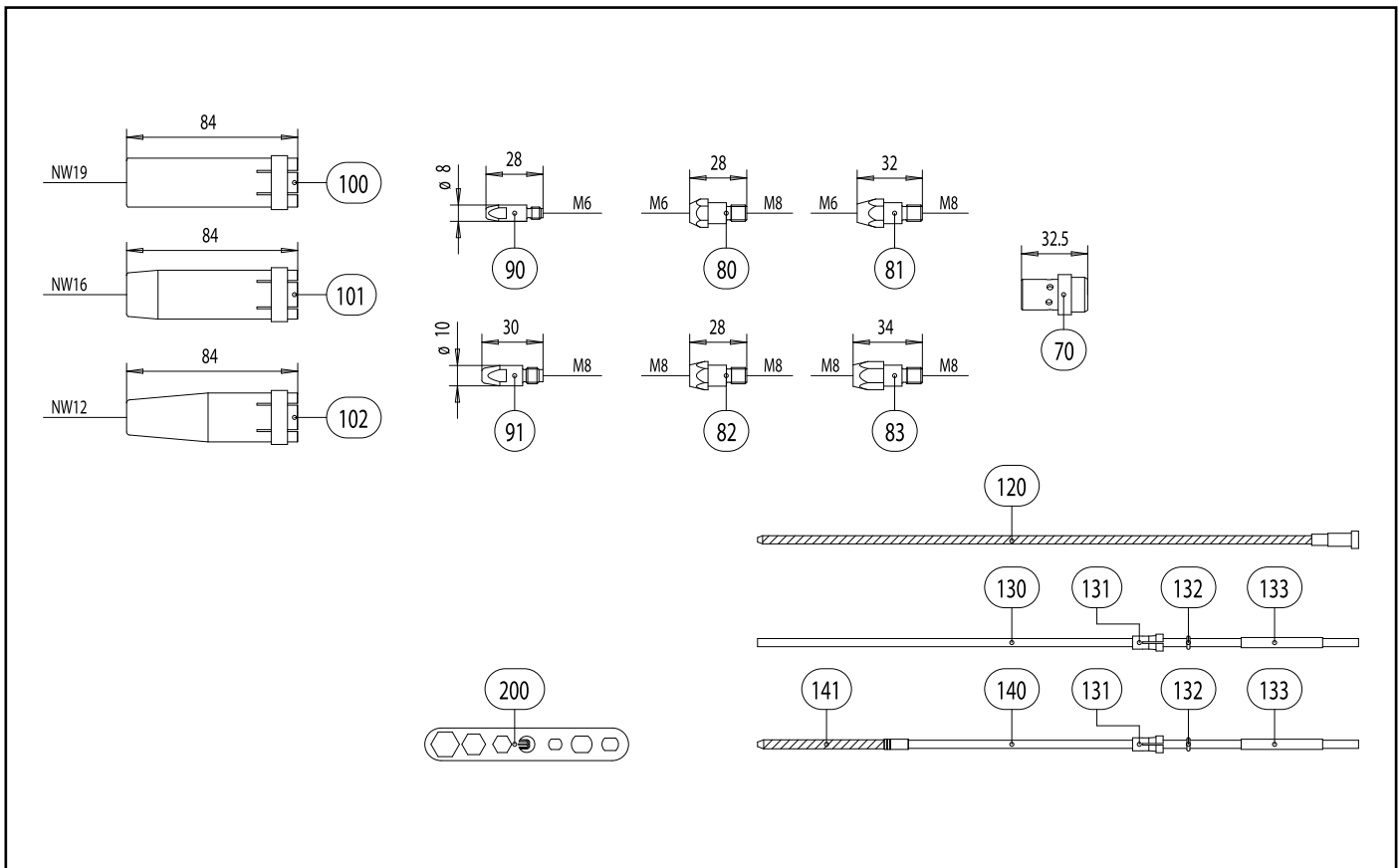
Pos.	Description	Units	Part-No.	Product-group
	<b>Torch (Suction nozzle with spring clip, feed air slide below)</b>			
	RAB GRIP 36 KD; central adaptor KZ-2; 3.00 m		614.3001.1	1620
	RAB GRIP 36 KD; central adaptor KZ-2; 4.00 m		614.3002.1	1620
	RAB GRIP 36 KD; central adaptor KZ-2; 5.00 m		614.3003.1	1620
	<b>Torch (Suction nozzle with Quicklock, feed air slide on top)</b>			
	RAB GRIP 36 KD Quicklock; central adaptor KZ-2; 3.00 m		614.3007.1	1620
	RAB GRIP 36 KD Quicklock; central adaptor KZ-2; 4.00 m		614.3008.1	1620
	RAB GRIP 36 KD Quicklock; central adaptor KZ-2; 5.00 m		614.3009.1	1620
	<b>Swan neck</b>			
1	Swan neck RAB Plus 36 KD		614.2001	1014
1.1	Outer neck		600.2002	1095
	<b>Fume shroud</b>			
2	Fume shroud with spring clip (type 36, 501)		600.2044.1	1602
2.1	Fume shroud (funnel)		602.0040	1602
2.2	Spring clip		600.2037	1095
3	Fume shroud with Quicklock (type 36, 501)		600.3009.1	1602
	<b>Handle RAB GRIP standard</b>			
10	Handle RAB GRIP Standard (feed air slide below)		180.0138.1	1095
10.1	Trigger 2-pole GRIP		185.0101	9010
10.2	Supply air slide RAB GRIP	10 Pcs.	400.1452.10	9010
	<b>Handle RAB GRIP ZO</b>			
11	Handle RAB GRIP ZO (feed air slide on top)		180.0144.1	1095
11.1	Supply air slide cpl. For RAB GRIP handle ZO		400.1631.1	1095
11.2	Sealing cover	10 Pcs.	400.1496.10	1095
	<b>Cable assembly</b>			
40	Bikox® LW power cable, R7 for 3.00 m		160.H046.1	1511

# MIG/MAG Fume Extraction Torches RAB GRIP 36 KD



Pos.	Description	Units	Part-No.	Product-group
40	Bikox® LW power cable, R7 for 4.00 m		160.H047.1	1511
40	Bikox® LW power cable, R7 for 5.00 m		160.H048.1	1511
40.1	Hexagon nut M10x1	10 Pcs.	001.0009	9010
44	Trigger wire connector	20 Pcs.	175.0022	9010
46	Plug	20 Pcs.	175.0004	9010
53	Hose 33 black LW 32 R	30 m	109.0043	4050
54	Connection sleeve RAB GRIP 15 / 24 / 25 / 36		600.2008	1095
55	Connector cpl. LW 32 for RAB GRIP		600.3005.1	1095
56	Connection housing cpl. For RAB GRIP		501.2591.1	1095
57	Pan head screw M4x6	20 Pcs.	000.0552	9010
57.1	Screw cap 1	20 Pcs.	500.0251	9010
58	Adaptor nut M33x2		500.0213	9010
59	Central adaptor KZ-2		501.0003	1095
60	Coupling nut M10x1	10 Pcs.	501.0082	9010
61	O-Ring 4x1	20 Pcs.	165.0002	9010
62	Trigger wire connector; female	20 Pcs.	175.0003	9010
	<b>Wear parts</b>			
70	Gas diffuser, white	10 Pcs.	014.0261	1032
70	Gas diffuser, long life	10 Pcs.	014.0026	1032
70	Gas diffuser, ceramic	10 Pcs.	014.0023	1032
80	Contact tip holder M6; 28.0 mm (short)	10 Pcs.	142.0005	1033
81	Contact tip holder M6; 32.0 mm (long)	10 Pcs.	142.0011	1033
82	Contact tip holder M8; 28.0 mm (short)	10 Pcs.	142.0020	1033
83	Contact tip holder M8; 34.0 mm (long)	10 Pcs.	142.0024	1033
90	Contact tip M6 E-Cu; Ø 0.8 (8x28)	10 Pcs.	140.0051	1030
90	Contact tip M6 E-Cu; Ø 1.0 (8x28)	10 Pcs.	140.0242	1030

# MIG/MAG Fume Extraction Torches RAB GRIP 36 KD



## Pos. Description

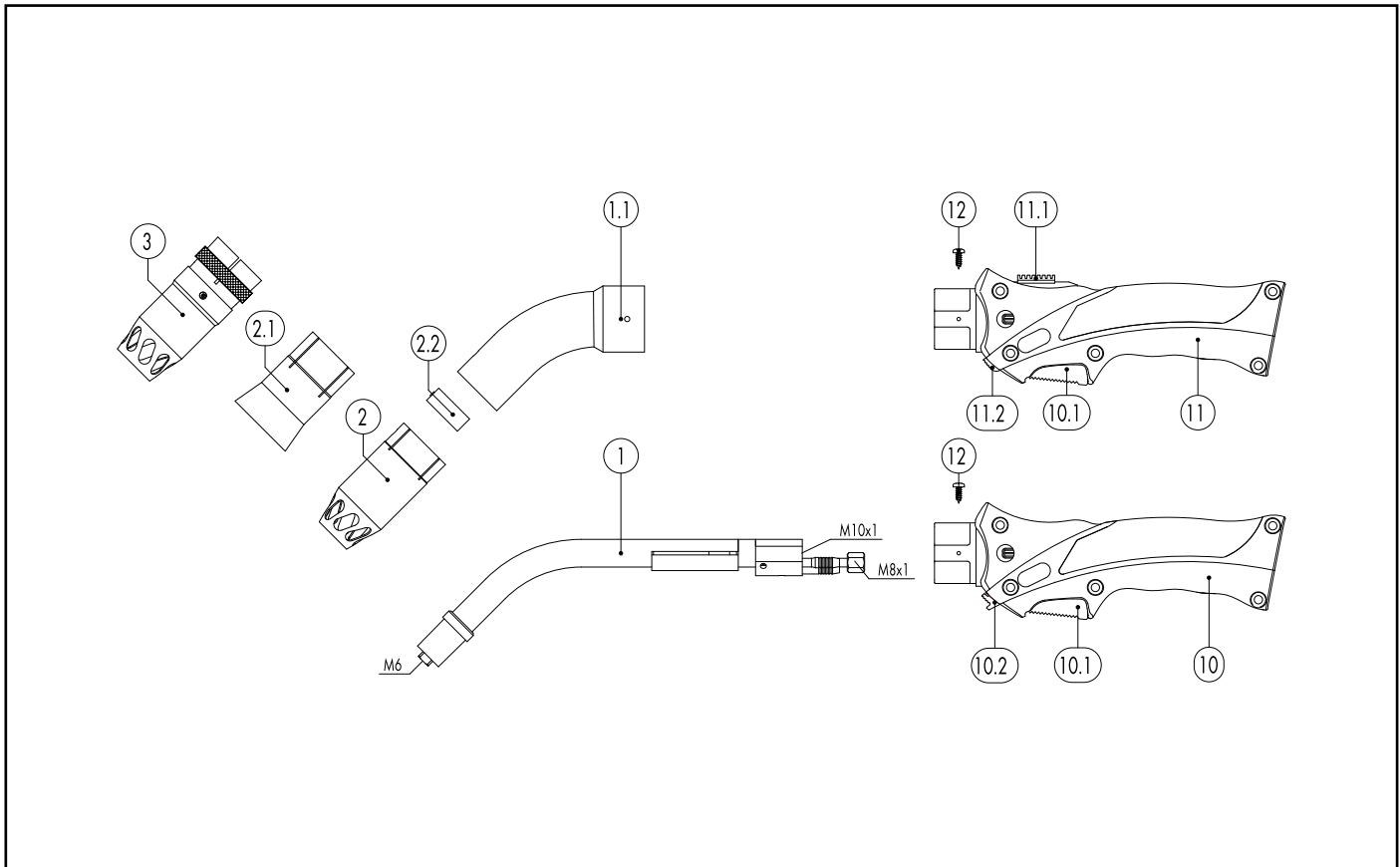
Pos.	Description	Units	Part-No.	Product-group
90	Contact tip M6 E-Cu; Ø 1.2 (8x28)	10 Pcs.	140.0379	1030
90	Contact tip M6 CuCrZr; Ø 0.8 (8x28)	10 Pcs.	140.0054	1031
90	Contact tip M6 CuCrZr; Ø 1.0 (8x28)	10 Pcs.	140.0245	1031
90	Contact tip M6 CuCrZr; Ø 1.2 (8x28)	10 Pcs.	140.0382	1031
90	Contact tip M6 E-Cu; Ø 0.8 for alu wire (8x28)	10 Pcs.	141.0001	1030
90	Contact tip M6 E-Cu; Ø 1.0 for alu wire (8x28)	10 Pcs.	141.0006	1030
90	Contact tip M6 E-Cu; Ø 1.2 for alu wire (8x28)	10 Pcs.	141.0010	1030
90	Contact tip M6 CuCrZr silver-plated; Ø 0.8 (8x28)	10 Pcs.	147.0054	1031
90	Contact tip M6 CuCrZr silver-plated; Ø 1.0 (8x28)	10 Pcs.	147.0245	1031
90	Contact tip M6 CuCrZr silver-plated; Ø 1.2 (8x28)	10 Pcs.	147.0382	1031
91	Contact tip M8 E-Cu; Ø 0.8 (10x30)	10 Pcs.	140.0114	1030
91	Contact tip M8 E-Cu; Ø 1.0 (10x30)	10 Pcs.	140.0313	1030
91	Contact tip M8 E-Cu; Ø 1.2 (10x30)	10 Pcs.	140.0442	1030
91	Contact tip M8 CuCrZr; Ø 0.8 (10x30)	10 Pcs.	140.0117	1031
91	Contact tip M8 CuCrZr; Ø 1.0 (10x30)	10 Pcs.	140.0316	1031
91	Contact tip M8 CuCrZr; Ø 1.2 (10x30)	10 Pcs.	140.0445	1031
91	Contact tip M8 E-Cu; Ø 0.8 for alu wire (10x30)	10 Pcs.	141.0003	1030
91	Contact tip M8 E-Cu; Ø 1.0 for alu wire (10x30)	10 Pcs.	141.0008	1030
91	Contact tip M8 E-Cu; Ø 1.2 for alu wire (10x30)	10 Pcs.	141.0015	1030
91	Contact tip M8 CuCrZr silver-plated; Ø 0.8 (10x30)	10 Pcs.	147.0117	1031
91	Contact tip M8 CuCrZr silver-plated; Ø 1.0 (10x30)	10 Pcs.	147.0316	1031
91	Contact tip M8 CuCrZr silver-plated; Ø 1.2 (10x30)	10 Pcs.	147.0445	1031
100	Gas nozzle; cylindrical; ND Ø 19.0	10 Pcs.	145.0045	1037
101	Gas nozzle; conical; ND Ø 16.0	10 Pcs.	145.0078	1037
102	Gas nozzle; tapered; ND Ø 12.0	10 Pcs.	145.0126	1037
120	Guide spiral liner insulated; 1.5/4.5; blue; for wire Ø 0.6-0.8; for 3.00 m		124.0011	1034



# MIG/MAG Fume Extraction Torches RAB GRIP 36 KD

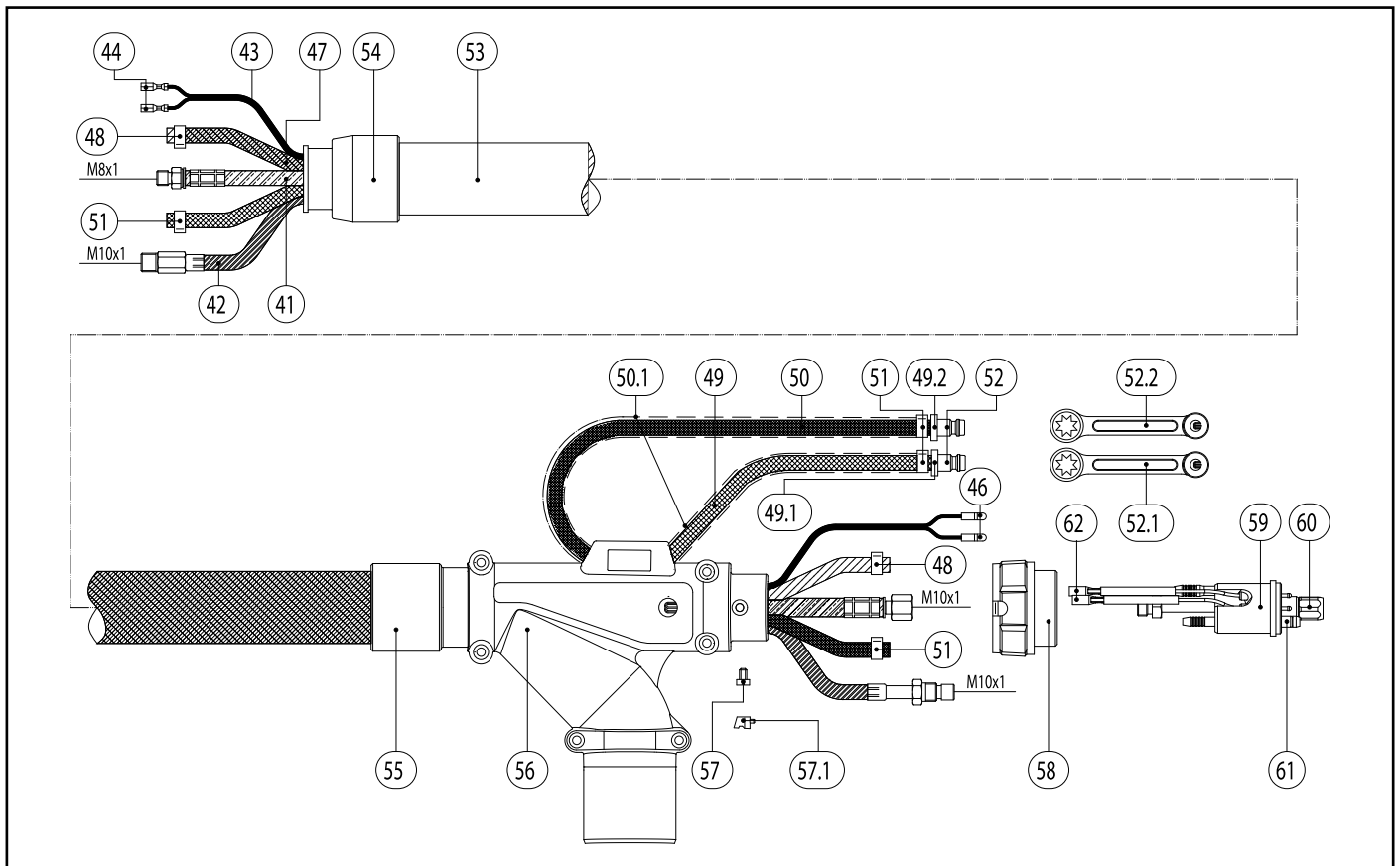
Pos.	Description	Units	Part-No.	Product-group
120	Guide spiral liner insulated; 1.5/4.5; blue; for wire Ø 0.6–0.8; for 4.00 m		124.0012	1034
120	Guide spiral liner insulated; 1.5/4.5; blue; for wire Ø 0.6–0.8; for 5.00 m		124.0015	1034
120	Guide spiral liner insulated; 2.0/4.5; red; for wire Ø 1.0–1.2; for 3.00 m		124.0026	1034
120	Guide spiral liner insulated; 2.0/4.5; red; for wire Ø 1.0–1.2; for 4.00 m		124.0031	1034
120	Guide spiral liner insulated; 2.0/4.5; red; for wire Ø 1.0–1.2; for 5.00 m		124.0035	1034
130	PTFE core liner 1.5/4.0; blue; wire electrode Ø 0.8–1.0; for 3.00 m		126.0005	1034
130	PTFE core liner 1.5/4.0; blue; wire electrode Ø 0.8–1.0; for 4.00 m		126.0008	1034
130	PTFE core liner 1.5/4.0; blue; wire electrode Ø 0.8–1.0; for 5.00 m		126.0011	1034
130	PTFE core liner 2.0/4.0; red; wire electrode Ø 1.0–1.2; for 3.00 m		126.0021	1034
130	PTFE core liner 2.0/4.0; red; wire electrode Ø 1.0–1.2; for 4.00 m		126.0026	1034
130	PTFE core liner 2.0/4.0; red; wire electrode Ø 1.0–1.2; for 5.00 m		126.0028	1034
130	PTFE carbon core liner 1.5/4.0; wire electrode Ø 0.8–1.0; for 3.00 m		127.0002	1034
130	PTFE carbon core liner 1.5/4.0; wire electrode Ø 0.8–1.0; for 4.00 m		127.0003	1034
130	PTFE carbon core liner 1.5/4.0; wire electrode Ø 0.8–1.0; for 5.00 m		127.0004	1034
130	PTFE carbon core liner 2.0/4.0; wire electrode Ø 1.0–1.2; for 3.00 m		127.0005	1034
130	PTFE carbon core liner 2.0/4.0; wire electrode Ø 1.0–1.2; for 4.00 m		127.0007	1034
130	PTFE carbon core liner 2.0/4.0; wire electrode Ø 1.0–1.2; for 5.00 m		127.0008	1034
131	Nipple for core liner at Ø 4.0	20 Pcs.	131.0001	1095
132	O-Ring 3.5x1.5	20 Pcs.	165.0008	9010
133	Guide tube for core liners up to Ø 4.0 (200 mm)	10 Pcs.	129.0461	1095
140	Combined wire guide cpl. polyamide/brass; wire Ø 1.0–1.2; for 3.00 m		128.M002	1034
140	Combined wire guide cpl. polyamide/brass; wire Ø 1.0–1.2; for 4.00 m		128.M003	1034
140	Combined wire guide cpl. polyamide/brass; wire Ø 1.0–1.2; for 5.00 m		128.M004	1034
141	Brass spiral made up with sleeve (200 mm)	10 Pcs.	001.0305	1095
200	Spanner Standard		191.0001	9010

# MIG/MAG Fume Extraction Torches RAB GRIP 240 D



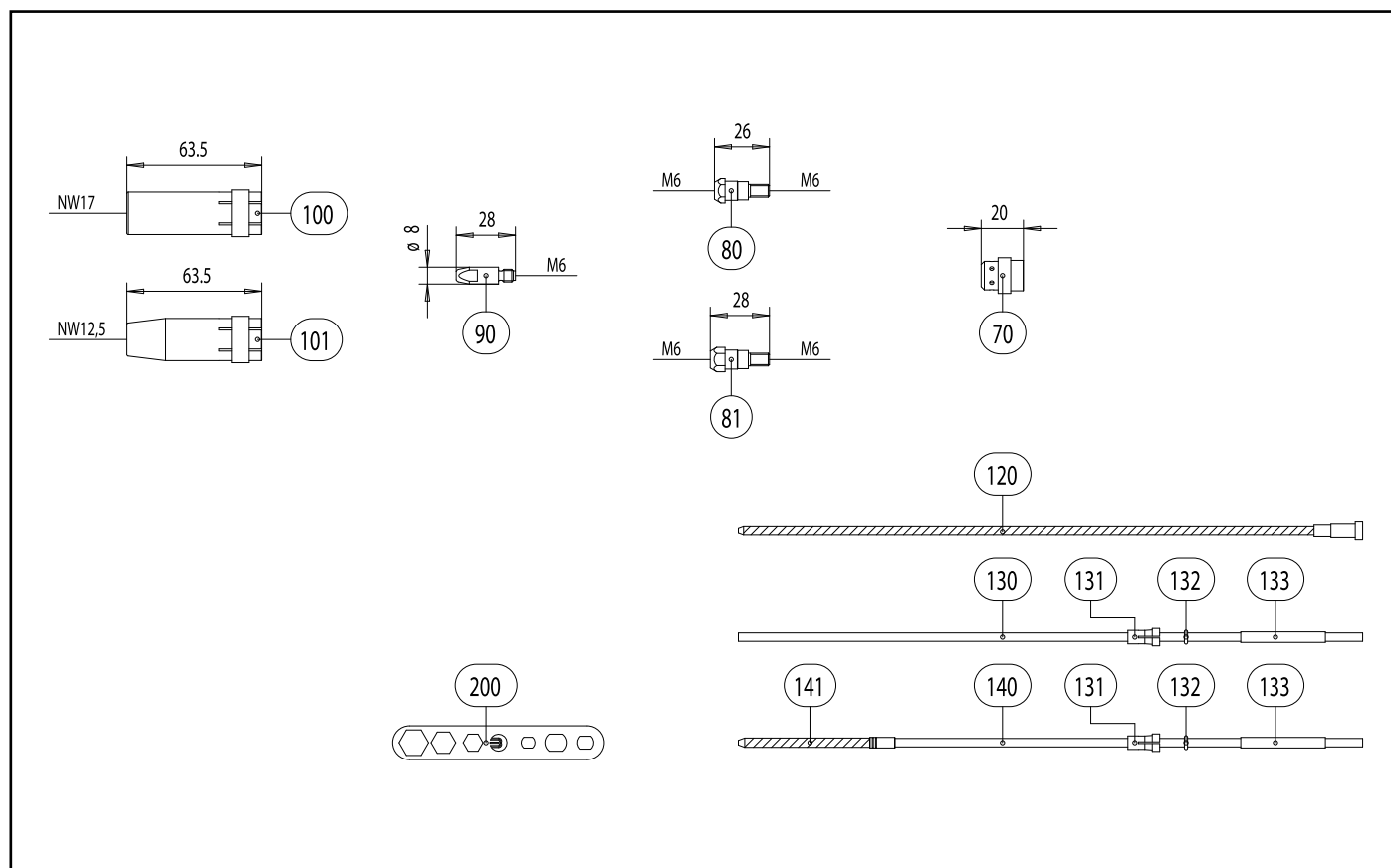
Pos.	Description	Units	Part-No.	Product-group
	<b>Torch (Suction nozzle with spring clip, feed air slide below)</b>			
	RAB GRIP 240 D; central adaptor WZ-2; 3.00 m		623.3003.1	1620
	RAB GRIP 240 D; central adaptor WZ-2; 4.00 m		623.3004.1	1620
	RAB GRIP 240 D; central adaptor WZ-2; 5.00 m		623.3005.1	1620
	<b>Torch (Suction nozzle with Quicklock, feed air slide on top)</b>			
	RAB GRIP 240 D Quicklock; central adaptor WZ-2; 3.00 m		623.3011.1	1620
	RAB GRIP 240 D Quicklock; central adaptor WZ-2; 4.00 m		623.3012.1	1620
	RAB GRIP 240 D Quicklock; central adaptor WZ-2; 5.00 m		623.3013.1	1620
	<b>Swan neck</b>			
1	Swan neck RAB GRIP 240 D; 45° bent		623.3001.1	1009
1.1	Outer neck		600.2002	1095
	<b>Fume shroud</b>			
2	Fume shroud with spring clip (type 24, 240)		600.2045.1	1602
2.1	Fume shroud (funnel)		612.0023	1602
2.2	Spring clip		600.2028	1095
3	Fume shroud with Quicklock (type 24, 240)		600.3018.1	1602
	<b>Handle RAB GRIP standard</b>			
10	Handle RAB GRIP Standard (feed air slide below)		180.0138.1	1095
10.1	Trigger 2-pole GRIP		185.0101	9010
10.2	Supply air slide RAB GRIP	10 Pcs.	400.1452.10	9010
	<b>Handle RAB GRIP ZO</b>			
11	Handle RAB GRIP ZO (feed air slide on top)		180.0144.1	1095
11.1	Supply air slide cpl. For RAB GRIP handle ZO		400.1631.1	1095
11.2	Sealing cover	10 Pcs.	400.1496.10	1095
	<b>Cable assembly</b>			
41	Power cable ABIMIG® GRIP / RAB GRIP (PVC) for 3.00 m		115.0581	1012

# MIG/MAG Fume Extraction Torches RAB GRIP 240 D



Pos.	Description	Units	Part-No.	Product-group
41	Power cable ABIMIG® GRIP / RAB GRIP (PVC) for 4.00 m		115.0582	1012
41	Power cable ABIMIG® GRIP / RAB GRIP (PVC) for 5.00 m		115.0583	1012
42	Wire conduit RAB GRIP cpl. For 5.00 m		154.0002	1012
42	Wire conduit RAB GRIP cpl. For 3.00 m		154.0003	1012
42	Wire conduit RAB GRIP cpl. For 4.00 m		154.0004	1012
43	Control cable 2-pole	200 m	100.0019	4050
44	Trigger wire connector	20 Pcs.	175.0022	9010
46	Plug	20 Pcs.	175.0004	9010
47	Hose 30 black Ø 4.9x1.5	100 m	109.0040	4050
48	Hose clamp Ø 8.7 mm	100 Pcs.	171.0002	9010
49	Hose 47 blue Ø 5.5x1.5	100 m	109.0057	4050
49.1	Code colour ring blue	20 Pcs.	501.2167	9010
49.2	Code colour ring red	20 Pcs.	501.2166	9010
50	Hose 46 red Ø 5.5x1.5 cpl. with plug nipple ND 5; 0.6 m		103.0114	1095
	Hose 46 red Ø 5.5x1.5	100 m	109.0056	4050
50.1	Protective tube NW 9.9	10 Pcs.	110.0053.10	1095
51	Hose clamp Ø 9.0 mm with ring (mark 9.5)	100 Pcs.	173.0001	9010
52	Plug nipple ND 5 mm / Ø 6.0 mm	20 Pcs.	501.0114	9010
52.1	Fastener cap red	20 Pcs.	501.2423	1095
52.2	Fastener cap blue	20 Pcs.	501.2424	1095
53	Hose 34 black LW 38 R	30 m	109.0044	4050
54	Connection sleeve RAB GRIP 240 / 501		600.0080	1095
55	Connector cpl. LW 38 for RAB GRIP		600.3006.1	1095
56	Connection housing cpl. For RAB GRIP		501.2591.1	1095
57	Pan head screw M4x6	20 Pcs.	000.0552	9010
57.1	Screw cap 1	20 Pcs.	500.0251	9010

# MIG/MAG Fume Extraction Torches RAB GRIP 240 D

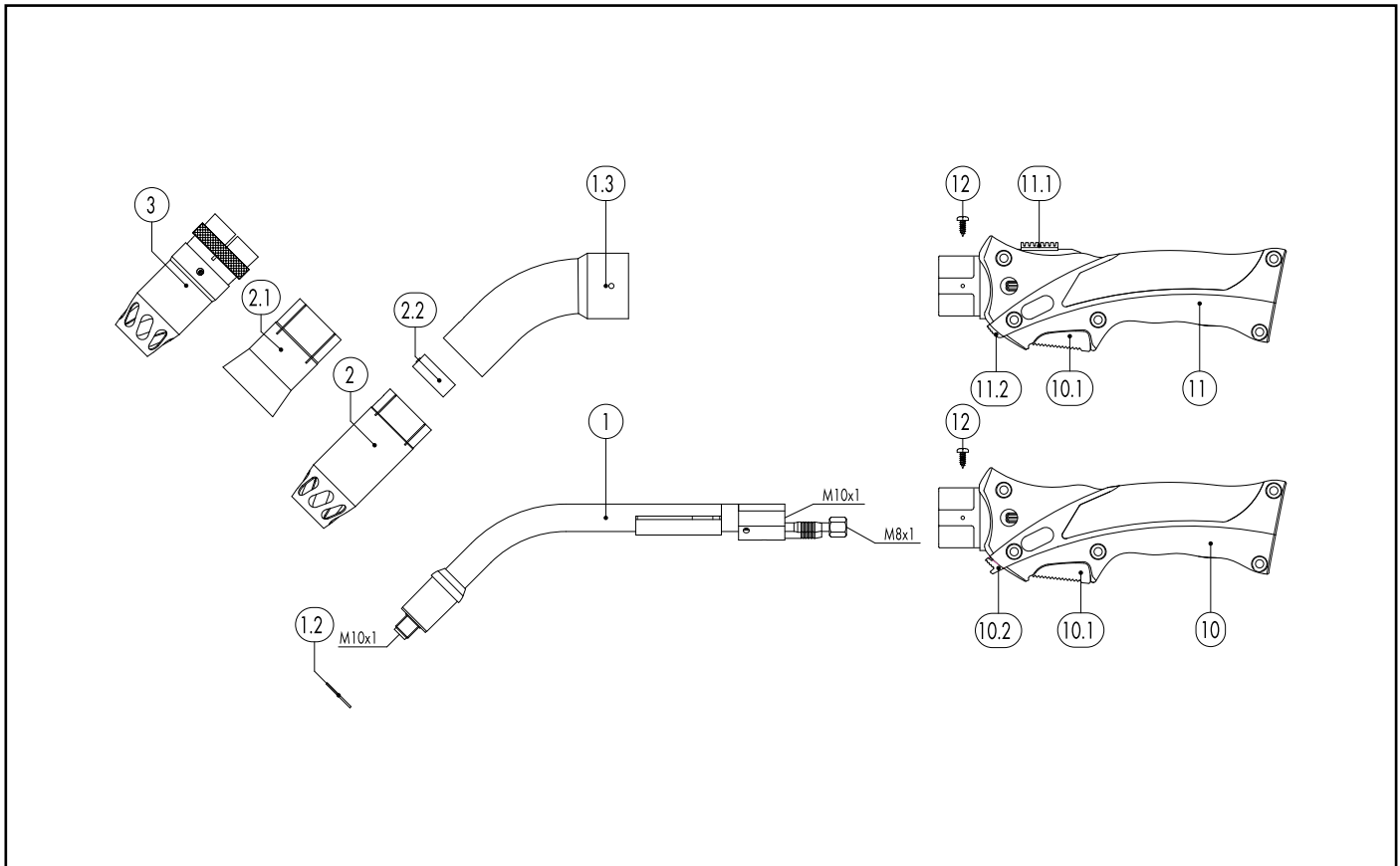


Pos.	Description	Units	Part-No.	Product-group
58	Adaptor nut M33x2		500.0213	9010
59	Central adaptor WZ-2		501.0015	9010
60	Coupling nut M10x1	10 Pcs.	501.0082	9010
61	O-Ring 4x1	20 Pcs.	165.0002	9010
62	Trigger wire connector; female	20 Pcs.	175.0003	9010
<b>Wear parts</b>				
70	Gas diffuser, white	10 Pcs.	012.0183	1032
70	Gas diffuser, silicone rubber	10 Pcs.	012.0243	1032
80	Contact tip holder M6; 26.0 mm	10 Pcs.	142.0003	1033
81	Contact tip holder M6; 28.0 mm	10 Pcs.	142.0010	1033
90	Contact tip M6 E-Cu; Ø 0.8 (8x28)	10 Pcs.	140.0051	1030
90	Contact tip M6 E-Cu; Ø 1.0 (8x28)	10 Pcs.	140.0242	1030
90	Contact tip M6 E-Cu; Ø 1.2 (8x28)	10 Pcs.	140.0379	1030
90	Contact tip M6 CuCrZr; Ø 0.8 (8x28)	10 Pcs.	140.0054	1031
90	Contact tip M6 CuCrZr; Ø 1.0 (8x28)	10 Pcs.	140.0245	1031
90	Contact tip M6 CuCrZr; Ø 1.2 (8x28)	10 Pcs.	140.0382	1031
90	Contact tip M6 E-Cu; Ø 0.8 for alu wire (8x28)	10 Pcs.	141.0001	1030
90	Contact tip M6 E-Cu; Ø 1.0 for alu wire (8x28)	10 Pcs.	141.0006	1030
90	Contact tip M6 E-Cu; Ø 1.2 for alu wire (8x28)	10 Pcs.	141.0010	1030
90	Contact tip M6 CuCrZr silver-plated; Ø 0.8 (8x28)	10 Pcs.	147.0054	1031
90	Contact tip M6 CuCrZr silver-plated; Ø 1.0 (8x28)	10 Pcs.	147.0245	1031
90	Contact tip M6 CuCrZr silver-plated; Ø 1.2 (8x28)	10 Pcs.	147.0382	1031
100	Gas nozzle; cylindrical; ND Ø 17.0	10 Pcs.	145.0047	1036
101	Gas nozzle; conical; ND Ø 12.5	10 Pcs.	145.0080	1036
120	Guide spiral liner blank; 1.5/4.0; for wire Ø 0.8; for 3.00 m		122.0005	1034
120	Guide spiral liner blank; 1.5/4.0; for wire Ø 0.8; for 4.00 m		122.0007	1034

# MIG/MAG Fume Extraction Torches RAB GRIP 240 D

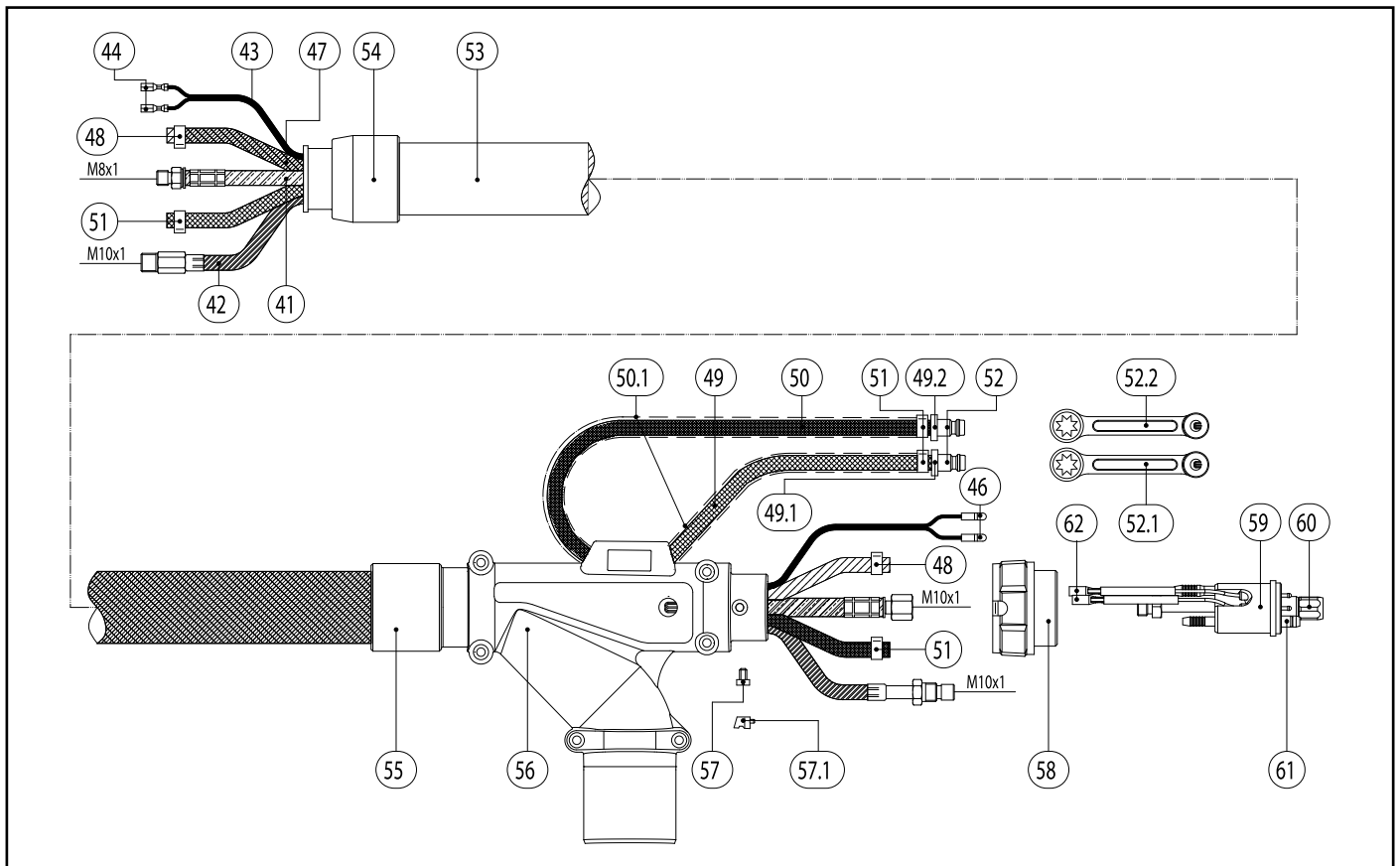
Pos.	Description	Units	Part-No.	Product-group
120	Guide spiral liner blank; 1.5/4.0; for wire Ø 0.8; for 5.00 m		122.0009	1034
120	Guide spiral liner blank; 2.0/4.5; for wire Ø 1.0–1.2; for 3.00 m		122.0031	1034
120	Guide spiral liner blank; 2.0/4.5; for wire Ø 1.0–1.2; for 4.00 m		122.0036	1034
120	Guide spiral liner blank; 2.0/4.5; for wire Ø 1.0–1.2; for 5.00 m		122.0039	1034
130	PTFE core liner 1.5/4.0; blue; wire electrode Ø 0.8–1.0; for 3.00 m		126.0005	1034
130	PTFE core liner 1.5/4.0; blue; wire electrode Ø 0.8–1.0; for 4.00 m		126.0008	1034
130	PTFE core liner 1.5/4.0; blue; wire electrode Ø 0.8–1.0; for 5.00 m		126.0011	1034
130	PTFE core liner 2.0/4.0; red; wire electrode Ø 1.0–1.2; for 3.00 m		126.0021	1034
130	PTFE core liner 2.0/4.0; red; wire electrode Ø 1.0–1.2; for 4.00 m		126.0026	1034
130	PTFE core liner 2.0/4.0; red; wire electrode Ø 1.0–1.2; for 5.00 m		126.0028	1034
130	PTFE carbon core liner 1.5/4.0; wire electrode Ø 0.8–1.0; for 3.00 m		127.0002	1034
130	PTFE carbon core liner 1.5/4.0; wire electrode Ø 0.8–1.0; for 4.00 m		127.0003	1034
130	PTFE carbon core liner 1.5/4.0; wire electrode Ø 0.8–1.0; for 5.00 m		127.0004	1034
130	PTFE carbon core liner 2.0/4.0; wire electrode Ø 1.0–1.2; for 3.00 m		127.0005	1034
130	PTFE carbon core liner 2.0/4.0; wire electrode Ø 1.0–1.2; for 4.00 m		127.0007	1034
130	PTFE carbon core liner 2.0/4.0; wire electrode Ø 1.0–1.2; for 5.00 m		127.0008	1034
131	Nipple for core liner at Ø 4.0	20 Pcs.	131.0001	1095
132	O-Ring 3.5x1.5	20 Pcs.	165.0008	9010
133	Guide tube for core liners up to Ø 4.0 (200 mm)	10 Pcs.	129.0461	1095
140	Combined wire guide cpl. polyamide/brass; wire Ø 1.0–1.2; for 3.00 m		128.M002	1034
140	Combined wire guide cpl. polyamide/brass; wire Ø 1.0–1.2; for 4.00 m		128.M003	1034
140	Combined wire guide cpl. polyamide/brass; wire Ø 1.0–1.2; for 5.00 m		128.M004	1034
141	Brass spiral made up with sleeve (200 mm)	10 Pcs.	001.0305	1095
200	Spanner Standard		191.0001	9010

# MIG/MAG Fume Extraction Torches RAB GRIP 501 / 501 D



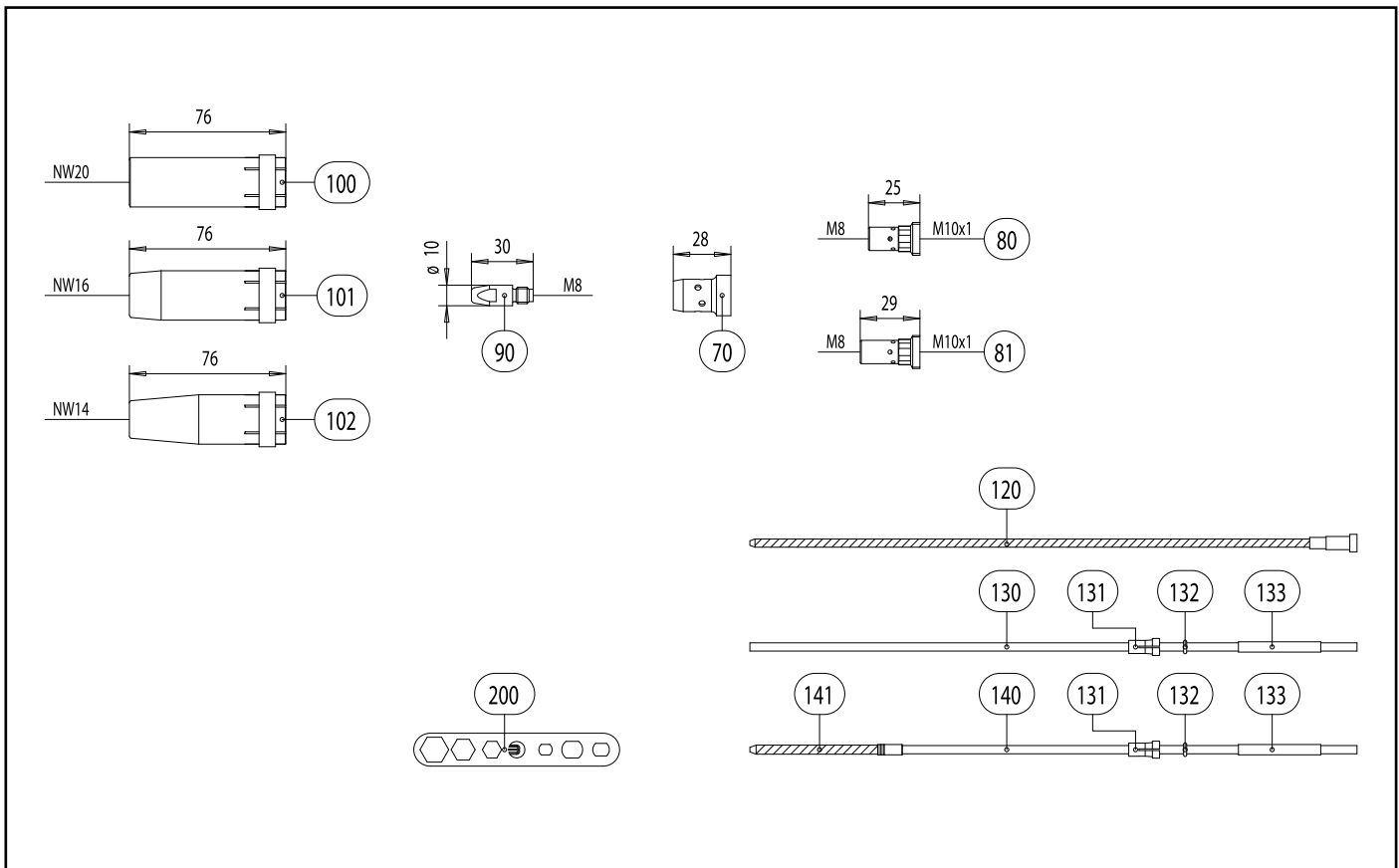
Pos.	Description	Units	Part-No.	Product-group
	<b>Torch D (Suction nozzle with spring clip, feed air slide below)</b>			
	RAB GRIP 501 D; central adaptor WZ-2; 3.00 m		634.3003.1	1620
	RAB GRIP 501 D; central adaptor WZ-2; 4.00 m		634.3004.1	1620
	RAB GRIP 501 D; central adaptor WZ-2; 5.00 m		634.3005.1	1620
	<b>Torch (Suction nozzle with spring clip, feed air slide below)</b>			
	RAB GRIP 501; central adaptor WZ-2; 3.00 m		632.3003.1	1620
	RAB GRIP 501; central adaptor WZ-2; 4.00 m		632.3004.1	1620
	RAB GRIP 501; central adaptor WZ-2; 5.00 m		632.3005.1	1620
	<b>Torch D (Suction nozzle with Quicklock, feed air slide on top)</b>			
	RAB GRIP 501 D Quicklock; central adaptor WZ-2; 3.00 m		634.3030.1	1620
	RAB GRIP 501 D Quicklock; central adaptor WZ-2; 4.00 m		634.3031.1	1620
	RAB GRIP 501 D Quicklock; central adaptor WZ-2; 5.00 m		634.3032.1	1620
	<b>Torch (Suction nozzle with Quicklock, feed air slide on top)</b>			
	RAB GRIP 501 Quicklock; central adaptor WZ-2; 3.00 m		632.3015.1	1620
	RAB GRIP 501 Quicklock; central adaptor WZ-2; 4.00 m		632.3016.1	1620
	RAB GRIP 501 Quicklock; central adaptor WZ-2; 5.00 m		632.3017.1	1620
	<b>Swan neck (D-Version)</b>			
1	Swan neck RAB GRIP 501 D; 45° bent		634.3001.1	1009
1.2	Insulator	20 Pcs.	030.0019	1095
1.3	Outer neck		600.2002	1095
	<b>Swan neck</b>			
	Swan neck RAB GRIP 501; 45° bent		632.3001.1	1009
	Insulator	20 Pcs.	030.0019	1095
	Outer neck RAB 501		632.2009	1095
	<b>Fume shroud</b>			
2	Fume shroud with spring clip (type 36, 501)		600.2044.1	1602

# MIG/MAG Fume Extraction Torches RAB GRIP 501 / 501 D



Pos.	Description	Units	Part-No.	Product-group
2.1	Fume shroud (funnel)		612.0023	1602
2.2	Spring clip		600.2028	1095
3	Fume shroud with Quicklock (type 36, 501)		600.3009.1	1602
<b>Handle RAB GRIP standard</b>				
10	Handle RAB GRIP Standard (feed air slide below)		180.0138.1	1095
10.1	Trigger 2-pole GRIP		185.0101	9010
10.2	Supply air slide RAB GRIP	10 Pcs.	400.1452.10	9010
<b>Handle RAB GRIP ZO</b>				
11	Handle RAB GRIP ZO (feed air slide on top)		180.0144.1	1095
11.1	Supply air slide cpl. For RAB GRIP handle ZO		400.1631.1	1095
11.2	Sealing cover	10 Pcs.	400.1496.10	1095
<b>Cable assembly</b>				
41	Power cable ABIMIG® GRIP / RAB GRIP (PVC) for 3.00 m		115.0581	1012
41	Power cable ABIMIG® GRIP / RAB GRIP (PVC) for 4.00 m		115.0582	1012
41	Power cable ABIMIG® GRIP / RAB GRIP (PVC) for 5.00 m		115.0583	1012
42	Wire conduit RAB GRIP cpl. For 5.00 m		154.0002	1012
42	Wire conduit RAB GRIP cpl. For 3.00 m		154.0003	1012
42	Wire conduit RAB GRIP cpl. For 4.00 m		154.0004	1012
43	Control cable 2-pole	200 m	100.0019	4050
44	Trigger wire connector	20 Pcs.	175.0022	9010
46	Plug	20 Pcs.	175.0004	9010
47	Hose 30 black Ø 4.9x1.5	100 m	109.0040	4050
48	Hose clamp Ø 8.7 mm	100 Pcs.	171.0002	9010
49	Hose 47 blue Ø 5.5x1.5	100 m	109.0057	4050
49.1	Code colour ring blue	20 Pcs.	501.2167	9010
49.2	Code colour ring red	20 Pcs.	501.2166	9010

# MIG/MAG Fume Extraction Torches RAB GRIP 501 / 501 D

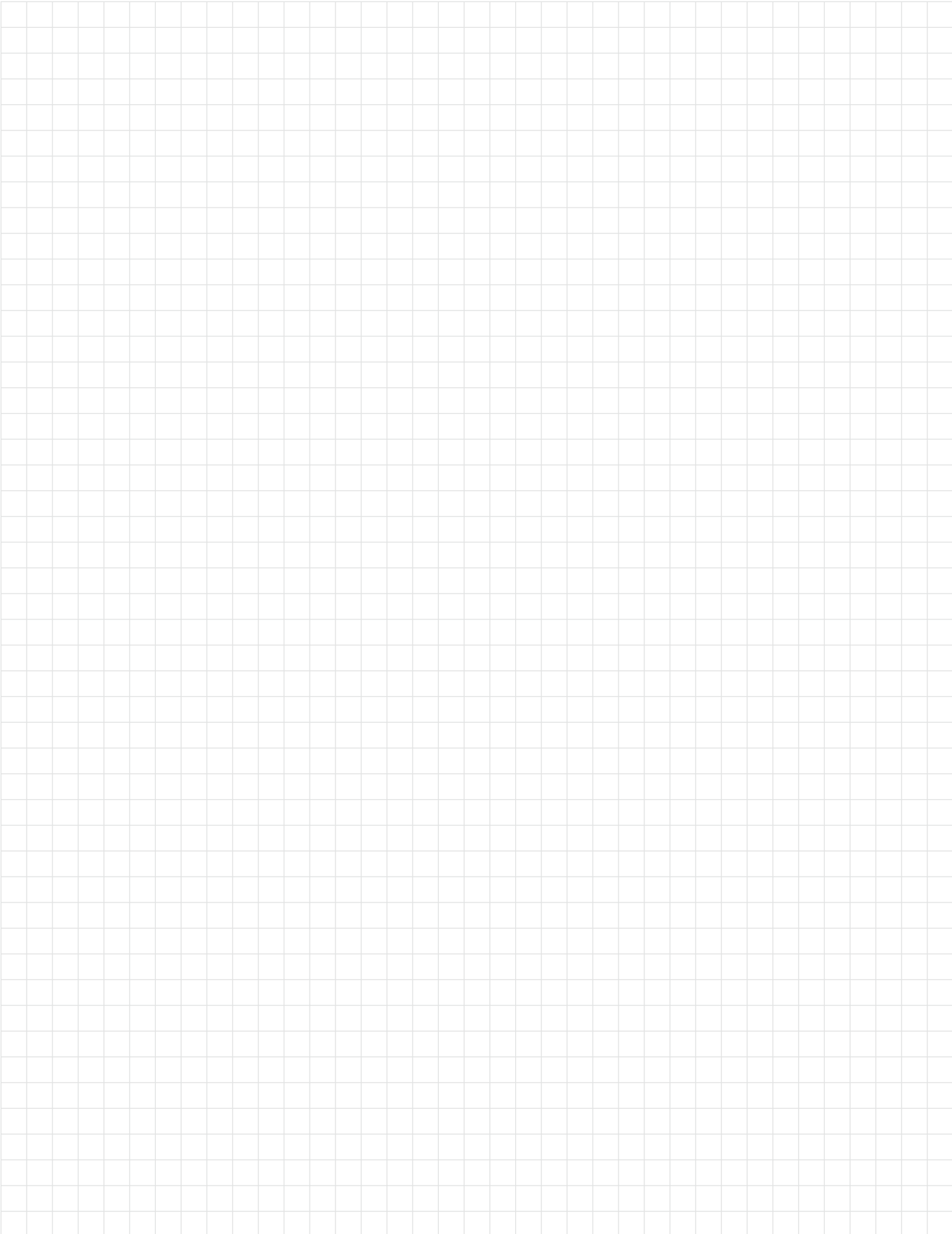


Pos.	Description	Units	Part-No.	Product-group
50	Hose 46 red Ø 5.5x1.5 cpl. with plug nipple ND 5; 0.6 m		103.0114	1095
	Hose 46 red Ø 5.5x1.5	100 m	109.0056	4050
50.1	Protective tube NW 9.9	10 Pcs.	110.0053.10	1095
51	Hose clamp Ø 9.0 mm with ring (mark 9.5)	100 Pcs.	173.0001	9010
52	Plug nipple ND 5 mm / Ø 6.0 mm	20 Pcs.	501.0114	9010
52.1	Fastener cap red	20 Pcs.	501.2423	1095
52.2	Fastener cap blue	20 Pcs.	501.2424	1095
53	Hose 34 black LW 38 R	30 m	109.0044	4050
54	Connection sleeve RAB GRIP 240 / 501		600.0080	1095
55	Connector cpl. LW 38 for RAB GRIP		600.3006.1	1095
56	Connection housing cpl. For RAB GRIP		501.2591.1	1095
57	Pan head screw M4x6	20 Pcs.	000.0552	9010
57.1	Screw cap 1	20 Pcs.	500.0251	9010
58	Adaptor nut M33x2		500.0213	9010
59	Central adaptor WZ-2		501.0015	9010
60	Coupling nut M10x1	10 Pcs.	501.0082	9010
61	O-Ring 4x1	20 Pcs.	165.0002	9010
62	Trigger wire connector; female	20 Pcs.	175.0003	9010
	<b>Wear parts RAB GRIP 501 / 501 D</b>			
70	Gas diffuser, white	10 Pcs.	030.0145	1032
70	Gas diffuser, long life	10 Pcs.	030.0037	1032
70	Gas diffuser, ceramic	10 Pcs.	030.0190	1032
	<b>Wear parts RAB GRIP 501 D</b>			
80	Contact tip holder M8; 25.0 mm (short)	10 Pcs.	142.0022	1033
81	Contact tip holder M8; 29.0 mm (long)	10 Pcs.	142.0027	1033



# MIG/MAG Fume Extraction Torches RAB GRIP 501 / 501 D

Pos.	Description	Units	Part-No.	Product-group
	<b>Wear parts RAB GRIP 501 / 501 D</b>			
90	Contact tip M8 E-Cu; Ø 1.0 (10x30)	10 Pcs.	140.0313	1030
90	Contact tip M8 E-Cu; Ø 1.2 (10x30)	10 Pcs.	140.0442	1030
90	Contact tip M8 E-Cu; Ø 1.6 (10x30)	10 Pcs.	140.0587	1030
90	Contact tip M8 CuCrZr; Ø 1.0 (10x30)	10 Pcs.	140.0316	1031
90	Contact tip M8 CuCrZr; Ø 1.2 (10x30)	10 Pcs.	140.0445	1031
90	Contact tip M8 CuCrZr; Ø 1.6 (10x30)	10 Pcs.	140.0590	1031
90	Contact tip M8 E-Cu; Ø 1.0 for alu wire (10x30)	10 Pcs.	141.0008	1030
90	Contact tip M8 E-Cu; Ø 1.2 for alu wire (10x30)	10 Pcs.	141.0015	1030
90	Contact tip M8 E-Cu; Ø 1.6 for alu wire (10x30)	10 Pcs.	141.0022	1030
90	Contact tip M8 CuCrZr silver-plated; Ø 1.0 (10x30)	10 Pcs.	147.0316	1031
90	Contact tip M8 CuCrZr silver-plated; Ø 1.2 (10x30)	10 Pcs.	147.0445	1031
90	Contact tip M8 CuCrZr silver-plated; Ø 1.6 (10x30)	10 Pcs.	147.0590	1031
100	Gas nozzle; cylindrical; ND Ø 20.0	10 Pcs.	145.0051	1037
101	Gas nozzle; conical; ND Ø 16.0	10 Pcs.	145.0085	1037
102	Gas nozzle; tapered; ND Ø 14.0	10 Pcs.	145.0132	1037
120	Guide spiral liner blank; 2.0/4.5; for wire Ø 1.0–1.2; for 3.00 m		122.0031	1034
120	Guide spiral liner blank; 2.0/4.5; for wire Ø 1.0–1.2; for 4.00 m		122.0036	1034
120	Guide spiral liner blank; 2.0/4.5; for wire Ø 1.0–1.2; for 5.00 m		122.0039	1034
120	Guide spiral liner blank; 2.5/4.5; for wire Ø 1.6; for 3.00 m		122.0056	1034
120	Guide spiral liner blank; 2.5/4.5; for wire Ø 1.6; for 4.00 m		122.0060	1034
120	Guide spiral liner blank; 2.5/4.5; for wire Ø 1.6; for 5.00 m		122.0063	1034
130	PTFE core liner 2.0/4.0; red; wire electrode Ø 1.0–1.2; for 3.00 m		126.0021	1034
130	PTFE core liner 2.0/4.0; red; wire electrode Ø 1.0–1.2; for 4.00 m		126.0026	1034
130	PTFE core liner 2.0/4.0; red; wire electrode Ø 1.0–1.2; for 5.00 m		126.0028	1034
130	PTFE core liner 2.7/4.7; yellow; wire electrode Ø 1.6; for 3.00 m		126.0039	1034
130	PTFE core liner 2.7/4.7; yellow; wire electrode Ø 1.6; for 4.00 m		126.0042	1034
130	PTFE core liner 2.7/4.7; yellow; wire electrode Ø 1.6; for 5.00 m		126.0045	1034
130	PTFE carbon core liner 2.0/4.0; wire electrode Ø 1.0–1.2; for 3.00 m		127.0005	1034
130	PTFE carbon core liner 2.0/4.0; wire electrode Ø 1.0–1.2; for 4.00 m		127.0007	1034
130	PTFE carbon core liner 2.0/4.0; wire electrode Ø 1.0–1.2; for 5.00 m		127.0008	1034
130	PTFE carbon core liner 2.7/4.7; wire electrode Ø 1.6; for 3.00 m		127.0010	1034
130	PTFE carbon core liner 2.7/4.7; wire electrode Ø 1.6; for 4.00 m		127.0012	1034
130	PTFE carbon core liner 2.7/4.7; wire electrode Ø 1.6; for 5.00 m		127.0013	1034
131	Nipple for core liner at Ø 4.0	20 Pcs.	131.0001	1095
131	Nipple for core liner at Ø 4.7	20 Pcs.	131.0002	1095
132	O-Ring 3.5x1.5	20 Pcs.	165.0008	9010
133	Guide tube for core liners up to Ø 4.0 (200 mm)	10 Pcs.	129.0461	1095
140	Combined wire guide cpl. polyamide/brass; wire Ø 1.0–1.2; for 3.00 m		128.M002	1034
140	Combined wire guide cpl. polyamide/brass; wire Ø 1.0–1.2; for 4.00 m		128.M003	1034
140	Combined wire guide cpl. polyamide/brass; wire Ø 1.0–1.2; for 5.00 m		128.M004	1034
141	Brass spiral made up with sleeve (200 mm)	10 Pcs.	001.0305	1095
200	Spanner Standard		191.0001	9010



## Fume Extraction System

# FES-200 / FES-200 W3

### “Room to breath“

Mobile, powerful and easy to use! The Fume Extraction System FES-200 – for optimum extraction of contaminants with fume extraction directly at the arc. The W3 version is certified for all CrNi-steels!

The high-vacuum extraction unit FES-200 and FES-200 W3 with the RAB GRIP torches constitutes the perfect system to extract welding fumes most effectively. Hence, the welder and his environment are best protected, and the most productive work enabled.

- Weighs approx. 23 kg
- Automatic Start/Stop function included in basic equipment
- Integrated manual filter cleaning system for longer uses
- A filter contamination meter; only clean when necessary
- IFA certified W3-License



### Technical data Fume Extraction System “FES-200“ and “FES-200 W3“

	<b>FES-200</b>	<b>FES-200 W3</b>
Dimensions:	Length 500 mm; Width 210 mm; Height 590 mm	Length 630 mm; Width 210 mm; Height 590 mm
Weight:	approx. 23 kg	approx. 23.5 kg
Max. airflow:	200 m <sup>3</sup>	200 m <sup>3</sup>
Connection inner Ø:	50 mm	50 mm
Max. negative pressure:	19000 Pa	19000 Pa
Voltage:	115 V / 230 V	230 V
Motor:	1.1 kW	1.1 kW
Filter surface:	Permanent filter dust class M, 0.8 m <sup>2</sup>	Permanent filter dust class H13, 0.8 m <sup>2</sup>

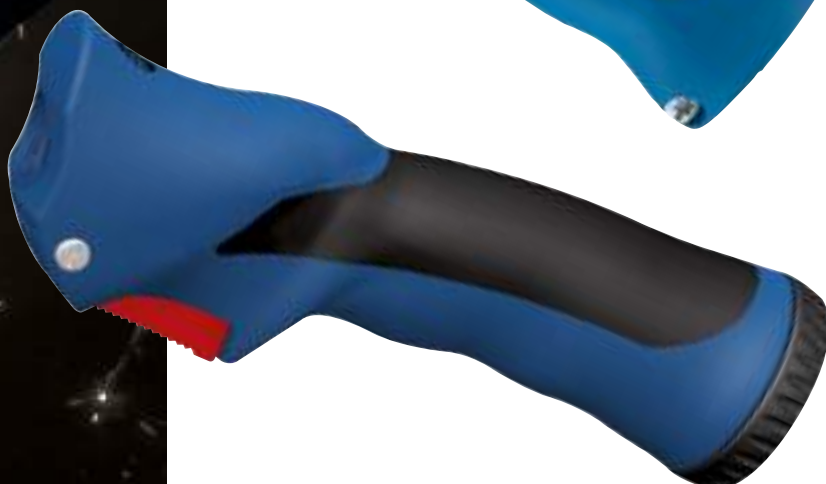
# Fume Extraction System FES-200 / FES-200 W3



Pos.	Description	Units	Part-No.	Product-group
<b>Fume Extraction System</b>				
1	Fume Extraction System FES-200 (230 V)		601.0001.1	7020
1	Fume Extraction System FES-200 (110 V)		601.0002.1	7020
<b>Wear parts</b>				
3	Carbon brush 230 V		601.0005.1	7021
3	Carbon brush 110 V		601.0017.1	7021
4	Filter cartridge FES-200, Ø = 150 x 325 mm		601.0008.1	7021
4	Filter cartridge FES-200 W3, Ø = 150 x 325 mm		601.0048.1	7021
<b>Accessories</b>				
5	Hose with sleeves		601.0015.1	7021
6	Adapter ring (connection for two hoses)		601.0046.1	7021
	Start/Stop probe, 4-pole		601.0041.1	7021
8	Plastic bag (without drawer)	10 Pcs.	601.0021.10	7021
9	Exhaust case FES-200		601.0023.1	7021
10	Adaptor ring FES-200 / RAB GRIP (50 / 44 mm)		601.0031.1	7021

MIG/MAG-Handles and control modules

**MB GRIP /  
ABIMIG® GRIP /  
ABIMIG® A T LW /  
RAB GRIP**



# Handles and control modules MB GRIP / ABIMIG® GRIP

## 1. Handle Type MB GRIP



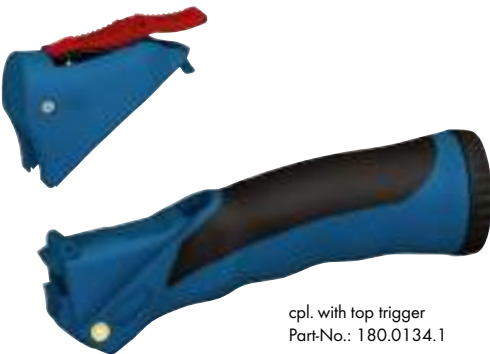
Part-No.: 180.0127

## 2. Handle Type ABIMIG® GRIP S



Part-No.: 180.0132.1

## 3. Handle Type ABIMIG® GRIP TO



cpl. with top trigger  
Part-No.: 180.0134.1

## 4. Handle Type ABIMIG® GRIP SH

### 4.01



**BIS-01L**  
Control module with potentiometer  
left 10 kΩ

### 4.02



**BIS-01R**  
Control module with potentiometer  
right 10 kΩ

### 4.03



**BIS-02**  
Control module with potentiometer left  
10 kΩ LED for Migatronik

### 4.04



**BIS-06**  
Control module with push-button and 4 LED

### 4.05



**BIS-07B**  
Control module Up/Down 7-Segment  
Switch crosswise

### 4.06



**BIS-10A**  
Control module Up/Down Switch lengthwise

### 4.07



**BIS-10B**  
Control module Up/Down Switch crosswise

### 4.08



**BIS-10D**  
Control module Up/Down Switch crosswise  
for Fronius

### 4.9



**BIS-13A**  
Control module Up/Down 2x Switch  
lengthwise for EWM

### 4.10



**BIS-18**  
Control module Up/Down 2x Push-Button  
for Cloos

### 4.11



**BIS-19**  
Control module Push-Button 3-Steps



incl. add-on for control modules  
Part-No.: 180.0133.1

## 5. Adapter



for all torch types MB ERGO / MB GRIP / ABIMIG® GRIP 155-355  
for using the handles Type ABIMIG® GRIP / ABIMIG® GRIP SH / ABIMIG® GRIP TO  
Part-No.: 400.1341.1

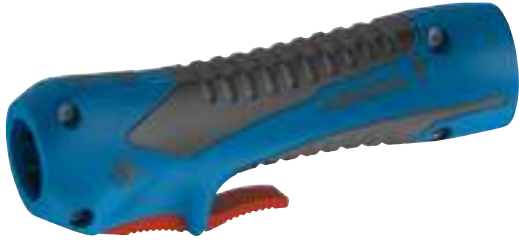
**Please note:** All trademarks named in this brochure are the property of the respective companies.

# Handles and control modules MB GRIP / ABIMIG® GRIP

Pos.	Description	Units	Part-No.	Product-group
	<b>Handle type MB GRIP</b>			
1	Handle GRIP with trigger cpl.		180.0127	1095
	Trigger 2-pole GRIP		185.0101	9010
	Ball joint cable protection MB GRIP (air cooled)		400.1395.1	1095
	Ball joint cable protection MB GRIP / ABIMIG® GRIP W (liquid cooled)		400.1392.1	1095
	Inner ring for ABIMIG® / ABIMIG® GRIP / MB GRIP (liquid cooled)		400.0790	1095
	Ball joint cable support short for ABIMIG® GRIP A		400.1323.1	1095
	<b>Handle type ABIMIG® GRIP S</b>			
2	Handle GRIP type S with trigger cpl.		180.0132.1	1395
	Trigger 2-pole GRIP	5 Pcs.	185.0107.5	1395
	Ball joint cable support short for ABIMIG® GRIP A		400.1323.1	1095
	Ball joint cable protection MB GRIP / ABIMIG® GRIP W (liquid cooled)		400.1392.1	1095
	Inner ring for ABIMIG® / ABIMIG® GRIP / MB GRIP (liquid cooled)		400.0790	1095
	<b>Handle type ABIMIG® GRIP TO</b>			
3	Handle GRIP type TO with switch on top cpl.		180.0134.1	1395
	<b>Handle type ABIMIG® GRIP SH</b>			
4	Handle GRIP type SH with trigger cpl. (without module)		180.0133.1	1395
	Trigger 2-pole GRIP	5 Pcs.	185.0107.5	1395
4.01	Control module BIS-01L with potentiometer left 10 k-Ohm		400.0956	1395
4.02	Control module BIS-01R with potentiometer right 10 k-Ohm		400.0957	1395
4.03	Control module BIS-02 with potentiometer 10 k-Ohm LED for Migatronic®		400.0958	1395
4.04	Control module BIS-06 with push-button and 4 LED		400.0959	1395
4.05	Control module BIS-07B Up/Down 7-segment switch crosswise		400.0961	1395
4.06	Control module BIS-10A Up/Down switch lengthwise		400.0963	1395
4.07	Control module BIS-10B Up/Down switch crosswise		400.0964	1395
4.08	Control module BIS-10D Up/Down switch crosswise for Fronius®		400.1085	1395
4.09	Control module BIS-13A Up/Down 2x switch lengthwise for EWM®		400.0966	1395
4.10	Control module BIS-18 Up/Down 2x push button for Cloos®		400.1545.1	1395
4.11	Control module BIS-19 push-button 3-Steps		400.1088	1395
	<b>Adapter</b>			
5	Adapter for handle GRIP type S, SH and TO		400.1341.1	1395

# Handles and control modules ABIMIG® A T LW

6. Handle Type ABIMIG® A T LW



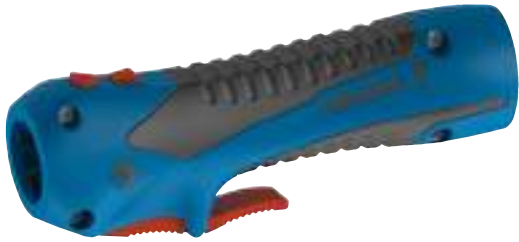
Push-button long, blind cover  
Part-No.: 180.D077.1

7. Handle Type ABIMIG® A T LW



Push-button short, blind cover  
Part-No.: 180.D078.1

8. Handle Type ABIMIG® A T LW



BIS-52 Push-button long, Up/Down  
Part-No.: 180.D079.1

9. Handle Type ABIMIG® A T LW



BIS-52 Push-button short, Up/Down  
Part-No.: 180.D080.1

Pos.	Description	Units	Part-No.	Product-group
	<b>Handle ABIMIG® A T LW without module</b>			
6	Handle ABIMIG® A T with push-button long		180.D077.1	1595
7	Handle ABIMIG® A T with push-button short		180.D078.1	1595
	Cable support ABIMIG® A T LW (short)		400.D574.1	1595
	Half rings (1 pair)	2 Pcs.	400.D561.2	1595
	<b>Handle ABIMIG® A T LW with module</b>			
8	Handle ABIMIG® A T with push-button long (without module BIS-52)		180.D079.1	1595
9	Handle ABIMIG® A T with push-button short (without module BIS-52)		180.D080.1	1595
	Cable support ABIMIG® A T LW (short)		400.D574.1	1595
	Half rings (1 pair)	2 Pcs.	400.D561.2	1595



# Handles and control modules RAB GRIP

## 10. Handle Type RAB GRIP Standard



Push-button, feed air slide below  
Part-No.: 180.0138.1

## 11. Handle Type RAB GRIP ZO



Push-button, feed air slide on top  
Part-No.: 180.0144.1

## 12. Handle Type RAB GRIP SH



Push-button, feed air slide below  
Part-No.: 180.0154.1

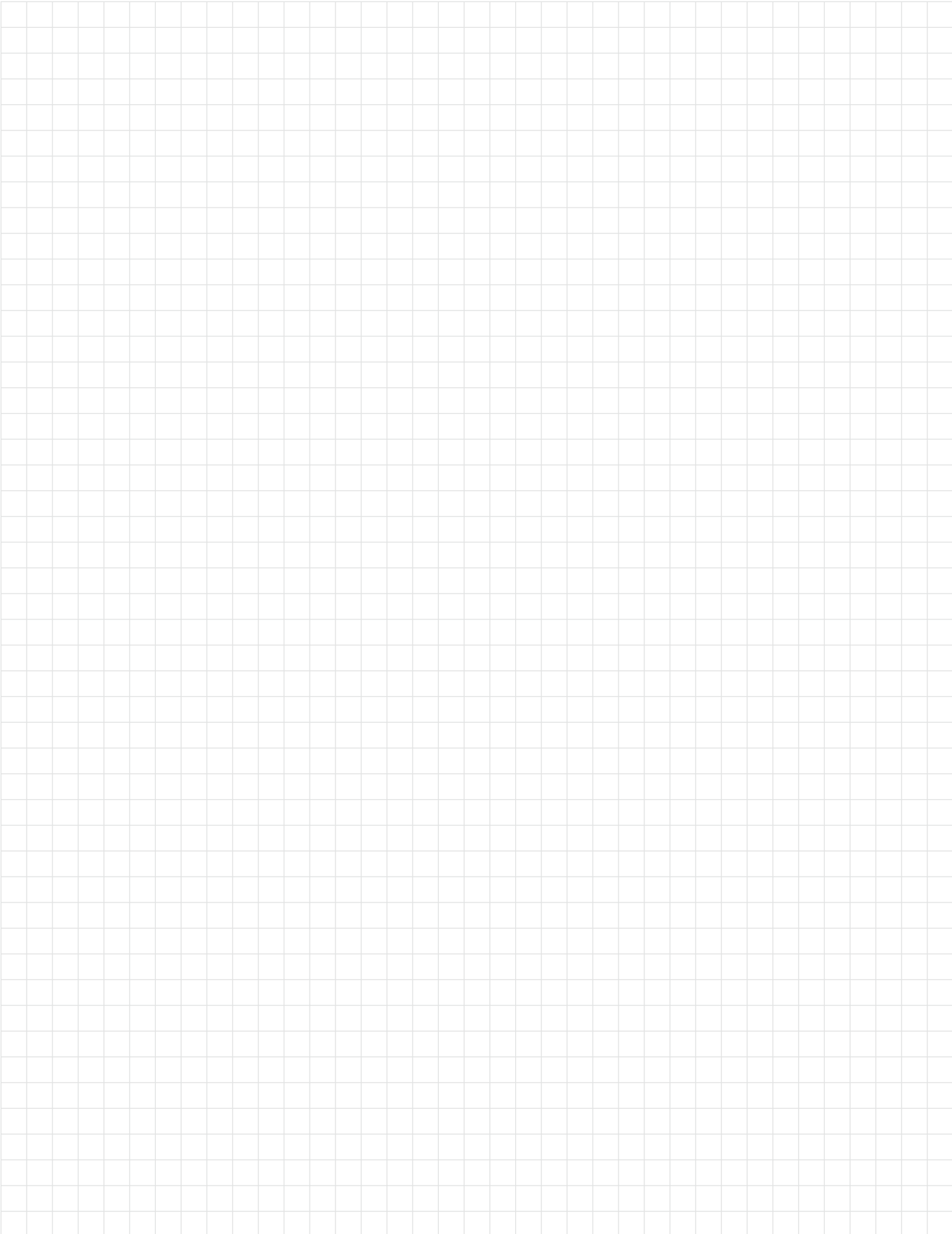


**BIS-51**  
Control module push-button



**BIS-52**  
Control module Up/Down  
2x push-button

Pos.	Description	Units	Part-No.	Product-group
<b>Handle RAB GRIP without module</b>				
10	Handle RAB GRIP Standard (feed air slide below)		180.0138.1	1095
11	Handle RAB GRIP ZO (feed air slide on top)		180.0144.1	1095
	Connector RAB GRIP 15 / 24 / 25 / 36		600.2008	1095
	Connector RAB GRIP 240 / 501		600.0080	1095
<b>Handle RAB GRIP with module</b>				
12	Handle RAB GRIP SH for module (feed air slide below)		180.0154.1	1095
	Connector RAB GRIP 15 / 24 / 25 / 36		600.2008	1095
	Connector RAB GRIP 240 / 501		600.0080	1095
13	Control module BIS-51 single push-button		400.1296.1	2005
14	Control module BIS-52 double push-button		400.1292.1	2005



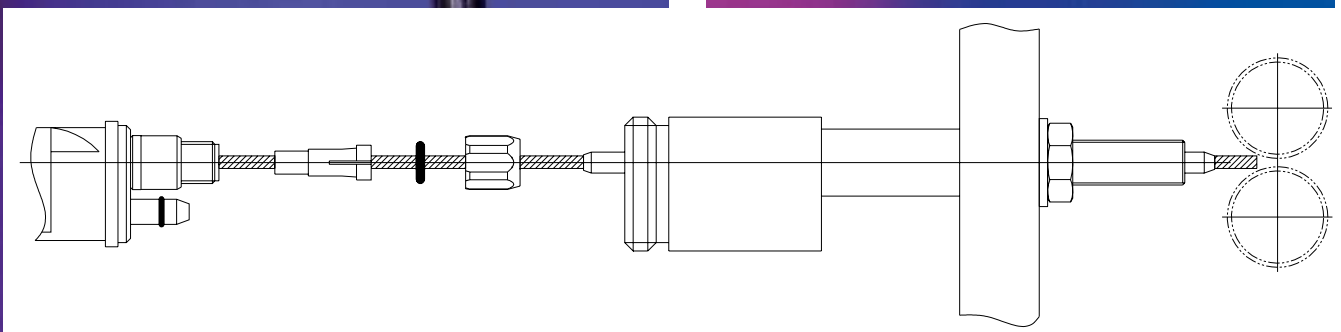
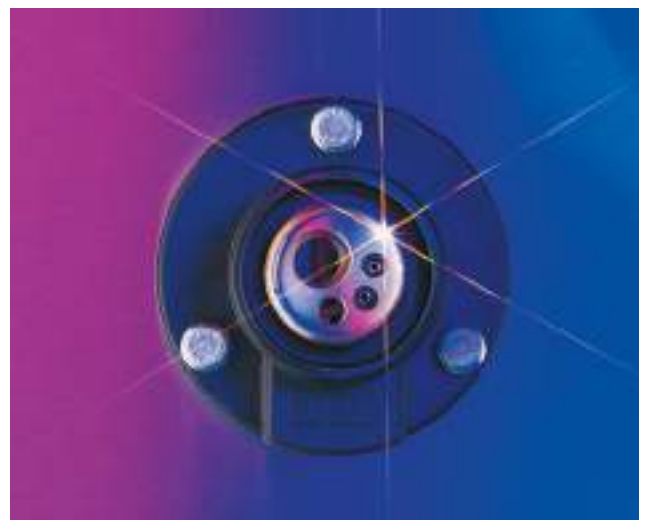
## Central adaptor and central connector system

**“The universal connection ...”**

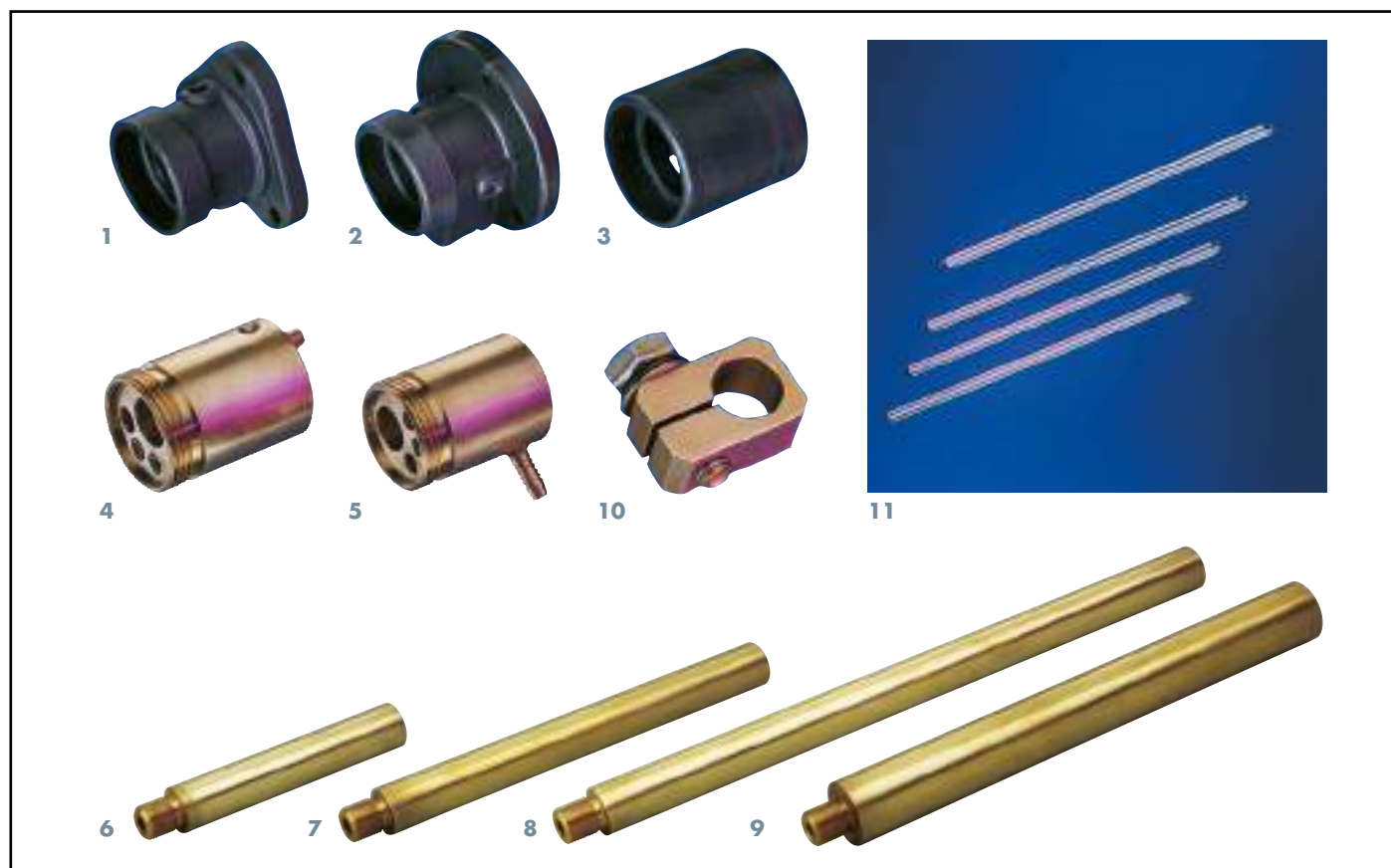
The original ABICOR BINZEL central adaptor and central connector, for air and liquid cooled MIG/MAG machines, have been the industry standard for more than 40 years.

All machine types are different in construction and all wire feeding systems have their own dimensions. However, there is a common denominator the central adaptor system from ABICOR BINZEL.

We offer more than 500 different central adaptor types. Please indicate manufacturer and type of your wire feeder or your compact power source and we will supply you with the appropriate adaptor. However, if an adaptation problem should occur, please contact us - we will take care of it.

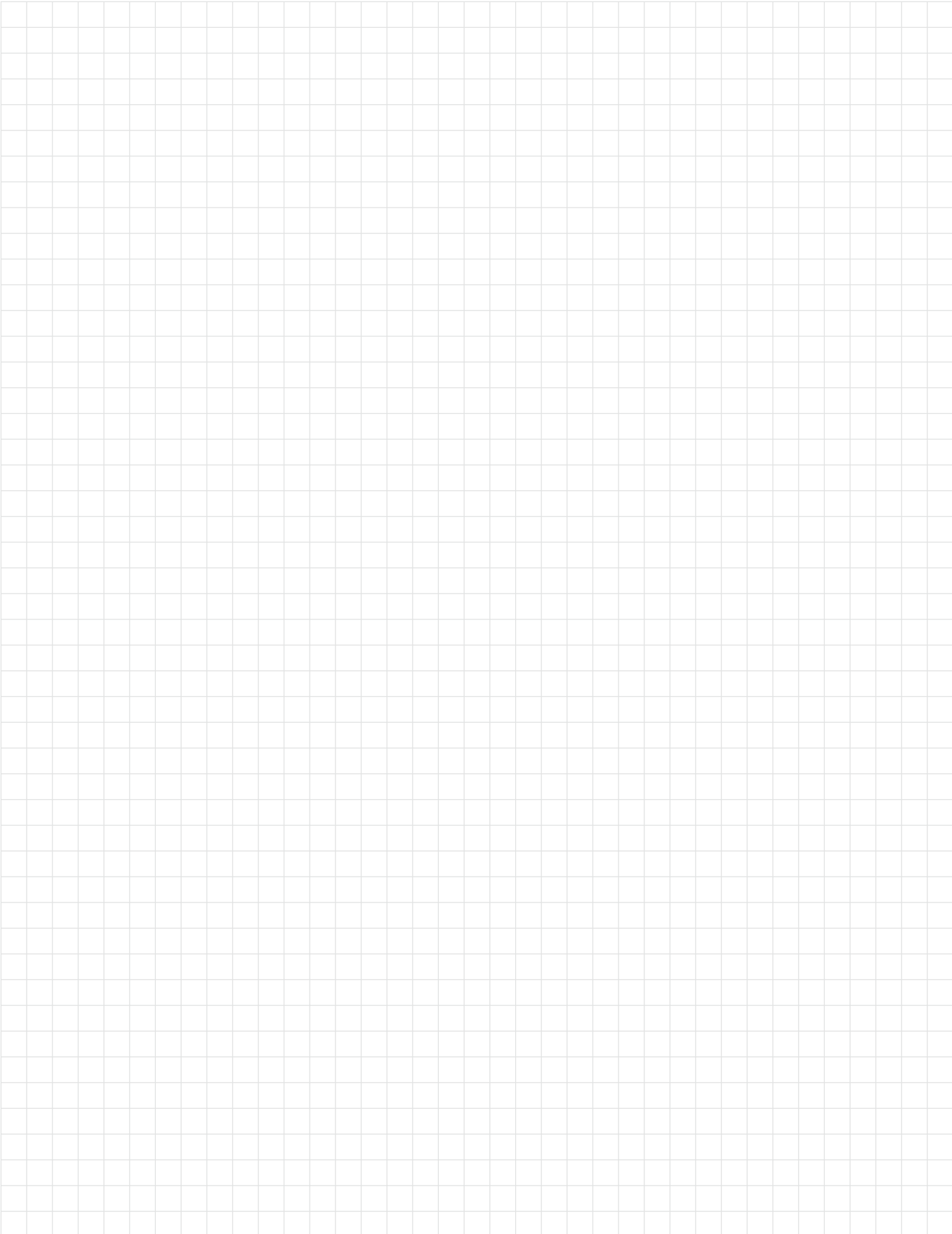


## Central adaptor and central connector system



Pos.	Description	Units	Part-No.	Product-group
<b>Insulation flanges</b>				
	Insulating flange Ø 120 mm		501.0602	1095
1	Insulating flange 85 mm, triangular		501.2381	1095
2	Insulation flange Ø 85 mm		501.0616	1095
3	Insulating flange Ø 50 mm		501.0588	1095
w/o.fig.	Insulating flange 60 mm, quadrangular		501.2308	1095
<b>Brass bodies</b>				
4	Brass body (gas axial)		501.0168	1095
5	Brass body (gas radial)		501.0169	1095
w/o.fig.	Socket with control leads 600 mm (white)		501.0183	1095
w/o.fig.	Socket with control leads 600 mm (brown)		501.2020	1095
<b>Adaptor plugs</b>				
6	Blank Ø 16 (100 mm)		501.2191	1095
7	Blank Ø 16 (170 mm)		501.2192	1095
8	Blank Ø 16 (250 mm)		501.2193	1095
9	Blank Ø 22 (200 mm)		501.2190	1095
<b>Power lug</b>				
10	Power clamp		501.0280	1095
<b>Capillary tubes</b>				
	Capillary tube for wire Ø 1.0 mm (Ø = 1.5x 5.0 mm / length = 200 mm)	5 Pcs.	129.0164	1095
	Capillary tube for wire Ø 1.0 mm (Ø = 1.5x 5.0 mm / length = 300 mm)	10 Pcs.	129.0187	1095
	Capillary tube for wire Ø 1.0 mm (Ø = 1.5x 5.0 mm / length = 500 mm)	10 Pcs.	129.0189	1095
	Capillary tube for wire Ø 1.0 mm (Ø = 1.5x 5.0 mm / length = 1000 mm)		129.0107	1095
	Capillary tube for wire Ø 1.6 mm (Ø = 2.0x 5.0 mm / length = 200 mm)	10 Pcs.	129.0313	1095
	Capillary tube for wire Ø 1.6 mm (Ø = 2.0x 5.0 mm / length = 300 mm)	5 Pcs.	129.0357	1095
	Capillary tube for wire Ø 1.6 mm (Ø = 2.0x 5.0 mm / length = 500 mm)	10 Pcs.	129.0361	1095





## Spare Part List (numeric)



## Spare Parts List (numeric)

Part-No.	Description	Units	Product-group
000.0552	Pan head screw M4x6	20 Pcs.	9010
000.0556	Flat headed screw M4x12	20 Pcs.	9010
000.0558	Pan head screw M4x20	20 Pcs.	9010
001.0009	Hexagon nut M10x1	10 Pcs.	9010
001.0305	Brass spiral made up with sleeve (200 mm)	10 Pcs.	1095
002.0009	Swan neck MB 15 AK; 50° bent		1007
002.0029	Swan neck MB 15 AK; flexible		1007
002.0050	Head insulator	10 Pcs.	1095
002.0058	Nozzle spring	100 Pcs.	1095
002.0078	Gas nozzle holder		1095
002.0449	MB 15 AK; ERGO; central adaptor KZ-2; 3.00 m		1006
002.0450	MB 15 AK; ERGO; central adaptor KZ-2; 4.00 m		1006
002.0451	MB 15 AK; ERGO; central adaptor KZ-2; 5.00 m		1006
002.0604	MB 15 AK GRIP; central adaptor KZ-2; 3.00 m		1008
002.0605	MB 15 AK GRIP; central adaptor KZ-2; 4.00 m		1008
002.0606	MB 15 AK GRIP; central adaptor KZ-2; 5.00 m		1008
003.0013	Nozzle spring	100 Pcs.	1095
004.0012	Swan neck MB 25 AK; 50° bent		1007
004.0032	Swan neck MB 25 AK; flexible		1007
004.0312	MB 25 AK; ERGO; central adaptor KZ-2; 3.00 m		1006
004.0313	MB 25 AK; ERGO, central adaptor KZ-2; 4.00 m		1006
004.0314	MB 25 AK; ERGO; central adaptor KZ-2; 5.00 m		1006
004.0510	MB 25 AK GRIP; central adaptor KZ-2; 3.00 m		1008
004.0511	MB 25 AK GRIP; central adaptor KZ-2; 4.00 m		1008
004.0512	MB 25 AK GRIP; central adaptor KZ-2; 5.00 m		1008
004.0638.1	COMBI swan neck A T 255K TM cpl.; 45°; X=125; Y=75; gas nozzle screwed		1306
004.0639.1	COMBI swan neck A T 255K T cpl.; 45°; X=125; Y=75; gas nozzle screwed		1306
004.0640.1	COMBI swan neck A T 255 TM cpl.; 45°; X=160; Y=85; gas nozzle screwed		1306
004.0641.1	COMBI swan neck A T 255 T cpl.; 45°; X=160; Y=85; gas nozzle screwed		1306
004.0642.1	COMBI swan neck A T 255 TM cpl.; 60°; X=135; Y=105; gas nozzle screwed		1306
004.0643.1	COMBI swan neck A T 255 T cpl.; 60°; X=135; Y=105; gas nozzle screwed		1306
004.0644.1	COMBI swan neck A T 255L TM cpl.; 45°; X=185; Y=95; gas nozzle screwed		1306
004.0645.1	COMBI swan neck A T 255L T cpl.; 45°; X=185; Y=95 gas nozzle screwed		1306
004.0646.1	COMBI swan neck A T 255 T8 FLEX cpl.; X=250; gas nozzle screwed		1306
004.D624.5	Contact tip holder M14/M6/51 US	5 Pcs.	1533
004.D763.5	Contact tip holder D15/M8/53 for slip-on gas nozzle	5 Pcs.	1533
004.D785	Swan neck ABIMIG® MT 255 T8M; 45° bent		1306
004.D826.1	Swan neck ABMIG® A T 255 T8 FLEX; X=567; gas nozzle screwed		1306
004.D831.1	Swan neck ABIMIG® A 255 LW; 45° bent		1306
004.D837.1	Swan neck ABMIG® A T 255K T; 45°; X=125; Y=75; gas nozzle screwed		1306
004.D842.1	Swan neck ABMIG® A T 255 TM; 45°; X=160; Y=85; gas nozzle screwed		1306
004.D845.1	Swan neck ABMIG® A T 257 T; 45°; X=160; Y=85; gas nozzle mated		1306
004.D846.1	Swan neck ABMIG® A T 257 TM; 45°; X=160; Y=85; gas nozzle mated		1306
004.D850.1	ABIMIG® A T 255 LW; T45°; central adaptor KZ-2; 3.00 m		1323
004.D851.1	ABIMIG® A T 255 LW; T45°; central adaptor KZ-2; 4.00 m		1323
004.D852.1	ABIMIG® A T 255 LW; T45°; central adaptor KZ-2; 5.00 m		1323
004.D860.1	Swan neck ABMIG® A T 255 TM; 60°; X=135; Y=105; gas nozzle screwed		1306
004.D894.1	ABIMIG® A T G 255 LW; central adaptor KZ-2; 3.00 m		1325
004.D895.1	ABIMIG® A T G 255 LW; central adaptor KZ-2; 4.00 m		1325
004.D896.1	ABIMIG® A T G 255 LW; central adaptor KZ-2; 5.00 m		1325



## Spare Parts List (numeric)

Part-No.	Description	Units	Product-group
004.D907.1	Swan neck ABMIG® A T 255 T; 60°; X=135, Y=106; gas nozzle screwed		1306
004.D912.1	Swan neck ABMIG® A T 255K TM; 45°; X=125; Y=75; gas nozzle screwed		1306
004.D915.1	Swan neck ABMIG® A T 257K T; 45°; X=125; Y=75; gas nozzle mated		1306
004.D916.1	Swan neck ABMIG® A T 257K TM; 45°; X=135; Y=105; gas nozzle mated		1306
004.D917.1	Swan neck ABMIG® A T 257 T; 60°; X=135; Y=105; gas nozzle mated		1306
004.D918.1	Swan neck ABMIG® A T 257 TM; 60°; X=135; Y=105; gas nozzle mated		1306
004.D919.1	Swan neck ABMIG® A T 255 T; 45°; X=185; X=95; gas nozzle screwed		1306
004.D924.1	Swan neck ABMIG® A T 255 TM; 45°; X=185; Y=95; gas nozzle screwed		1306
004.D927.1	Swan neck ABMIG® A T 257 T; 45°; X=185; Y=95; gas nozzle mated		1306
004.D928.1	Swan neck ABMIG® A T 257 TM; 45°; X=185; Y=95; gas nozzle mated		1306
006.0131.1	COMBI swan neck A T 155 K T cpl.; 45°; X=105, Y=55; M6; gas nozzle screwed		1306
006.0132.1	COMBI swan neck A T 155 T cpl.; 45°; X=125; Y=70; M6; gas nozzle screwed		1306
006.0133.1	COMBI swan neck A T 155 T8 FLEX cpl.; X=248; M6; gas nozzle screwed		1306
006.D719.5	Contact tip holder M12/M6/35 US	5 Pcs.	1533
006.D802.1	Swan neck ABMIG® A T 155 T8 FLEX; X=248; M6; gas nozzle screwed		1306
006.D804.1	Swan neck ABMIG® A 155 LW; 45° bent		1306
006.D810.1	ABMIG® A T 155 LW; T45°; central adaptor KZ-2; 3.00 m		1323
006.D811.1	ABMIG® A T 155 LW; T45°; central adaptor KZ-2; 4.00 m		1323
006.D812.1	ABMIG® A T 155 LW; T45°; central adaptor KZ-2; 5.00 m		1323
006.D841.1	ABMIG® A T G 155 LW; central adaptor KZ-2; 3.00 m		1325
006.D842.1	ABMIG® A T G 155 LW; central adaptor KZ-2; 4.00 m		1325
006.D843.1	ABMIG® A T G 155 LW; central adaptor KZ-2; 5.00 m		1325
006.D848.1	Swan neck ABMIG® A T 155 K T; 45°; X=105, Y=55; M6; gas nozzle screwed		1306
009.0315	Counter sunk screw M4x8	20 Pcs.	1095
012.0001	Swan neck MB 24 KD; 50° bent		1007
012.0103	MB 24 KD; ERGO; central adaptor KZ-2; 3.00 m		1006
012.0104	MB 24 KD; ERGO; central adaptor KZ-2; 4.00 m		1006
012.0105	MB 24 KD; ERGO; central adaptor KZ-2; 5.00 m		1006
012.0183	Gas diffuser, white	10 Pcs.	1032
012.0243	Gas diffuser, silicone rubber	10 Pcs.	1032
012.0251	MB 24 KD GRIP; central adaptor KZ-2; 3.00 m		1008
012.0252	MB 24 KD GRIP; central adaptor KZ-2; 4.00 m		1008
012.0253	MB 24 KD GRIP; central adaptor KZ-2; 5.00 m		1008
012.D122	Swan neck ABMIG® MT 255 T8M; straight		1508
013.0001	Swan neck RB 61 GD; 35° bent		1014
013.0030	Gas diffuser	10 Pcs.	1032
013.0053	RB 61 GD; industrial handle; central adaptor RGZ-2; 3.00 m		1013
013.0054	RB 61 GD; industrial handle; central adaptor RGZ-2; 4.00 m		1013
013.0097	Gas diffuser, ceramic	10 Pcs.	1032
014.0006	Swan neck MB 36 KD; 50° bent		1014
014.0023	Gas diffuser, ceramic	10 Pcs.	1032
014.0026	Gas diffuser, long life	10 Pcs.	1032
014.0143	MB 36 KD; ERGO; central adaptor KZ-2; 3.00 m		1015
014.0144	MB 36 KD; ERGO; central adaptor KZ-2; 4.00 m		1015
014.0145	MB 36 KD; ERGO; central adaptor KZ-2; 5.00 m		1015
014.0261	Gas diffuser, white	10 Pcs.	1032
014.0334	MB 36 KD GRIP; central adaptor KZ-2; 3.00 m		1016
014.0335	MB 36 KD GRIP; central adaptor KZ-2; 4.00 m		1016
014.0336	MB 36 KD GRIP; central adaptor KZ-2; 5.00 m		1016
014.0467.1	COMBI swan neck A T 305K TM cpl.; 45°; X=135, Y=75; gas nozzle screwed		1308

## Spare Parts List (numeric)

Part-No.	Description	Units	Product-group
014.0468.1	COMBI swan neck A T 305K T8M cpl.; 45°; X=135, Y=75; gas nozzle screwed		1308
014.0469.1	COMBI swan neck A T 305/355K TM cpl.; 45°; X=160, Y=85; gas nozzle screwed		1308
014.0470.1	COMBI swan neck A T 305/355K T8M cpl.; 45°; X=160, Y=85; gas nozzle screwed		1308
014.0471.1	COMBI swan neck A T 305/355K TM cpl.; 60°; X=165, Y=110; gas nozzle screwed		1308
014.0472.1	COMBI swan neck A T 305/355K T8M cpl.; 60°; X=165, Y=110; gas nozzle screwed		1308
014.0473.1	COMBI swan neck A T 305/355K TM cpl.; 45°; X=185; Y=95; gas nozzle screwed		1308
014.0474.1	COMBI swan neck A T 305/355K T8M cpl.; 45°; X=185, Y=95; gas nozzle screwed		1308
014.0475.1	COMBI swan neck A T 305XL TM cpl.; 45°; X=350; Y=95; gas nozzle screwed		1308
014.0476.1	COMBI swan neck A T 305XL T8M cpl.; 45°; X=350; Y=95; gas nozzle screwed		1308
014.0477.1	COMBI swan neck A T 305XXL TM cpl.; 45°; X=500; Y=95; gas nozzle screwed		1308
014.0478.1	COMBI swan neck A T 305XXL T8M cpl.; 45°; X=500; Y=95; gas nozzle screwed		1308
014.D745.5	Contact tip holder M16/M8/52 US	5 Pcs.	1533
014.D808	Swan neck ABIMIG® MT 355 T8M; 45° bent		1308
014.D812	Swan neck ABIMIG® MT 355 T8M; straight		1308
014.H129.5	Contact tip holder D17/M8/53 for slip-on gas nozzle	5 Pcs.	1533
014.H194.5	Contact tip holder D17/M8/51 cpl.; for pluggable gas nozzle XX7	5 Pcs.	1533
014.H279.1	Coupling nut M22x1.5		1595
014.H281.10	Protection cap (split) D=14 for round-neck nut	10 Pcs.	1595
014.H282.10	Protective cab (split) D=16 for round-neck nut	10 Pcs.	1595
014.H283.10	Protective cab (split) D=18 for round-neck nut	10 Pcs.	1595
014.H354.1	Torch pipe connection M22x1.5 / M10x1		1595
014.H356.1	Swan neck ABIMIG® A 305 LW; 45° bent		1308
014.H363.1	Swan neck ABIMIG® A 355 LW; 45° bent		1308
014.H370.1	Swan neck ABIMIG® A T 305/355 T8M; 45°; X=185; Y=95		1308
014.H374.1	Swan neck ABIMIG® A T 305/355 TM; 45°; X=350; Y=95		1308
014.H380.1	Swan neck ABIMIG® A T 305/355 TM; 45°; X=500, Y=95		1308
014.H387.1	Swan neck ABIMIG® A T 307/357K TM; 45°; X=160, Y=85; gas nozzle mated		1308
014.H388.1	Swan neck ABIMIG® A T 307/357 TM; 45°; X=185, Y=95; gas nozzle mated		1308
014.H389.1	Swan neck ABIMIG® A T 307/357 T8M; 45°, X=185, Y=95; gas nozzle mated		1308
014.H390.1	ABIMIG® A T 355 LW; TM45°; central adaptor KZ-2; 3.00 m		1324
014.H391.1	ABIMIG® A T 355 LW; TM45°; central adaptor KZ-2; 4.00 m		1324
014.H392.1	ABIMIG® A T 355 LW; TM45°; central adaptor KZ-2; 5.00 m		1324
014.H398.1	Swan neck ABIMIG® A T 357 TM; 45°; X=500, Y=95; gas nozzle mated		1326
014.H399.1	Swan neck ABIMIG® A T 357 T8M; 45°; X=500; Y=95; gas nozzle mated		1326
014.H403.1	Swan neck ABIMIG® A T 305K TM; 45°, X=130; Y=85		1308
014.H409.1	Swan neck ABIMIG® A T 307K TM; 45°; X=135, Y=85; gas nozzle mated		1308
014.H413.1	Swan neck ABIMIG® A T 305/355 TM; 60°; X=165, Y=110		1308
014.H415.1	Swan neck ABIMIG® A T 305/355 T8M; 60°, X=165; Y=110		1308
014.H544.1	ABIMIG® A T G 355 LW; central adaptor KZ-2; 3.00 m		1326
014.H545.1	ABIMIG® A T G 355 LW; central adaptor KZ-2; 4.00 m		1326
014.H546.1	ABIMIG® A T G 355 LW; central adaptor KZ-2; 5.00 m		1326
014.H555.1	Swan neck ABIMIG® A T 355 T8M; 45°; X=350, Y=95		1308
014.H560.1	Swan neck ABIMIG® A T 355 T8M; 45°; X=500, Y=95		1308
014.H583.1	Swan neck ABIMIG® A T 305K T8M; 45°; X=135, Y=75		1308
014.H587.1	Swan neck ABIMIG® A T 307K T8M; 45; X=135, Y=85; gas nozzle mated		1308
014.H588.1	Swan neck ABIMIG® A T 305/355K T8M; 45°; X=0160, Y=85		1308
014.H592.1	Swan neck ABIMIG® A T 307/357K T8M; 45°; X=160, Y=85; gas nozzle mated		1308
014.H594.1	Swan neck ABIMIG® A T 307/357K TM; 45°; X=165, Y=110; gas nozzle mated		1308
014.H595.1	Swan neck ABIMIG® A T 307/357 T8M; 60°; X=165; Y=110; gas nozzle mated		1308
014.H596.1	Swan neck ABIMIG® A T 307/357K T8M; 45°; X=165, Y=110; gas nozzle mated		1308

# Spare Parts List (numeric)

Part-No.	Description	Units	Product-group
014.H597.1	Swan neck ABIMIG® A T 357 T8M; 45°; X=360, Y=95; gas nozzle mated		1308
015.0088.1	COMBI swan neck A T 405 K T8M cpl.; 45°; X=185; Y=95; gas nozzle screwed		1308
015.0089.1	COMBI swan neck A T 405 T8M cpl.; 45°; X=210; Y=95; gas nozzle screwed		1308
015.D070.1	ABIMIG® A T 405 LW; T8M45°; central adaptor KZ-2; 3.00 m		1324
015.D071.1	ABIMIG® A T 405 LW; T8M45°; central adaptor KZ-2; 4.00 m		1324
015.D072.1	ABIMIG® A T 405 LW; T8M45°; central adaptor KZ-2; 5.00 m		1324
015.D080.5	Head insulation	5 Pcs.	1595
015.D081.5	Spacer	5 Pcs.	1595
015.D082.1	Swan neck ABIMIG® A 405 LW; 45° bent		1308
015.D089.1	Swan neck ABIMIG® A T 407 T8M; 45°; X=210; Y=95; gas nozzle mated		1308
015.D114.1	ABIMIG® A T G 405 LW; central adaptor KZ-2; 3.00 m		1326
015.D115.1	ABIMIG® A T G 405 LW; central adaptor KZ-2; 4.00 m		1326
015.D116.1	ABIMIG® A T G 405 LW; central adaptor KZ-2; 5.00 m		1326
015.D117.1	Swan neck ABIMIG® A T 405K T8M; 45°; X=185; Y=95; gas nozzle screwed		1308
015.D123.1	Swan neck ABIMIG® A T 405K T8M; 45°; X=195; Y=95; gas nozzle mated		1308
016.D225	Swan neck ABIMIG® MT 455 T8M; 45° bent		1308
016.D250	Swan neck ABIMIG® MT 455 T8M; straight		1508
016.D392.1	Torch pipe connection M22x1.5 / M14x1		1595
018.0001	Swan neck MB 26 KD; 50° bent		1014
018.0062	MB 26 KD; ERGO; central adaptor KZ-2; 3.00 m		1015
018.0063	MB 26 KD; ERGO; central adaptor KZ-2; 4.00 m		1015
018.0064	MB 26 KD; ERGO; central adaptor KZ-2; 5.00 m		1015
018.0116	Gas diffuser, white	10 Pcs.	1032
018.0141	Gas diffuser, ceramic	10 Pcs.	1032
018.0146	MB 26 KD GRIP; central adaptor KZ-2; 3.00 m		1016
018.0147	MB 26 KD GRIP; central adaptor KZ-2; 4.00 m		1016
018.0148	MB 26 KD GRIP; central adaptor KZ-2; 5.00 m		1016
018.0191.1	COMBI swan neck A T 305 T8 FLEX cpl.; X=260; gas nozzle screwed		1308
018.D801	Swan neck ABIMIG® A T 305 T8 FLEX; X=260		1308
018.D960.1	ABIMIG® A T 305 LW; TM45°; central adaptor KZ-2; 3.00 m		1324
018.D961.1	ABIMIG® A T 305 LW; TM45°; central adaptor KZ-2; 4.00 m		1324
018.D962.1	ABIMIG® A T 305 LW; TM45°; central adaptor KZ-2; 5.00 m		1324
018.D978.1	ABIMIG® A T G 305 LW; central adaptor KZ-2; 3.00 m		1326
018.D979.1	ABIMIG® A T G 305 LW; central adaptor KZ-2; 4.00 m		1326
018.D980.1	ABIMIG® A T G 305 LW; central adaptor KZ-2; 5.00 m		1326
023.0001	Swan neck MB 240 D; 50° bent		1009
023.0077	MB 240 D; ERGO; central adaptor WZ-2; 3.00 m		1017
023.0078	MB 240 D; ERGO; central adaptor WZ-2; 4.00 m		1017
023.0079	MB 240 D; ERGO; central adaptor WZ-2; 5.00 m		1017
023.0225	MB 240 D GRIP; central adaptor WZ-2; 3.00 m		1018
023.0226	MB 240 D GRIP; central adaptor WZ-2; 4.00 m		1018
023.0227	MB 240 D GRIP; central adaptor WZ-2; 5.00 m		1018
023.0228	Swan neck MB GRIP 240 D; 50° bent		1009
024.0030	Outer cover		1095
030.0001	Swan neck MB 401; 50° bent		1009
030.0019	Insulator	20 Pcs.	1095
030.0037	Gas diffuser, long life	10 Pcs.	1032
030.0125	MB 401; ERGO; central adaptor WZ-2; 3.00 m		1017
030.0126	MB 401; ERGO; central adaptor WZ-2; 4.00 m		1017
030.0127	MB 401; ERGO; central adaptor WZ-2; 5.00 m		1017

## Spare Parts List (numeric)

Part-No.	Description	Units	Product-group
030.0145	Gas diffuser, white	10 Pcs.	1032
030.0190	Gas diffuser, ceramic	10 Pcs.	1032
030.0205	MB 401 GRIP; central adaptor WZ-2; 3.00 m		1018
030.0206	MB 401 GRIP; central adaptor WZ-2; 4.00 m		1018
030.0207	MB 401 GRIP; central adaptor WZ-2; 5.00 m		1018
030.0208	Swan neck MB GRIP 401; 50° bent		1009
032.0002	Swan neck MB 501; 50° bent		1009
032.0145	MB 501; ERGO; central adaptor WZ-2; 3.00 m		1017
032.0146	MB 501; ERGO; central adaptor WZ-2; 4.00 m		1017
032.0147	MB 501; ERGO; central adaptor WZ-2; 5.00 m		1017
032.0231	MB 501 GRIP; central adaptor WZ-2; 3.00 m		1018
032.0232	MB 501 GRIP; central adaptor WZ-2; 4.00 m		1018
032.0233	MB 501 GRIP; central adaptor WZ-2; 5.00 m		1018
032.0234	Swan neck MB GRIP 501; 50° bent		1009
033.0001	Swan neck MB 401 D; 50° bent		1009
033.0107	MB 401 D; ERGO; central adaptor WZ-2; 3.00 m		1017
033.0108	MB 401 D; ERGO; central adaptor WZ-2; 4.00 m		1017
033.0109	MB 401 D; ERGO; central adaptor WZ-2; 5.00 m		1017
033.0271	MB 401 D GRIP; central adaptor WZ-2; 3.00 m		1018
033.0272	MB 401 D GRIP; central adaptor WZ-2; 4.00 m		1018
033.0273	MB 401 D GRIP; central adaptor WZ-2; 5.00 m		1018
033.0277	Swan neck MB GRIP 401 D; 50° bent		1009
034.0001	Swan neck MB 501 D; 50° bent		1009
034.0160	MB 501 D; ERGO; central adaptor WZ-2; 3.00 m		1017
034.0161	MB 501 D; ERGO; central adaptor WZ-2; 4.00 m		1017
034.0162	MB 501 D; ERGO; central adaptor WZ-2; 5.00 m		1017
034.0492	MB 501 D GRIP; central adaptor WZ-2; 3.00 m		1018
034.0493	MB 501 D GRIP; central adaptor WZ-2; 4.00 m		1018
034.0494	MB 501 D GRIP; central adaptor WZ-2; 5.00 m		1018
034.0496	Swan neck MB GRIP 501 D; 50° bent		1009
035.0001	Swan neck RB 610 D; 35° bent		1009
035.0002	Swan neck RB 610 D; straight		1009
035.0025	RB 610 D; industrial handle; central adaptor RWZ-2; 4.00 m		1002
035.0032	RP 610 D; handle pistole-type; central adaptor RWZ-2; 3.00 m		1002
035.0034	RP 610 D; handle pistole-type; central adaptor RWZ-2; 4.00 m		1002
035.0037	RB 610 D; industrial handle; central adaptor RWZ-2; 3.00 m		1002
039.0001	Swan neck MB 602; 50° bent		1009
039.0008	Gas diffuser	10 Pcs.	1032
039.0023	MB 602; industrial handle; central adaptor WZ-2; 3.00 m		1002
039.0025	MB 602; industrial handle; central adaptor WZ-2; 4.00 m		1002
039.0037	MB 602; industrial handle; central adaptor WZ-2; 5.00 m		1002
039.0090	Gas diffuser, ceramic	10 Pcs.	1032
079.0003	Sheet metal screw 2.9x6.5	20 Pcs.	9010
080.0009	Printed circuit board for 42 V motor		1095
085.0016	Potentiometerhousing cpl.		1095
085.0017	Handle cpl. incl. mounting screws and extension material		1095
085.0018	Pressure trigger cpl.		1095
085.0019	Torch adaptor cpl.		1095
085.0029	Wear parts set gasket rings		1095
085.0040	Cable assembly cpl. 8.00 m with 7-pol. control leads without central adaptor GZ-2		1095

# Spare Parts List (numeric)

Part-No.	Description	Units	Product-group
085.0041	Potentiometer knob cpl.		1095
085.0042	Pressure roll		1095
085.0043	Pressure button cpl.		1095
085.0102.1	Gear motor 24 V DC		1095
085.0103.1	Gear motor 40 V DC		1095
085.0104.1	Push-Pull Plus 36 D; straight; 40 V motor; central adaptor GZ-2; 8.00 m		1029
085.0105.1	Push-Pull Plus 36 D; 45° bent; 40 V motor; central adaptor GZ-2; 8.00 m		1029
085.0106.1	Push-Pull Plus 36 D; straight; 40 V motor; poti 10 k-Ohm, central adaptor GZ-2; 8.00 m		1029
085.0107.1	Push-Pull Plus 36 D; 45° bent; 40 V motor; poti 10 k-Ohm, central adaptor GZ-2; 8.00 m		1029
085.0113.5	Knurled screw M4	5 Pcs.	1095
085.0116.1	Swan neck Push-Pull Plus 36 D; straight		1014
085.0117.1	Swan neck Push-Pull Plus 36 D; 45° bent		1014
095.0001	Wear parts set gasket rings		1095
095.0002	Swan neck PP Plus 401 D; straight		1009
095.0009	Cover cpl.		1095
095.0015	Swan neck PP Plus 401 D; 45° bent		1009
095.0031	Cable assembly cpl. 8.00 m with 7-pol. control leads without central adaptor GZ-2		1095
095.0032	Torch adaptor cpl.		1095
095.0040.1	Swan neck Push-Pull Plus 240 D; straight		1009
095.0052.1	Swan neck Push-Pull Plus 240 D; 45° bent		1009
095.0064.1	Wire feed roll ST / AL 0.8 / 0.8 mm		1095
095.0065.1	Wire feed roll ST / AL 1.0 / 1.0 mm		1095
095.0066.1	Wire feed roll ST / AL 1.2 / 1.2 mm		1095
095.0067.1	Wire drive roll 1.6/1.6 PP Plus / universal / D-form		1095
095.0072.1	Cover cpl.		1095
095.0100.1	Push-Pull Plus 401 D; straight; 40 V motor; central adaptor WZ-2; 8.00 m		1029
095.0101.1	Push-Pull Plus 401 D; 45° bent; 40 V motor; central adaptor WZ-2; 8.00 m		1029
095.0110.1	Push-Pull Plus 240 D; straight; 40 V motor; central adaptor WZ-2; 8.00 m		1029
095.0111.1	Push-Pull Plus 240 D; 45° bent; 40 V motor; central adaptor WZ-2; 8.00 m		1029
095.0114.1	Push-Pull Plus 401 D; straight; 40 V motor; poti 10 k-Ohm, central adaptor WZ-2; 8.00 m		1029
095.0115.1	Push-Pull Plus 401 D; 45° bent; 40 V motor; poti 10 k-Ohm, central adaptor WZ-2; 8.00 m		1029
095.0119.1	Push-Pull Plus 240 D; straight; 40 V motor; poti 10 k-Ohm, central adaptor WZ-2; 8.00 m		1029
095.0120.1	Push-Pull Plus 240 D; 45° bent; 40 V motor; poti 10 k-Ohm, central adaptor WZ-2; 8.00 m		1029
100.0019	Control cable 2-pole	200 m	4050
100.0034	Control lead 7-pole; 0,34 qmm (100 m)	100 m	4050
101.0054	Control lead cpl. 4-pole (0.4 m)		1095
103.0108	Hose 46 black Ø 5.5x1.5 cpl. with plug nipple ND 5; 0.6 m		1095
103.0114	Hose 46 red Ø 5.5x1.5 cpl. with plug nipple ND 5; 0.6 m		1095
105.0005	Outer cover rubber Ø 20x1.5	40 m	4050
107.0004	Outer cover fabric Ø 25x1.5	40 m	4050
107.0044	Outer cover with cable support Ø 25x1.5 for 4.00 m		1095
107.0055	Outer cover Ø 28x1.5	40 m	4050
107.0079	Outer cover with cable support Ø 25x1.5 for 3.00 m		1095
107.0080	Outer cover with cable support Ø 25x1.5 for 5.00 m		1095
107.0091	Fabrics hose 28x1.5 mm (40 m)	40 m	4050
109.0040	Hose 30 black Ø 4.9x1.5	100 m	4050
109.0043	Hose 33 black LW 32 R	30 m	4050
109.0044	Hose 34 black LW 38 R	30 m	4050
109.0052	Hose 42 RBH black; Ø 5.5x1.5	40 m	4050
109.0056	Hose 46 red Ø 5.5x1.5	100 m	4050

## Spare Parts List (numeric)

Part-No.	Description	Units	Product-group
109.0057	Hose 47 blue Ø 5.5x1.5	100 m	4050
110.0053.10	Protective tube NW 9.9	10 Pcs.	1095
110.D023	Protective tube 4.5x0.5, L=60 mm		1595
115.0043	Power cable Push Pull (PVC) for 8.00 m		1012
115.0065	Power cable MB ERGO / MB GRIP / ABIMIG® (RBH) for 3.00 m		1012
115.0070	Power cable MB ERGO / MB GRIP / ABIMIG® (RBH) for 4.00 m		1012
115.0074	Power cable MB ERGO / MB GRIP / ABIMIG® (RBH) for 5.00 m		1012
115.0404	Power cable MB / RB (RBH) for 3.00 m		1012
115.0405	Power cable MB / RB (RBH) for 4.00 m		1012
115.0406	Power cable MB / RB (RBH) for 5.00 m		1012
115.0581	Power cable ABIMIG® GRIP / RAB GRIP (PVC) for 3.00 m		1012
115.0582	Power cable ABIMIG® GRIP / RAB GRIP (PVC) for 4.00 m		1012
115.0583	Power cable ABIMIG® GRIP / RAB GRIP (PVC) for 5.00 m		1012
118.0074	Power cable cpl. Type 35		1012
122.0005	Guide spiral liner blank; 1.5/4.0; for wire Ø 0.8; for 3.00 m		1034
122.0007	Guide spiral liner blank; 1.5/4.0; for wire Ø 0.8; for 4.00 m		1034
122.0009	Guide spiral liner blank; 1.5/4.0; for wire Ø 0.8; for 5.00 m		1034
122.0031	Guide spiral liner blank; 2.0/4.5; for wire Ø 1.0-1.2; for 3.00 m		1034
122.0036	Guide spiral liner blank; 2.0/4.5; for wire Ø 1.0-1.2; for 4.00 m		1034
122.0039	Guide spiral liner blank; 2.0/4.5; for wire Ø 1.0-1.2; for 5.00 m		1034
122.0040	Guide spiral liner blank; 2.0/4.5; for wire Ø 0.8-1.2; for 8.00 m		1034
122.0056	Guide spiral liner blank; 2.5/4.5; for wire Ø 1.6; for 3.00 m		1034
122.0060	Guide spiral liner blank; 2.5/4.5; for wire Ø 1.6; for 4.00 m		1034
122.0063	Guide spiral liner blank; 2.5/4.5; for wire Ø 1.6; for 5.00 m		1034
122.0065	Guide spiral liner blank; 2.5/4.5; for wire Ø 1.4-1.6; for 8.00 m		1034
122.0066	Guide spiral liner blank; Ø 2.8/6.3 mm; for 3.00 m		1034
122.0067	Guide spiral liner blank; Ø 2.8/6.3 mm; for 4.00 m		1034
122.0073	Guide spiral liner blank 3.5/4.9; for wire Ø 2.0-2.4; for 3.00 m		1034
122.0075	Guide spiral liner blank 3.5/4.9; for wire Ø 2.0-2.4; for 4.00 m		1034
122.0076	Guide spiral liner blank 3.5/4.9; for wire Ø 2.0-2.4; for 5.00 m		1034
122.0079	Guide spiral liner blank; Ø 3.5/7.0 mm; for 3.00 m		1034
122.0080	Guide spiral liner blank; Ø 3.5/7.0 mm; for 4.00 m		1034
122.0083	Guide spiral liner blank; Ø 4.5/7.0 mm; for 3.00 m		1034
122.0084	Guide spiral liner blank; Ø 4.5/7.0 mm; for 4.00 m		1034
122.D037	Neck liner 1.5; for wire Ø 0.6-1.0; for ABIMIG® T-Line		1534
122.D038	Neck liner 2.0; for wire Ø 1.0-1.2; for ABIMIG® T-Line		1534
122.D039	Neck liner 2.5; for wire Ø 1.2-1.4; for ABIMIG® T-Line		1534
122.D040	Neck liner 1.6; brass; for wire Ø 0.6-1.0; for ABIMIG® T-Line		1534
122.D041	Neck liner 2.2; brass; for wire Ø 1.0-1.4; for ABIMIG® T-Line		1534
122.D045	Neck liner 2.7; for wire Ø 1.2-1.6; for ABIMIG® T-Line		1534
122.D077	Neck liner 1.9; for wire Ø 1.0-1.2; for ABIMIG® T-Line		1534
122.D078	Neck liner 2.2; for wire Ø 1.4-1.6; for ABIMIG® T-Line		1534
124.0011	Guide spiral liner insulated; 1.5/4.5; blue; for wire Ø 0.6-0.8; for 3.00 m		1034
124.0012	Guide spiral liner insulated; 1.5/4.5; blue; for wire Ø 0.6-0.8; for 4.00 m		1034
124.0015	Guide spiral liner insulated; 1.5/4.5; blue; for wire Ø 0.6-0.8; for 5.00 m		1034
124.0016	Guide spiral liner insulated; 1.5/4.5; blue; wire-Ø 0.6-0.8; for 6.00 m		1034
124.0026	Guide spiral liner insulated; 2.0/4.5; red; for wire Ø 1.0-1.2; for 3.00 m		1034
124.0031	Guide spiral liner insulated; 2.0/4.5; red; for wire Ø 1.0-1.2; for 4.00 m		1034
124.0035	Guide spiral liner insulated; 2.0/4.5; red; for wire Ø 1.0-1.2; for 5.00 m		1034
124.0036	Guide spiral liner insulated; 2.0/4.5; red; wire-Ø 1.0-1.2; for 6.00 m		1034

# Spare Parts List (numeric)

Part-No.	Description	Units	Product-group
124.0041	Guide spiral liner insulated; 2.5/4.5; yellow; for wire Ø 1.4-1.6; for 3.00 m		1034
124.0042	Guide spiral liner insulated; 2.5/4.5; yellow; for wire Ø 1.4-1.6; for 4.00 m		1034
124.0044	Guide spiral liner insulated; 2.5/4.5; yellow; for wire Ø 1.4-1.6; for 5.00 m		1034
124.0045	Guide spiral liner insulated; 2.5/4.5; yellow; wire Ø 1.4-1.6; for 6.00 m		1034
124.0111	Guide spiral liner insulated; 2.0/4.5; red; for wire Ø 1.0-1.2; for 3.00 m		1334
124.0112	Guide spiral liner insulated; 2.0/4.5; red; for wire Ø 1.0-1.2; for 4.00 m		1334
124.0113	Guide spiral liner insulated; 2.0/4.5; red; for wire Ø 1.0-1.2; for 5.00 m		1334
124.0114	Guide spiral liner insulated; 2.5/4.5; yellow; for wire Ø 1.6; for 3.00 m		1334
124.0115	Guide spiral liner insulated; 2.5/4.5; yellow; for wire Ø 1.6; for 4.00 m		1334
124.0116	Guide spiral liner insulated; 2.5/4.5; yellow; for wire Ø 1.6; for 5.00 m		1334
124.0137	Guide spiral liner insulated; 1.5/4.0; blue; for wire Ø 0.8; for 3.00 m		1334
124.0138	Guide spiral liner insulated; 1.5/4.0; blue; for wire Ø 0.8; for 4.00 m		1334
124.0139	Guide spiral liner insulated; 1.5/4.0; blue; for wire Ø 0.8; for 5.00 m		1334
124.0169	Guide spiral liner insulated; 2.0/4.5; for wire Ø 0.8-1.2; for 8.00 m		1034
124.D113	Guide spiral liner insulated; 1.9/5.5; red; for wire Ø 1.0-1.2; for 3.00 m		1534
124.D114	Guide spiral liner insulated; 1.9/5.5; red; for wire Ø 1.0-1.2; for 4.00 m		1534
124.D115	Guide spiral liner insulated; 1.9/5.5; red; for wire Ø 1.0-1.2; for 5.00 m		1534
124.D116	Guide spiral liner insulated; 2.2/6.0; white; for wire Ø 1.4-1.6; for 3.00 m		1534
124.D117	Guide spiral liner insulated; 2.2/6.0; white; for wire Ø 1.4-1.6; for 4.00 m		1534
124.D118	Guide spiral liner insulated; 2.2/6.0; white; for wire Ø 1.4-1.6; for 5.00 m		1534
124.D119	Guide spiral liner insulated; 3.0/6.4; blue; for wire Ø 2.0-2.4; for 3.00 m		1534
124.D120	Guide spiral liner insulated; 3.0/6.4; blue; for wire Ø 2.0-2.4; for 4.00 m		1534
124.D121	Guide spiral liner insulated; 3.0/6.4; blue; for wire Ø 2.0-2.4; for 5.00 m		1534
124.D144.1	Guide spiral liner insulated; 2.2/6.0; white; wire Ø 1.4-1.6; for 6.00 m		1534
124.D156.1	Guide spiral liner insulated; 2.0/5.5; red; wire Ø 1.0-1.2; for 6.00 m		1534
124.D157.1	Guide spiral liner insulated; 3.0/6.4; blue; wire Ø 2.0-2.4; for 6.00 m		1534
125.D001.1	PTFE carbon core liner 2.0/4.0; wire-Ø 1.0-1.2; L=350 mm		1534
126.0005	PTFE core liner 1.5/4.0; blue; wire electrode Ø 0.8-1.0; for 3.00 m		1034
126.0008	PTFE core liner 1.5/4.0; blue; wire electrode Ø 0.8-1.0; for 4.00 m		1034
126.0011	PTFE core liner 1.5/4.0; blue; wire electrode Ø 0.8-1.0; for 5.00 m		1034
126.0013	PTFE core liner 1.5/4.0; blue; wire electrode Ø 0.6-1.0; for 8.00 m		1034
126.0021	PTFE core liner 2.0/4.0; red; wire electrode Ø 1.0-1.2; for 3.00 m		1034
126.0026	PTFE core liner 2.0/4.0; red; wire electrode Ø 1.0-1.2; for 4.00 m		1034
126.0028	PTFE core liner 2.0/4.0; red; wire electrode Ø 1.0-1.2; for 5.00 m		1034
126.0030	PTFE core liner 2.0/4.0; red; wire electrode Ø 0.8-1.2; for 8.00 m		1034
126.0039	PTFE core liner 2.7/4.7; yellow; wire electrode Ø 1.6; for 3.00 m		1034
126.0042	PTFE core liner 2.7/4.7; yellow; wire electrode Ø 1.6; for 4.00 m		1034
126.0045	PTFE core liner 2.7/4.7; yellow; wire electrode Ø 1.6; for 5.00 m		1034
126.0047	PTFE core liner 2.7/4.7; yellow; wire electrode Ø 1.4-1.6; for 8.00 m		1034
126.0069	Plastic core liner; 2.0; petrol; for wire Ø 1.0-1.2; for 3.00 m		1334
126.0070	Plastic core liner; 2.0; petrol; for wire Ø 1.0-1.2; for 4.00 m		1334
126.0071	Plastic core liner; 2.0; petrol; for wire Ø 1.0-1.2; for 5.00 m		1334
126.0072	Plastic core liner; 2.4; petrol; for wire Ø 1.6; for 3.00 m		1334
126.0073	Plastic core liner; 2.4; petrol; for wire Ø 1.6; for 4.00 m		1334
126.0074	Plastic core liner; 2.4; petrol; for wire Ø 1.6; for 5.00 m		1334
126.D026.1	Combined wire guide cpl.P; wire Ø 1.0; for 3.00 m		1534
126.D027.1	Combined wire guide cpl.P; wire Ø 1.0; for 4.00 m		1534
126.D028.1	Combined wire guide cpl.P; wire Ø 1.0; for 5.00 m		1534
126.D029.1	Combined wire guide cpl.P; wire Ø 1.2-1.4; for 3.00 m		1534
126.D030.1	Combined wire guide cpl.P; wire Ø 1.2-1.4; for 4.00 m		1534

## Spare Parts List (numeric)

Part-No.	Description	Units	Product-group
126.D031.1	Combined wire guide cpl.P; wire Ø 1.2-1.4; for 5.00 m		1534
126.D058.1	Combined wire guide P; wire-Ø 1.0-1.2; for 6.00 m		1534
127.0002	PTFE carbon core liner 1.5/4.0; wire electrode Ø 0.8-1.0; for 3.00 m		1034
127.0003	PTFE carbon core liner 1.5/4.0; wire electrode Ø 0.8-1.0; for 4.00 m		1034
127.0004	PTFE carbon core liner 1.5/4.0; wire electrode Ø 0.8-1.0; for 5.00 m		1034
127.0005	PTFE carbon core liner 2.0/4.0; wire electrode Ø 1.0-1.2; for 3.00 m		1034
127.0007	PTFE carbon core liner 2.0/4.0; wire electrode Ø 1.0-1.2; for 4.00 m		1034
127.0008	PTFE carbon core liner 2.0/4.0; wire electrode Ø 1.0-1.2; for 5.00 m		1034
127.0009	PTFE carbon core liner 2.0/4.0; wire electrode Ø 0.8-1.2; for 8.00 m		1034
127.0010	PTFE carbon core liner 2.7/4.7; wire electrode Ø 1.6; for 3.00 m		1034
127.0012	PTFE carbon core liner 2.7/4.7; wire electrode Ø 1.6; for 4.00 m		1034
127.0013	PTFE carbon core liner 2.7/4.7; wire electrode Ø 1.6; for 5.00 m		1034
127.0014	PTFE carbon core liner 2.7/4.7; wire electrode Ø 1.4-1.6; for 8.00 m		1034
127.0015	PTFE carbon core liner 1.5/4.0; wire electrode Ø 0.6-1.0; for 8.00 m		1034
128.0019	Polyamid core liner 2.0/4.0; wire electrode Ø 0.8-1.2; for 8.00 m		1034
128.0023	Polyamid core liner 2.3/4.7; wire electrode Ø 1.4-1.6; for 8.00 m		1034
128.M002	Combined wire guide cpl. polyamide/brass; wire Ø 1.0-1.2; for 3.00 m		1034
128.M003	Combined wire guide cpl. polyamide/brass; wire Ø 1.0-1.2; for 4.00 m		1034
128.M004	Combined wire guide cpl. polyamide/brass; wire Ø 1.0-1.2; for 5.00 m		1034
129.0107	Capillary tube for wire Ø 1.0 mm (Ø = 1.5x 5.0 mm / length = 1000 mm)		1095
129.0164	Capillary tube for wire Ø 1.0 mm (Ø = 1.5x 5.0 mm / length = 200 mm)	5 Pcs.	1095
129.0187	Capillary tube for wire Ø 1.0 mm (Ø = 1.5x 5.0 mm / length = 300 mm)	10 Pcs.	1095
129.0189	Capillary tube for wire Ø 1.0 mm (Ø = 1.5x 5.0 mm / length = 500 mm)	10 Pcs.	1095
129.0227	Capillary tube for wire Ø 1.6 mm (Ø = 2.0x 5.0 mm / length = 1000 mm)	5 Pcs.	1095
129.0313	Capillary tube for wire Ø 1.6 mm (Ø = 2.0x 5.0 mm / length = 200 mm)	10 Pcs.	1095
129.0357	Capillary tube for wire Ø 1.6 mm (Ø = 2.0x 5.0 mm / length = 300 mm)	5 Pcs.	1095
129.0361	Capillary tube for wire Ø 1.6 mm (Ø = 2.0x 5.0 mm / length = 500 mm)	10 Pcs.	1095
129.0366	Capillary tube for wire Ø 2.0 mm and 2.4 mm (Ø = 3.0x 5.0 / length = 1000 mm)	5 Pcs.	1095
129.0395	Capillary tube for wire Ø 2.0 mm and 2.4 mm (Ø = 3.0x 5.0 / length = 200 mm)	5 Pcs.	1095
129.0411	Capillary tube for wire Ø 2.0 mm and 2.4 mm (Ø = 3.0x 5.0 / length = 300 mm)	5 Pcs.	1095
129.0412	Capillary tube for wire Ø 2.0 mm and 2.4 mm (Ø = 3.0x 5.0 / length = 500 mm)	5 Pcs.	1095
129.0426	Guide tube for core liners up to Ø 4.0 (1000 mm)	5 Pcs.	1095
129.0461	Guide tube for core liners up to Ø 4.0 (200 mm)	10 Pcs.	1095
129.0471	Guide tube for core liners up to Ø 4.0 (300 mm)	5 Pcs.	1095
129.0473	Guide tube for core liners up to Ø 4.0 (500 mm)	5 Pcs.	1095
131.0001	Nipple for core liner at Ø 4.0	20 Pcs.	1095
131.0002	Nipple for core liner at Ø 4.7	20 Pcs.	1095
140.0008	Contact tip M6 E-Cu; Ø 0.6 (6x25)	10 Pcs.	1030
140.0051	Contact tip M6 E-Cu; Ø 0.8 (8x28)	10 Pcs.	1030
140.0054	Contact tip M6 CuCrZr; Ø 0.8 (8x28)	10 Pcs.	1031
140.0059	Contact tip M6 E-Cu; Ø 0.8 (6x25)	10 Pcs.	1030
140.0062	Contact tip M6 CuCrZr; Ø 0.8 (6x25)	10 Pcs.	1031
140.0114	Contact tip M8 E-Cu; Ø 0.8 (10x30)	10 Pcs.	1030
140.0117	Contact tip M8 CuCrZr; Ø 0.8 (10x30)	10 Pcs.	1031
140.0242	Contact tip M6 E-Cu; Ø 1.0 (8x28)	10 Pcs.	1030
140.0245	Contact tip M6 CuCrZr; Ø 1.0 (8x28)	10 Pcs.	1031
140.0253	Contact tip M6 E-Cu; Ø 1.0 (6x25)	10 Pcs.	1030
140.0256	Contact tip M6 CuCrZr; Ø 1.0 (6x25)	10 Pcs.	1031
140.0313	Contact tip M8 E-Cu; Ø 1.0 (10x30)	10 Pcs.	1030
140.0316	Contact tip M8 CuCrZr; Ø 1.0 (10x30)	10 Pcs.	1031



## Spare Parts List (numeric)

Part-No.	Description	Units	Product-group
140.0348	Contact tip M10 CuCrZr; Ø 1.0 (12x35)	10 Pcs.	1031
140.0379	Contact tip M6 E-Cu; Ø 1.2 (8x28)	10 Pcs.	1030
140.0382	Contact tip M6 CuCrZr; Ø 1.2 (8x28)	10 Pcs.	1031
140.0387	Contact tip M6 E-Cu; Ø 1.2 (6x25)	10 Pcs.	1030
140.0390	Contact tip M6 CuCrZr; Ø 1.2 (6x25)	10 Pcs.	1031
140.0442	Contact tip M8 E-Cu; Ø 1.2 (10x30)	10 Pcs.	1030
140.0445	Contact tip M8 CuCrZr; Ø 1.2 (10x30)	10 Pcs.	1031
140.0481	Contact tip M10 CuCrZr; Ø 1.2 (12x35)	10 Pcs.	1031
140.0516	Contact tip M6 E-Cu; Ø 1.4 (8x28)	10 Pcs.	1030
140.0519	Contact tip M6 CuCrZr; Ø 1.4 (8x28)	10 Pcs.	1031
140.0533	Contact tip M8 E-Cu; Ø 1.4 (10x30)	10 Pcs.	1030
140.0536	Contact tip M8 CuCrZr; Ø 1.4 (10x30)	10 Pcs.	1031
140.0555	Contact tip M6 E-Cu; Ø 1.6 (8x28)	10 Pcs.	1030
140.0558	Contact tip M6 CuCrZr; Ø 1.6 (8x28)	10 Pcs.	1031
140.0587	Contact tip M8 E-Cu; Ø 1.6 (10x30)	10 Pcs.	1030
140.0590	Contact tip M8 CuCrZr; Ø 1.6 (10x30)	10 Pcs.	1031
140.0616	Contact tip M10 CuCrZr; Ø 1.6 (12x35)	10 Pcs.	1031
140.0653	Contact tip M8 E-Cu; Ø 2.0 (10x30)	10 Pcs.	1030
140.0656	Contact tip M8 CuCrZr; Ø 2.0 (10x30)	10 Pcs.	1031
140.0665	Contact tip M10 CuCrZr; Ø 2.0 (12x35)	10 Pcs.	1031
140.0677	Contact tip M8 E-Cu; Ø 2.4 (10x30)	10 Pcs.	1030
140.0679	Contact tip M8 CuCrZr; Ø 2.4 (10x30)	10 Pcs.	1031
140.0698	Contact tip M10 CuCrZr; Ø 2.4 (12x35)	10 Pcs.	1031
140.0712	Contact tip M10 CuCrZr; Ø 2.8 (12x35)	10 Pcs.	1031
140.0734	Contact tip M10 CuCrZr; Ø 3.2 (12x35)	10 Pcs.	1031
140.0855	Contact tip M6 CuCrZr; Ø 0.6 (6x25)	10 Pcs.	1031
140.1312	Contact tip CuCrZr; Ø 1.0 (9.9x38)	10 Pcs.	1031
140.1313	Contact tip CuCrZr; Ø 1.2 (9.9x38)	10 Pcs.	1031
140.1315	Contact tip CuCrZr; Ø 1.6 (9.9x38)	10 Pcs.	1031
140.1318	Contact tip CuCrZr; Ø 1.0 (9.9x32)	10 Pcs.	1031
140.1319	Contact tip CuCrZr; Ø 1.2 (9.9x32)	10 Pcs.	1031
140.1321	Contact tip CuCrZr; Ø 1.6 (9.9x32)	10 Pcs.	1031
140.1542.10	Contact tip M10 E-Cu; Ø 1.0 (12x35)	10 Pcs.	1030
140.1543.10	Contact tip M10 E-Cu; Ø 1.2 (12x35)	10 Pcs.	1030
140.1544.10	Contact tip M10 E-Cu; Ø 1.6 (12x35)	10 Pcs.	1030
141.0001	Contact tip M6 E-Cu; Ø 0.8 for alu wire (8x28)	10 Pcs.	1030
141.0002	Contact tip M6 E-Cu; Ø 0.8 for alu wire (6x25)	10 Pcs.	1030
141.0003	Contact tip M8 E-Cu; Ø 0.8 for alu wire (10x30)	10 Pcs.	1030
141.0006	Contact tip M6 E-Cu; Ø 1.0 for alu wire (8x28)	10 Pcs.	1030
141.0007	Contact tip M6 E-Cu; Ø 1.0 for alu wire (6x25)	10 Pcs.	1030
141.0008	Contact tip M8 E-Cu; Ø 1.0 for alu wire (10x30)	10 Pcs.	1030
141.0010	Contact tip M6 E-Cu; Ø 1.2 for alu wire (8x28)	10 Pcs.	1030
141.0011	Contact tip M6 E-Cu; Ø 1.2 for alu wire (6x25)	10 Pcs.	1030
141.0015	Contact tip M8 E-Cu; Ø 1.2 for alu wire (10x30)	10 Pcs.	1030
141.0020	Contact tip M6 E-Cu; Ø 1.6 for alu wire (8x28)	10 Pcs.	1030
141.0022	Contact tip M8 E-Cu; Ø 1.6 for alu wire (10x30)	10 Pcs.	1030
141.0033	Contact tip M8 E-Cu; Ø 2.0 for alu wire (10x30)	10 Pcs.	1030
141.0035	Contact tip M8 E-Cu; Ø 2.4 for alu wire (10x30)	10 Pcs.	1030
141.0055	Contact tip M8 E-Cu; Ø 1.4 for alu wire (10x30)	10 Pcs.	1030
142.0001	Contact tip holder M6; 35.0 mm	10 Pcs.	1033

## Spare Parts List (numeric)

Part-No.	Description	Units	Product-group
142.0003	Contact tip holder M6; 26.0 mm	10 Pcs.	1033
142.0005	Contact tip holder M6; 28.0 mm (short)	10 Pcs.	1033
142.0007	Contact tip holder M6; 22.0 mm (short)	10 Pcs.	1033
142.0008	Contact tip holder M6; 25.0 mm (short)	10 Pcs.	1033
142.0010	Contact tip holder M6; 28.0 mm	10 Pcs.	1033
142.0011	Contact tip holder M6; 32.0 mm (long)	10 Pcs.	1033
142.0012	Contact tip holder M6; 25.0 mm (long)	10 Pcs.	1033
142.0013	Contact tip holder M6; 29.0 mm (long)	10 Pcs.	1033
142.0020	Contact tip holder M8; 28.0 mm (short)	10 Pcs.	1033
142.0022	Contact tip holder M8; 25.0 mm (short)	10 Pcs.	1033
142.0023	Contact tip holder M8; 24.0 mm	10 Pcs.	1033
142.0024	Contact tip holder M8; 34.0 mm (long)	10 Pcs.	1033
142.0026	Contact tip holder M8; 25.0 mm (long)	10 Pcs.	1033
142.0027	Contact tip holder M8; 29.0 mm (long)	10 Pcs.	1033
142.0032	Contact tip holder M10; 40.0 mm	10 Pcs.	1033
142.0082	Contact tip holder M8; 22.0 mm (short)	10 Pcs.	1033
142.0201.10	Contact tip holder M8; 27.0 mm; CuCrZr	10 Pcs.	1033
142.0202.10	Contact tip holder M10; 29.0 mm; CuCrZr	10 Pcs.	1033
145.0041	Gas nozzle; cylindrical; ND Ø 16.0	10 Pcs.	1036
145.0042	Gas nozzle; cylindrical; ND Ø 18.0	10 Pcs.	1036
145.0045	Gas nozzle; cylindrical; ND Ø 19.0	10 Pcs.	1037
145.0047	Gas nozzle; cylindrical; ND Ø 17.0	10 Pcs.	1036
145.0048	Gas nozzle; cylindrical; ND Ø 23.0	10 Pcs.	1037
145.0051	Gas nozzle; cylindrical; ND Ø 20.0	10 Pcs.	1037
145.0052	Gas nozzle; cylindrical; ND Ø 21.0	10 Pcs.	1037
145.0061	Gas nozzle; cylindrical with extended insulation; ND Ø 18.0	10 Pcs.	1036
145.0062	Gas nozzle; cylindrical; heavy duty; ND Ø 17.0	10 Pcs.	1036
145.0067	Gas nozzle; cylindrical with extended insulation; ND Ø 16.0	10 Pcs.	1036
145.0072	Gas nozzle; cylindrical; heavy duty; ND Ø 15.0	10 Pcs.	1036
145.0075	Gas nozzle; conical; ND Ø 12.0	10 Pcs.	1036
145.0076	Gas nozzle; conical; ND Ø 15.0	10 Pcs.	1036
145.0078	Gas nozzle; conical; ND Ø 16.0	10 Pcs.	1037
145.0080	Gas nozzle; conical; ND Ø 12.5	10 Pcs.	1036
145.0081	Gas nozzle; conical; ND Ø 20.0	10 Pcs.	1037
145.0085	Gas nozzle; conical; ND Ø 16.0	10 Pcs.	1037
145.0086	Gas nozzle; heavy duty; ND Ø 16.0 (only use with nozzle insulator)	10 Pcs.	1037
145.0088	Gas nozzle; conical; ND Ø 18.0	10 Pcs.	1037
145.0100	Gas nozzle; conical; with extended insulation; ND Ø 15.0	10 Pcs.	1036
145.0101	Gas nozzle; conical; heavy duty; ND Ø 12.5	10 Pcs.	1036
145.0107	Gas nozzle; conical; with extended insulation; ND Ø 12.0	10 Pcs.	1036
145.0116	Gas nozzle; conical; heavy duty; ND Ø 11.0	10 Pcs.	1036
145.0123	Gas nozzle; tapered; ND Ø 9.5	10 Pcs.	1036
145.0124	Gas nozzle; tapered; ND Ø 11.5	10 Pcs.	1036
145.0126	Gas nozzle; tapered; ND Ø 12.0	10 Pcs.	1037
145.0128	Gas nozzle; tapered; ND Ø 10.0	10 Pcs.	1036
145.0132	Gas nozzle; tapered; ND Ø 14.0	10 Pcs.	1037
145.0133	Gas nozzle; tapered; ND Ø 15.5	10 Pcs.	1037
145.0168	Spot weld gas nozzle; ND Ø 16.0	10 Pcs.	1036
145.0169	Spot weld gas nozzle; ND Ø 18.0	10 Pcs.	1036
145.0172	Spot weld gas nozzle; ND Ø 20.0	10 Pcs.	1037

## Spare Parts List (numeric)

Part-No.	Description	Units	Product-group
145.0174	Spot weld gas nozzle; ND Ø 17.0	10 Pcs.	1036
145.0179	Spot weld gas nozzle; ND Ø 20.0	10 Pcs.	1037
145.0180	Spot weld gas nozzle; ND Ø 21.0	10 Pcs.	1037
145.0186	Spot weld gas nozzle for pin-welding; ND Ø 16.0	10 Pcs.	1036
145.0432	Gas nozzle; tapered, with extended insulation; ND Ø 13.0	10 Pcs.	1036
145.0669	Gas nozzle; conical; ND Ø 17.0	10 Pcs.	1337
145.0678.10	Gas nozzle; cylindrical; ND Ø 20.0	10 Pcs.	1337
145.D001	Gas nozzle M12; ND 12; galvanized; conical L=52 mm	5 Pcs.	1536
145.D002	Gas nozzle M12; NW 10; galvanized; conical L=50 mm	5 Pcs.	1536
145.D003	Gas nozzle M12; ND 17; galvanized; cylindrical L=52 mm	5 Pcs.	1536
145.D004	Gas nozzle M12; ND 12; galvanized; conical L=54 mm	5 Pcs.	1536
145.D006	Gas nozzle M12; NW 10; galvanized; conical L=52 mm	5 Pcs.	1536
145.D009	Spot weld gas nozzle M12; NW 17; galvanized; L=67 mm	5 Pcs.	1536
145.D011	Gas nozzle M14; ND 16; galvanized	5 Pcs.	1536
145.D012	Gas nozzle M14; ND 14; galvanized; conical L=67 mm	5 Pcs.	1536
145.D013	Gas nozzle M14; NW 12; galvanized; conical L=67 mm	5 Pcs.	1536
145.D014	Gas nozzle M14; ND 18 galvanized; cylindrical L=67 mm	5 Pcs.	1536
145.D015	Gas nozzle M14; NW 12; galvanized; conical L=70 mm	5 Pcs.	1536
145.D016	Gas nozzle M14; NW 14; galvanized; conical L=70 mm	5 Pcs.	1536
145.D019	Spot weld gas nozzle M14; NW 18; galvanized; L=87 mm; with extended insulation	5 Pcs.	1536
145.D021	Gas nozzle M16; ND 18; galvanized; conical L=72 mm	5 Pcs.	1537
145.D022	Gas nozzle M16; ND 16 galvanized; conical L=69 mm	5 Pcs.	1537
145.D023	Gas nozzle M16; NW 14; galvanized; conical L=69 mm	5 Pcs.	1537
145.D024	Gas nozzle M16; ND 21 galvanized; cylindrical	5 Pcs.	1537
145.D025	Gas nozzle M16; NW 12; galvanized; conical L=72 mm	5 Pcs.	1537
145.D026	Gas nozzle M16; NW 16; galvanized; conical L=72 mm	5 Pcs.	1537
145.D028	Spot weld gas nozzle M16; NW 21; galvanized; L=91 mm		1537
145.D036	Gas nozzle M16; NW 18; galvanized; conical L=72 mm	5 Pcs.	1537
145.D190	Gas nozzle M14; NW 16; blank; conical L=70 mm	5 Pcs.	1536
145.D194	Gas nozzle M16; ND 18 blank; with extended insulation	5 Pcs.	1537
145.D195	Gas nozzle M14; ND 16 blank; with extended insulation	5 Pcs.	1536
145.D205	Gas nozzle M12; ND 12 blank; conical with extended insulation L=52 mm	5 Pcs.	1536
145.D217	Gas nozzle M16; ND 15 blank; with extended insulation	5 Pcs.	1537
145.D267	Gas nozzle M16; NW 10; galvanized; conical L=69 mm	5 Pcs.	1537
145.D268	Gas nozzle M14; NW 10; galvanized; conical L=67 mm	5 Pcs.	1537
145.D353	Gas nozzle M16; NW 21; galvanized; cylindrical L=72 mm; with extended insulation	5 Pcs.	1537
145.D375.5	Gas nozzle (slip-on) D15; ND 16 galvanized	5 Pcs.	1537
145.D378.5	Gas nozzle (slip-on) D15; ND 16 galvanized	5 Pcs.	1537
145.D438.5	Gas nozzle pluggable D17; NW 13; galvanized; conical L=72 mm; with extended insulation	5 Pcs.	1537
145.D439.5	Gas nozzle pluggable D17; NW 18; galvanized; conical L=72 mm; with extended insulation	5 Pcs.	1537
145.D451.5	Gas nozzle pluggable D15; NW 12 galvanized; conical L=70 mm; with extended insulation	5 Pcs.	1537
145.D452.5	Gas nozzle pluggable D15; NW 14; galvanized; conical L=70 mm; with extended insulation	5 Pcs.	1537
146.0013	Nozzle insulator	10 Pcs.	1032
147.0054	Contact tip M6 CuCrZr silver-plated; Ø 0.8 (8x28)	10 Pcs.	1031
147.0062	Contact tip M6 CuCrZr silver-plated; Ø 0.8 (6x25)	10 Pcs.	1031
147.0117	Contact tip M8 CuCrZr silver-plated; Ø 0.8 (10x30)	10 Pcs.	1031
147.0245	Contact tip M6 CuCrZr silver-plated; Ø 1.0 (8x28)	10 Pcs.	1031
147.0256	Contact tip M6 CuCrZr silver-plated; Ø 1.0 (6x25)	10 Pcs.	1031
147.0316	Contact tip M8 CuCrZr silver-plated; Ø 1.0 (10x30)	10 Pcs.	1031
147.0382	Contact tip M6 CuCrZr silver-plated; Ø 1.2 (8x28)	10 Pcs.	1031

## Spare Parts List (numeric)

Part-No.	Description	Units	Product-group
147.0390	Contact tip M6 CuCrZr silver-plated; Ø 1.2 (6x25)	10 Pcs.	1031
147.0445	Contact tip M8 CuCrZr silver-plated; Ø 1.2 (10x30)	10 Pcs.	1031
147.0481	Contact tip M10 CuCrZr silver-plated; Ø 1.2 (12x35)	10 Pcs.	1031
147.0536	Contact tip M8 CuCrZr silver-plated; Ø 1.4 (10x30)	10 Pcs.	1031
147.0590	Contact tip M8 CuCrZr silver-plated; Ø 1.6 (10x30)	10 Pcs.	1031
147.0616	Contact tip M10 CuCrZr silver-plated; Ø 1.6 (12x35)	10 Pcs.	1031
147.0656	Contact tip M8 CuCrZr silver-plated; Ø 2.0 (10x30)	10 Pcs.	1031
147.0679	Contact tip M8 CuCrZr silver-plated; Ø 2.4 (10x30)	10 Pcs.	1031
147.5172.10	Contact tip M6 HDS silver-plated; Ø 0.9 (8x28)	10 Pcs.	5038
147.5245	Contact tip M6 HDS silver-plated; Ø 1.0 (8x28)	10 Pcs.	5038
147.5316	Contact tip M8 HDS silver-plated; Ø 1.0 (10x30)	10 Pcs.	5038
147.5382	Contact tip M6 HDS silver-plated; Ø 1.2 (8x28)	10 Pcs.	5038
147.5445	Contact tip M8 HDS silver-plated; Ø 1.2 (10x30)	10 Pcs.	5038
147.5536	Contact tip M8 HDS silver-plated; Ø 1.4 (10x30)	10 Pcs.	5038
147.5590	Contact tip M8 HDS silver-plated; Ø 1.6 (10x30)	10 Pcs.	5038
149.0260.3	Neckliner for wire Ø 0.8–1.0 mm (length=145 mm)	3 Pcs.	1034
149.0261.3	Neckliner for wire Ø 1.2–1.6 mm (length=145 mm)	3 Pcs.	1034
149.0262.3	Neckliner for wire Ø 0.8–1.0 mm (length=197 mm)	3 Pcs.	1034
149.0263.3	Neckliner for wire Ø 1.2–1.6 mm (length=197 mm)	3 Pcs.	1034
149.0264.3	Neckliner for wire Ø 0.8–1.0 mm (length=134 mm)	3 Pcs.	1034
149.0265.3	Neckliner for wire Ø 1.2–1.6 mm (length=134 mm)	3 Pcs.	1034
149.0266.3	Neckliner for wire Ø 0.8–1.0 mm (length=194 mm)	3 Pcs.	1034
149.0267.3	Neckliner for wire Ø 1.2–1.6 mm (length=194 mm)	3 Pcs.	1034
151.0010	Wire conduit RB cpl. black for 3.00 m		1012
151.0011	Wire conduit RB cpl. black for 4.00 m		1012
154.0002	Wire conduit RAB GRIP cpl. For 5.00 m		1012
154.0003	Wire conduit RAB GRIP cpl. For 3.00 m		1012
154.0004	Wire conduit RAB GRIP cpl. For 4.00 m		1012
155.0008	Wire conduit MB ERGO / ABIMIG® cpl. blue (wire Ø 1.6 onwards) for 3.00 m		1012
155.0009	Wire conduit MB ERGO / ABIMIG® cpl. blue (wire Ø 1.6 onwards) for 4.00 m		1012
155.0010	Wire conduit MB ERGO / ABIMIG® cpl. blue (wire Ø 1.6 onwards) for 5.00 m		1012
155.0018	Wire conduit MB cpl. blue (wire Ø 1.6 onwards) for 3.00 m		1012
155.0020	Wire conduit MB cpl. blue (wire Ø 1.6 onwards) for 4.00 m		1012
155.0022	Wire conduit MB cpl. blue (wire Ø 1.6 onwards) for 5.00 m		1012
156.0019	Wire conduit MB ERGO / ABIMIG® cpl. red (up to wire Ø 1.2) for 3.00 m		1012
156.0023	Wire conduit MB ERGO / ABIMIG® cpl. red (up to wire Ø 1.2) for 4.00 m		1012
156.0026	Wire conduit MB ERGO / ABIMIG® cpl. red (up to wire Ø 1.2) for 5.00 m		1012
156.0040	Wire conduit MB cpl. red (up to wire Ø 1.2) for 3.00 m		1012
156.0042	Wire conduit MB cpl. red (up to wire Ø 1.2) for 4.00 m		1012
156.0045	Wire conduit MB cpl. red (up to wire Ø 1.2) for 5.00 m		1012
156.0273	Wire conduit cpl. for 8.00 m		1012
156.0275	Wire conduit ABIMIG® GRIP / MB GRIP cpl. for 3.00 m		1012
156.0276	Wire conduit ABIMIG® GRIP / MB GRIP cpl. for 4.00 m		1012
156.0277	Wire conduit ABIMIG® GRIP / MB GRIP cpl. for 5.00 m		1012
160.0128	Bikox® power cable MB ERGO, B5 for 3.00 m		1011
160.0142	Bikox® power cable MB ERGO, B5 for 4.00 m		1011
160.0155	Bikox® power cable MB ERGO, B5 for 5.00 m		1011
160.0239	Bikox® power cable MB ERGO, B6 for 3.00 m		1011
160.0255	Bikox® power cable MB ERGO, B6 for 4.00 m		1011
160.0267	Bikox® power cable MB ERGO, B6 for 5.00 m		1011

## Spare Parts List (numeric)

Part-No.	Description	Units	Product-group
160.0364	Bikox® power cable MB ERGO, B7 for 3.00 m		1011
160.0379	Bikox® power cable MB ERGO, B7 for 4.00 m		1011
160.0391	Bikox® power cable MB ERGO, B7 for 5.00 m		1011
160.0549	Bikox® power cable RB, B10 for 3.00 m		1011
160.0560	Bikox® power cable RB, B10 for 4.00 m		1011
160.D427	Bikox® R-power cable MB GRIP / ABIMIG®, R5 for 3.00 m		1511
160.D428	Bikox® R-power cable MB GRIP / ABIMIG®, R5 for 4.00 m		1511
160.D429	Bikox® R-power cable MB GRIP / ABIMIG®, R5 for 5.00 m		1511
160.D430	Bikox® R-power cable MB GRIP / ABIMIG®, R6 for 3.00 m		1511
160.D431	Bikox® R-power cable MB GRIP / ABIMIG®, R6 for 4.00 m		1511
160.D432	Bikox® R-power cable MB GRIP / ABIMIG®, R6 for 5.00 m		1511
160.D434	Bikox® R-power cable MB GRIP / ABIMIG®, R7 for 3.00 m		1511
160.D435	Bikox® R-power cable MB GRIP / ABIMIG®, R7 for 4.00 m		1511
160.D436	Bikox® R-power cable MB GRIP / ABIMIG®, R7 for 5.00 m		1511
160.D520	Bikox® R-power cable MB GRIP / ABIMIG®, R4 for 3.00 m		1511
160.D521	Bikox® R-power cable MB GRIP / ABIMIG®, R4 for 4.00 m		1511
160.D522	Bikox® R-power cable MB GRIP / ABIMIG®, R4 for 5.00 m		1511
160.H025.1	Bikox® LW power cable, R4 for 3.00 m		1511
160.H026.1	Bikox® LW power cable, R4 for 4.00 m		1511
160.H027.1	Bikox® LW power cable, R4 for 5.00 m		1511
160.H032.1	Bikox® LW power cable, R5 for 3.00 m		1511
160.H033.1	Bikox® LW power cable, R5 for 4.00 m		1511
160.H034.1	Bikox® LW power cable, R5 for 5.00 m		1511
160.H039.1	Bikox® LW power cable, R6 for 3.00 m		1511
160.H040.1	Bikox® LW power cable, R6 for 4.00 m		1511
160.H041.1	Bikox® LW power cable, R6 for 5.00 m		1511
160.H046.1	Bikox® LW power cable, R7 for 3.00 m		1511
160.H047.1	Bikox® LW power cable, R7 for 4.00 m		1511
160.H048.1	Bikox® LW power cable, R7 for 5.00 m		1511
160.H053.1	Bikox® LW power cable, R9 for 3.00 m		1511
160.H054.1	Bikox® LW power cable, R9 for 4.00 m		1511
160.H055.1	Bikox® LW power cable, R9 for 5.00 m		1511
160.H242.1	Bikox® LW cable assembly, R5 2-pole for 4.50 m		1511
160.H248.1	Bikox® LW cable assembly; R7 2-pole for 4.50 m		1511
160.H344.1	Bikox® LW power cable, R9 for 3.00 m		1511
160.H345.1	Bikox® LW power cable, R9 for 4.00 m		1511
160.H346.1	Bikox® LW power cable, R9 for 5.00 m		1511
160.H347.1	Bikox® LW cable assembly, R9 5-pole Up/Down for 3.00 m		1511
160.H348.1	Bikox® LW cable assembly, R9 5-pole Up/Down for 4.00 m		1511
160.H349.1	Bikox® LW cable assembly, R9 5-pole Up/Down for 5.00 m		1511
160.H365.1	Bikox® LW cable assembly, R4 2-pole Up/Down for 3.00 m		1511
160.H366.1	Bikox® LW cable assembly, R4 2-pole Up/Down for 4.00 m		1511
160.H367.1	Bikox® LW cable assembly, R4 2-pole Up/Down for 5.00 m		1511
160.H368.1	Bikox® LW cable assembly, R5 2-pole Up/Down for 3.00 m		1511
160.H369.1	Bikox® LW cable assembly, R5 2-pole Up/Down for 4.00 m		1511
160.H370.1	Bikox® LW cable assembly, R5 2-pole Up/Down for 5.00 m		1511
160.H371.1	Bikox® LW cable assembly, R6 5-pole Up/Down for 3.00 m		1511
160.H372.1	Bikox® LW cable assembly, R6 5-pole Up/Down for 4.00 m		1511
160.H373.1	Bikox® LW cable assembly, R6 5-pole Up/Down for 5.00 m		1511
160.H374.1	Bikox® LW cable assembly; R7 5-pol. Up/Down for 3.00 m		1511

## Spare Parts List (numeric)

Part-No.	Description	Units	Product-group
160.H375.1	Bikox® LW cable assembly; R7 5-pol. Up/Down for 4.00 m		1511
160.H376.1	Bikox® LW cable assembly; R7 5-pol. Up/Down for 5.00 m		1511
160.H377.1	Bikox® LW cable assembly; R9 2-pole for 4.50 m		1511
160.H378.1	Bikox® LW cable assembly, R6 2-pole for 4.50 m		1511
160.H380.1	Bikox® LW cable assembly, R4 2-pole for 4.50 m		1511
160.H397.1	Bikox® LW cable assembly; R7 2-pole for 6.00 m		1511
160.H430.1	Bikox® LW cable assembly, R4 2-pole for 6.00 m		1511
160.H431.1	Bikox® LW cable assembly, R4 2-pole Up/Downfor 4.50 m		1511
160.H432.1	Bikox® LW cable assembly, R4 2-pole Up/Down for 6.00 m		1511
160.H433.1	Bikox® LW cable assembly, R5 2-pole for 6.00 m		1511
160.H434.1	Bikox® LW cable assembly, R5 2-pole Up/Down for 4.50 m		1511
160.H435.1	Bikox® LW cable assembly, R5 2-pole Up/Down for 6.00 m		1511
160.H436.1	Bikox® LW cable assembly, R6 2-pole for 6.00 m		1511
160.H437.1	Bikox® LW cable assembly, R6 5-pole Up/Down for 4.50 m		1511
160.H438.1	Bikox® LW cable assembly, R6 5-pole Up/Down for 6.00 m		1511
160.H440.1	Bikox® LW cable assembly; R7 5-pol. Up/Down for 4.50 m		1511
160.H441.1	Bikox® LW cable assembly; R7 5-pol. Up/Down for 6.00 m		1511
160.H442.1	Bikox® LW cable assembly; R9 2-pole for 4.50 m		1511
160.H443.1	Bikox® LW cable assembly, R9 5-pole Up/Down for 4.50 m		1511
160.H444.1	Bikox® LW cable assembly, R9 5-pole Up/Down for 6.00 m		1511
165.0002	O-Ring 4x1	20 Pcs.	9010
165.0008	O-Ring 3.5x1.5	20 Pcs.	9010
165.0016	O-Ring 18x1.5	20 Pcs.	9010
171.0002	Hose clamp Ø 8.7 mm	100 Pcs.	9010
173.0001	Hose clamp Ø 9.0 mm with ring (mark 9.5)	100 Pcs.	9010
173.0002	Hose clamp Ø 9.5 mm with ring (mark 10.0)	100 Pcs.	9010
173.0005	Hose clamp Ø 8.2 mm with ring (mark 8.7)	100 Pcs.	9010
175.0003	Trigger wire connector; female	20 Pcs.	9010
175.0004	Plug	20 Pcs.	9010
175.0022	Trigger wire connector	20 Pcs.	9010
175.D098	Control cable with 4-pole Amphenol plug L=400 mm		1595
180.0014	Handle tube AUT		1095
180.0024	Handle pistol-type		1095
180.0029	Industrial handle blue cpl.		1095
180.0032	Industrial handle cpl.		1095
180.0076	ERGO handle with trigger cpl.		1095
180.0097	Handle tube AUT		1095
180.0111	Handle ABIMIG® with trigger cpl.		1395
180.0114	Handle tube MT		1395
180.0127	Handle GRIP with trigger cpl.		1095
180.0132.1	Handle GRIP type S with trigger cpl.		1395
180.0133.1	Handle GRIP type SH with trigger cpl. (without module)		1395
180.0134.1	Handle GRIP type TO with switch on top cpl.		1395
180.0138.1	Handle RAB GRIP Standard (feed air slide below)		1095
180.0144.1	Handle RAB GRIP ZO (feed air slide on top)		1095
180.0154.1	Handle RAB GRIP SH for module (feed air slide below)		1095
180.D077.1	Handle ABIMIG® A T with push-button long		1595
180.D078.1	Handle ABIMIG® A T with push-button short		1595
180.D079.1	Handle ABIMIG® A T with push-button long (without module BIS-52)		1595
180.D080.1	Handle ABIMIG® A Twith push-button short (without module BIS-52)		1595

# Spare Parts List (numeric)

Part-No.	Description	Units	Product-group
185.0005	Trigger 2-pole		9010
185.0031	Trigger 2-pole		9010
185.0100	Trigger 2-pole		1095
185.0101	Trigger 2-pole GRIP		9010
185.0107.5	Trigger 2-pole GRIP	5 Pcs.	1395
185.D118.1	Trigger long 2-pole		1595
185.D120.1	Trigger short 2-pole		1595
187.0075	Potentiometer (10.0 k-Ohm)		9010
187.0076	Potentiometer (5.5 k-Ohm)		9010
187.0078	Potentiometer (2.0 k-Ohm)		9010
187.0079	Potentiometer (20.0 k-Ohm)		9010
191.0001	Spanner Standard		9010
191.D045	Spanner for ABIMIG®		1595
400.0032	Trigger		1095
400.0036	Center blade screw	20 Pcs.	1095
400.0037	Pressure spring	20 Pcs.	1095
400.0038	Trigger blade center	20 Pcs.	1095
400.0044	Torch body plastic GRIP		1095
400.0049	Trigger blade	20 Pcs.	1095
400.0056	Pressure spring	20 Pcs.	1095
400.0095	Insert bush M4	10 Pcs.	1095
400.0097	Ring		1095
400.0114	Torch body brass		1095
400.0119	Insulating sleeve	20 Pcs.	1095
400.0137	Coupling nut M38x2		9010
400.0328	Biclip inside		9010
400.0329	Biclip outside		9010
400.0332	Biclip Set 25/28		9010
400.0790	Inner ring for ABIMIG® / ABIMIG® GRIP / MB GRIP (liquid cooled)		1095
400.0792	Cylinder head srew 4x10	20 Pcs.	1095
400.0949	Socket joint cpl.		1095
400.0956	Control module BIS-01L with potentiometer left 10 k-Ohm		1395
400.0957	Control module BIS-01R with potentiometer right 10 k-Ohm		1395
400.0958	Control module BIS-02 with potentiometer 10 k-Ohm LED for Migatronic®		1395
400.0959	Control module BIS-06 with push-button and 4 LED		1395
400.0961	Control module BIS-07B Up/Down 7-segment switch crosswise		1395
400.0963	Control module BIS-10A Up/Down switch lengthwise		1395
400.0964	Control module BIS-10B Up/Down switch crosswise		1395
400.0966	Control module BIS-13A Up/Down 2x switch lengthwise for EWM®		1395
400.1010	Cable support ND 19		1095
400.1011	Cable support ND 21		1095
400.1076	Torch body plastic ERGO		1095
400.1085	Control module BIS-10D Up/Down switch crosswise for Fronius®		1395
400.1088	Control module BIS-19 push-button 3-step		1395
400.1186	Cover cpl.		1095
400.1188	Cable support		1095
400.1247	Cable support fastening cpl.		1095
400.1292.1	Control module BIS-52 double push-button		2005
400.1296.1	Control module BIS-51 single push-button		2005
400.1323.1	Ball joint cable support short for ABIMIG® GRIP A		1095

## Spare Parts List (numeric)

Part-No.	Description	Units	Product-group
400.1333.1	Torch body		1095
400.1341.1	Adapter for handle GRIP type S, SH and TO		1395
400.1392.1	Ball joint cable protection MB GRIP / ABIMIG® GRIP W (liquid cooled)		1095
400.1395.1	Ball joint cable protection MB GRIP (air cooled)		1095
400.1452.10	Supply air slide RAB GRIP	10 Pcs.	9010
400.1496.10	Sealing cover	10 Pcs.	1095
400.1545.1	Control module BIS-18 Up/Down 2x push button for Cloos®		1395
400.1631.1	Supply air slide cpl. For RAB GRIP handle ZO		1095
400.D205	Cable support spring ND 21		1595
400.D501.1	Cable support spring NW 22		1595
400.D518.1	Cable support NW 21		1595
400.D561.2	Half rings (1 pair)	2 Pcs.	1595
400.D573.1	Blind cover		1595
400.D574.1	Cable support ABIMIG® A T LW (short)		1595
500.0085	Nut M14x1	10 Pcs.	9010
500.0213	Adaptor nut M33x2		9010
500.0225	Cable support spring ND 19		9010
500.0233	Cable support spring		9010
500.0235	Cable support spring		1095
500.0251	Screw cap 1	20 Pcs.	9010
500.0274	Cable support spring big ND 31		9010
500.0334	Hose guide		9010
500.0342	Connection housing large cpl. ND 31		9010
500.0375	Cable support spring ND 31		1095
500.0460	Powerfitting cpl. M14x1		1095
501.0003	Central adaptor KZ-2		1095
501.0015	Central adaptor WZ-2		9010
501.0018	Central adaptor GZ-2		1095
501.0028	Central adaptor KZ-2 without control leads		1095
501.0034	Central adaptor WZ-2 without control leads		9010
501.0054	Central adaptor RGZ-2		1095
501.0077	Central adaptor RWZ-2		1095
501.0078	Central adaptor RWZ-2 without control leads		9010
501.0082	Coupling nut M10x1	10 Pcs.	9010
501.0114	Plug nipple ND 5 mm / Ø 6.0 mm	20 Pcs.	9010
501.0129	Liner positioner nut M14x1	10 Pcs.	9010
501.0168	Brass body (gas axial)		1095
501.0169	Brass body (gas radial)		1095
501.0183	Socket with control leads 600 mm (white)		1095
501.0280	Power clamp		1095
501.0588	Insulating flange Ø 50 mm		1095
501.0602	Insulating flange Ø 120 mm		1095
501.0616	Insulation flange Ø 85 mm		1095
501.2020	Socket with control leads 600 mm (brown)		1095
501.2166	Code colour ring red	20 Pcs.	9010
501.2167	Code colour ring blue	20 Pcs.	9010
501.2190	Blank Ø 22 (200 mm)		1095
501.2191	Blank Ø 16 (100 mm)		1095
501.2192	Blank Ø 16 (170 mm)		1095
501.2193	Blank Ø 16 (250 mm)		1095



# Spare Parts List (numeric)

Part-No.	Description	Units	Product-group
501.2236	Connecting set machine side for ND 29		9010
501.2248	Cable support machine side		9010
501.2278	Cable support machine side		9010
501.2308	Insulating flange 60 mm, quadrangular		1095
501.2379	Connection housing		9010
501.2381	Insulating flange 85 mm, triangular		1095
501.2423	Fastener cap red	20 Pcs.	1095
501.2424	Fastener cap blue	20 Pcs.	1095
501.2591.1	Connection housing cpl. For RAB GRIP		1095
501.D342	Central adaptor RM 50 cpl.		1595
501.D501	Cable support spring NW 22		1595
501.D536.5	Coupling nut M10x1, plastic	5 Pcs.	1595
501.D537.5	Coupling nut M14x1, plastic	5 Pcs.	1595
501.D578.1	Connection housing machine side cpl.; for UNI-plug		1595
501.D687.1	Central adaptor KZ-2		1595
600.0080	Connection sleeve RAB GRIP 240 / 501		1095
600.2002	Outer neck		1095
600.2008	Connection sleeve RAB GRIP 15 / 24 / 25 / 36		1095
600.2028	Spring clip		1095
600.2037	Spring clip		1095
600.2044.1	Fume shroud with spring clip (type 36, 501)		1602
600.2045.1	Fume shroud with spring clip (type 24, 240)		1602
600.2046.1	Fume shroud with spring clip (type 25)		1602
600.2047.1	Fume shroud with spring clip (type 15)		1602
600.3005.1	Connector cpl. LW 32 for RAB GRIP		1095
600.3006.1	Connector cpl. LW 38 for RAB GRIP		1095
600.3007.1	Outer neck		1095
600.3009.1	Fume shroud with Quicklock (type 36, 501)		1602
600.3017.1	Fume shroud with Quicklock (type 15)		1602
600.3018.1	Fume shroud with Quicklock (type 24, 240)		1602
600.3019.1	Fume shroud with Quicklock (type 25)		1602
601.0001.1	Fume Extraction System FES-200 (230 V)		7020
601.0002.1	Fume Extraction System FES-200 (110 V)		7020
601.0005.1	Carbon brush 230 V		7021
601.0008.1	Filter cartridge FES-200, Ø = 150 x 325 mm		7021
601.0015.1	Hose with sleeves		7021
601.0017.1	Carbon brush 110 V		7021
601.0021.10	Plastic bag (without drawer)	10 Pcs.	7021
601.0023.1	Exhaust case FES-200		7021
601.0031.1	Adaptor ring FES-200 / RAB GRIP (50 / 44 mm)		7021
601.0041.1	Start/Stop probe, 4-pole		7021
601.0046.1	Adapter ring (connection for two hoses)		7021
601.0048.1	Filter cartridge FES-200 W3, Ø = 150 x 325 mm		7021
602.0040	Fume shroud (funnel)		1602
602.2002	Inner neck; 45° bent		1095
602.2003	Insulating part		1095
602.3001.1	RAB GRIP 15 AK; central adaptor KZ-2; 3.00 m		1620
602.3002.1	RAB GRIP 15 AK; central adaptor KZ-2; 4.00 m		1620
602.3003.1	RAB GRIP 15 AK; central adaptor KZ-2; 5.00 m		1620
602.3004.1	Swan neck RAB GRIP 15 AK; 45° bent		1007

## Spare Parts List (numeric)

Part-No.	Description	Units	Product-group
602.3008.1	RAB GRIP 15 AK Quicklock; central adaptor KZ-2; 3.00 m		1620
602.3009.1	RAB GRIP 15 AK Quicklock; central adaptor KZ-2; 4.00 m		1620
602.3010.1	RAB GRIP 15 AK Quicklock; central adaptor KZ-2; 5.00 m		1620
604.2001	Swan neck RAB GRIP 25 AK		1007
604.3001.1	RAB GRIP 25 AK; central adaptor KZ-2; 3.00 m		1620
604.3002.1	RAB GRIP 25 AK; central adaptor KZ-2; 4.00 m		1620
604.3003.1	RAB GRIP 25 AK; central adaptor KZ-2; 5.00 m		1620
604.3007.1	RAB GRIP 25 AK Quicklock; central adaptor KZ-2; 3.00 m		1620
604.3008.1	RAB GRIP 25 AK Quicklock; central adaptor KZ-2; 4.00 m		1620
604.3009.1	RAB GRIP 25 AK Quicklock; central adaptor KZ-2; 5.00 m		1620
612.0023	Fume shroud (funnel)		1602
612.2001	Swan neck RAB GRIP 24 KD		1007
612.3001.1	RAB GRIP 24 KD; central adaptor KZ-2; 3.00 m		1620
612.3002.1	RAB GRIP 24 KD; central adaptor KZ-2; 4.00 m		1620
612.3003.1	RAB GRIP 24 KD; central adaptor KZ-2; 5.00 m		1620
612.3007.1	RAB GRIP 24 KD Quicklock; central adaptor KZ-2; 3.00 m		1620
612.3008.1	RAB GRIP 24 KD Quicklock; central adaptor KZ-2; 4.00 m		1620
612.3009.1	RAB GRIP 24 KD Quicklock; central adaptor KZ-2; 5.00 m		1620
614.2001	Swan neck RAB Plus 36 KD		1014
614.3001.1	RAB GRIP 36 KD; central adaptor KZ-2; 3.00 m		1620
614.3002.1	RAB GRIP 36 KD; central adaptor KZ-2; 4.00 m		1620
614.3003.1	RAB GRIP 36 KD; central adaptor KZ-2; 5.00 m		1620
614.3007.1	RAB GRIP 36 KD Quicklock; central adaptor KZ-2; 3.00 m		1620
614.3008.1	RAB GRIP 36 KD Quicklock; central adaptor KZ-2; 4.00 m		1620
614.3009.1	RAB GRIP 36 KD Quicklock; central adaptor KZ-2; 5.00 m		1620
623.3001.1	Swan neck RAB GRIP 240 D; 45° bent		1009
623.3003.1	RAB GRIP 240 D; central adaptor WZ-2; 3.00 m		1620
623.3004.1	RAB GRIP 240 D; central adaptor WZ-2; 4.00 m		1620
623.3005.1	RAB GRIP 240 D; central adaptor WZ-2; 5.00 m		1620
623.3011.1	RAB GRIP 240 D Quicklock; central adaptor WZ-2; 3.00 m		1620
623.3012.1	RAB GRIP 240 D Quicklock; central adaptor WZ-2; 4.00 m		1620
623.3013.1	RAB GRIP 240 D Quicklock; central adaptor WZ-2; 5.00 m		1620
632.2009	Outer neck RAB 501		1095
632.3001.1	Swan neck RAB GRIP 501; 45° bent		1009
632.3003.1	RAB GRIP 501; central adaptor WZ-2; 3.00 m		1620
632.3004.1	RAB GRIP 501; central adaptor WZ-2; 4.00 m		1620
632.3005.1	RAB GRIP 501; central adaptor WZ-2; 5.00 m		1620
632.3015.1	RAB GRIP 501 Quicklock; central adaptor WZ-2; 3.00 m		1620
632.3016.1	RAB GRIP 501 Quicklock; central adaptor WZ-2; 4.00 m		1620
632.3017.1	RAB GRIP 501 Quicklock; central adaptor WZ-2; 5.00 m		1620
634.3001.1	Swan neck RAB GRIP 501 D; 45° bent		1009
634.3003.1	RAB GRIP 501 D; central adaptor WZ-2; 3.00 m		1620
634.3004.1	RAB GRIP 501 D; central adaptor WZ-2; 4.00 m		1620
634.3005.1	RAB GRIP 501 D; central adaptor WZ-2; 5.00 m		1620
634.3030.1	RAB GRIP 501 D Quicklock; central adaptor WZ-2; 3.00 m		1620
634.3031.1	RAB GRIP 501 D Quicklock; central adaptor WZ-2; 4.00 m		1620
634.3032.1	RAB GRIP 501 D Quicklock; central adaptor WZ-2; 5.00 m		1620
766.0230	Insulator	20 Pcs.	1395
766.0370	Swan neck ABIMIG® 645W; 50° bent		1309
766.0377	Cooling jacket cpl.		1395

## Spare Parts List (numeric)

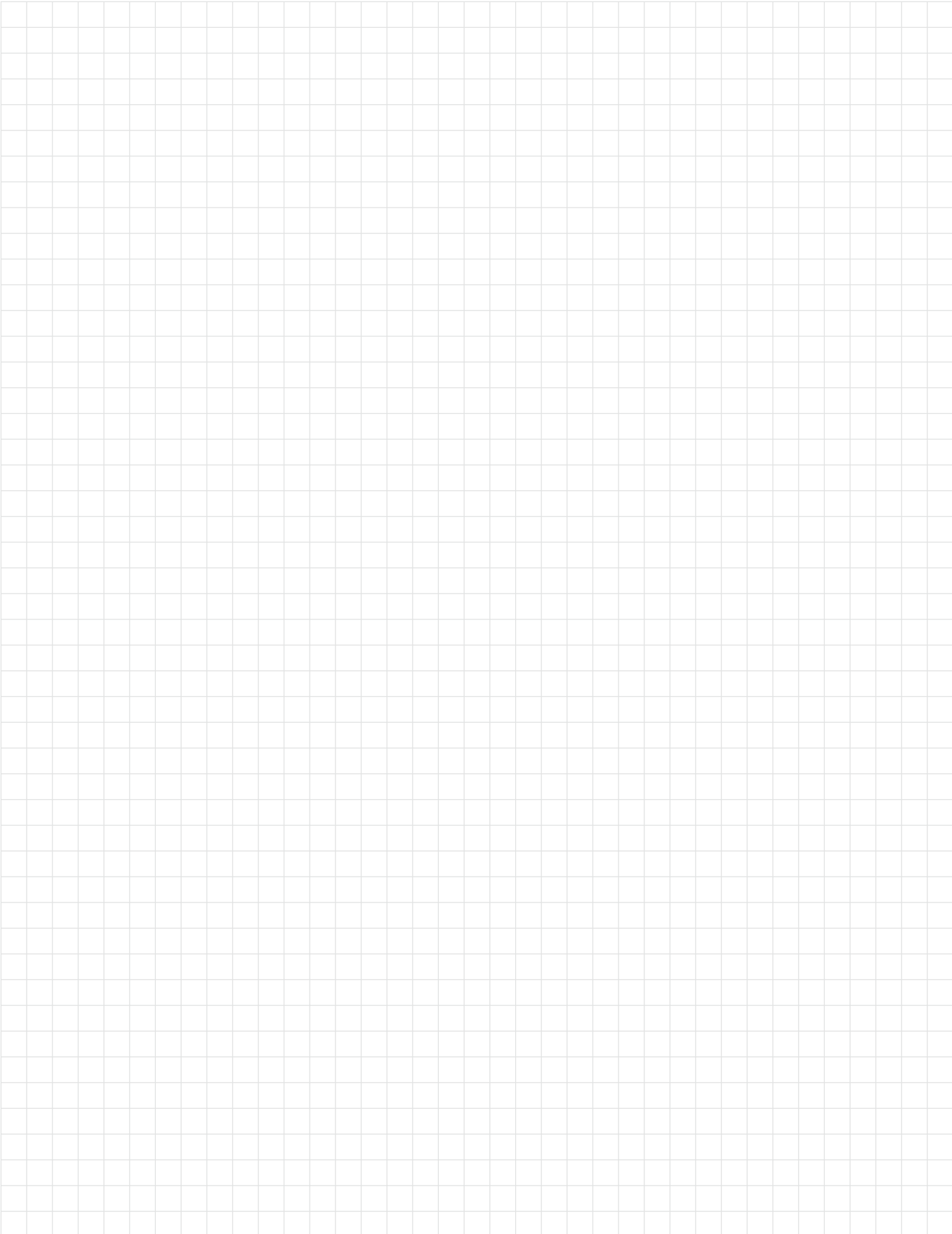
Part-No.	Description	Units	Product-group
766.0406	ABIMIG® 645 W; central adaptor WZ-2; 3.00 m (socket joint)		1346
766.0407	ABIMIG® 645 W; central adaptor WZ-2; 4.00 m (socket joint)		1346
766.0408	ABIMIG® 645 W; central adaptor WZ-2; 5.00 m (socket joint)		1346
766.0459	Swan neck ABIMIG® -MT 645W; straight		1352
766.0460	Swan neck ABIMIG® -MT 645W; 45° bent		1352
766.0501	Central adaptor WZ-2		1395
766.0518	Gas diffuser, long life	10 Pcs.	1332
766.0526.1	ABIMIG® GRIP W 555 D; type S; central adaptor WZ-2; 3.00 m		1317
766.0527.1	ABIMIG® GRIP W 555 D; type S; central adaptor WZ-2; 4.00 m		1317
766.0528.1	ABIMIG® GRIP W 555 D; type S; central adaptor WZ-2; 5.00 m		1317
766.0529.1	ABIMIG® GRIP W 555; type S; central adaptor WZ-2; 3.00 m		1317
766.0530.1	ABIMIG® GRIP W 555; type S; central adaptor WZ-2; 4.00 m		1317
766.0531.1	ABIMIG® GRIP W 555; type S; central adaptor WZ-2; 5.00 m		1317
766.0532.1	Swan neck ABIMIG® GRIP W 555 D; 50° bent		1309
766.0533.1	Swan neck ABIMIG® GRIP W 555; 50° bent		1309
766.0534.1	ABIMIG® GRIP W 605 D; type S; central adaptor WZ-2; 3.00 m		1317
766.0535.1	ABIMIG® GRIP W 605 D; type S; central adaptor WZ-2; 4.00 m		1317
766.0536.1	ABIMIG® GRIP W 605 D; type S; central adaptor WZ-2; 5.00 m		1317
766.0537.1	ABIMIG® GRIP W 605; type S; central adaptor WZ-2; 3.00 m		1317
766.0538.1	ABIMIG® GRIP W 605; type S; central adaptor WZ-2; 4.00 m		1317
766.0539.1	ABIMIG® GRIP W 605; type S; central adaptor WZ-2; 5.00 m		1317
766.0540.1	Swan neck ABIMIG® GRIP W 605 D; 50° bent		1309
766.0541.1	Swan neck ABIMIG® GRIP W 605; 50° bent		1309
766.0542.1	Swan neck ABIMIG® GRIP W 605 C; 50° bent		1309
766.0543.1	ABIMIG® GRIP W 605 C; type S; central adaptor WZ-2; 3.00 m		1317
766.0544.1	ABIMIG® GRIP W 605 C; type S; central adaptor WZ-2; 4.00 m		1317
766.0545.1	ABIMIG® GRIP W 605 C; type S; central adaptor WZ-2; 5.00 m		1317
766.0546.10	Gas diffuser, plastic	10 Pcs.	1332
766.0865.1	Swan neck ABIMIG® W 555 D MT; 0°		1352
766.0866.1	Swan neck ABIMIG® W 555 D MT; 22° bent		1352
766.0867.1	Swan neck ABIMIG® W 555 D MT; 45° bent		1352
766.0871.1	Swan neck ABIMIG® W 605 D MT; 0°		1352
766.0872.1	Swan neck ABIMIG® W 605 D MT; 22° bent		1352
766.0873.1	Swan neck ABIMIG® W 605 D MT; 45° bent		1352
766.0878.1	Swan neck ABIMIG® W 555 MT; 0°		1352
766.0879.1	Swan neck ABIMIG® W 555 MT; 22° bent		1352
766.0880.1	Swan neck ABIMIG® W 555 MT; 45° bent		1352
766.0883.1	Swan neck ABIMIG® W 605 MT; 0°		1352
766.0884.1	Swan neck ABIMIG® W 605 MT; 22° bent		1352
766.0885.1	Swan neck ABIMIG® W 605 MT; 45° bent		1352
766.1051	Collet body	10 Pcs.	1333
766.1070	Gas nozzle adaptor	10 Pcs.	1395
766.1074	Gas nozzle; conical; ND Ø 16.0	2 Pcs.	1337
766.1075	Gas nozzle; cylindrical; ND Ø 19.0	2 Pcs.	1337
766.1078	Gas diffuser, long life	10 Pcs.	1332
766.1095	Gas diffuser, white	10 Pcs.	1332
766.1135	Gas diffuser, ceramic	10 Pcs.	1332
767.D600.1	ABIMIG® GRIP A 155 LW; central adaptor KZ-2; 3.00 m		1318
767.D601.1	ABIMIG® GRIP A 155 LW; central adaptor KZ-2; 4.00 m		1318
767.D602.1	ABIMIG® GRIP A 155 LW; central adaptor KZ-2; 5.00 m		1318

## Spare Parts List (numeric)

Part-No.	Description	Units	Product-group
767.D603.1	Swan neck ABIMIG® GRIP A 155; 45° bent		1306
767.D607.5	Spacer	5 Pcs.	1595
767.D630.1	ABIMIG® GRIP A 255 LW; central adaptor KZ-2; 3.00 m		1318
767.D631.1	ABIMIG® GRIP A 255 LW; central adaptor KZ-2; 4.00 m		1318
767.D632.1	ABIMIG® GRIP A 255 LW; central adaptor KZ-2; 5.00 m		1318
767.D633.1	Swan neck ABIMIG® GRIP A 255; 45° bent		1306
767.D637.5	Spacer	5 Pcs.	1595
767.D660.1	ABIMIG® GRIP A 305 LW; central adaptor KZ-2; 3.00 m		1319
767.D661.1	ABIMIG® GRIP A 305 LW; central adaptor KZ-2; 4.00 m		1319
767.D662.1	ABIMIG® GRIP A 305 LW; central adaptor KZ-2; 5.00 m		1319
767.D663.1	Swan neck ABIMIG® GRIP A 305; 45° bent		1308
767.D668.5	Spacer	5 Pcs.	1595
767.D690.1	ABIMIG® GRIP A 355 LW; central adaptor KZ-2; 3.00 m		1319
767.D691.1	ABIMIG® GRIP A 355 LW; central adaptor KZ-2; 4.00 m		1319
767.D692.1	ABIMIG® GRIP A 355 LW; central adaptor KZ-2; 5.00 m		1319
767.D693.1	Swan neck ABIMIG® GRIP A 355; 45° bent		1308
767.D720.1	ABIMIG® GRIP A 405 LW; type S; central adaptor KZ-2; 3.00 m		1319
767.D721.1	ABIMIG® GRIP A 405 LW; type S; central adaptor KZ-2; 4.00 m		1319
767.D722.1	ABIMIG® GRIP A 405 LW; type S; central adaptor KZ-2; 5.00 m		1319
767.D723.1	Swan neck ABIMIG® GRIP A 405; 45° bent		1308
767.D729.5	Spacer	5 Pcs.	1595
767.D898.5	Spacer HD	5 Pcs.	1595
902.0004	Swan neck AUT 15 AK; 45° bent		1050
902.0007	Gas nozzle holder AUT 15 AK	10 Pcs.	1095
904.0003	Swan neck AUT 25 AK; straight		1050
904.0004	Swan neck AUT 25 AK; 45° bent		1050
912.0001	Swan neck AUT 24 KD; straight		1050
912.0002	Swan neck AUT 24 KD; 45° bent		1050
913.0001	Swan neck AUT 61 GD; straight		1051
913.0015	AUT 61 GD; 0°; handle tube; central adaptor RGZ-2; 3.00 m		1021
914.0001	Swan neck AUT 26/36; 45° bent		1051
914.0002	Swan neck AUT 26/36; straight		1051
923.0001	Swan neck AUT 240 D; straight		1052
923.0002	Swan neck AUT 240 D; 45° bent		1052
932.0001	Swan neck AUT 401/501; straight		1052
932.0002	Swan neck AUT 401/501; 45° bent		1052
934.0001	Swan neck AUT 401 D/501 D; straight		1052
934.0002	Swan neck AUT 401 D/501 D; 45° bent		1052
935.0001	Swan neck AUT 610 D; straight		1052
935.0010	AUT 610 D; 0°; handle tube; central adaptor RWZ-2; 3.00 m		1022
939.0062	Swan neck AUT 602; 45° bent		1052
939.0064	Swan neck AUT 602; straight		1052
939.0083	AUT 602; 0°; handle tube; central adaptor WZ-2; 3.00 m		1022
939.0086	AUT 602; 45°; handle tube; central adaptor WZ-2; 3.00 m		1022

# Notes





# Standard Terms and Conditions of Deliveries and Services (Verkaufsbedingungen) der Alexander Binzel Schweisstechnik GmbH & Co. KG

## § 1 Validity of the Terms and Conditions of Business

- 1.1** All our deliveries, services and tenders take place exclusively on the basis of these Standard Terms and Conditions of Deliveries and Services Payment (hereinafter called "these business conditions"). These business conditions are an element of all agreements that we conclude with our contractual partners (hereinafter called "customers").
- 1.2** The customer's Standard Terms and Conditions of Business do not apply, even if we do not contradict their validity in individual cases. Neither does reference to a letter that contains the customer's or a third party's Standard Terms and Conditions of Business, or refers to such, constitute an agreement with the validity of the aforesaid Standard Terms and Conditions of Business. They also do not become a contractual element through conclusive actions, such as the production of a performance by us.
- 1.3** The business conditions apply to all agreements on deliveries and services on our part, as well as all peripheral services. These business conditions are valid for all future deliveries and services on our part even without a separate agreement of inclusion.

## § 2 Tender and conclusion of the agreement

- 2.1** Insofar as our tenders are marked expressly as being subject to change, we can also revoke these immediately after receipt of acceptance by the customer.
- 2.2** The customer does not acquire any copyright to any tenders or cost estimates submitted by us, nor to any drawings, illustrations, calculations, descriptions, models, tools and other documents and material resources made available to him. This also applies to those materials and documents mentioned that are expressly labelled "confidential" or whose confidential character arises from the circumstances. The passing on of the abovementioned materials and documents to third parties requires at any rate our permission. The customer must ensure this by appropriate agreements with his employees or any other persons who work with knowledge and consent in his area of responsibilities. The abovementioned materials and documents must be returned immediately at the customer's expense, if an agreement does not come into being or they are no longer required for further contractual implementation.

## § 3 Prices

- 3.1** Unless otherwise stated in the order confirmation, our prices are valid "ex Works", excluding packaging; this will be charged separately.
- 3.2** Legal value-added tax is not included in our prices. It is shown separately in the invoice in the amount legally prescribed on the day of invoicing. In the case of foreign transactions, the value-added tax no longer applies; however, the recipient must pay the taxes and fees incurred for the transfer into the recipient's country, especially customs duties and the additional legal taxes or charges incurred in the recipient's country itself.
- 3.3** The deduction of a discount for cash requires a separate agreement. The customer's Standard Terms and Conditions of Business, which call for the deduction of a cash discount, do not apply.

## § 4 Implementation of the deliveries and services, delivery and service times

- 4.1** Unless otherwise agreed, the delivery takes place "ex Works".
- 4.2** The start of the delivery or service time stated by us presupposes the clarification of all technical issues.
- 4.3** Furthermore, the observance of our delivery and service obligations presupposes the customer's punctual and proper performance. We are fully entitled to the plea of non-performance.
- 4.4** If the person ordering is in default of taking delivery or infringes any other duties to cooperate, we are entitled to request replacement of any loss incurred by us in this respect, including any additional expenditure. More extensive claims remain unaffected.
- 4.5** Insofar as the conditions of § 4 (4) are met, the risk of accidental loss or unintentional deterioration of the object to be delivered passes to the customer at that point in time, when he has fallen into default of taking delivery.
- 4.6** If it has been agreed with the customer that our delivery or service does not have to take place at a fixed time, but within a certain period, we are entitled to deliver or produce our performance before the expiration of the period also. If a fixed date has been agreed with the customer, we are entitled to premature delivery or production of the performance, after having given the customer reasonable notice of this before delivery or production of the performance. This does not apply, if the delivery can only take place on the agreed date for reasons discernible for us.
- 4.7** Unless otherwise agreed, the customer, in the case of agreements that entitle him to request partial deliveries from a total quantity of goods, is obligated to give us punctual requests and assortment plans for approximate identical monthly quantities. If the customer does not request delivery punctually or does not plan in good time, we are entitled to take over the planning ourselves and to deliver the goods after a reasonable extended deadline has passed fruitlessly. If the customer fails to request delivery at all or in good time or fails to plan at all or in good time we are entitled to withdraw from the entire agreement after prior warning. Any compensation claims to which we are legally entitled remain at any rate unaffected.
- 4.8** With regard to order for goods to be delivered on demand according to § 4 (7) of these business conditions, we are entitled, unless otherwise agreed, to procure the material for the entire order and to manufacture the entire quantity ordered immediately. Requests from the customer for changes can no longer be taken into consideration after the order has been placed.
- 4.9** Increased or short deliveries are permissible in accordance with ordinary trade usage.

## § 5 Delays in delivery

- 5.1** Stoppages caused by force majeure, strikes for which we are not responsible or lock-outs or a lack of operating and/or raw materials entitle us, to withdraw from the not yet fulfilled agreement, if the abovementioned circumstances make delivery or performance impossible not only temporarily and in addition were not discernible on conclusion of the agreement.
- 5.2** If we are in delay with a delivery or service or if a delivery or service becomes impossible for us, the customer's claim for compensation is restricted subject to § 9 of these business conditions.

## § 6 Place of performance, shipment, packaging, passing of the risk

- 6.1** The place of performance for all obligations from the contractual relationship with the customer is Buseck/Alten-Buseck.
- 6.2** Unless otherwise agreed, we will select the most economical packaging known to us and the most economical type of shipment known to us.
- 6.3** Unless otherwise agreed, the risk passes to the customer at the latest with the handover of the delivered objects to the shipping contractor, carrier or other company appointed with the implementation of the consignment. § 4 (4) remains unaffected.
- 6.4** The shipment will only be insured by us against theft, breakage, damage during transport, fire and water damage or any other insurable risks at the express written request of the customer and at his expense.
- 6.5** We will only take back packaging in our storehouses (return depots). The customer pays the costs of transporting the packaging to the respective return depot. If packaging different from the standard packaging (special packaging) is used at the customer's request, the customer is obliged to recycle or dispose of this at his own expense.

## § 7 Customer's claims in case of defects or incomplete deliveries and services

- 7.1** The objects delivered by us must be carefully examined immediately after delivery to the customer or to the third party appointed by him. They are considered approved, if a complaint, that could have been discovered on careful examination, is not reported in writing within three days after receipt of the goods, the date of sending the complaint to us being decisive. If the defect was not noticeable by careful examination, the obligation to report the complaint immediately in writing is valid from the time of discovery.

- 7.2** If a delivery or service defect exists, for which we are responsible, we are obliged, at our option, to remedy the defect or deliver a replacement. In the case of remedying the defect, we are obliged to pay all costs required to remedy the defect, in particular transport, labour and material costs, unless these are increased by the fact that the purchased object was taken to a different location than the original place of consignment. This does not apply, if transporting the delivered object to another location corresponds to its agreed use. If we select subsequent performance in the form of replacement, the delivered objects with failures must be sent back to us carriage paid, whereby the customer is obliged to select the most economical type of shipment.

- 7.3** The limitation period for claims based on quality defects. The warranty period amounts to one year and begins with the time of delivery to the customer or to a third party appointed by the customer.

- 7.4** The delivery of used objects takes place excluding any warranty whatsoever.

## § 8 Purchase of consumer goods

- § 7 (3) does not apply, if the newly manufactured objects delivered by us are sold to consumers, also within the context of a chain of suppliers.

## § 9 Compensatory damages

- 9.1** We are only liable – regardless of for which legal reason – for the wilful and gross negligent conduct of our agencies and vicarious agents as well as – without regard to the degree of culpability – for damages from injury to life, body or health.
- 9.2** We are also responsible for slight negligence by our agencies and vicarious agents in the event of delay in performance or infringement of any other cardinal duty. In such a case our liability is restricted to damage that has to be reasonably expected when concluding such an agreement.
- 9.3** All limitations of liability also apply in the event that the infringement of contractual duties simultaneously represents an actionable tort.

## § 10 Reservation of ownership

- 10.1** We retain the right to ownership of the delivered object until all payments from the delivery agreement have been received. In the event of breach of contract by the customer, especially in the case of default of payment, we are entitled to take the delivered object back after a reasonable extended deadline has passed fruitlessly. Taking back the delivered object does not signify a withdrawal from the agreement, unless expressly declared by us in writing. The seizure of the delivered goods by us invariably represents a withdrawal from the agreement. After repossessing taking back the delivered goods, we are authorised to sell them; the proceeds from the sale will be deducted from the customer's liabilities – minus reasonable realisation costs.
- 10.2** The customer is obliged to keep the delivered objects in safe custody for us and to treat them with care.
- 10.3** In the event of seizures or any other third-party encroachments on our delivered objects, the customer must notify us immediately in writing so that we can take legal action according to § 771 Civil Procedure Rules (ZPO). If the third party is not in a position to refund us the legal and out-of-court costs of a lawsuit according to § 771 ZPO, the customer person ordering is liable for the loss incurred by us.
- 10.4** The customer is entitled to re-sell the delivered object in the normal course of business; however, he now already assigns us all demands amounting to the final invoice amount (including value-added tax) of our demand arising against his customers or third parties from the resale, regardless of whether the delivered object is re-sold with or without processing. The customer is also authorised to collect this demand after the assignment. Our authorisation to collect the demand ourselves remains unaffected by this. However, we agree not to collect the demand as long as the customer fulfils his payment obligations from the collected revenue, does not fall behind in his payments, and in particular no application for commencement of insolvency proceedings has been filed or there is a suspension of payments. However, if this is the case, we can request that the customer informs us of the assigned demands and their debtor immediately, gives us all details necessary for their collection, hands over the relevant documentation and notifies the debtor (third party) of the assignment immediately and informs us thereof by means of a copy/accompanying letter.
- 10.5** The processing or transformation of the delivered objects by the customer will always be carried out on our behalf by us. If the delivered object is processed with other objects that do not belong to us, we acquire co-ownership of the new object in the ratio of the value of the delivered object (final invoice amount including value-added tax) to the other processed objects at the time of processing. The same provisions apply otherwise for the object created by the aforesaid processing as for the object delivered with reservations.
- 10.6** If the delivered object is inseparably mixed with other objects that do not belong to us, we acquire co-ownership of the new object in the ratio of the value of the delivered object (final invoice amount including value-added tax) to the other mixed objects at the time of mixing. If the mixing takes place in a way in which the customer's object is to be regarded as the main object, it is considered agreed that the customer will transfer proportionate co-ownership to us. The customer will safeguard the created sole ownership or co-ownership for us.
- 10.7** At the customer's request, we undertake to release the securities to which we are entitled insofar as the feasible value of our securities exceeds the demands to be safeguarded by more than 10 %; we are entitled to select the securities to be released.

## § 11 Terms of payment

- 11.1** Unless otherwise agreed, our invoice amounts are payable within 30 days without any deduction. On expiration of this deadline, the customer is in default of payment without a warning on our part being required.
- 11.2** The customer may not exercise any right of set-off unless his/its counterclaim shall be undisputed or conclusively ruled upon. The same applies to the assertion of a right of retention.

## § 12 Written form and final provisions

- 12.1** Any regulations deviating from these business conditions require the written form. This does not apply to regulations, which have been agreed from our side with Managing Directors or authorised signatories.
- 12.2** The legal venue for any disputes from the business relationship between us and the customer is Gießen. However, we are also entitled to take legal action against the customer at his standard legal venue as well as at the location to which the delivered object was sent at the customer's request.
- 12.3** All legal relationships in connection with entering in, performing under or termination of this agreement shall be governed and construed in all respects in accordance with the laws of the Federal Republic of Germany with the exclusion of the Convention on Contracts for the International Sale of Goods (CISG). This also applies, if the legal relationships arise from tort or based on any other legal bases.

## Unser Lieferprogramm:

### ■ MIG/MAG

- Schutzgas Welding Torches
- Automaten- and Sonderbrenner
- Push-Pull-Brenner
- Rauchgas-Absaugbrenner
- Zentralstecker- and -buchsen-System

### ■ WIG

- Schutzgas Welding Torches
- Automaten- and Sonderbrenner

### ■ PLASMA

- Schneidbrenner
- Schweißbrenner
- Automaten- and Sonderbrenner

### ■ ROBOTIC SYSTEMS

- Roboter-Brenner MIG/WIG/PLASMA
- Gasregelsysteme
- Laserköpfe
- Nahführungssensoren
- TCP-Programmierhilfe
- Roboterhalterungen
- Drahtabschneidevorrichtung
- Brenner-Reinigungsstationen
- Drahtfördersysteme

### ■ Schweißzubehör

- Fume Extraction System
- Wasserumlaufkühlgeräte
- Schweißkabelstecker and -buchsen
- Trennmittel, -spray and -paste  
u.a.m.



Alexander Binzel Schweistechnik GmbH & Co. KG  
 Postfach 10 01 53 · D-35331 Gießen  
 Tel.: +49 (0) 64 08 / 59-0  
 Fax: +49 (0) 64 08 / 59-191  
 Email: info@binzel-abicor.com

[www.binzel-abicor.com](http://www.binzel-abicor.com)