



## MIG/MAG Fume Extraction Torches

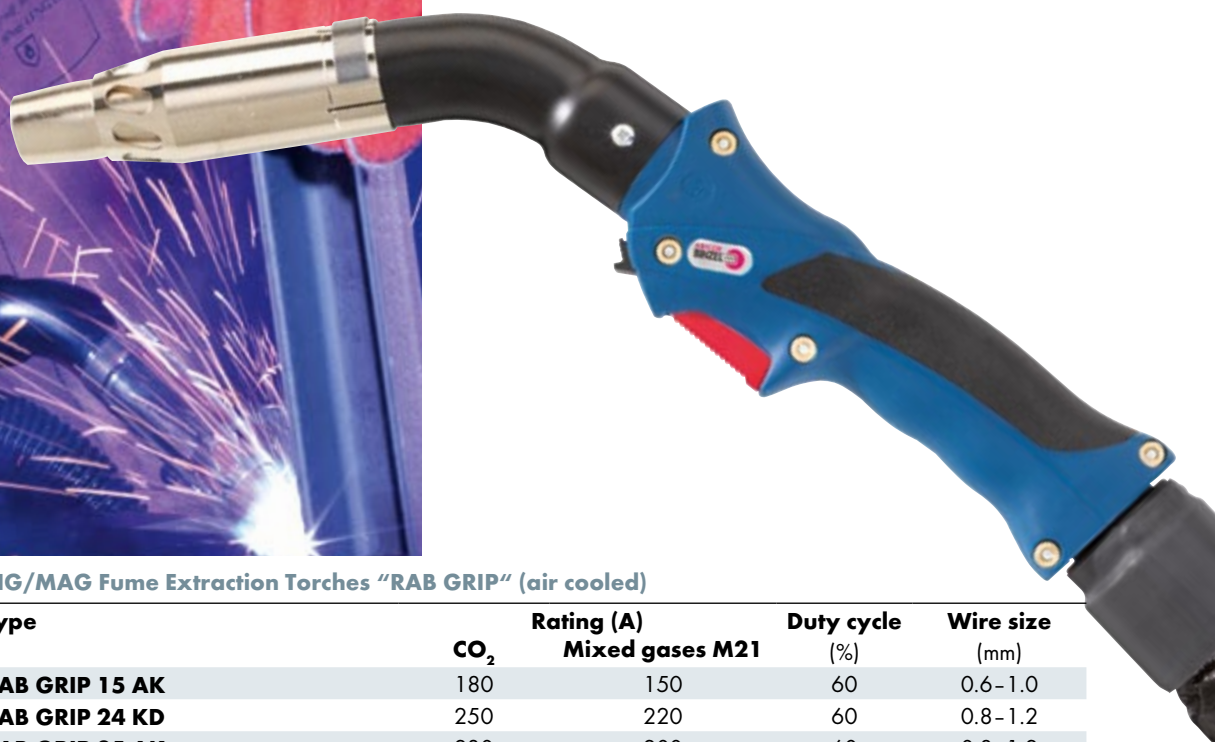
# RAB GRIP

## air and liquid cooled

### “The clean solution”

Every welding job generates fumes and smoke that might be hazardous if inhaled. Based on the well-established torch series “MB” the RAB GRIP fume extraction torches offer efficient fume extraction through the torch. Special design solutions guarantee efficient smoke removal directly at its source without affecting the protective gas shield.

- Direct extraction at the arc – provides a permanent protection of the welder’s respiratory organs
- Problem-free installation in all existing MIG/MAG welding stations
- Small extraction tube diameter – better accessibility
- Aluminum extraction tube – considerable saving of weight
- Handle with extraction control and swivel joint – optimized handling
- A cable assembly with smaller diameters for all types – lower handling weight, optimum flexibility



### Technical data (EN 60 974-7)

#### MIG/MAG Fume Extraction Torches “RAB GRIP” (air cooled)

Type	Rating (A)		Duty cycle (%)	Wire size (mm)
	CO <sub>2</sub>	Mixed gases M21		
<b>RAB GRIP 15 AK</b>	180	150	60	0.6-1.0
<b>RAB GRIP 24 KD</b>	250	220	60	0.8-1.2
<b>RAB GRIP 25 AK</b>	230	200	60	0.8-1.2
<b>RAB GRIP 36 KD</b>	300	270	60	0.8-1.2

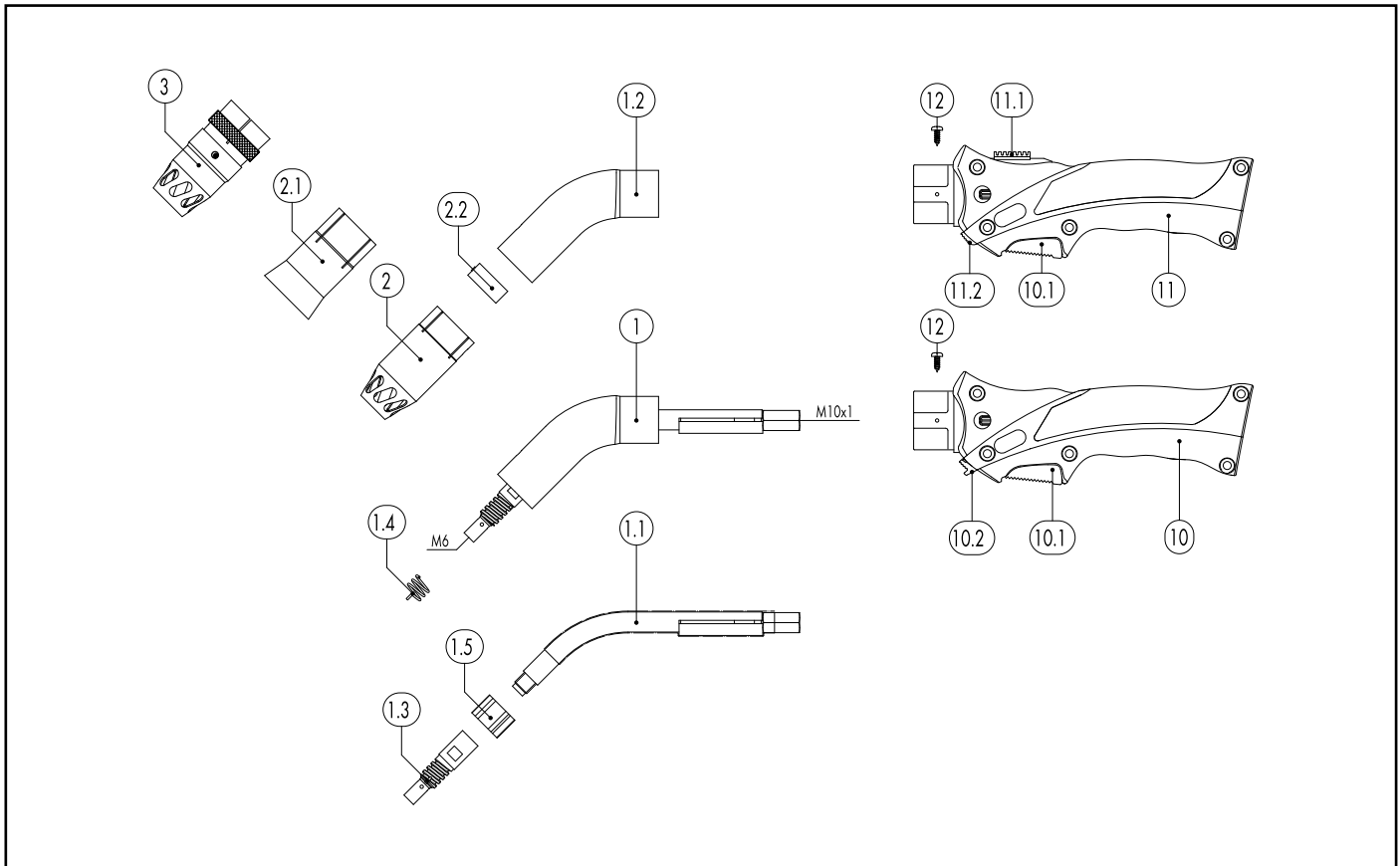
Subject to change without notice.

#### MIG/MAG Fume Extraction Torches “RAB GRIP” (liquid cooled)

Type	Rating (A)		Duty cycle (%)	Wire size (mm)
	CO <sub>2</sub>	Mixed gases M21		
<b>RAB GRIP 240 D</b>	300	270	100	0.8-1.2
<b>RAB GRIP 501</b>	550	500	100	1.0-1.6
<b>RAB GRIP 501 D</b>	500	450	100	1.0-1.6

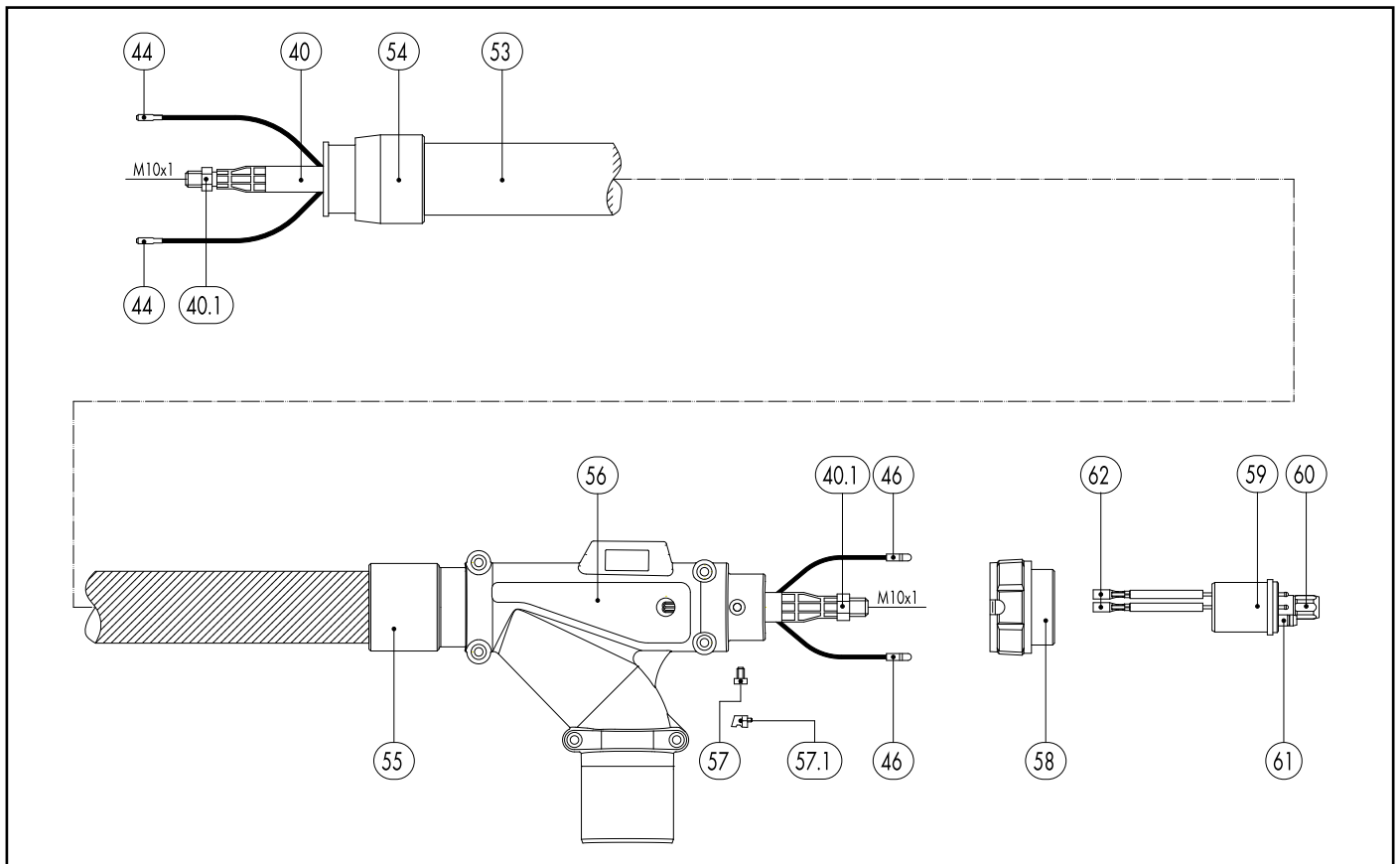
Subject to change without notice.

# MIG/MAG Fume Extraction Torches RAB GRIP 15 AK



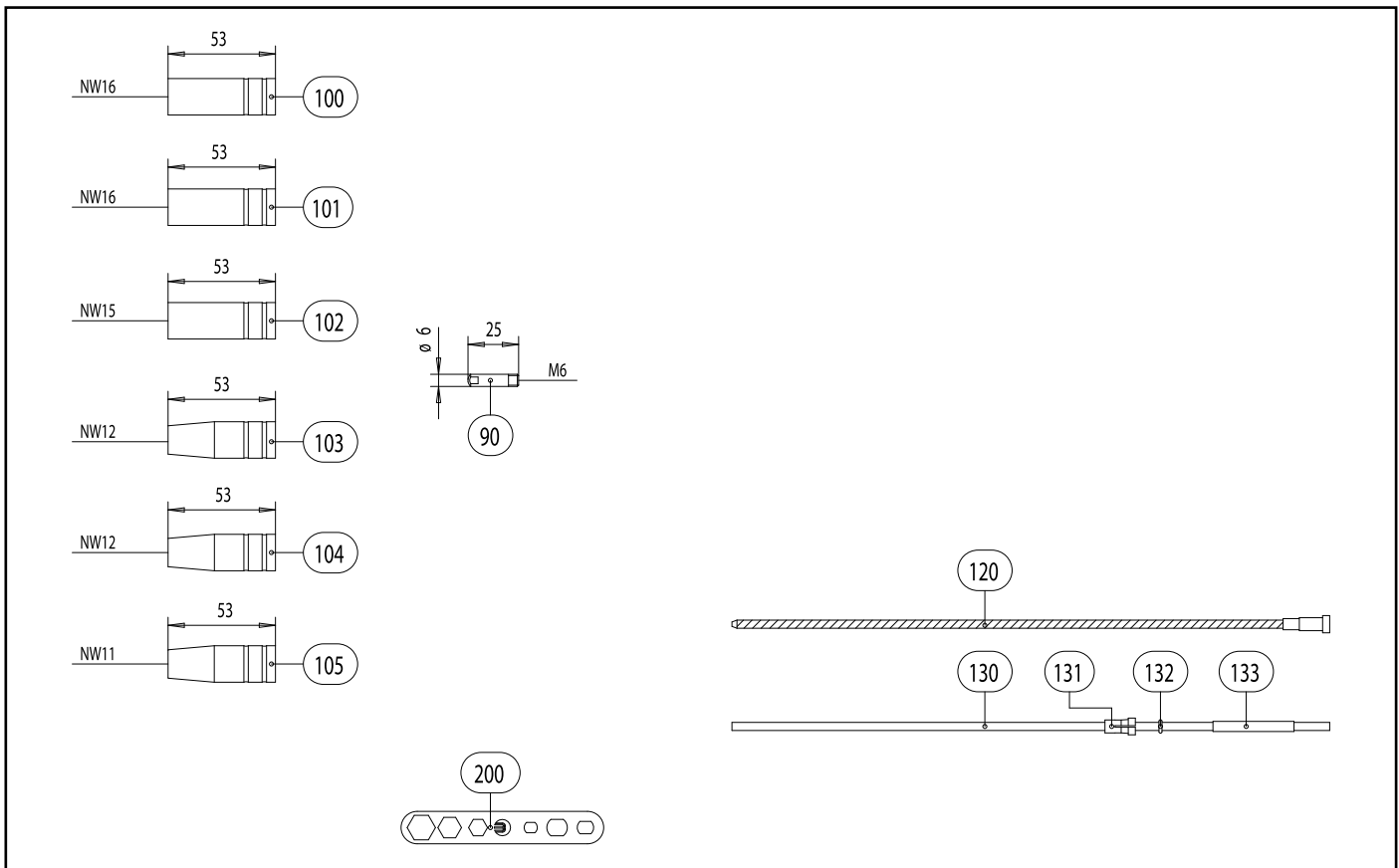
Pos.	Description	Units	Part-No.	Product-group
<b>Torch (Suction nozzle with spring clip, feed air slide below)</b>				
	RAB GRIP 15 AK; central adaptor KZ-2; 3.00 m		602.3001.1	1620
	RAB GRIP 15 AK; central adaptor KZ-2; 4.00 m		602.3002.1	1620
	RAB GRIP 15 AK; central adaptor KZ-2; 5.00 m		602.3003.1	1620
<b>Torch (Suction nozzle with Quicklock, feed air slide on top)</b>				
	RAB GRIP 15 AK Quicklock; central adaptor KZ-2; 3.00 m		602.3008.1	1620
	RAB GRIP 15 AK Quicklock; central adaptor KZ-2; 4.00 m		602.3009.1	1620
	RAB GRIP 15 AK Quicklock; central adaptor KZ-2; 5.00 m		602.3010.1	1620
<b>Swan neck</b>				
1	Swan neck RAB GRIP 15 AK; 45° gebogen		602.3004.1	1007
1.1	Inner neck; 45° bent		602.2002	1095
1.2	Outer neck		600.3007.1	1095
1.3	Gas nozzle holder AUT 15 AK	10 Pcs.	902.0007	1095
1.4	Nozzle spring	100 Pcs.	002.0058	1095
1.5	Insulating part		602.2003	1095
<b>Fume shroud</b>				
2	Fume shroud with spring clip (type 15)		600.2047.1	1602
2.1	Fume shroud (funnel)		602.0040	1602
2.2	Spring clip		600.2037	1095
3	Fume shroud with Quicklock (type 15)		600.3017.1	1602
<b>Handle RAB GRIP standard</b>				
10	Handle RAB GRIP Standard (feed air slide below)		180.0138.1	1095
10.1	Trigger 2-pole GRIP		185.0101	9010
10.2		10 Pcs.	400.1452.10	9010
<b>Handle RAB GRIP ZO</b>				
11	Handle RAB GRIP ZO (feed air slide on top)		180.0144.1	1095

# MIG/MAG Fume Extraction Torches RAB GRIP 15 AK



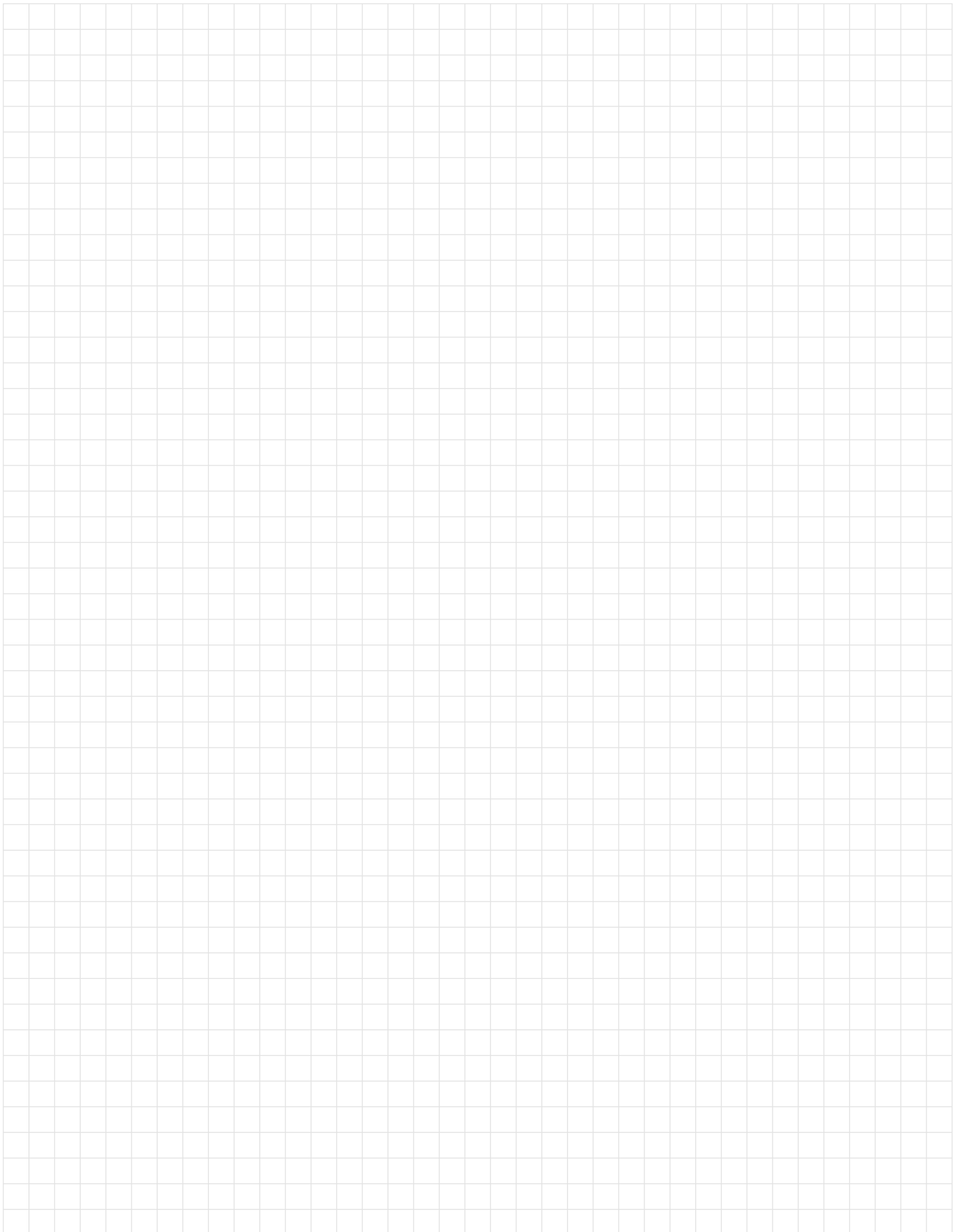
Pos.	Description	Units	Part-No.	Product-group
11.1			400.1631.1	1095
11.2		10 Pcs.	400.1496.10	1095
	<b>Cable assembly</b>			
40	Bikox® LW-power cable, R4 for 3.00 m		160.H025.1	1511
40	Bikox® LW-power cable, R4 for 4.00 m		160.H026.1	1511
40	Bikox® LW-power cable, R4 for 5.00 m		160.H027.1	1511
40.1	Hexagon nut M10x1	10 Pcs.	001.0009	9010
44	Trigger wire connector	20 Pcs.	175.0022	9010
46	Plug	20 Pcs.	175.0004	9010
53	Hose 33 black LW 32 R	30 m	109.0043	4050
54	Connector RAB GRIP 15 / 24 / 25 / 36		600.2008	1095
55			600.3005.1	1095
56			501.2591.1	1095
57	Pan head screw M4x6	20 Pcs.	000.0552	9010
57.1	Screw cap 1	20 Pcs.	500.0251	9010
58	Adaptor nut M33x2		500.0213	9010
59	Central adaptor KZ-2		501.0003	1095
60	Coupling nut M10x1	10 Pcs.	501.0082	9010
61	O-Ring 4x1	20 Pcs.	165.0002	9010
62	Trigger wire connector; female	20 Pcs.	175.0003	9010
	<b>Wear parts</b>			
90	<b>Contact tip M6 E-Cu; Ø 0.8 (6x25)</b>	10 Pcs.	140.0059	1030
90	Contact tip M6 E-Cu; Ø 1.0 (6x25)	10 Pcs.	140.0253	1030
90	Contact tip M6 CuCrZr; Ø 0.8 (6x25)	10 Pcs.	140.0062	1031
90	Contact tip M6 CuCrZr; Ø 1.0 (6x25)	10 Pcs.	140.0256	1031
90	Contact tip M6 E-Cu; Ø 0.8 for alu wire (6x25)	10 Pcs.	141.0002	1030

# MIG/MAG Fume Extraction Torches RAB GRIP 15 AK

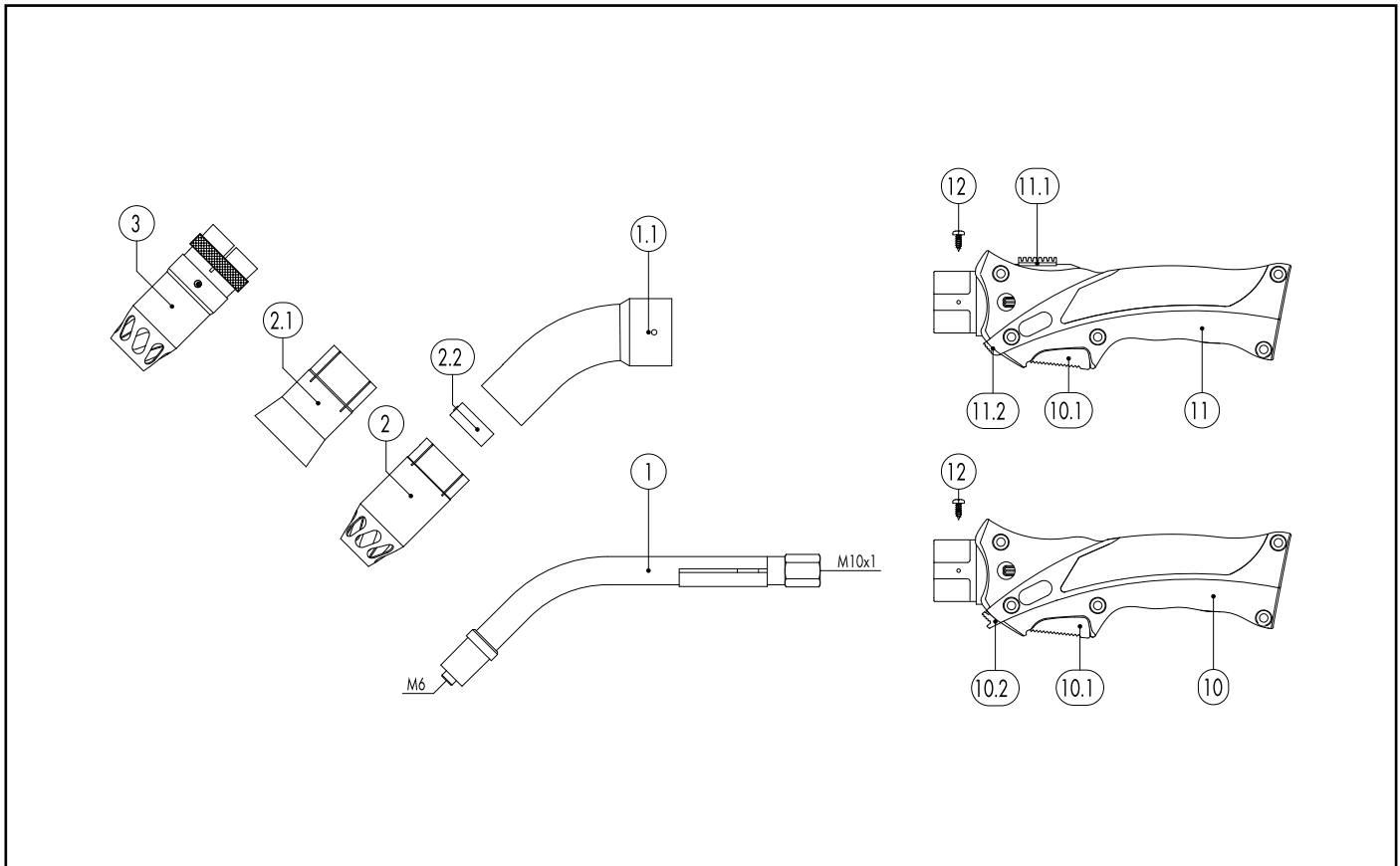


Pos.	Description	Units	Part-No.	Product-group
90	Contact tip M6 E-Cu; Ø 1.0 for alu wire (6x25)	10 Pcs.	141.0007	1030
90	Contact tip M6 CuCrZr silver-plated; Ø 0.8 (6x25)	10 Pcs.	147.0062	1031
90	Contact tip M6 CuCrZr silver-plated; Ø 1.0 (6x25)	10 Pcs.	147.0256	1031
100	Gas nozzle; cylindrical; ND Ø 16.0	10 Pcs.	145.0041	1036
101	Gas nozzle; cylindrical with extended insulation; ND Ø 16.0	10 Pcs.	145.0067	1036
102	Gas nozzle; cylindrical; heavy duty; ND Ø 15.0	10 Pcs.	145.0072	1036
103	Gas nozzle; conical; ND Ø 12.0	10 Pcs.	145.0075	1036
104	Gas nozzle; conical; with extended insulation; ND Ø 12.0	10 Pcs.	145.0107	1036
105	Gas nozzle; conical; heavy duty; ND Ø 11.0	10 Pcs.	145.0116	1036
120	Guide spiral liner insulated; 1.5/4.5; blue; for wire Ø 0.6 - 0.8; for 3.00 m		124.0011	1034
120	Guide spiral liner insulated; 1.5/4.5; blue; for wire Ø 0.6 - 0.8; for 4.00 m		124.0012	1034
120	Guide spiral liner insulated; 1.5/4.5; blue; for wire Ø 0.6 - 0.8; for 5.00 m		124.0015	1034
120	Guide spiral liner insulated; 2.0/4.5; red; for wire Ø 1.0 - 1.2; for 3.00 m		124.0026	1034
120	Guide spiral liner insulated; 2.0/4.5; red; for wire Ø 1.0 - 1.2; for 4.00 m		124.0031	1034
120	Guide spiral liner insulated; 2.0/4.5; red; for wire Ø 1.0 - 1.2; for 5.00 m		124.0035	1034
130	PTFE core liner 1.5/4.0; blue; wire electrode Ø 0.8 - 1.0; for 3.00 m		126.0005	1034
130	PTFE core liner 1.5/4.0; blue; wire electrode Ø 0.8 - 1.0; for 4.00 m		126.0008	1034
130	PTFE core liner 1.5/4.0; blue; wire electrode Ø 0.8 - 1.0; for 5.00 m		126.0011	1034
130	PTFE carbon core liner 1.5/4.0; wire electrode Ø 0.8 - 1.0; for 3.00 m		127.0002	1034
130	PTFE carbon core liner 1.5/4.0; wire electrode Ø 0.8 - 1.0; for 4.00 m		127.0003	1034
130	PTFE carbon core liner 1.5/4.0; wire electrode Ø 0.8 - 1.0; for 5.00 m		127.0004	1034
131	Nipple for core liner at Ø 4.0	20 Pcs.	131.0001	1095
132	O-Ring 3.5x1.5	20 Pcs.	165.0008	9010
133	Guide tube for core liners up to Ø 4.0 (200 mm)	10 Pcs.	129.0461	1095
200	Spanner Standard		191.0001	9010

# Notes

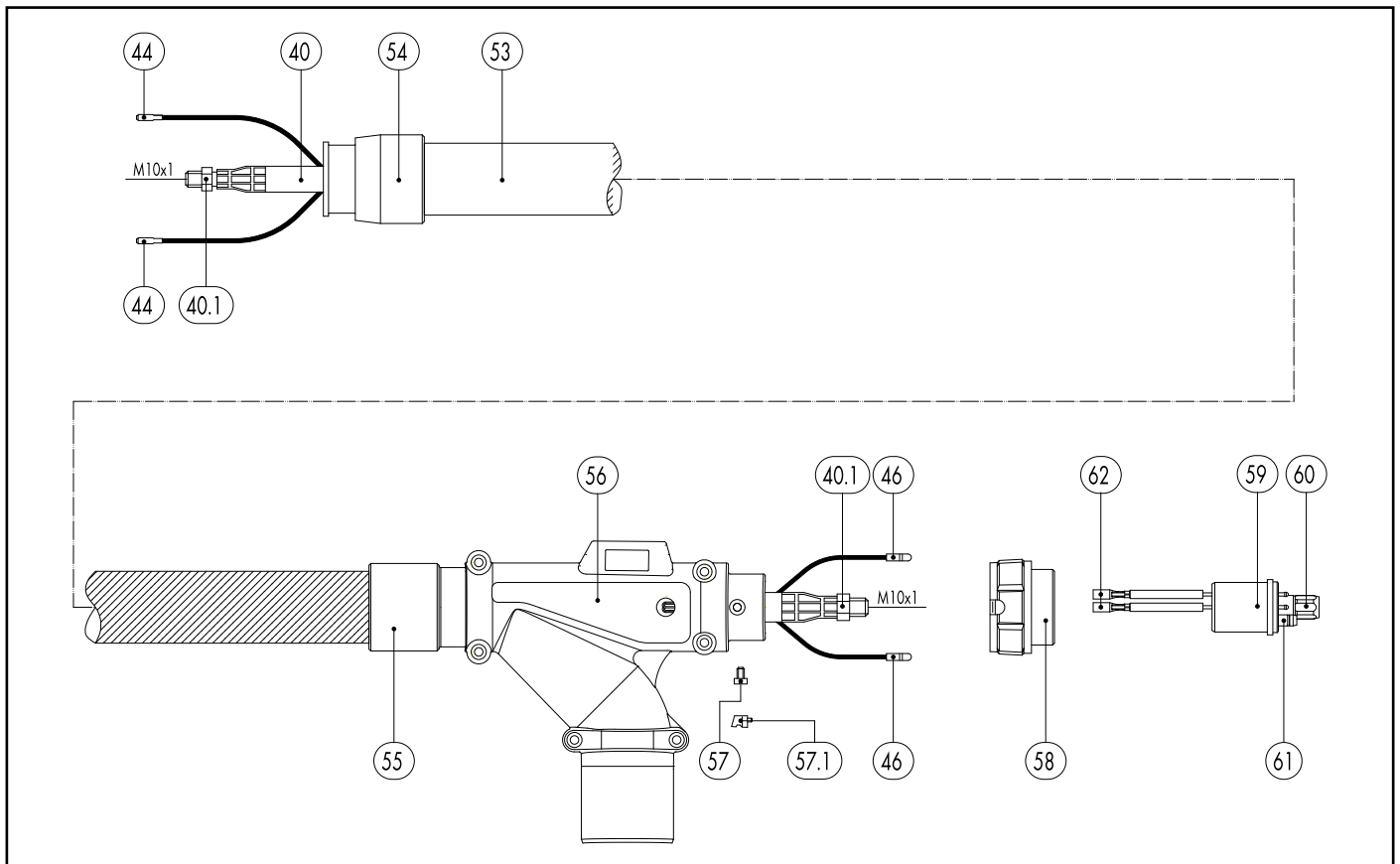


# MIG/MAG Fume Extraction Torches RAB GRIP 24 KD



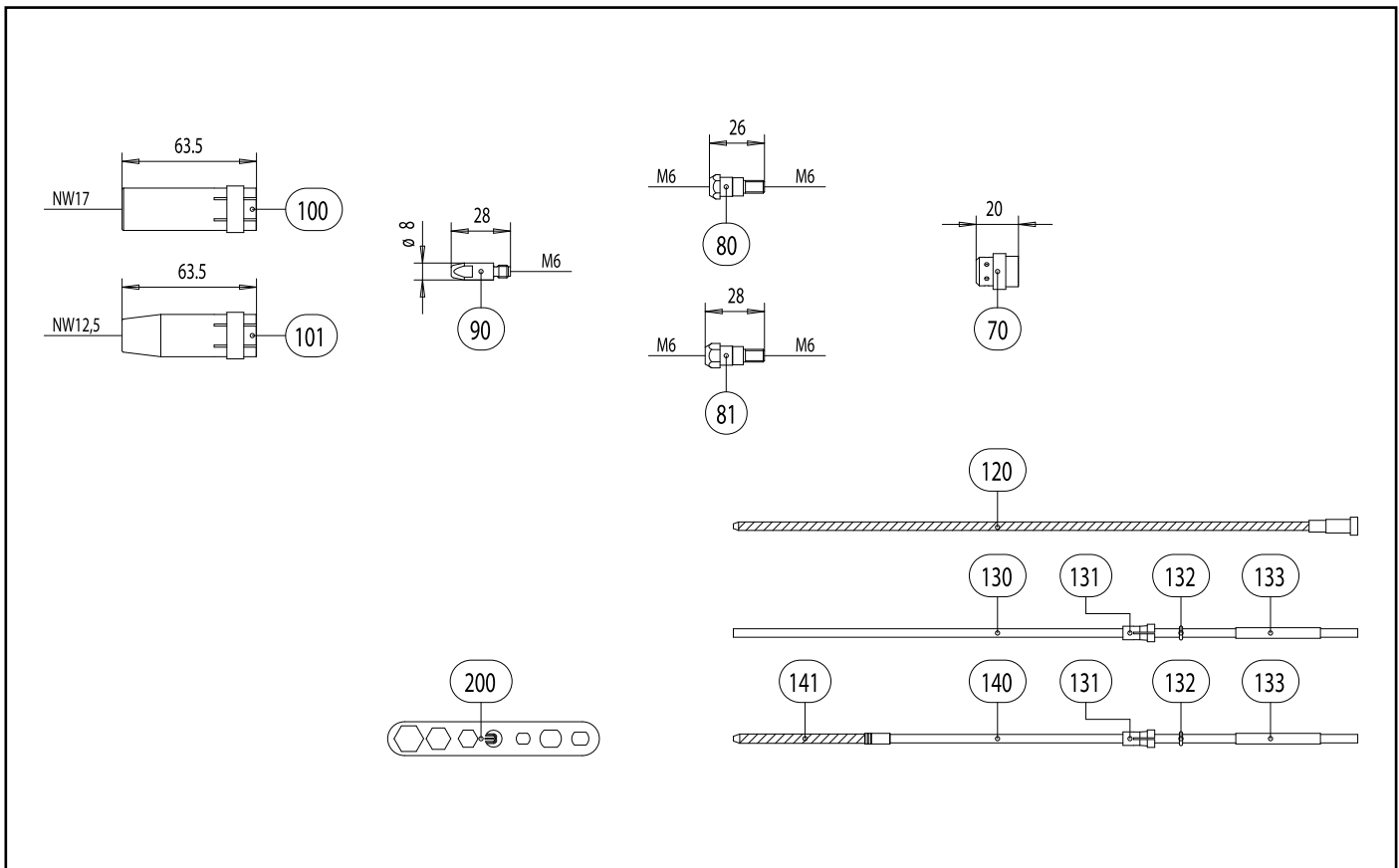
Pos.	Description	Units	Part-No.	Product-group
	<b>Torch (Suction nozzle with spring clip, feed air slide below)</b>			
	RAB GRIP 25 AK; central adaptor KZ-2; 3.00 m		604.3001.1	1620
	RAB GRIP 25 AK; central adaptor KZ-2; 4.00 m		604.3002.1	1620
	RAB GRIP 25 AK; central adaptor KZ-2; 5.00 m		604.3003.1	1620
	<b>Torch (Suction nozzle with Quicklock, feed air slide on top)</b>			
	RAB GRIP 25 AK Quicklock; central adaptor KZ-2; 3.00 m		604.3007.1	1620
	RAB GRIP 25 AK Quicklock; central adaptor KZ-2; 4.00 m		604.3008.1	1620
	RAB GRIP 25 AK Quicklock; central adaptor KZ-2; 5.00 m		604.3009.1	1620
	<b>Swan neck</b>			
1	Swan neck RAB GRIP 25 AK		604.2001	1007
1.1	Outer neck		600.3007.1	1095
	<b>Fume shroud</b>			
2	Fume shroud with spring clip (type 25)		600.2046.1	1602
2.1	Fume shroud (funnel)		602.0040	1602
2.2	Spring clip		600.2037	1095
3	Fume shroud with Quicklock (type 25)		600.3019.1	1602
	<b>Handle RAB GRIP standard</b>			
10	Handle RAB GRIP Standard (feed air slide below)		180.0138.1	1095
10.1	Trigger 2-pole GRIP		185.0101	9010
10.2		10 Pcs.	400.1452.10	9010
	<b>Handle RAB GRIP ZO</b>			
11	Handle RAB GRIP ZO (feed air slide on top)		180.0144.1	1095
11.1			400.1631.1	1095
11.2		10 Pcs.	400.1496.10	1095

# MIG/MAG Fume Extraction Torches RAB GRIP 24 KD



Pos.	Description	Units	Part-No.	Product-group
<b>Cable assembly</b>				
40	Bikox® LW-power cable, R5 for 3.00 m		160.H032.1	1511
40	Bikox® LW-power cable, R5 for 4.00 m		160.H033.1	1511
40	Bikox® LW-power cable, R5 for 5.00 m		160.H034.1	1511
40.1	Hexagon nut M10x1	10 Pcs.	001.0009	9010
44	Trigger wire connector	20 Pcs.	175.0022	9010
46	Plug	20 Pcs.	175.0004	9010
53	Hose 33 black LW 32 R	30 m	109.0043	4050
54	Connector RAB GRIP 15 / 24 / 25 / 36		600.2008	1095
55			600.3005.1	1095
56			501.2591.1	1095
57	Pan head screw M4x6	20 Pcs.	000.0552	9010
57.1	Screw cap 1	20 Pcs.	500.0251	9010
58	Adaptor nut M33x2		500.0213	9010
59	Central adaptor KZ-2		501.0003	1095
60	Coupling nut M10x1	10 Pcs.	501.0082	9010
61	O-Ring 4x1	20 Pcs.	165.0002	9010
62	Trigger wire connector; female	20 Pcs.	175.0003	9010
<b>Wear parts</b>				
80	Contact tip holder M6; 35.0 mm	10 Pcs.	142.0001	1033
90	Contact tip M6 E-Cu; Ø 0.8 (8x28)	10 Pcs.	140.0051	1030
90	Contact tip M6 E-Cu; Ø 1.0 (8x28)	10 Pcs.	140.0242	1030
90	Contact tip M6 E-Cu; Ø 1.2 (8x28)	10 Pcs.	140.0379	1030
90	Contact tip M6 CuCrZr; Ø 0.8 (8x28)	10 Pcs.	140.0054	1031
90	Contact tip M6 CuCrZr; Ø 1.0 (8x28)	10 Pcs.	140.0245	1031
90	Contact tip M6 CuCrZr; Ø 1.2 (8x28)	10 Pcs.	140.0382	1031

# MIG/MAG Fume Extraction Torches RAB GRIP 24 KD



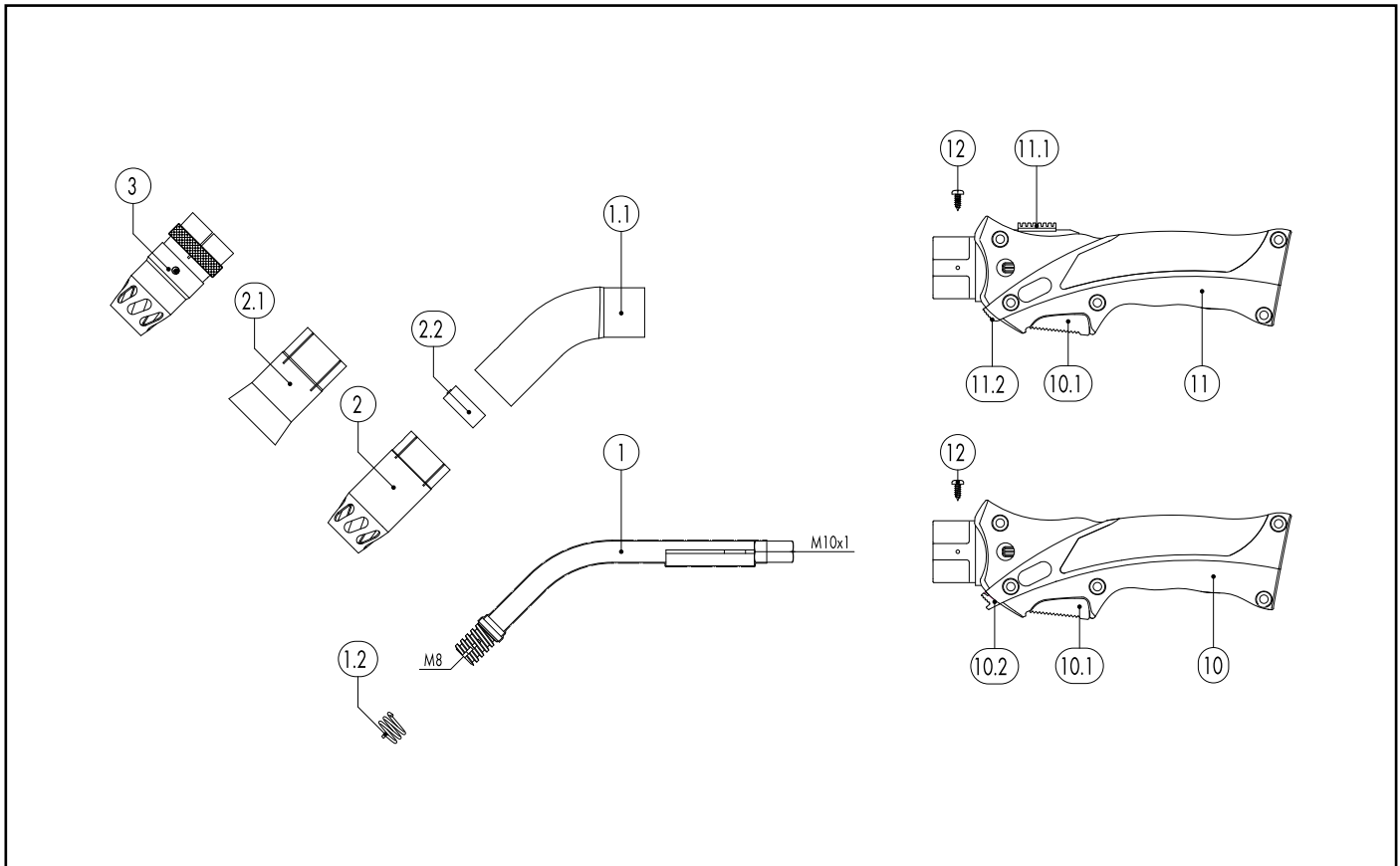
## Pos. Description

Pos.	Description	Units	Part-No.	Product-group
90	Contact tip M6 E-Cu; Ø 0.8 for alu wire (8x28)	10 Pcs.	141.0001	1030
90	Contact tip M6 E-Cu; Ø 1.0 for alu wire (8x28)	10 Pcs.	141.0006	1030
90	Contact tip M6 E-Cu; Ø 1.2 for alu wire (8x28)	10 Pcs.	141.0010	1030
90	Contact tip M6 CuCrZr silver-plated; Ø 0.8 (8x28)	10 Pcs.	147.0054	1031
90	Contact tip M6 CuCrZr silver-plated; Ø 1.0 (8x28)	10 Pcs.	147.0245	1031
90	Contact tip M6 CuCrZr silver-plated; Ø 1.2 (8x28)	10 Pcs.	147.0382	1031
100	Gas nozzle; cylindrical; ND Ø 18.0	10 Pcs.	145.0042	1036
101	Gas nozzle; cylindrical with extended insulation; ND Ø 18.0	10 Pcs.	145.0061	1036
102	Gas nozzle; conical; ND Ø 15.0	10 Pcs.	145.0076	1036
103	Gas nozzle; conical; with extended insulation; ND Ø 15.0	10 Pcs.	145.0100	1036
105	Gas nozzle; tapered, with extended insulation; ND Ø 13.0	10 Pcs.	145.0432	1036
120	Guide spiral liner insulated; 1.5/4.5; blue; for wire Ø 0.6 - 0.8; for 3.00 m		124.0011	1034
120	Guide spiral liner insulated; 1.5/4.5; blue; for wire Ø 0.6 - 0.8; for 4.00 m		124.0012	1034
120	Guide spiral liner insulated; 1.5/4.5; blue; for wire Ø 0.6 - 0.8; for 5.00 m		124.0015	1034
120	Guide spiral liner insulated; 2.0/4.5; red; for wire Ø 1.0 - 1.2; for 3.00 m		124.0026	1034
120	Guide spiral liner insulated; 2.0/4.5; red; for wire Ø 1.0 - 1.2; for 4.00 m		124.0031	1034
120	Guide spiral liner insulated; 2.0/4.5; red; for wire Ø 1.0 - 1.2; for 5.00 m		124.0035	1034
130	PTFE core liner 1.5/4.0; blue; wire electrode Ø 0.8 - 1.0; for 3.00 m		126.0005	1034
130	PTFE core liner 1.5/4.0; blue; wire electrode Ø 0.8 - 1.0; for 4.00 m		126.0008	1034
130	PTFE core liner 1.5/4.0; blue; wire electrode Ø 0.8 - 1.0; for 5.00 m		126.0011	1034
130	PTFE core liner 2.0/4.0; red; wire electrode Ø 1.0 - 1.2; for 3.00 m		126.0021	1034
130	PTFE core liner 2.0/4.0; red; wire electrode Ø 1.0 - 1.2; for 4.00 m		126.0026	1034
130	PTFE core liner 2.0/4.0; red; wire electrode Ø 1.0 - 1.2; for 5.00 m		126.0028	1034
130	PTFE carbon core liner 1.5/4.0; wire electrode Ø 0.8 - 1.0; for 3.00 m		127.0002	1034
130	PTFE carbon core liner 1.5/4.0; wire electrode Ø 0.8 - 1.0; for 4.00 m		127.0003	1034
130	PTFE carbon core liner 1.5/4.0; wire electrode Ø 0.8 - 1.0; for 5.00 m		127.0004	1034



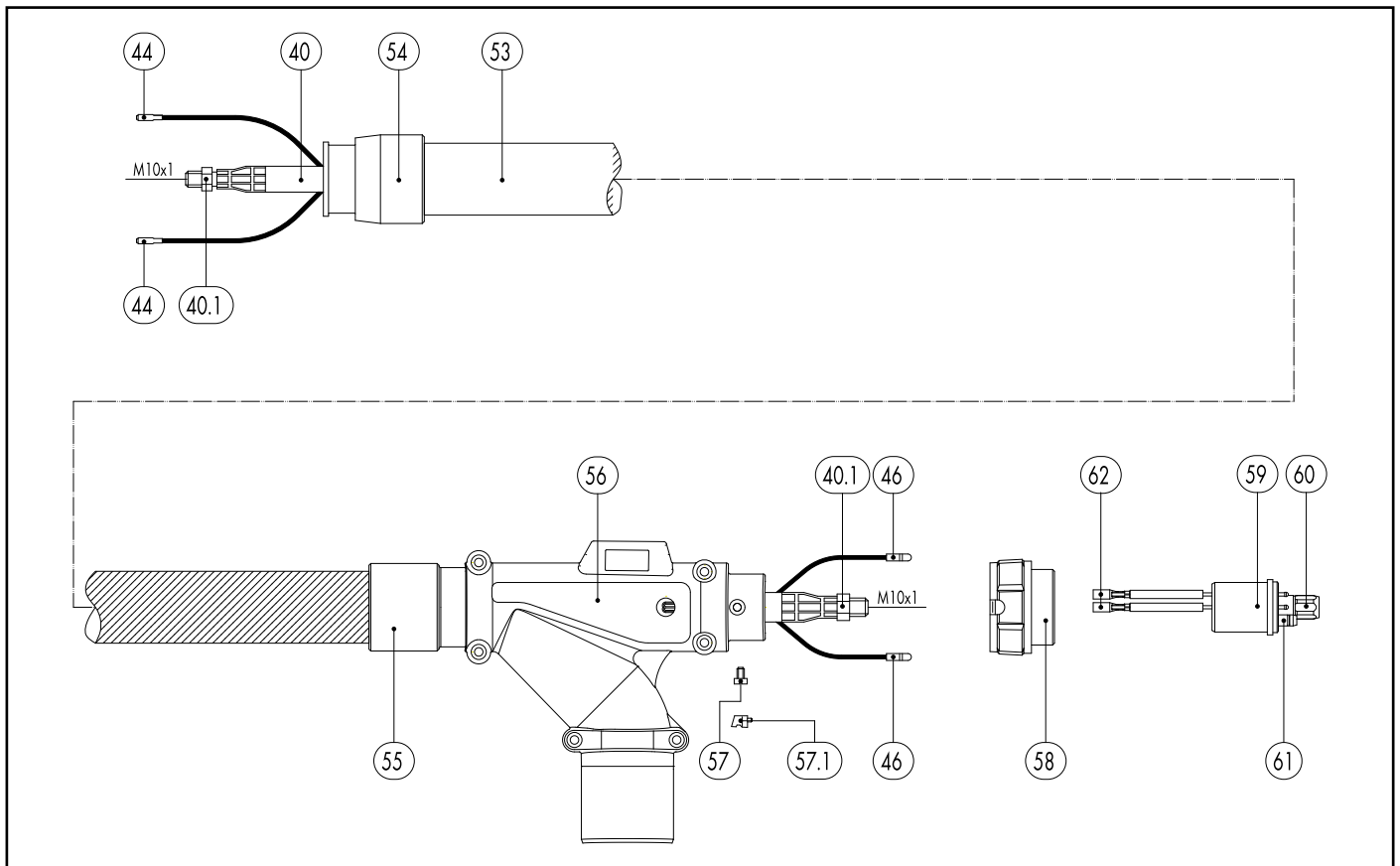


# MIG/MAG Fume Extraction Torches RAB GRIP 25 AK



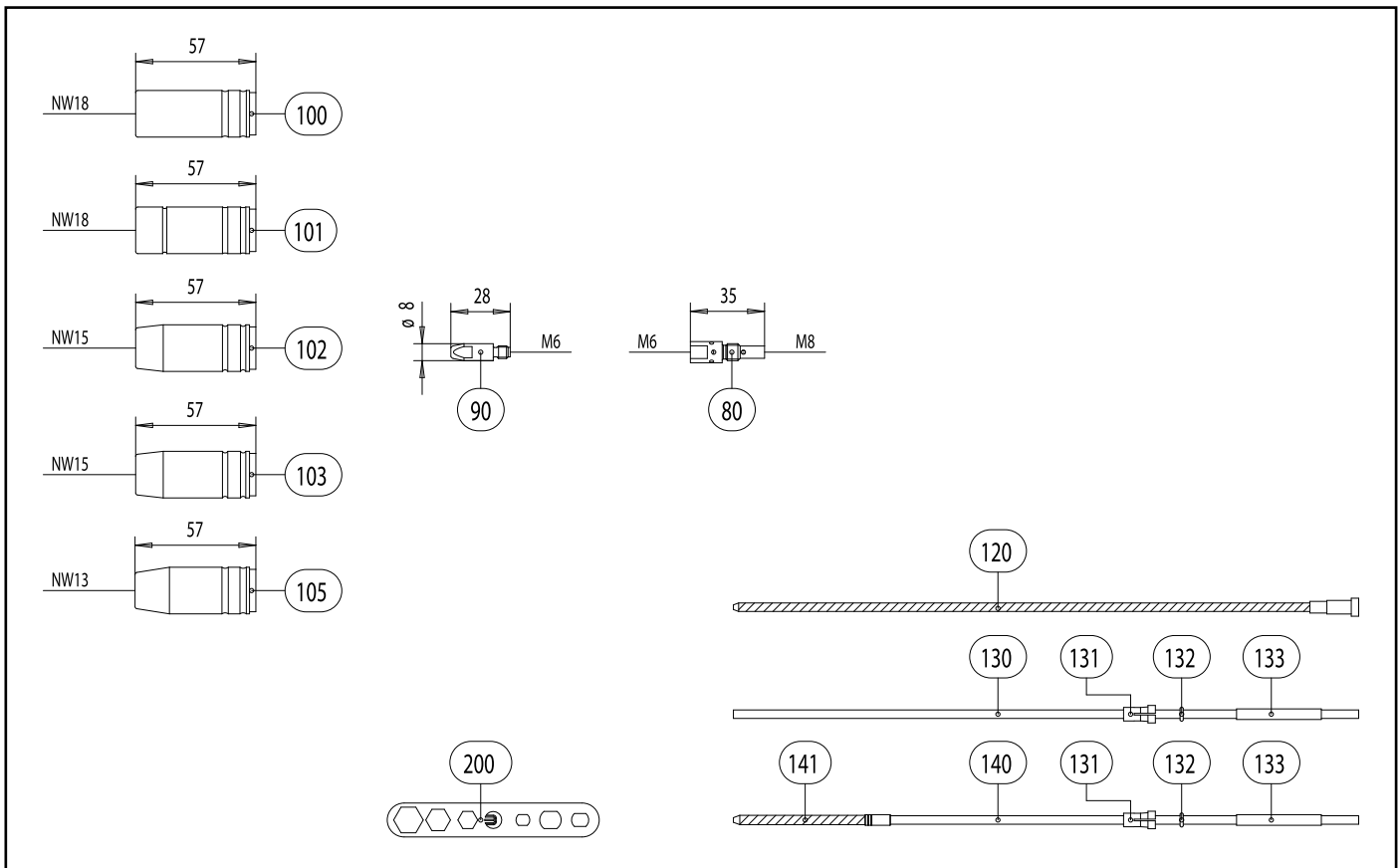
Pos.	Description	Units	Part-No.	Product-group
<b>Torch (Suction nozzle with spring clip, feed air slide below)</b>				
	RAB GRIP 24 KD; central adaptor KZ-2; 3.00 m		612.3001.1	1620
	RAB GRIP 24 KD; central adaptor KZ-2; 4.00 m		612.3002.1	1620
	RAB GRIP 24 KD; central adaptor KZ-2; 5.00 m		612.3003.1	1620
<b>Torch (Suction nozzle with Quicklock, feed air slide on top)</b>				
	RAB GRIP 24 KD Quicklock; central adaptor KZ-2; 3.00 m		612.3007.1	1620
	RAB GRIP 24 KD Quicklock; central adaptor KZ-2; 4.00 m		612.3008.1	1620
	RAB GRIP 24 KD Quicklock; central adaptor KZ-2; 5.00 m		612.3009.1	1620
<b>Swan neck</b>				
1	Swan neck RAB GRIP 24 KD		612.2001	1007
1.1	Outer neck		600.2002	1095
<b>Fume shroud</b>				
2	Fume shroud with spring clip (type 24, 240)		600.2045.1	1602
2.1	Fume shroud (funnel)		612.0023	1602
2.2	Spring clip		600.2028	1095
3	Fume shroud with Quicklock (type 24, 240)		600.3018.1	1602
<b>Handle RAB GRIP standard</b>				
10	Handle RAB GRIP Standard (feed air slide below)		180.0138.1	1095
10.1	Trigger 2-pole GRIP		185.0101	9010
10.2		10 Pcs.	400.1452.10	9010
<b>Handle RAB GRIP ZO</b>				
11	Handle RAB GRIP ZO (feed air slide on top)		180.0144.1	1095
11.1			400.1631.1	1095
11.2		10 Pcs.	400.1496.10	1095

# MIG/MAG Fume Extraction Torches RAB GRIP 25 AK



Pos.	Description	Units	Part-No.	Product-group
<b>Cable assembly</b>				
40	Bikox® LW-power cable, R6 for 3.00 m		160.H039.1	1511
40	Bikox® LW-power cable, R6 for 4.00 m		160.H040.1	1511
40	Bikox® LW-power cable, R6 for 5.00 m		160.H041.1	1511
40.1	Hexagon nut M10x1	10 Pcs.	001.0009	9010
44	Trigger wire connector	20 Pcs.	175.0022	9010
46	Plug	20 Pcs.	175.0004	9010
53	Hose 33 black LW 32 R	30 m	109.0043	4050
54	Connector RAB GRIP 15 / 24 / 25 / 36		600.2008	1095
55			600.3005.1	1095
56			501.2591.1	1095
57	Pan head screw M4x6	20 Pcs.	000.0552	9010
57.1	Screw cap 1	20 Pcs.	500.0251	9010
58	Adaptor nut M33x2		500.0213	9010
59	Central adaptor KZ-2		501.0003	1095
60	Coupling nut M10x1	10 Pcs.	501.0082	9010
61	O-Ring 4x1	20 Pcs.	165.0002	9010
62	Trigger wire connector; female	20 Pcs.	175.0003	9010
<b>Wear parts</b>				
70	Gas diffuser, white	10 Pcs.	012.0183	1032
70	Gas diffuser, silicone rubber	10 Pcs.	012.0243	1032
80	Contact tip holder M6; 26.0 mm	10 Pcs.	142.0003	1033
81	Contact tip holder M6; 28.0 mm	10 Pcs.	142.0010	1033
90	Contact tip M6 E-Cu; Ø 0.8 (8x28)	10 Pcs.	140.0051	1030
90	Contact tip M6 E-Cu; Ø 1.0 (8x28)	10 Pcs.	140.0242	1030
90	Contact tip M6 E-Cu; Ø 1.2 (8x28)	10 Pcs.	140.0379	1030

# MIG/MAG Fume Extraction Torches RAB GRIP 25 AK

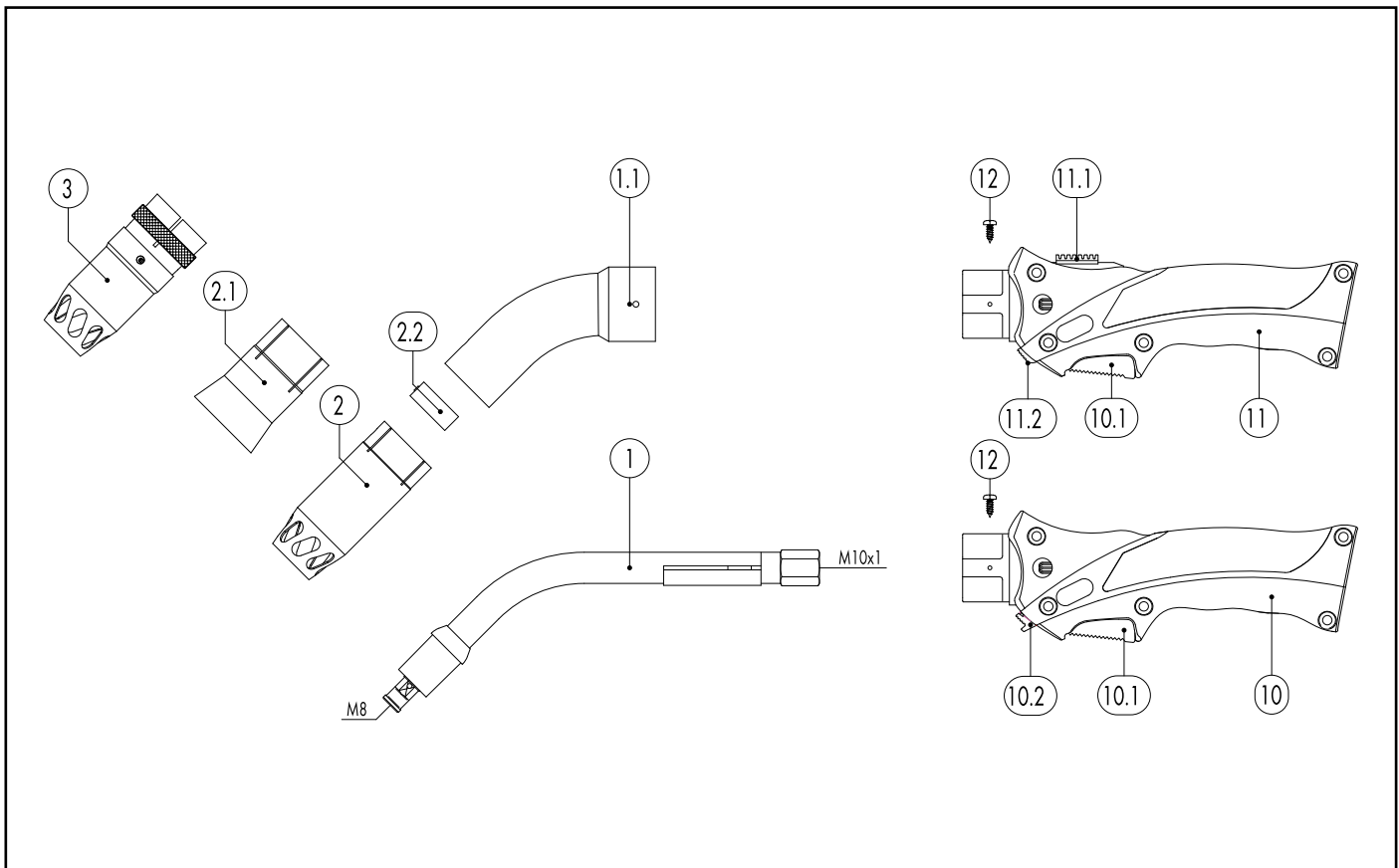


## Pos. Description

Pos.	Description	Units	Part-No.	Product-group
90	Contact tip M6 CuCrZr; Ø 0.8 (8x28)	10 Pcs.	140.0054	1031
90	Contact tip M6 CuCrZr; Ø 1.0 (8x28)	10 Pcs.	140.0245	1031
90	Contact tip M6 CuCrZr; Ø 1.2 (8x28)	10 Pcs.	140.0382	1031
90	Contact tip M6 E-Cu; Ø 0.8 for alu wire (8x28)	10 Pcs.	141.0001	1030
90	Contact tip M6 E-Cu; Ø 1.0 for alu wire (8x28)	10 Pcs.	141.0006	1030
90	Contact tip M6 E-Cu; Ø 1.2 for alu wire (8x28)	10 Pcs.	141.0010	1030
90	Contact tip M6 CuCrZr silver-plated; Ø 0.8 (8x28)	10 Pcs.	147.0054	1031
90	Contact tip M6 CuCrZr silver-plated; Ø 1.0 (8x28)	10 Pcs.	147.0245	1031
90	Contact tip M6 CuCrZr silver-plated; Ø 1.2 (8x28)	10 Pcs.	147.0382	1031
100	Gas nozzle; cylindrical; ND Ø 17.0	10 Pcs.	145.0047	1036
101	Gas nozzle; conical; ND Ø 12.5	10 Pcs.	145.0080	1036
120	Guide spiral liner insulated; 1.5/4.5; blue; for wire Ø 0.6 - 0.8; for 3.00 m		124.0011	1034
120	Guide spiral liner insulated; 1.5/4.5; blue; for wire Ø 0.6 - 0.8; for 4.00 m		124.0012	1034
120	Guide spiral liner insulated; 1.5/4.5; blue; for wire Ø 0.6 - 0.8; for 5.00 m		124.0015	1034
120	Guide spiral liner insulated; 2.0/4.5; red; for wire Ø 1.0 - 1.2; for 3.00 m		124.0026	1034
120	Guide spiral liner insulated; 2.0/4.5; red; for wire Ø 1.0 - 1.2; for 4.00 m		124.0031	1034
120	Guide spiral liner insulated; 2.0/4.5; red; for wire Ø 1.0 - 1.2; for 5.00 m		124.0035	1034
130	PTFE core liner 1.5/4.0; blue; wire electrode Ø 0.8 - 1.0; for 3.00 m		126.0005	1034
130	PTFE core liner 1.5/4.0; blue; wire electrode Ø 0.8 - 1.0; for 4.00 m		126.0008	1034
130	PTFE core liner 1.5/4.0; blue; wire electrode Ø 0.8 - 1.0; for 5.00 m		126.0011	1034
130	PTFE core liner 2.0/4.0; red; wire electrode Ø 1.0 - 1.2; for 3.00 m		126.0021	1034
130	PTFE core liner 2.0/4.0; red; wire electrode Ø 1.0 - 1.2; for 4.00 m		126.0026	1034
130	PTFE core liner 2.0/4.0; red; wire electrode Ø 1.0 - 1.2; for 5.00 m		126.0028	1034
130	PTFE carbon core liner 1.5/4.0; wire electrode Ø 0.8 - 1.0; for 3.00 m		127.0002	1034
130	PTFE carbon core liner 1.5/4.0; wire electrode Ø 0.8 - 1.0; for 4.00 m		127.0003	1034
130	PTFE carbon core liner 1.5/4.0; wire electrode Ø 0.8 - 1.0; for 5.00 m		127.0004	1034

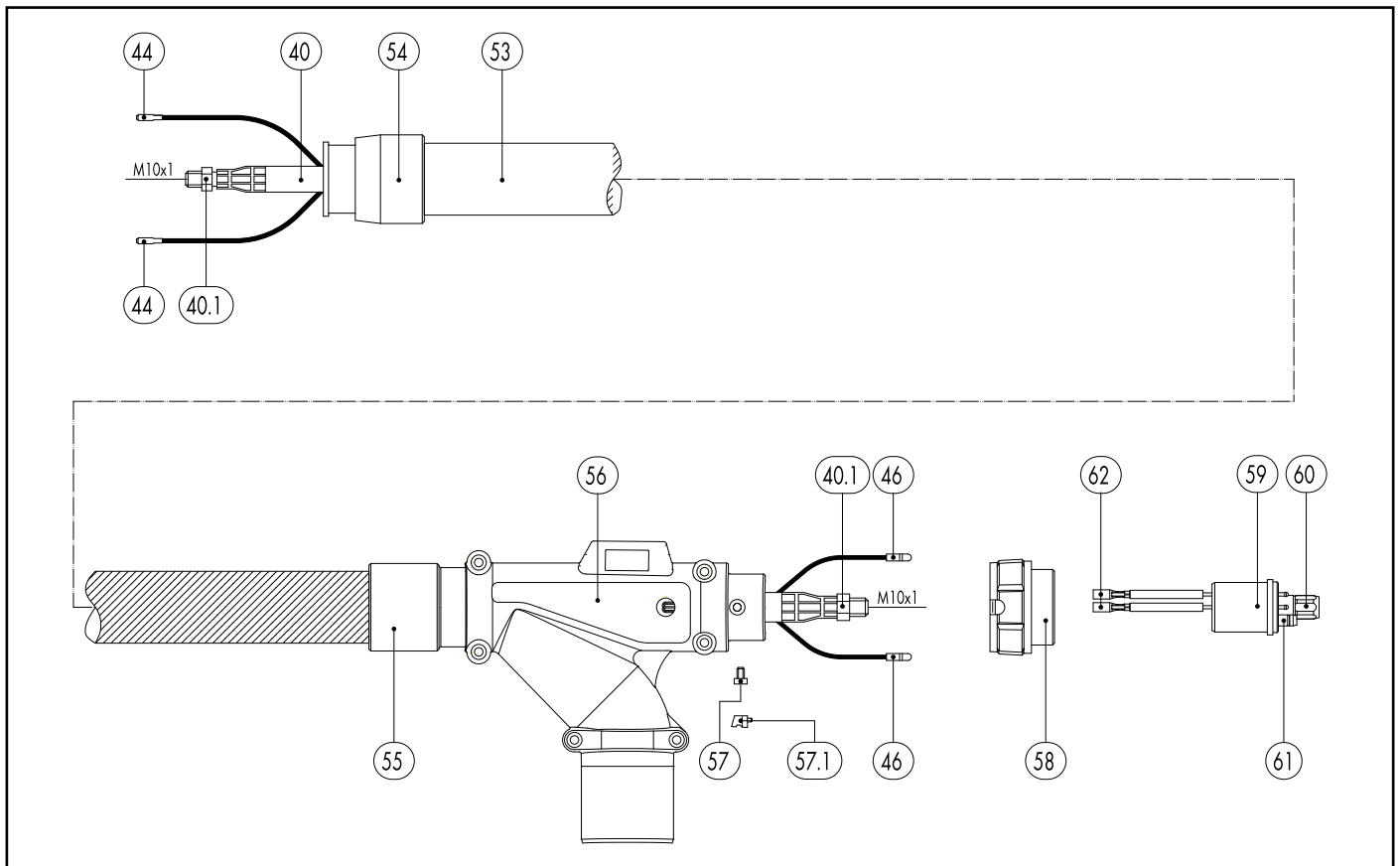


# MIG/MAG Fume Extraction Torches RAB GRIP 36 KD



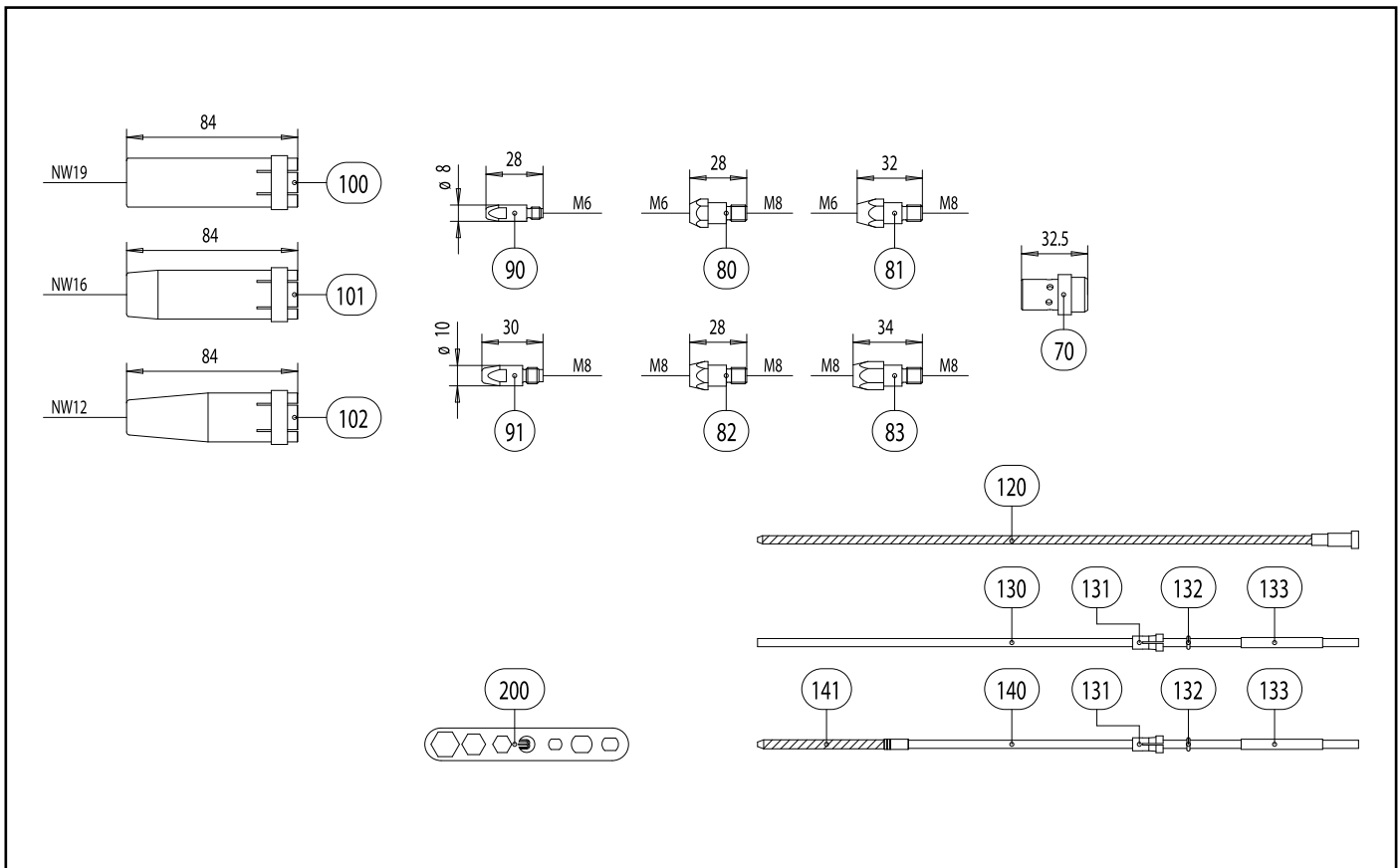
Pos.	Description	Units	Part-No.	Product-group
	<b>Torch (Suction nozzle with spring clip, feed air slide below)</b>			
	RAB GRIP 36 KD; central adaptor KZ-2; 3.00 m		614.3001.1	1620
	RAB GRIP 36 KD; central adaptor KZ-2; 4.00 m		614.3002.1	1620
	RAB GRIP 36 KD; central adaptor KZ-2; 5.00 m		614.3003.1	1620
	<b>Torch (Suction nozzle with Quicklock, feed air slide on top)</b>			
	RAB GRIP 36 KD Quicklock; central adaptor KZ-2; 3.00 m		614.3007.1	1620
	RAB GRIP 36 KD Quicklock; central adaptor KZ-2; 4.00 m		614.3008.1	1620
	RAB GRIP 36 KD Quicklock; central adaptor KZ-2; 5.00 m		614.3009.1	1620
	<b>Swan neck</b>			
1	Swan neck RAB Plus 36 KD		614.2001	1014
1.1	Outer neck		600.2002	1095
	<b>Fume shroud</b>			
2	Fume shroud with spring clip (type 36, 501)		600.2044.1	1602
2.1	Fume shroud (funnel)		602.0040	1602
2.2	Spring clip		600.2037	1095
3	Fume shroud with Quicklock (type 36, 501)		600.3009.1	1602
	<b>Handle RAB GRIP standard</b>			
10	Handle RAB GRIP Standard (feed air slide below)		180.0138.1	1095
10.1	Trigger 2-pole GRIP		185.0101	9010
10.2		10 Pcs.	400.1452.10	9010
	<b>Handle RAB GRIP ZO</b>			
11	Handle RAB GRIP ZO (feed air slide on top)		180.0144.1	1095
11.1			400.1631.1	1095
11.2		10 Pcs.	400.1496.10	1095

# MIG/MAG Fume Extraction Torches RAB GRIP 36 KD



Pos.	Description	Units	Part-No.	Product-group
<b>Cable assembly</b>				
40	Bikox® LW-power cable, R7 for 3.00 m		160.H046.1	1511
40	Bikox® LW-power cable, R7 for 4.00 m		160.H047.1	1511
40	Bikox® LW-power cable, R7 for 5.00 m		160.H048.1	1511
40.1	Hexagon nut M10x1	10 Pcs.	001.0009	9010
44	Trigger wire connector	20 Pcs.	175.0022	9010
46	Plug	20 Pcs.	175.0004	9010
53	Hose 33 black LW 32 R	30 m	109.0043	4050
54	Connector RAB GRIP 15 / 24 / 25 / 36		600.2008	1095
55			600.3005.1	1095
56			501.2591.1	1095
57	Pan head screw M4x6	20 Pcs.	000.0552	9010
57.1	Screw cap 1	20 Pcs.	500.0251	9010
58	Adaptor nut M33x2		500.0213	9010
59	Central adaptor KZ-2		501.0003	1095
60	Coupling nut M10x1	10 Pcs.	501.0082	9010
61	O-Ring 4x1	20 Pcs.	165.0002	9010
62	Trigger wire connector; female	20 Pcs.	175.0003	9010
<b>Wear parts</b>				
70	Gas diffuser, white	10 Pcs.	014.0261	1032
70	Gas diffuser, long life	10 Pcs.	014.0026	1032
70	Gas diffuser, ceramic	10 Pcs.	014.0023	1032
80	Contact tip holder M6; 28.0 mm (short)	10 Pcs.	142.0005	1033
81	Contact tip holder M6; 32.0 mm (long)	10 Pcs.	142.0011	1033
82	Contact tip holder M8; 28.0 mm (short)	10 Pcs.	142.0020	1033
83	Contact tip holder M8; 34.0 mm (long)	10 Pcs.	142.0024	1033

# MIG/MAG Fume Extraction Torches RAB GRIP 36 KD



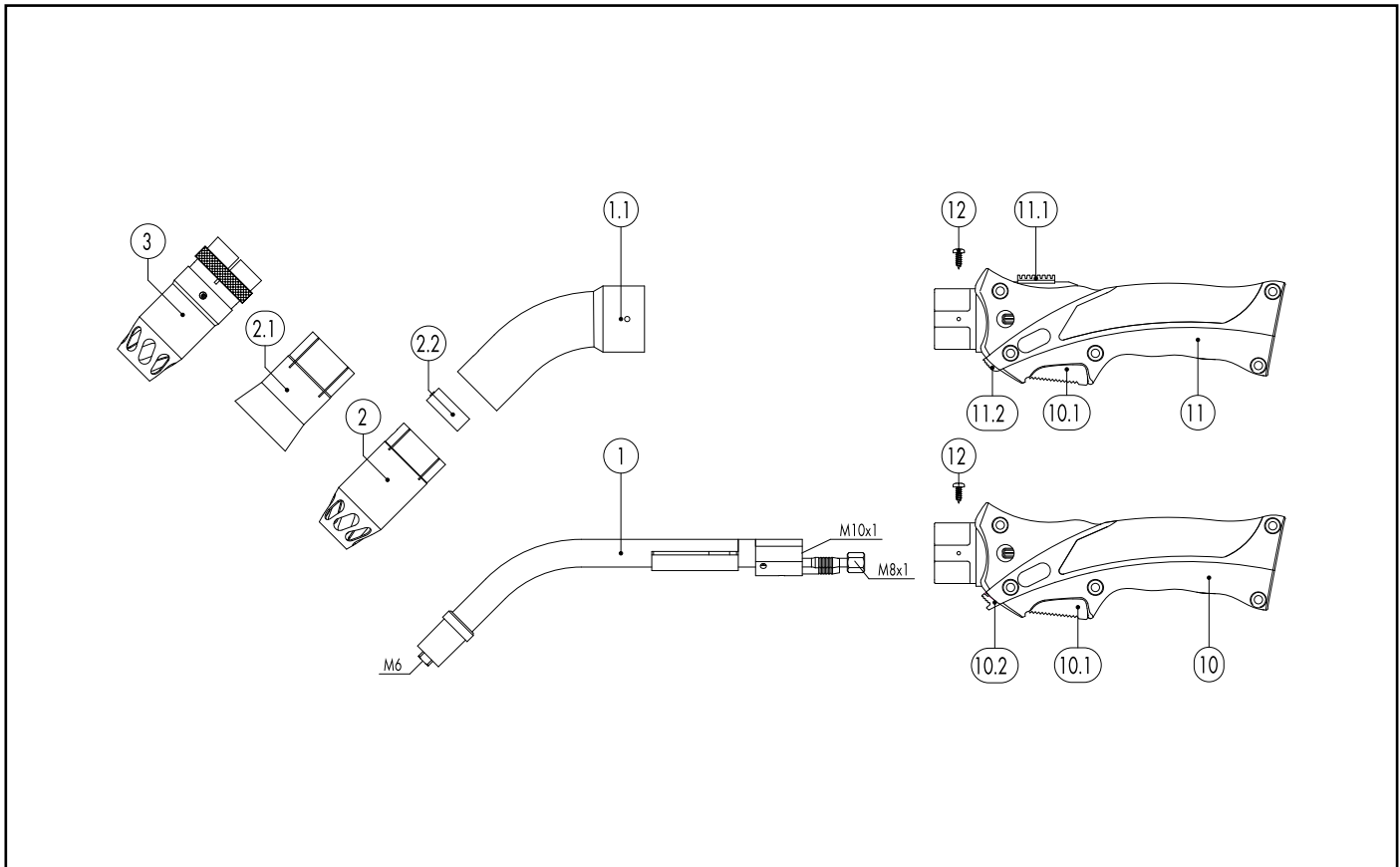
## Pos. Description

Pos.	Description	Units	Part-No.	Product-group
90	Contact tip M6 E-Cu; Ø 0.8 (8x28)	10 Pcs.	140.0051	1030
90	Contact tip M6 E-Cu; Ø 1.0 (8x28)	10 Pcs.	140.0242	1030
90	Contact tip M6 E-Cu; Ø 1.2 (8x28)	10 Pcs.	140.0379	1030
90	Contact tip M6 CuCrZr; Ø 0.8 (8x28)	10 Pcs.	140.0054	1031
90	Contact tip M6 CuCrZr; Ø 1.0 (8x28)	10 Pcs.	140.0245	1031
90	Contact tip M6 CuCrZr; Ø 1.2 (8x28)	10 Pcs.	140.0382	1031
90	Contact tip M6 E-Cu; Ø 0.8 for alu wire (8x28)	10 Pcs.	141.0001	1030
90	Contact tip M6 E-Cu; Ø 1.0 for alu wire (8x28)	10 Pcs.	141.0006	1030
90	Contact tip M6 E-Cu; Ø 1.2 for alu wire (8x28)	10 Pcs.	141.0010	1030
90	Contact tip M6 CuCrZr silver-plated; Ø 0.8 (8x28)	10 Pcs.	147.0054	1031
90	Contact tip M6 CuCrZr silver-plated; Ø 1.0 (8x28)	10 Pcs.	147.0245	1031
90	Contact tip M6 CuCrZr silver-plated; Ø 1.2 (8x28)	10 Pcs.	147.0382	1031
91	Contact tip M8 E-Cu; Ø 0.8 (10x30)	10 Pcs.	140.0114	1030
91	Contact tip M8 E-Cu; Ø 1.0 (10x30)	10 Pcs.	140.0313	1030
91	Contact tip M8 E-Cu; Ø 1.2 (10x30)	10 Pcs.	140.0442	1030
91	Contact tip M8 CuCrZr; Ø 0.8 (10x30)	10 Pcs.	140.0117	1031
91	Contact tip M8 CuCrZr; Ø 1.0 (10x30)	10 Pcs.	140.0316	1031
91	Contact tip M8 CuCrZr; Ø 1.2 (10x30)	10 Pcs.	140.0445	1031
91	Contact tip M8 E-Cu; Ø 0.8 for alu wire (10x30)	10 Pcs.	141.0003	1030
91	Contact tip M8 E-Cu; Ø 1.0 for alu wire (10x30)	10 Pcs.	141.0008	1030
91	Contact tip M8 E-Cu; Ø 1.2 for alu wire (10x30)	10 Pcs.	141.0015	1030
91	Contact tip M8 CuCrZr silver-plated; Ø 0.8 (10x30)	10 Pcs.	147.0117	1031
91	Contact tip M8 CuCrZr silver-plated; Ø 1.0 (10x30)	10 Pcs.	147.0316	1031
91	Contact tip M8 CuCrZr silver-plated; Ø 1.2 (10x30)	10 Pcs.	147.0445	1031
100	Gas nozzle; cylindrical; ND Ø 19.0	10 Pcs.	145.0045	1037
101	Gas nozzle; conical; ND Ø 16.0	10 Pcs.	145.0078	1037



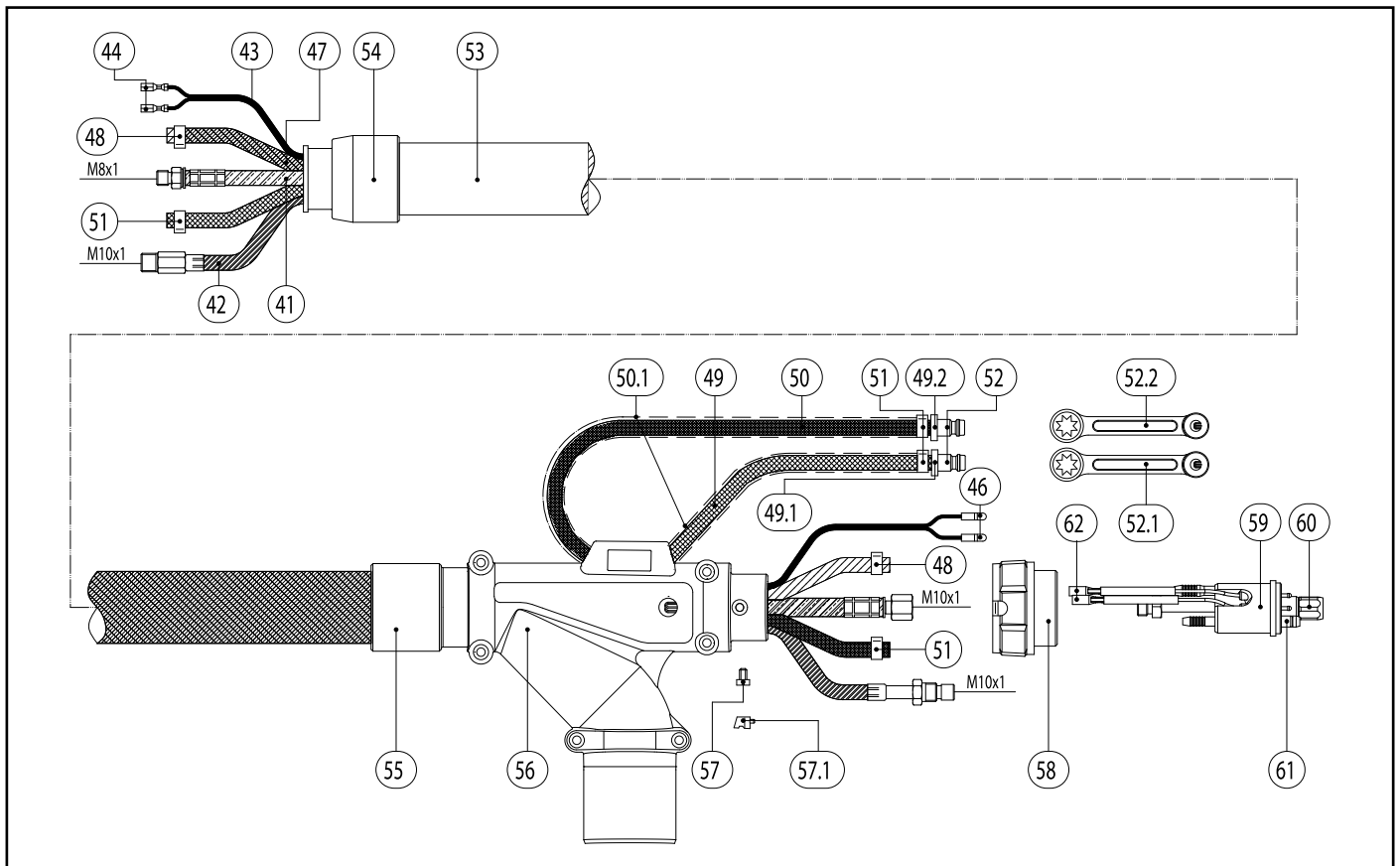


# MIG/MAG Fume Extraction Torches RAB GRIP 240 D



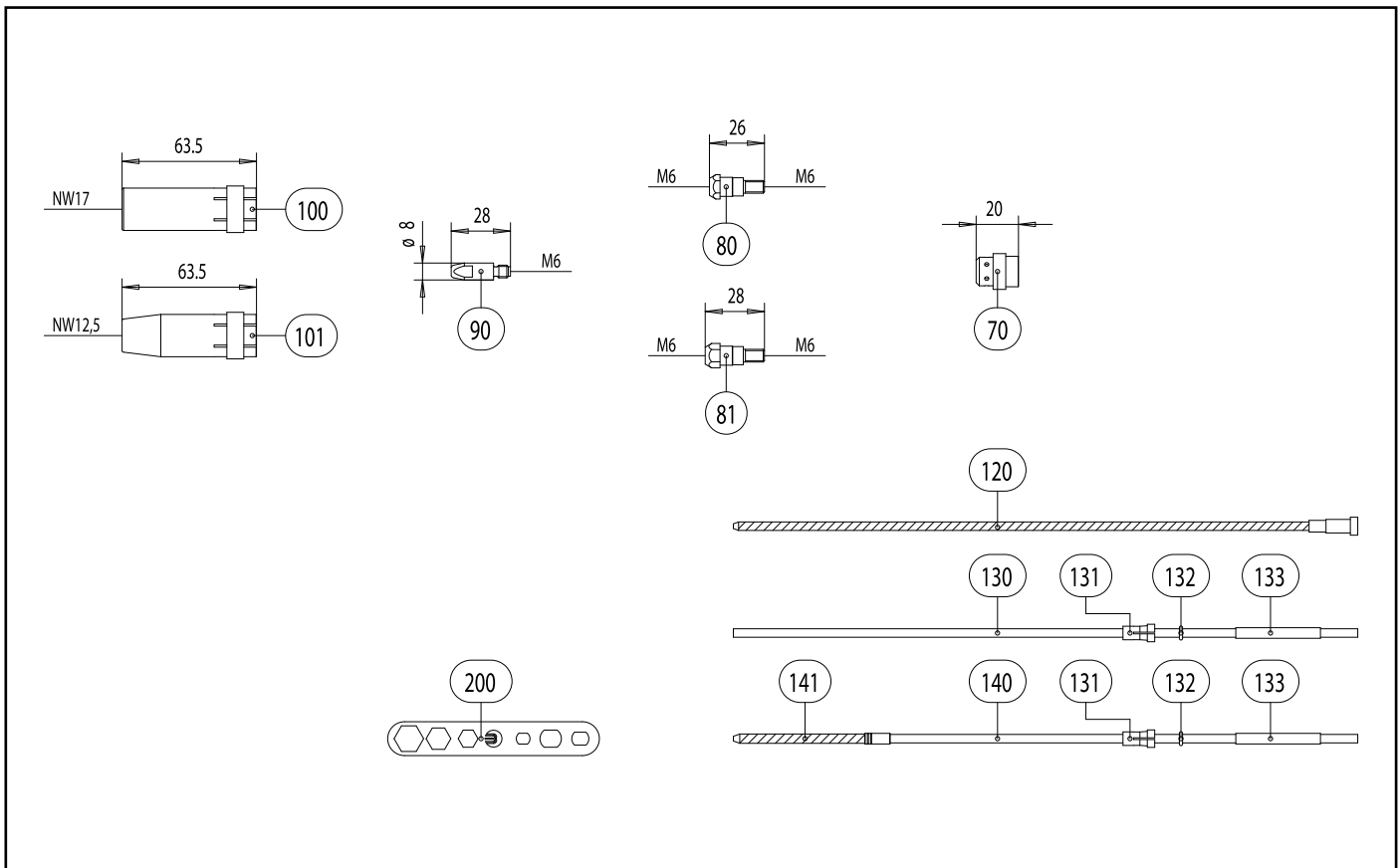
Pos.	Description	Units	Part-No.	Product-group
	<b>Torch (Suction nozzle with spring clip, feed air slide below)</b>			
	RAB GRIP 240 D; central adaptor WZ-2; 3.00 m		623.3003.1	1620
	RAB GRIP 240 D; central adaptor WZ-2; 4.00 m		623.3004.1	1620
	RAB GRIP 240 D; central adaptor WZ-2; 5.00 m		623.3005.1	1620
	<b>Torch (Suction nozzle with Quicklock, feed air slide on top)</b>			
	RAB GRIP 240 D Quicklock; central adaptor WZ-2; 3.00 m		623.3011.1	1620
	RAB GRIP 240 D Quicklock; central adaptor WZ-2; 4.00 m		623.3012.1	1620
	RAB GRIP 240 D Quicklock; central adaptor WZ-2; 5.00 m		623.3013.1	1620
	<b>Swan neck</b>			
1	Swan neck RAB GRIP 240 D; 45° bent		623.3001.1	1009
1.1	Outer neck		600.2002	1095
	<b>Fume shroud</b>			
2	Fume shroud with spring clip (type 24, 240)		600.2045.1	1602
2.1	Fume shroud (funnel)		612.0023	1602
2.2	Spring clip		600.2028	1095
3	Fume shroud with Quicklock (type 24, 240)		600.3018.1	1602
	<b>Handle RAB GRIP standard</b>			
10	Handle RAB GRIP Standard (feed air slide below)		180.0138.1	1095
10.1	Trigger 2-pole GRIP		185.0101	9010
10.2		10 Pcs.	400.1452.10	9010
	<b>Handle RAB GRIP ZO</b>			
11	Handle RAB GRIP ZO (feed air slide on top)		180.0144.1	1095
11.1			400.1631.1	1095
11.2		10 Pcs.	400.1496.10	1095

# MIG/MAG Fume Extraction Torches RAB GRIP 240 D



Pos.	Description	Units	Part-No.	Product-group
<b>Cable assembly</b>				
41	Power cable ABIMIG® GRIP / RAB GRIP (PVC) for 3.00 m		115.0581	1012
41	Power cable ABIMIG® GRIP / RAB GRIP (PVC) for 4.00 m		115.0582	1012
41	Power cable ABIMIG® GRIP / RAB GRIP (PVC) for 5.00 m		115.0583	1012
42	Wire conduit RAB GRIP cpl. For 5.00 m		154.0002	1012
42	Wire conduit RAB GRIP cpl. For 3.00 m		154.0003	1012
42	Wire conduit RAB GRIP cpl. For 4.00 m		154.0004	1012
43	Control cable 2-pole	200 m	100.0019	4050
44	Trigger wire connector	20 Pcs.	175.0022	9010
46	Plug	20 Pcs.	175.0004	9010
47	Hose 30 black Ø 4.9x1.5	100 m	109.0040	4050
48	Hose clamp Ø 8.7 mm	100 Pcs.	171.0002	9010
49	Hose 47 blue Ø 5.5x1.5	100 m	109.0057	4050
49.1	Code colour ring blue	20 Pcs.	501.2167	9010
49.2	Code colour ring red	20 Pcs.	501.2166	9010
50	Hose 46 red Ø 5.5x1.5 cpl. with plug nipple ND 5; 0.6 m		103.0114	1095
	Hose 46 red Ø 5.5x1.5	100 m	109.0056	4050
50.1		10 Pcs.	110.0053.10	1095
51	Hose clamp Ø 9.0 mm with ring (mark 9.5)	100 Pcs.	173.0001	9010
52	Plug nipple ND 5 mm / Ø 6.0 mm	20 Pcs.	501.0114	9010
52.1	Fastener cap red	20 Pcs.	501.2423	1095
52.2	Fastener cap blue	20 Pcs.	501.2424	1095
53	Hose 34 black LW 38 R	30 m	109.0044	4050
54	Connector RAB GRIP 240 / 501		600.0080	1095
55			600.3006.1	1095
56			501.2591.1	1095

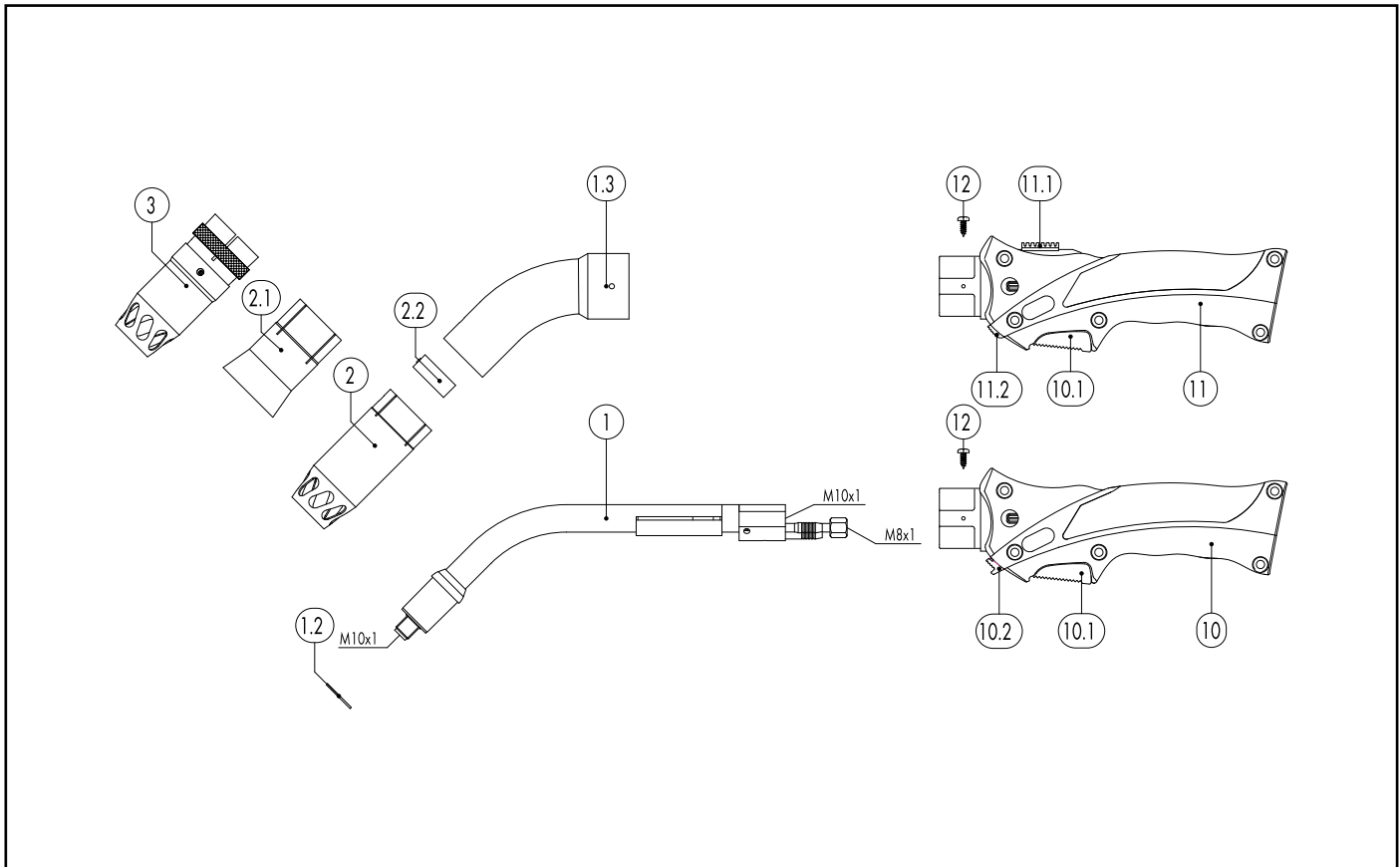
# MIG/MAG Fume Extraction Torches RAB GRIP 240 D



Pos.	Description	Units	Part-No.	Product-group
57	Pan head screw M4x6	20 Pcs.	000.0552	9010
57.1	Screw cap 1	20 Pcs.	500.0251	9010
58	Adaptor nut M33x2		500.0213	9010
59	Central adaptor WZ-2		501.0015	9010
60	Coupling nut M10x1	10 Pcs.	501.0082	9010
61	O-Ring 4x1	20 Pcs.	165.0002	9010
62	Trigger wire connector; female	20 Pcs.	175.0003	9010
<b>Wear parts</b>				
70	Gas diffuser, white	10 Pcs.	012.0183	1032
70	Gas diffuser, silicone rubber	10 Pcs.	012.0243	1032
80	Contact tip holder M6; 26.0 mm	10 Pcs.	142.0003	1033
81	Contact tip holder M6; 28.0 mm	10 Pcs.	142.0010	1033
90	Contact tip M6 E-Cu; Ø 0.8 (8x28)	10 Pcs.	140.0051	1030
90	Contact tip M6 E-Cu; Ø 1.0 (8x28)	10 Pcs.	140.0242	1030
90	Contact tip M6 E-Cu; Ø 1.2 (8x28)	10 Pcs.	140.0379	1030
90	Contact tip M6 CuCrZr; Ø 0.8 (8x28)	10 Pcs.	140.0054	1031
90	Contact tip M6 CuCrZr; Ø 1.0 (8x28)	10 Pcs.	140.0245	1031
90	Contact tip M6 CuCrZr; Ø 1.2 (8x28)	10 Pcs.	140.0382	1031
90	Contact tip M6 E-Cu; Ø 0.8 for alu wire (8x28)	10 Pcs.	141.0001	1030
90	Contact tip M6 E-Cu; Ø 1.0 for alu wire (8x28)	10 Pcs.	141.0006	1030
90	Contact tip M6 E-Cu; Ø 1.2 for alu wire (8x28)	10 Pcs.	141.0010	1030
90	Contact tip M6 CuCrZr silver-plated; Ø 0.8 (8x28)	10 Pcs.	147.0054	1031
90	Contact tip M6 CuCrZr silver-plated; Ø 1.0 (8x28)	10 Pcs.	147.0245	1031
90	Contact tip M6 CuCrZr silver-plated; Ø 1.2 (8x28)	10 Pcs.	147.0382	1031
100	Gas nozzle; cylindrical; ND Ø 17.0	10 Pcs.	145.0047	1036
101	Gas nozzle; conical; ND Ø 12.5	10 Pcs.	145.0080	1036

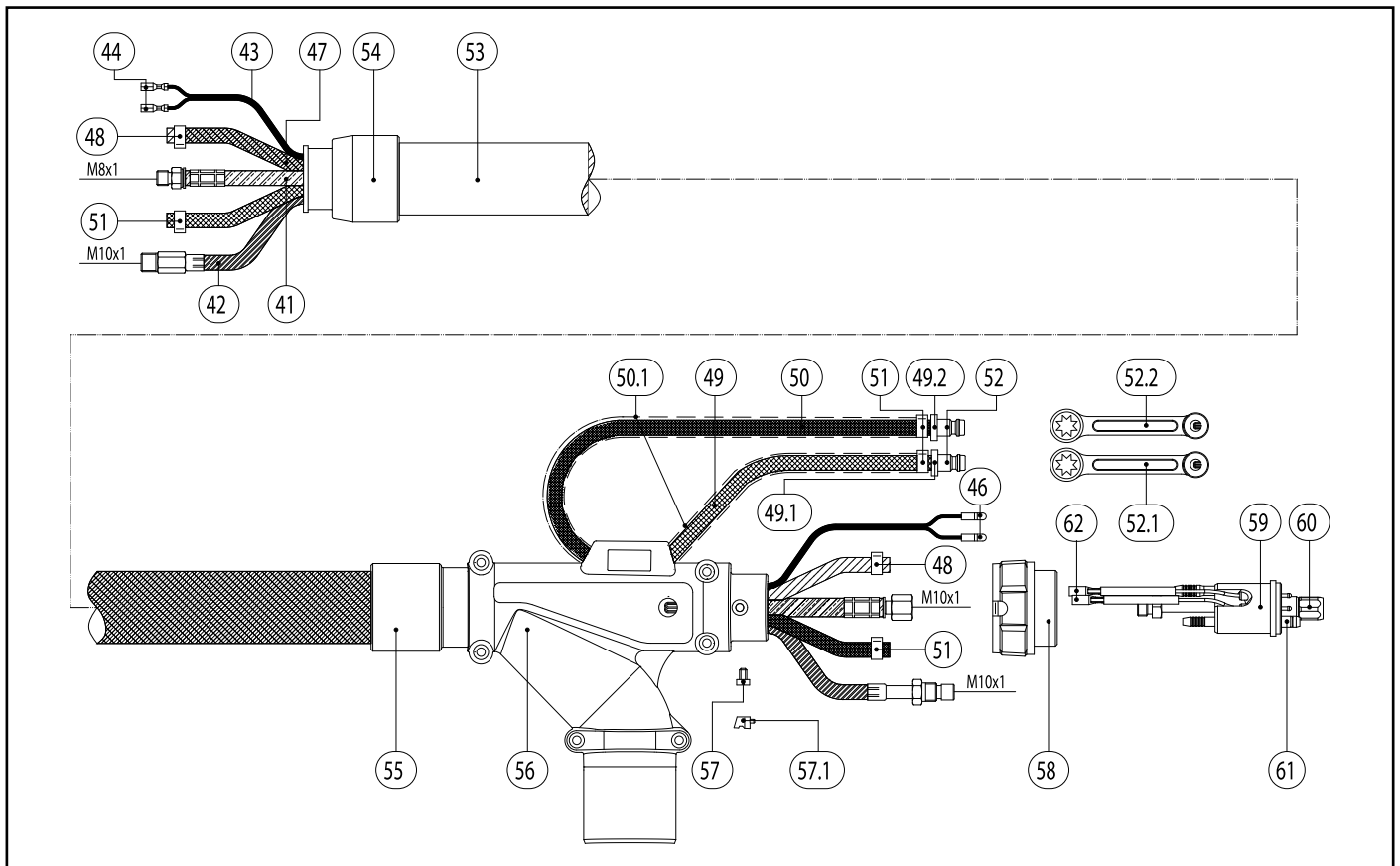


# MIG/MAG Fume Extraction Torches RAB GRIP 501 / 501 D



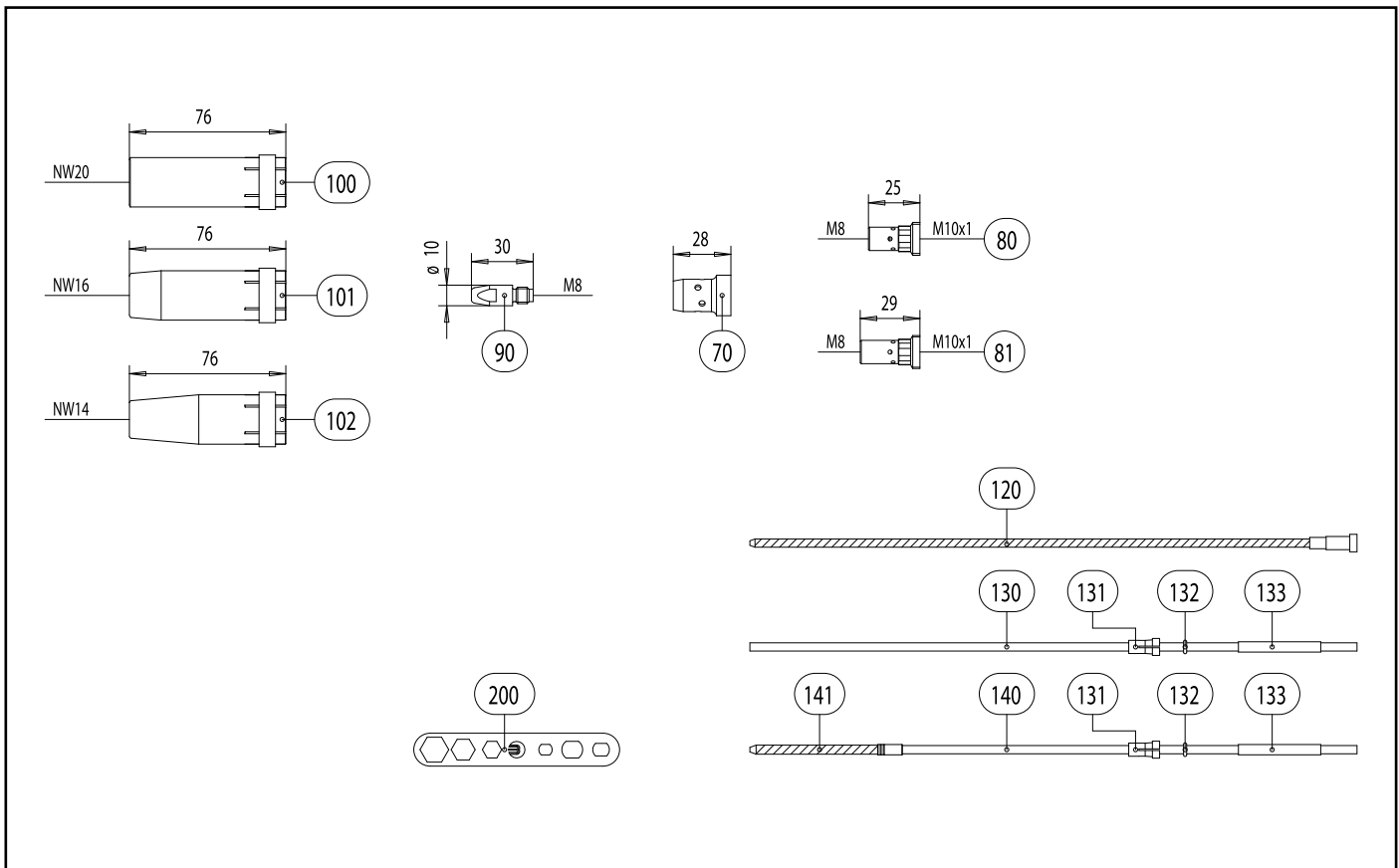
Pos.	Description	Units	Part-No.	Product-group
	<b>Torch D (Suction nozzle with spring clip, feed air slide below)</b>			
	RAB GRIP 501 D; central adaptor WZ-2; 3.00 m		634.3003.1	1620
	RAB GRIP 501 D; central adaptor WZ-2; 4.00 m		634.3004.1	1620
	RAB GRIP 501 D; central adaptor WZ-2; 5.00 m		634.3005.1	1620
	<b>Torch (Suction nozzle with spring clip, feed air slide below)</b>			
	RAB GRIP 501; central adaptor WZ-2; 3.00 m		632.3003.1	1620
	RAB GRIP 501; central adaptor WZ-2; 4.00 m		632.3004.1	1620
	RAB GRIP 501; central adaptor WZ-2; 5.00 m		632.3005.1	1620
	<b>Torch D (Suction nozzle with Quicklock, feed air slide on top)</b>			
	RAB GRIP 501 D Quicklock; central adaptor WZ-2; 3.00 m		634.3030.1	1620
	RAB GRIP 501 D Quicklock; central adaptor WZ-2; 4.00 m		634.3031.1	1620
	RAB GRIP 501 D Quicklock; central adaptor WZ-2; 5.00 m		634.3032.1	1620
	<b>Torch (Suction nozzle with Quicklock, feed air slide on top)</b>			
	RAB GRIP 501 Quicklock; central adaptor WZ-2; 3.00 m		632.3015.1	1620
	RAB GRIP 501 Quicklock; central adaptor WZ-2; 4.00 m		632.3016.1	1620
	RAB GRIP 501 Quicklock; central adaptor WZ-2; 5.00 m		632.3017.1	1620
	<b>Swan neck (D-Version)</b>			
1	Swan neck RAB GRIP 501 D; 45j bent		634.3001.1	1009
1.2	Insulator	20 Pcs.	030.0019	1095
1.3	Outer neck		600.2002	1095
	<b>Swan neck</b>			
	Swan neck RAB GRIP 501; 45j bent		632.3001.1	1009
	Insulator	20 Pcs.	030.0019	1095
	Outer neck RAB 501		632.2009	1095
	<b>Fume shroud</b>			
2	Fume shroud with spring clip (type 36, 501)		600.2044.1	1602

# MIG/MAG Fume Extraction Torches RAB GRIP 501 / 501 D



Pos.	Description	Units	Part-No.	Product-group
2.1	Fume shroud (funnel)		612.0023	1602
2.2	Spring clip		600.2028	1095
3	Fume shroud with Quicklock (type 36, 501)		600.3009.1	1602
<b>Handle RAB GRIP standard</b>				
10	Handle RAB GRIP Standard (feed air slide below)		180.0138.1	1095
10.1	Trigger 2-pole GRIP		185.0101	9010
10.2		10 Pcs.	400.1452.10	9010
<b>Handle RAB GRIP ZO</b>				
11	Handle RAB GRIP ZO (feed air slide on top)		180.0144.1	1095
11.1			400.1631.1	1095
11.2		10 Pcs.	400.1496.10	1095
<b>Cable assembly</b>				
41	Power cable ABIMIG® GRIP / RAB GRIP (PVC) for 3.00 m		115.0581	1012
41	Power cable ABIMIG® GRIP / RAB GRIP (PVC) for 4.00 m		115.0582	1012
41	Power cable ABIMIG® GRIP / RAB GRIP (PVC) for 5.00 m		115.0583	1012
42	Wire conduit RAB GRIP cpl. For 5.00 m		154.0002	1012
42	Wire conduit RAB GRIP cpl. For 3.00 m		154.0003	1012
42	Wire conduit RAB GRIP cpl. For 4.00 m		154.0004	1012
43	Control cable 2-pole	200 m	100.0019	4050
44	Trigger wire connector	20 Pcs.	175.0022	9010
46	Plug	20 Pcs.	175.0004	9010
47	Hose 30 black ~ 4.9x1.5	100 m	109.0040	4050
48	Hose clamp ~ 8.7 mm	100 Pcs.	171.0002	9010
49	Hose 47 blue ~ 5.5x1.5	100 m	109.0057	4050
49.1	Code colour ring blue	20 Pcs.	501.2167	9010
49.2	Code colour ring red	20 Pcs.	501.2166	9010

# MIG/MAG Fume Extraction Torches RAB GRIP 501 / 501 D



Pos.	Description	Units	Part-No.	Product-group
50	Hose 46 red - 5.5x1.5 cpl. with plug nipple ND 5; 0.6 m		103.0114	1095
	Hose 46 red - 5.5x1.5	100 m	109.0056	4050
50.1		10 Pcs.	110.0053.10	1095
51	Hose clamp - 9.0 mm with ring (mark 9.5)	100 Pcs.	173.0001	9010
52	Plug nipple ND 5 mm / - 6.0 mm	20 Pcs.	501.0114	9010
52.1	Fastener cap red	20 Pcs.	501.2423	1095
52.2	Fastener cap blue	20 Pcs.	501.2424	1095
53	Hose 34 black LW 38 R	30 m	109.0044	4050
54	Connector RAB GRIP 240 / 501		600.0080	1095
55			600.3006.1	1095
56			501.2591.1	1095
57	Pan head screw M4x6	20 Pcs.	000.0552	9010
57.1	Screw cap 1	20 Pcs.	500.0251	9010
58	Adaptor nut M33x2		500.0213	9010
59	Central adaptor WZ-2		501.0015	9010
60	Coupling nut M10x1	10 Pcs.	501.0082	9010
61	O-Ring 4x1	20 Pcs.	165.0002	9010
62	Trigger wire connector; female	20 Pcs.	175.0003	9010
	<b>Wear parts RAB GRIP 501 / 501 D</b>			
70	Gas diffuser, white	10 Pcs.	030.0145	1032
70	Gas diffuser, long life	10 Pcs.	030.0037	1032
70	Gas diffuser, ceramic	10 Pcs.	030.0190	1032
	<b>Wear parts RAB GRIP 501 D</b>			
80	Contact tip holder M8; 25.0 mm (short)	10 Pcs.	142.0022	1033
81	Contact tip holder M8; 29.0 mm (long)	10 Pcs.	142.0027	1033



# MIG/MAG Fume Extraction Torches RAB GRIP 501 / 501 D

Pos.	Description	Units	Part-No.	Product-group
	<b>Wear parts RAB GRIP 501 / 501 D</b>			
90	Contact tip M8 E-Cu; $\bar{\text{~}}$ 1.0 (10x30)	10 Pcs.	140.0313	1030
90	Contact tip M8 E-Cu; $\bar{\text{~}}$ 1.2 (10x30)	10 Pcs.	140.0442	1030
90	Contact tip M8 E-Cu; $\bar{\text{~}}$ 1.6 (10x30)	10 Pcs.	140.0587	1030
90	Contact tip M8 CuCrZr; $\bar{\text{~}}$ 1.0 (10x30)	10 Pcs.	140.0316	1031
90	Contact tip M8 CuCrZr; $\bar{\text{~}}$ 1.2 (10x30)	10 Pcs.	140.0445	1031
90	Contact tip M8 CuCrZr; $\bar{\text{~}}$ 1.6 (10x30)	10 Pcs.	140.0590	1031
90	Contact tip M8 E-Cu; $\bar{\text{~}}$ 1.0 for alu wire (10x30)	10 Pcs.	141.0008	1030
90	Contact tip M8 E-Cu; $\bar{\text{~}}$ 1.2 for alu wire (10x30)	10 Pcs.	141.0015	1030
90	Contact tip M8 E-Cu; $\bar{\text{~}}$ 1.6 for alu wire (10x30)	10 Pcs.	141.0022	1030
90	Contact tip M8 CuCrZr silver-plated; $\bar{\text{~}}$ 1.0 (10x30)	10 Pcs.	147.0316	1031
90	Contact tip M8 CuCrZr silver-plated; $\bar{\text{~}}$ 1.2 (10x30)	10 Pcs.	147.0445	1031
90	Contact tip M8 CuCrZr silver-plated; $\bar{\text{~}}$ 1.6 (10x30)	10 Pcs.	147.0590	1031
100	Gas nozzle; cylindrical; ND $\bar{\text{~}}$ 20.0	10 Pcs.	145.0051	1037
101	Gas nozzle; conical; ND $\bar{\text{~}}$ 16.0	10 Pcs.	145.0085	1037
102	Gas nozzle; tapered; ND $\bar{\text{~}}$ 14.0	10 Pcs.	145.0132	1037
120	Guide spiral liner blank; 2.0/4.5; for wire $\bar{\text{~}}$ 1.0 - 1.2; for 3.00 m		122.0031	1034
120	Guide spiral liner blank; 2.0/4.5; for wire $\bar{\text{~}}$ 1.0 - 1.2; for 4.00 m		122.0036	1034
120	Guide spiral liner blank; 2.0/4.5; for wire $\bar{\text{~}}$ 1.0 - 1.2; for 5.00 m		122.0039	1034
120	Guide spiral liner blank; 2.5/4.5; for wire $\bar{\text{~}}$ 1.6; for 3.00 m		122.0056	1034
120	Guide spiral liner blank; 2.5/4.5; for wire $\bar{\text{~}}$ 1.6; for 4.00 m		122.0060	1034
120	Guide spiral liner blank; 2.5/4.5; for wire $\bar{\text{~}}$ 1.6; for 5.00 m		122.0063	1034
130	PTFE core liner 2.0/4.0; red; wire electrode $\bar{\text{~}}$ 1.0 - 1.2; for 3.00 m		126.0021	1034
130	PTFE core liner 2.0/4.0; red; wire electrode $\bar{\text{~}}$ 1.0 - 1.2; for 4.00 m		126.0026	1034
130	PTFE core liner 2.0/4.0; red; wire electrode $\bar{\text{~}}$ 1.0 - 1.2; for 5.00 m		126.0028	1034
130	PTFE core liner 2.7/4.7; yellow; wire electrode $\bar{\text{~}}$ 1.6; for 3.00 m		126.0039	1034
130	PTFE core liner 2.7/4.7; yellow; wire electrode $\bar{\text{~}}$ 1.6; for 4.00 m		126.0042	1034
130	PTFE core liner 2.7/4.7; yellow; wire electrode $\bar{\text{~}}$ 1.6; for 5.00 m		126.0045	1034
130	PTFE carbon core liner 2.0/4.0; wire electrode $\bar{\text{~}}$ 1.0 - 1.2; for 3.00 m		127.0005	1034
130	PTFE carbon core liner 2.0/4.0; wire electrode $\bar{\text{~}}$ 1.0 - 1.2; for 4.00 m		127.0007	1034
130	PTFE carbon core liner 2.0/4.0; wire electrode $\bar{\text{~}}$ 1.0 - 1.2; for 5.00 m		127.0008	1034
130	PTFE carbon core liner 2.7/4.7; wire electrode $\bar{\text{~}}$ 1.6; for 3.00 m		127.0010	1034
130	PTFE carbon core liner 2.7/4.7; wire electrode $\bar{\text{~}}$ 1.6; for 4.00 m		127.0012	1034
130	PTFE carbon core liner 2.7/4.7; wire electrode $\bar{\text{~}}$ 1.6; for 5.00 m		127.0013	1034
131	Nipple for core liner at $\bar{\text{~}}$ 4.0	20 Pcs.	131.0001	1095
131	Nipple for core liner at $\bar{\text{~}}$ 4.7	20 Pcs.	131.0002	1095
132	O-Ring 3.5x1.5	20 Pcs.	165.0008	9010
133	Guide tube for core liners up to $\bar{\text{~}}$ 4.0 (200 mm)	10 Pcs.	129.0461	1095
140	Combined wire guide cpl. polyamide/brass; wire $\bar{\text{~}}$ 1.0 - 1.2; for 3.00 m		128.M002	1034
140	Combined wire guide cpl. polyamide/brass; wire $\bar{\text{~}}$ 1.0 - 1.2; for 4.00 m		128.M003	1034
140	Combined wire guide cpl. polyamide/brass; wire $\bar{\text{~}}$ 1.0 - 1.2; for 5.00 m		128.M004	1034
141	Brass spiral made up with sleeve (200 mm)	10 Pcs.	001.0305	1095
200	Spanner Standard		191.0001	9010