

xFUME® ADVANCED**Powerful extraction system for up to two manual welding workstations****Ideally suited for xFUME® extraction torches**

In combination with ABICOR BINZEL fume extraction torches, the mobile extraction system xFUME® ADVANCED extracts welding fumes directly where they arise.

- Particularly powerful thanks to high-vacuum technology with more than 16,000 Pa negative pressure
- Adjustable air flow
- Two connections for extraction hoses
- For flexible and comfortable working at up to two workstations with one system
- Automatic filter cleaning by compressed air impulse
- Highly efficient thanks to the cartridge filter, which filters out up to 99.76% of all dust > 0.1 µm
- Automatic start/stop via current clamp for reduced operating costs and less wear and tear
- Compact and robust design with castors for mobile use and easy transport

**Technical details****Technical data**

| Description | Value |
|--------------------|------------------------------------|
| Engine performance | 2 x 0.8 kW |
| Voltage | 115 V, 50/60 Hz 230 V, 50/60 Hz |
| 115 V | without plug |
| 230 V | plug included |
| Cable length | 5 m |
| Max. air flow | ~ 260 m³/h |
| Max. vacuum | ~ 16,000 Pa |
| Noise level | < 72 dB (A) |
| Weight | 40 kg |

Filter

| Type | Material | Surface | Filter material classification | Efficiency |
|------------------|-----------------------|------------|--------------------------------|------------|
| Cartridge filter | HISTec >> PTFE coated | 2 x 0.8 m² | H12 | > 99.76% |



xFUME® ADVANCED

Detail

Order information

Extraction unit xFUME® ADVANCED EU version

| Voltage | Order no. |
|---------------|------------|
| 230V, 50/60Hz | 601.0192.1 |
| 115V, 50/60Hz | 601.0233.1 |

Engine

| Voltage | Order no. |
|---------|------------|
| 230 V | 601.0109.1 |
| 115 V | 601.0110.1 |

Filter

| Type | Order no. |
|------------------|------------|
| Cartridge filter | 601.0111.1 |

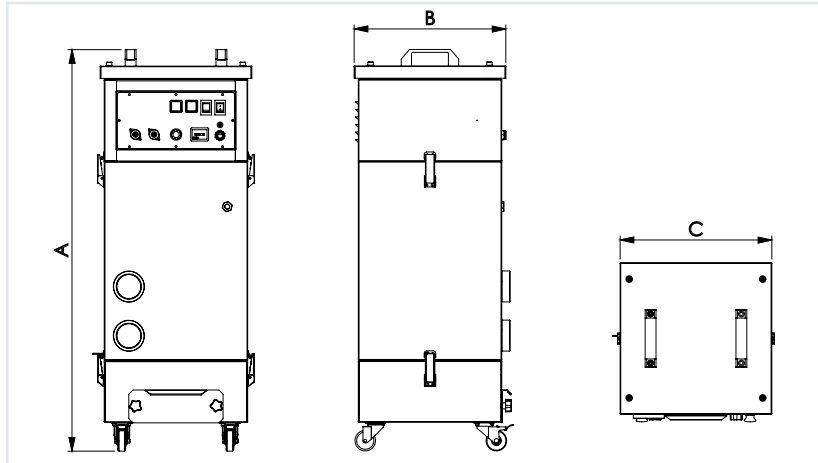
Extraction unit xFUME® ADVANCED W3

| Voltage | Order no. |
|---------------|------------|
| 230V, 50/60Hz | 601.0138.1 |
| 115V, 50/60Hz | 601.0139.1 |

Carbon brush

| Voltage | Order no. |
|---------|------------|
| 230 V | 601.0108.1 |
| 115 V | 601.0118.1 |

Dimensions



Dimensions

| Side | Size |
|------|--------|
| A | 900 mm |
| B | 370 mm |
| C | 370 mm |



Alexander Binzel Schweisstechnik GmbH & Co. KG
 Kiesacker · 35418 Buseck · GERMANY
 T +49 64 08 / 59-0
 F +49 64 08 / 59-191
 info@binzel-abicor.com



www.binzel-abicor.com