

ERGOCUT CB 70



CE EN60974-7



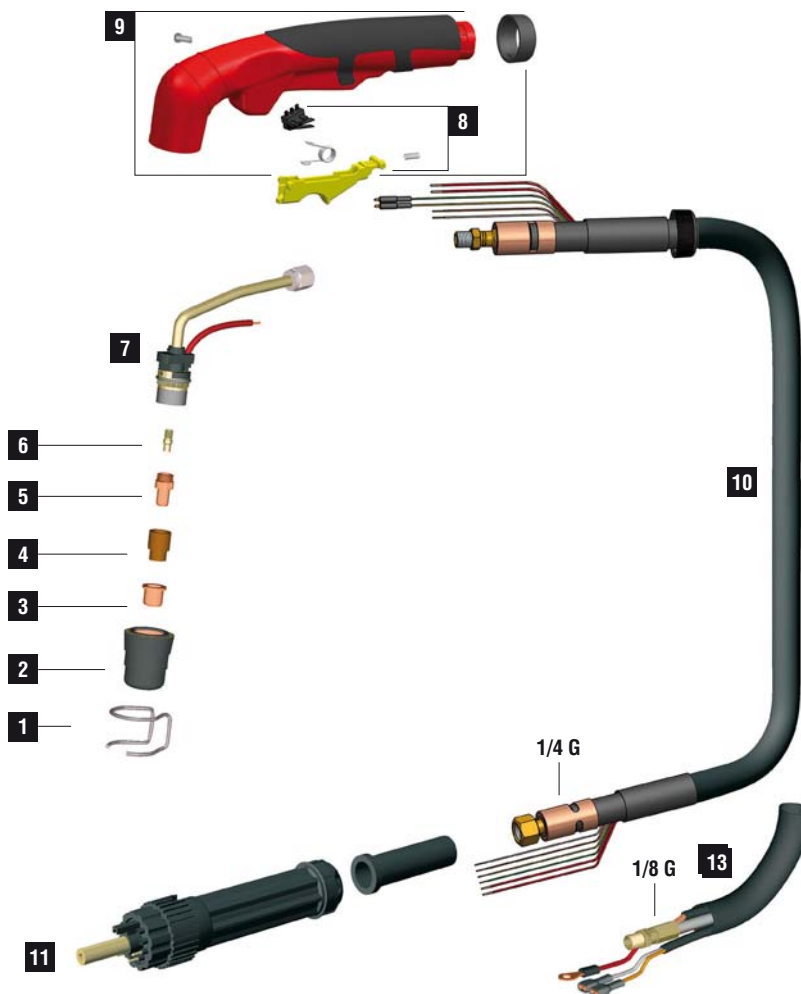
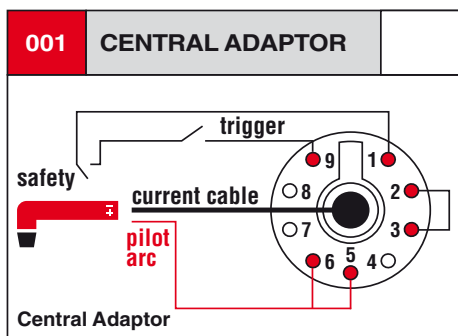
CODE	↔	
------	---	--

PAE106M-061-BA3	6 m	19.7'	1/8 GAS
-----------------	-----	-------	---------

PAE106M-001-BA3	6 m	19.7'	CENTRAL
-----------------	-----	-------	---------

TECHNICAL DATA		
----------------	--	--

HF		
1 m	0,6 kg	1,32 lb
V PEAK	500	
5 bar		
170 l/min		
X 60%	70A	
X 100%	50A	
18÷24 mm		



	CODE		Description	Ø	Length	CONTACT				DRAG		GOUGING	REF		
1	CV0010		plasma stand off guide		18,5 mm								743.0149 0618	10	
1	CV0073		plasma stand off guide	24,2 mm	31 mm									1	
1	CV1117		plasma stand off guide		26 mm								1405	2	
2	PC0032				31,5 mm								5710171	2	
3	PD0063-10		50 A	1,0 mm	.040"	26,8 mm								10	
3	PD0063-11		60 A	1,1 mm	.043"	26,8 mm									10
3	PD0063-12		70 A	1,2 mm	.045"	26,8 mm									10
3	PD0085-98		50 A	0,98 mm	.038"	26,2 mm							1366	10	
3	PD0088-06		20 A	0,65 mm	.025"	12,3 mm								10	
3	PD0088-08		40 A	0,8 mm	.30"	12,3 mm								10	
3	PD0088-10		50 A	1,0 mm	.040"	12,3 mm							1396	10	
3	PD0088-11		60 A	1,1 mm	.043"	12,3 mm								10	
3	PD0088-12		70 A	1,2 mm	.045"	12,3 mm							1308	10	
4	PE0007		plasma diffuser										20101	2	
5	CV0081													1	
5	PR0063		plasma electrode		17,8 mm								1402	10	
5	PR0064		plasma electrode		34,8 mm								1403	10	
6	FH0211														
6	FH0215														

	CODE		Description	Quantity
7	EA0201		O-ring	10
7	PF0065		plasma torch head	1
8	TP0400		kit trigger	1
9	TP0403		handle kit	1

	CODE		Description	Quantity
10	PH4101		6 m - 1/4 G	1
11	CY0002		cable support	1
11	FY0014		central adaptor	1
13	PH4107		6 m - 1/8 G	1

STANDARD

CONTACT SHORT

CONTACT LONG

DRAG SHORT

DRAG LONG

PLASMA CB 70

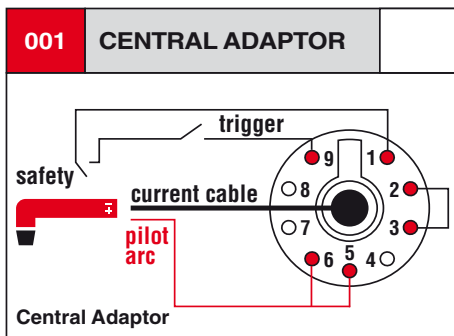
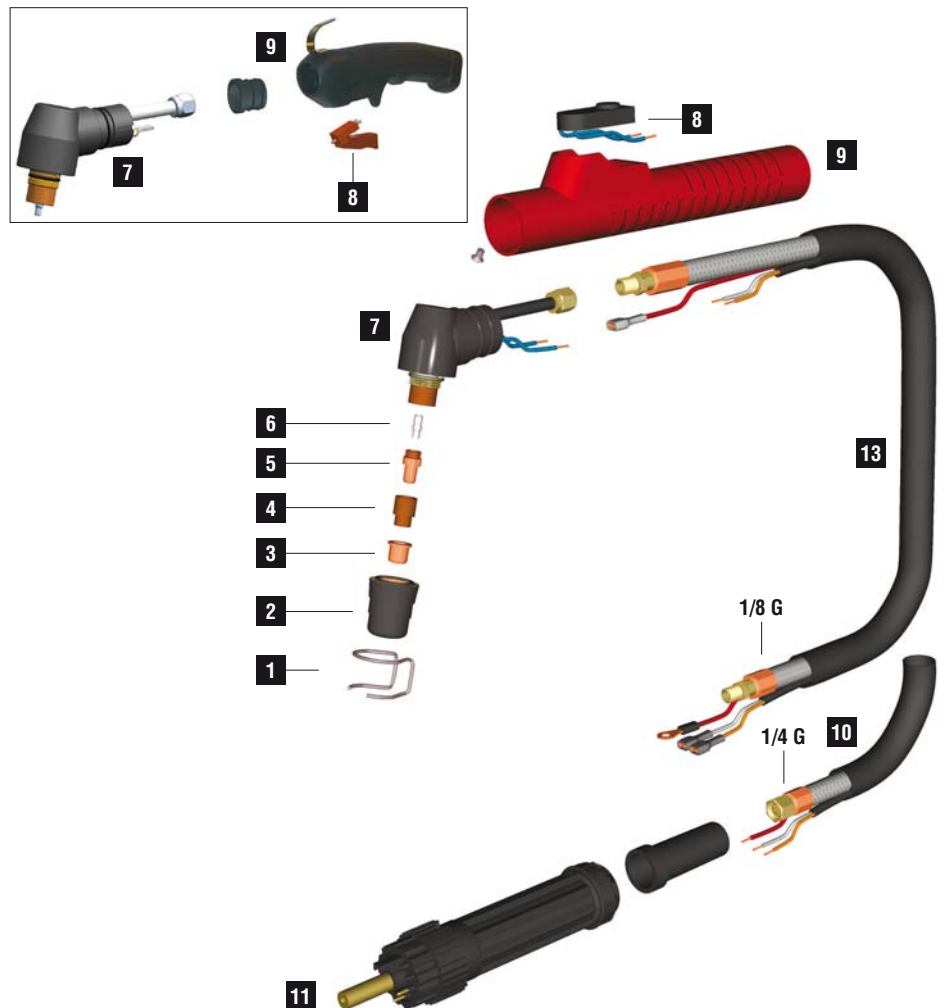


CE EN60974-7



CODE	↔		
PA1270	6 m	19.7'	1/8 GAS
PA1272	6 m	19.7'	CENTRAL

TECHNICAL DATA		
HF		
1m	0,6 kg	1.43 lb
V PEAK	500	
5 bar		
170 l/min		
X 60%	70A	
X 100%	50A	
18÷24 mm		



	CODE		Ø	↔	CONTACT				DRAG		GOUGING	REF	
1	CV0010		plasma stand off guide		18,5 mm							743.0149 0618	10
1	CV0073		plasma stand off guide	24,2 mm	31 mm								1
1	CV1117		plasma stand off guide		26 mm							1405	2
2	PC0032				31,5 mm							5710171	2
3	PD0063-10		50 A	1,0 mm	.040"	26,8 mm							10
3	PD0063-11		60 A	1,1 mm	.043"	26,8 mm							10
3	PD0063-12		70 A	1,2 mm	.045"	26,8 mm							10
3	PD0085-98		50 A	0,98 mm	.038"	26,2 mm						1366	10
3	PD0088-06		20 A	0,65 mm	.025"	12,3 mm							10
3	PD0088-08		40 A	0,8 mm	.030"	12,3 mm							10
3	PD0088-10		50 A	1,0 mm	.040"	12,3 mm						1396	10
3	PD0088-11		60 A	1,1 mm	.043"	12,3 mm							10
3	PD0088-12		70 A	1,2 mm	.045"	12,3 mm						1308	10
4	PE0007			plasma diffuser									20101
5	CV0081												1
5	PR0063		plasma electrode		17,8 mm							1402	10
5	PR0064		plasma electrode		34,8 mm							1403	10
6	FH0211												
6	FH0215												

	CODE			
7	EA0221			10
7	PF0030		plasma torch head Ø 28	1
7	PF1020		plasma torch head Ø 24	1
8	BX0020		trigger for TP0076	10
8	BX0070		trigger for TP0088	10
9	BW0342		Ø 24 - Ø 28	1
9	TP0076		handle kit	1
9	TP0088		handle kit	1

	CODE			
10	PH0170		6 m - 1/4 G	1
10	PH0207		power cable 6 m - 1/4 G	1
10	QB0097		cover (mt)	100
11	CY0002		cable support	1
11	FY0014		central adaptor	1
13	PH0160		power cable 6 m - 1/8 G	1
13	PH0172		6 m - 1/8 G	1

STANDARD

CONTACT SHORT

CONTACT LONG

DRAG SHORT

DRAG LONG

AUTO CUT CB 70P



CE EN60974-7

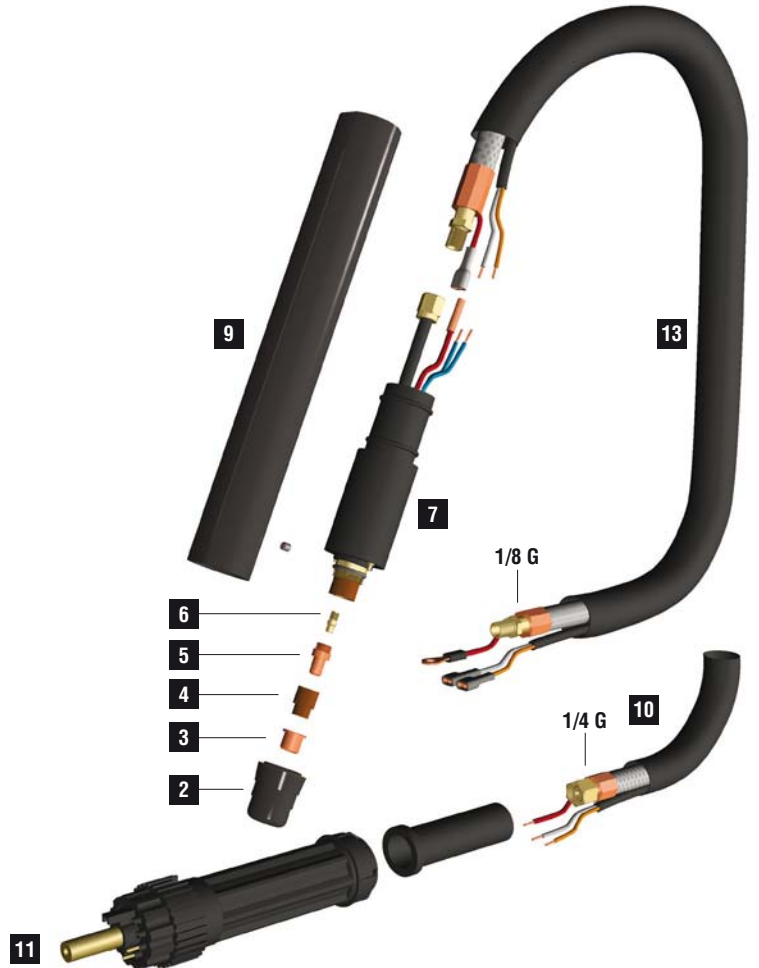
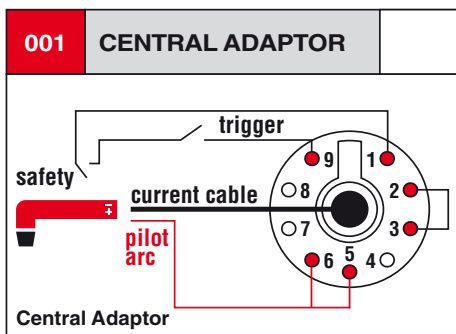
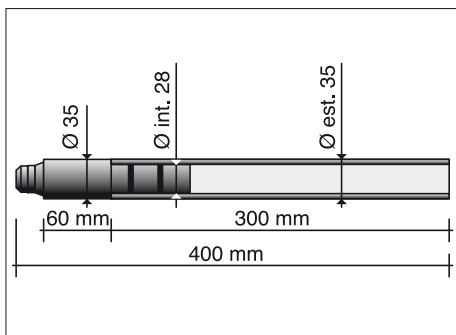
CODE	↔	
------	---	--

PA1290	6 m	19.7'	 1/8 GAS
--------	-----	-------	-------------

PA1291	6 m	19.7'	 CENTRAL
--------	-----	-------	-------------

TECHNICAL DATA		
----------------	--	--

	HF	
	0,6 kg	1.43 lb
	500	
	5 bar	
	170 l/min	
	70A	
	50A	
	18÷24 mm	



	CODE		Ø		CONTACT		REF		
2	PC0032				31,5 mm		5710171	2	
3	PD0088-06		20 A	0,65 mm	.025"	12,3 mm		10	
3	PD0088-08		40 A	0,8 mm	.030"	12,3 mm		10	
3	PD0088-10		50 A	1,0 mm	.040"	12,3 mm		1396	
3	PD0088-11		60 A	1,1 mm	.043"	12,3 mm		10	
3	PD0088-12		70 A	1,2 mm	.045"	12,3 mm		1308	
4	PE0007		plasma diffuser					20101	2
5	PR0063		plasma electrode		17,8 mm			1402	10
6	FH0211								

	CODE	
7	EA0221	10
7	PF0028	1
7	PT0031	1
9	TP0061	1
10	PH0170	1

	CODE	
10	QB0097	100
11	CY0002	1
11	FY0014	1
13	PH0172	1

STANDARD

CONTACT SHORT

CONTACT LONG